



US00D786314S

(12) **United States Design Patent** (10) **Patent No.:** **US D786,314 S**
Okuyama et al. (45) **Date of Patent:** **** May 9, 2017**

(54) **INSTRUMENT PANEL FOR A WORKING VEHICLE**

(71) Applicant: **YANMAR CO., LTD.**, Osaka-shi, Osaka (JP)

(72) Inventors: **Kiyoyuki Okuyama**, Yamagata (JP); **Satoru Mishio**, Chikugo (JP); **Keiichi Nishihara**, Chikugo (JP); **Kohei Okazaki**, Chikugo (JP)

(73) Assignee: **YANMAR CO., LTD.**, Osaka (JP)

(**) Term: **15 Years**

(21) Appl. No.: **29/570,316**

(22) Filed: **Jul. 7, 2016**

(30) **Foreign Application Priority Data**

Jan. 8, 2016 (JP) 2016-000375

(51) **LOC (10) Cl.** **15-03**

(52) **U.S. Cl.**
USPC **D15/28**

(58) **Field of Classification Search**
USPC D15/14, 15, 17, 22-26, 28, 31, 33;
D12/192; 180/90, 69.24, 69.2, 69.21;
296/70, 301, 72, 191, 192, 193.03
CPC B62D 33/0617; B62D 33/06; B60K 37/00
See application file for complete search history.

(56) **References Cited**

U.S. PATENT DOCUMENTS

D256,018 S * 7/1980 Stone D12/192
4,447,860 A * 5/1984 Stone B62D 33/0617
180/90
D276,422 S * 11/1984 Montgomery D12/192

D326,662 S * 6/1992 Holm D15/17
D427,613 S * 7/2000 Altmann D15/28
D471,564 S * 3/2003 Hohnl D15/28
D519,132 S * 4/2006 Laux D15/28
D546,841 S * 7/2007 McCarren, Jr. D15/28
D549,739 S * 8/2007 Stephens D15/28
D652,063 S * 1/2012 Takeuchi D15/28
D652,433 S * 1/2012 Takeuchi D15/28
D692,466 S * 10/2013 Takagi D15/17
D697,534 S * 1/2014 Uchida D15/17
D707,722 S * 6/2014 Higashikawa D15/15
D726,228 S * 4/2015 Fukuchi D15/28
D730,947 S * 6/2015 Fukuchi D15/28
D754,211 S * 4/2016 Moore D15/28

* cited by examiner

Primary Examiner — Mark Goodwin

(74) *Attorney, Agent, or Firm* — Andrew F. Young, Esq.;
Lackenbach Siegel, LLP

(57) **CLAIM**

The ornamental design for an instrument panel for a working vehicle, as shown and described.

DESCRIPTION

FIG. 1 is a front perspective view of an instrument panel for a working vehicle of the present invention.
FIG. 2 is a front elevation view of FIG. 1
FIG. 3 is rear elevation view of FIG. 1
FIG. 4 is a top plan view of FIG. 1.
FIG. 5 is a bottom plan view of FIG. 1.
FIG. 6 is a left side elevation view of FIG. 1; and,
FIG. 7 is a right side elevation view of FIG. 1.
In the drawings, the broken lines depict unclaimed environmental subject matter and form no part of the claim. No claim is made to portions that are not shown. The surface is lined for contour only, and no claim is made a particular texture.

1 Claim, 7 Drawing Sheets

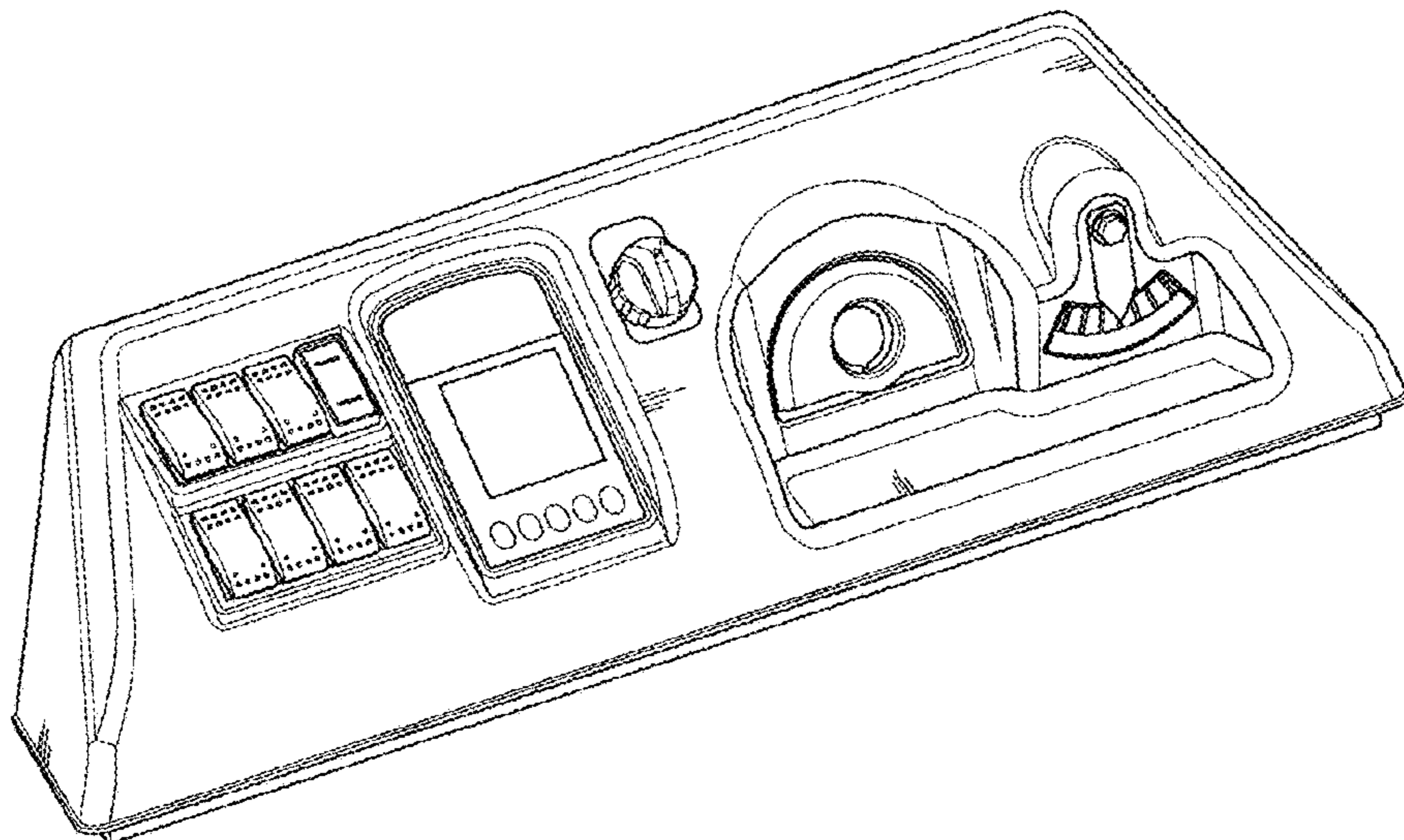


FIG. 1

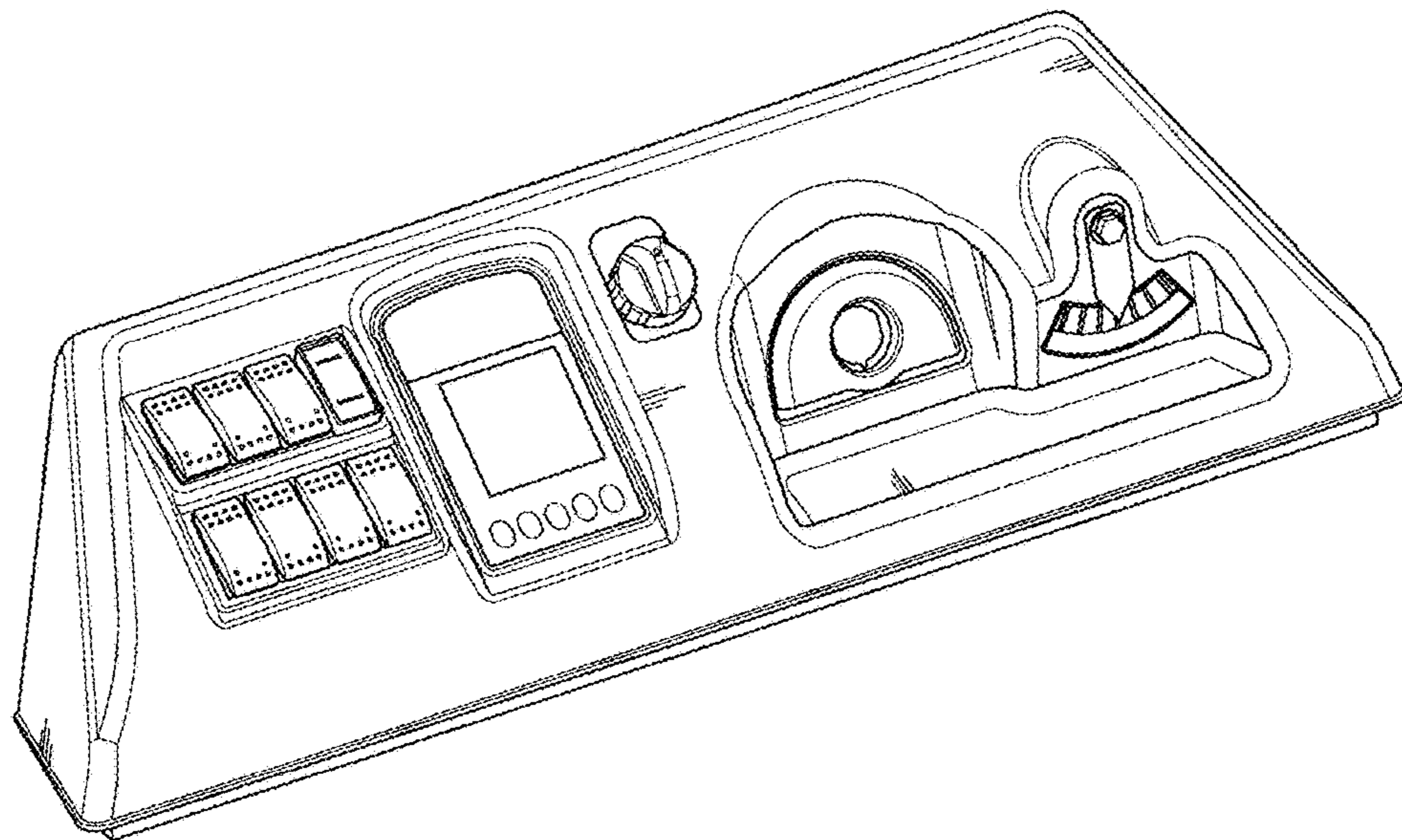


FIG. 2

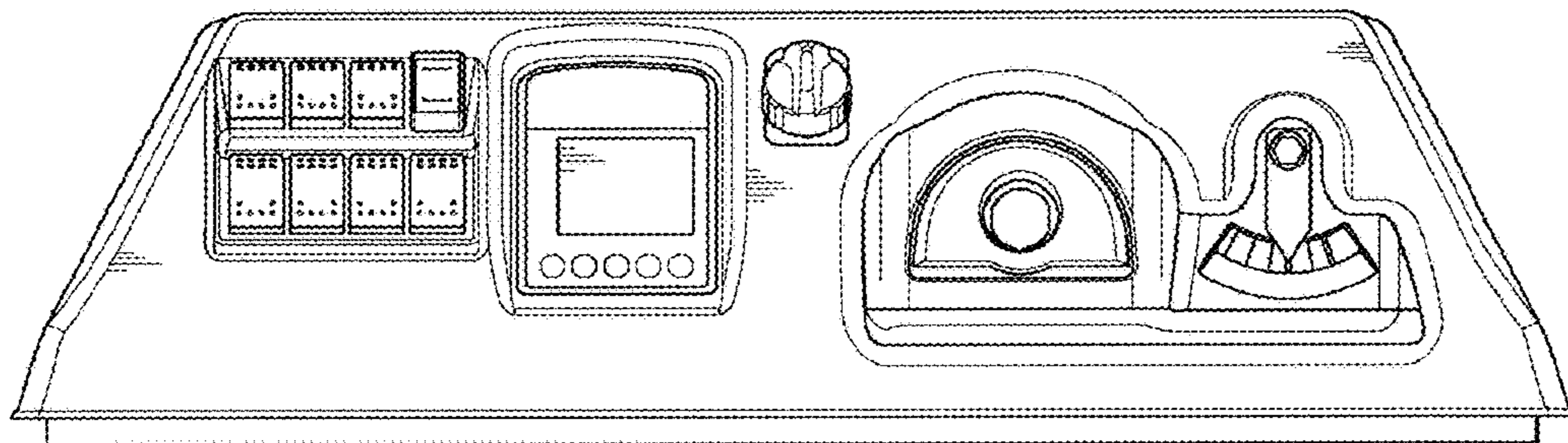


FIG. 3

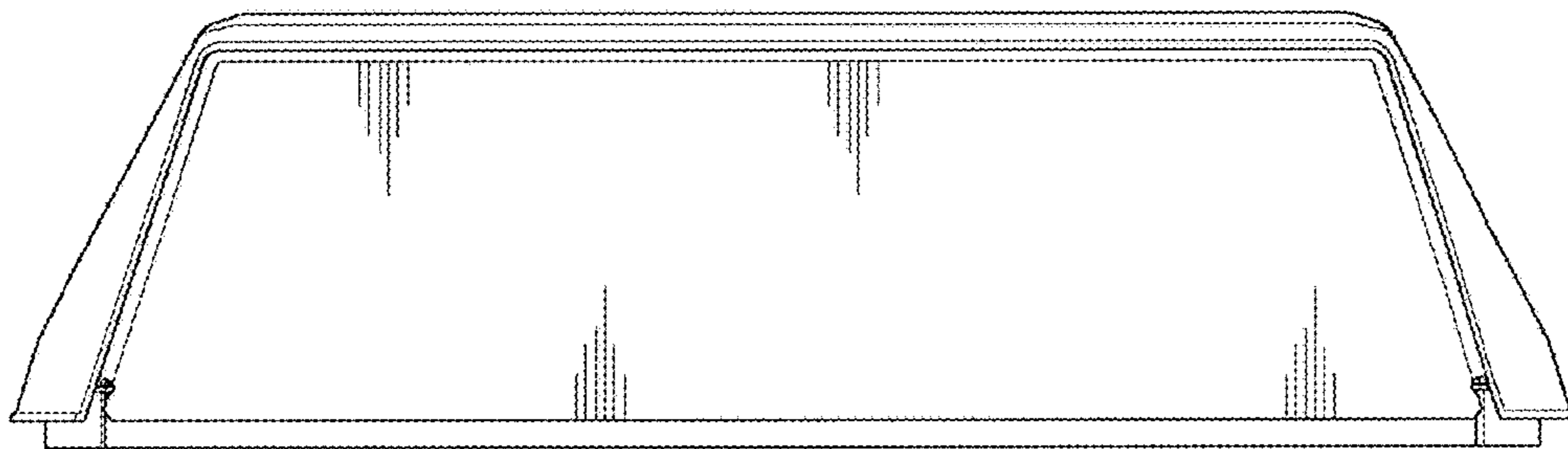


FIG. 4

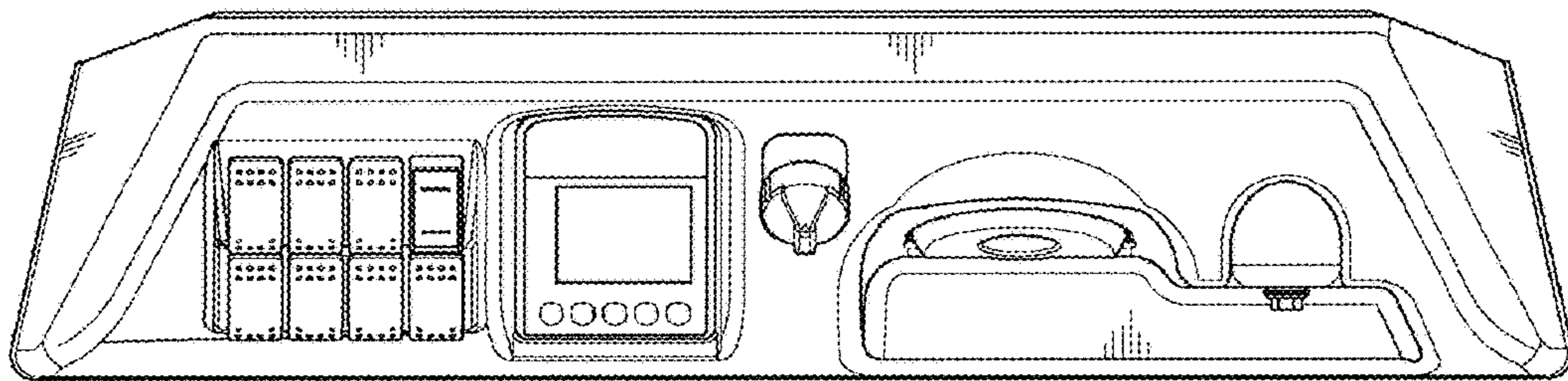


FIG. 5

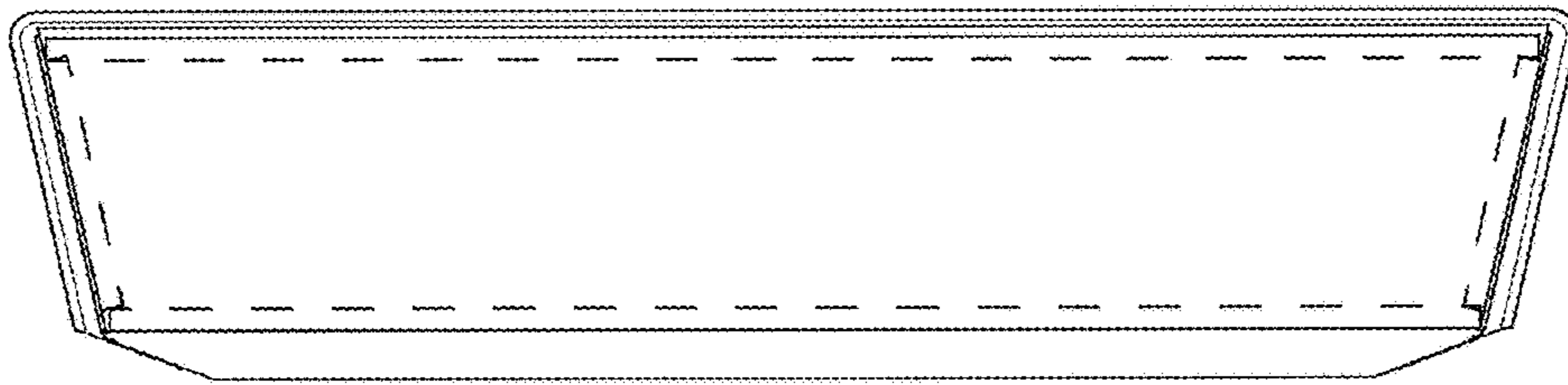


FIG. 6

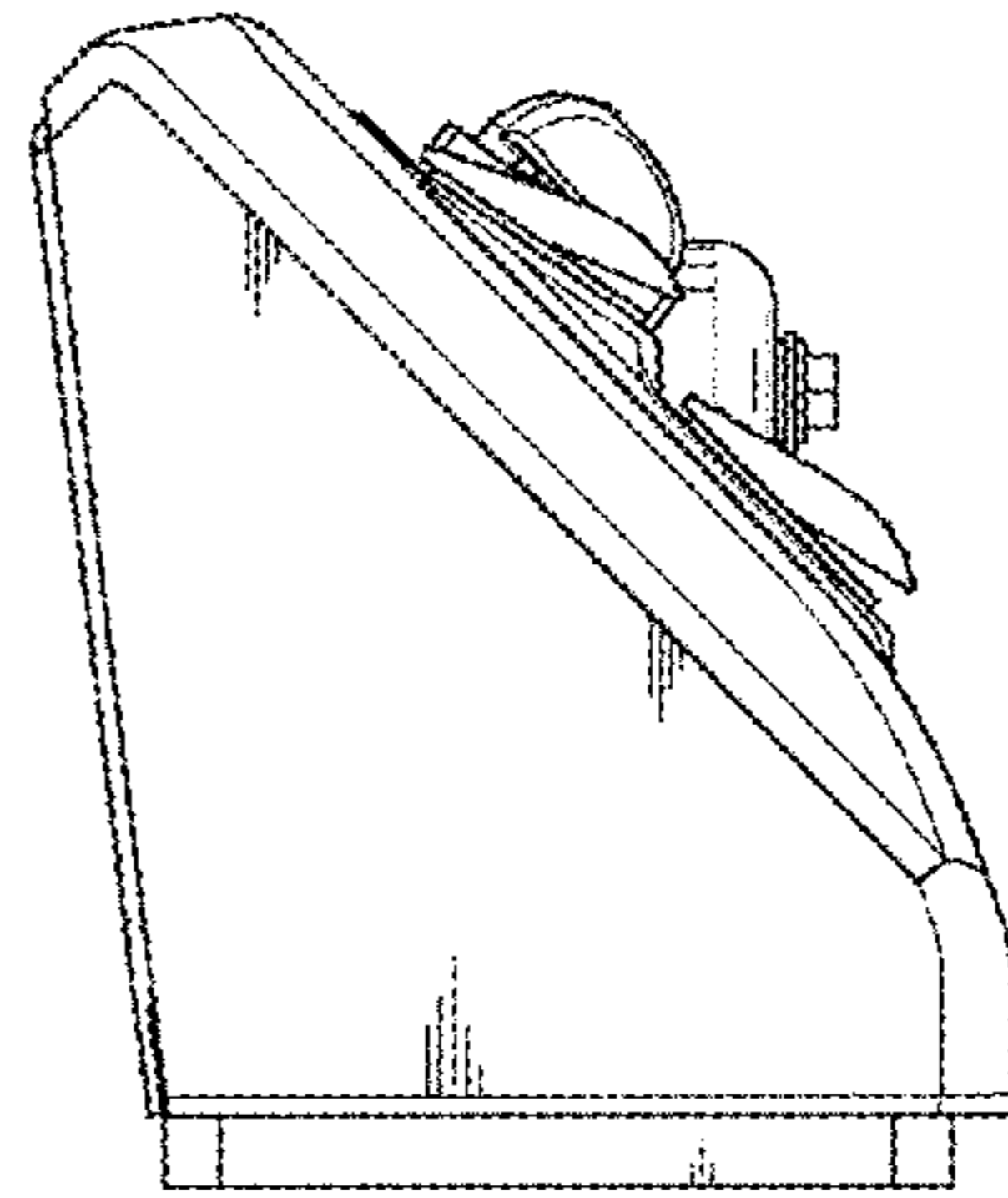


FIG. 7

