



US00D786313S

(12) **United States Design Patent**  
**Okuyama et al.**

(10) **Patent No.:** **US D786,313 S**

(45) **Date of Patent:** **\*\* May 9, 2017**

(54) **TRACKED CARRIER**

(71) Applicant: **YANMAR CO., LTD.**, Chayamachi,  
Kita-ku, Osaka-shi, Osaka (JP)

(72) Inventors: **Kiyoyuki Okuyama**, Yamagata (JP);  
**Satoru Mishio**, Chikugo (JP); **Keiichi Nishihara**, Chikugo (JP); **Kohei Okazaki**, Chikugo (JP)

(73) Assignee: **YANMAR CO., LTD.**, Osaka (JP)

(\*\*) Term: **15 Years**

(21) Appl. No.: **29/570,315**

(22) Filed: **Jul. 7, 2016**

(30) **Foreign Application Priority Data**

Jan. 8, 2016 (JP) ..... 2016-000377

(51) **LOC (10) Cl.** ..... **15-03**

(52) **U.S. Cl.**  
USPC ..... **D15/28**

(58) **Field of Classification Search**

USPC ..... D15/10, 23, 24, 30, 28; D12/3, 14, 97,  
D12/98, 1, 2, 12, 13, 15, 16, 86, 87;  
180/333; 172/781; 280/183-185, DIG. 5,  
280/1, 16, 82, 88, 90, 14, 756; 296/1.01,  
296/24.33, 181.1, 181.2, 181.4, 187.01,  
296/187.09, 187.11, 187.12, 190.08, 192,  
296/193.05, 193.11, 181.5  
CPC ..... B62D 35/00; B62D 39/00; B62D 47/00;  
B62D 47/003; B62D 63/02; B62D  
33/0617; B62D 33/00; A01B 59/02; B60L  
2200/22; B60Y 2200/86; B60Y 2200/91;  
B60R 21/13

See application file for complete search history.

(56) **References Cited**

**U.S. PATENT DOCUMENTS**

4,126,202 A \* 11/1978 Hern ..... B60K 35/00  
180/89.12  
D420,685 S \* 2/2000 Muranen ..... D15/30

6,039,141 A \* 3/2000 Denny ..... B60N 2/14  
180/329  
6,189,964 B1 \* 2/2001 Henshaw ..... B60N 2/38  
187/222  
6,267,195 B1 \* 7/2001 Takahasi ..... B60K 23/00  
180/315  
D463,459 S \* 9/2002 Tamaru ..... D15/28  
6,675,508 B2 \* 1/2004 Tamaru ..... E02F 9/16  
180/333  
6,942,282 B1 \* 9/2005 Jacobs ..... B62D 33/0617  
296/190.01  
D546,841 S \* 7/2007 McCarren, Jr. .... D15/28  
D555,676 S \* 11/2007 Haubrich ..... D15/28

(Continued)

*Primary Examiner* — Mark Goodwin

(74) *Attorney, Agent, or Firm* — Andrew F. Young, Esq.;  
Lackebach Siegel, LLP

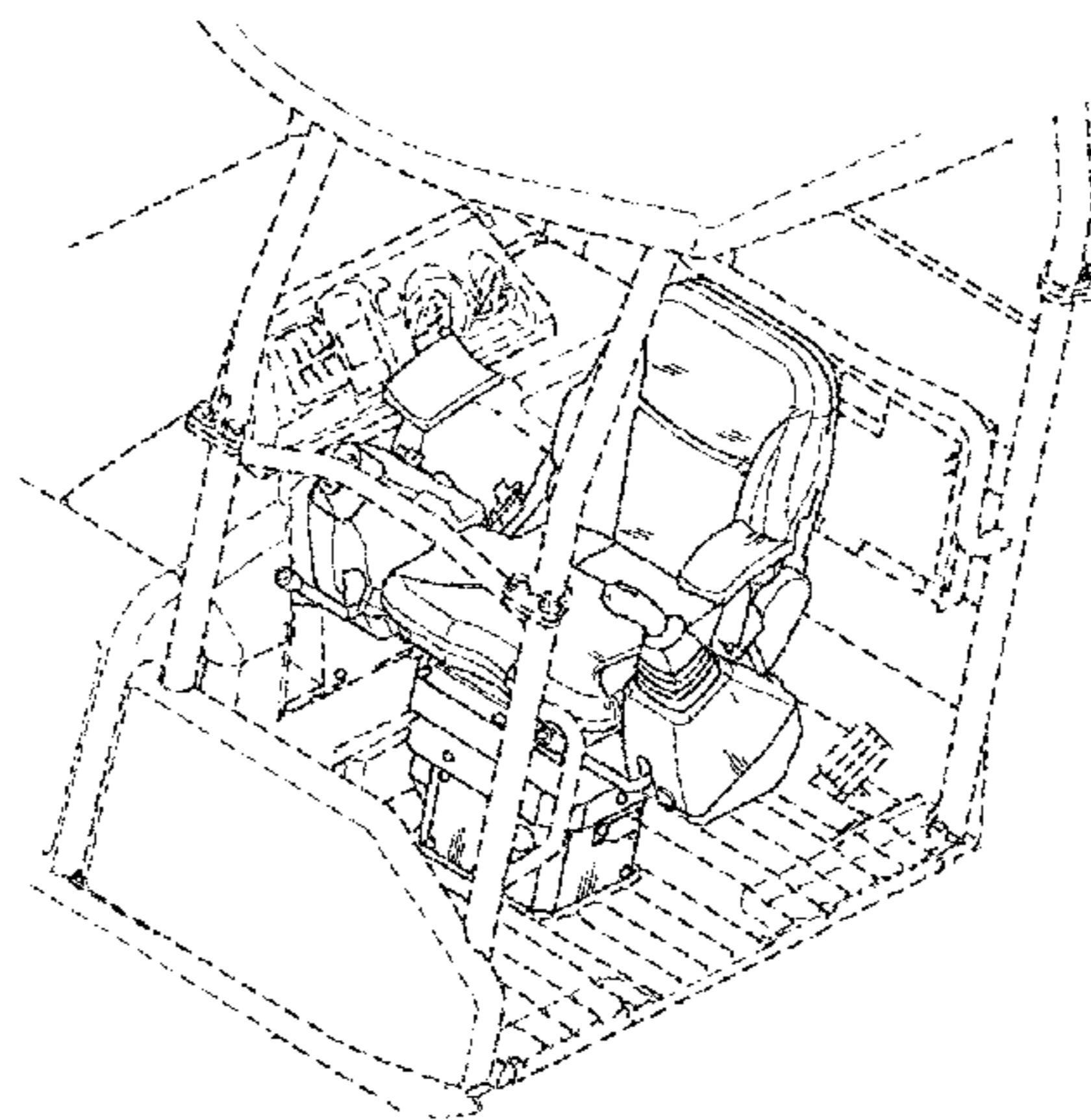
(57) **CLAIM**

The ornamental design for a tracked carrier, as shown and described.

**DESCRIPTION**

FIG. 1 is a front perspective view of the present invention.  
FIG. 2 is a front elevation view of FIG. 1.  
FIG. 3 is rear elevation view of FIG. 1  
FIG. 4 is a top plan view of FIG. 1.  
FIG. 5 is a bottom plan view of FIG. 1.  
FIG. 6 is a left side elevation view of FIG. 1.  
FIG. 7 is a right side elevation view of FIG. 1; and,  
FIG. 8 is an enlarged perspective view of FIG. 1.  
In the drawings, the broken lines depict unclaimed environmental subject matter and form no part of the claim. The surface is lined for contour only, and no claim is made a particular texture.

**1 Claim, 8 Drawing Sheets**



(56)

**References Cited**

U.S. PATENT DOCUMENTS

7,854,291	B2 *	12/2010	Akahane .....	E02F 9/2004 180/333
7,857,090	B2 *	12/2010	Ruhter .....	B60N 2/4606 172/781
D656,966	S *	4/2012	Iwata .....	D15/28
D664,998	S *	8/2012	Warr .....	D15/28
D678,355	S *	3/2013	Warr .....	D15/28
D685,006	S *	6/2013	Hagura .....	D15/17
D685,007	S *	6/2013	Tanaka .....	D15/28

\* cited by examiner

FIG. 1

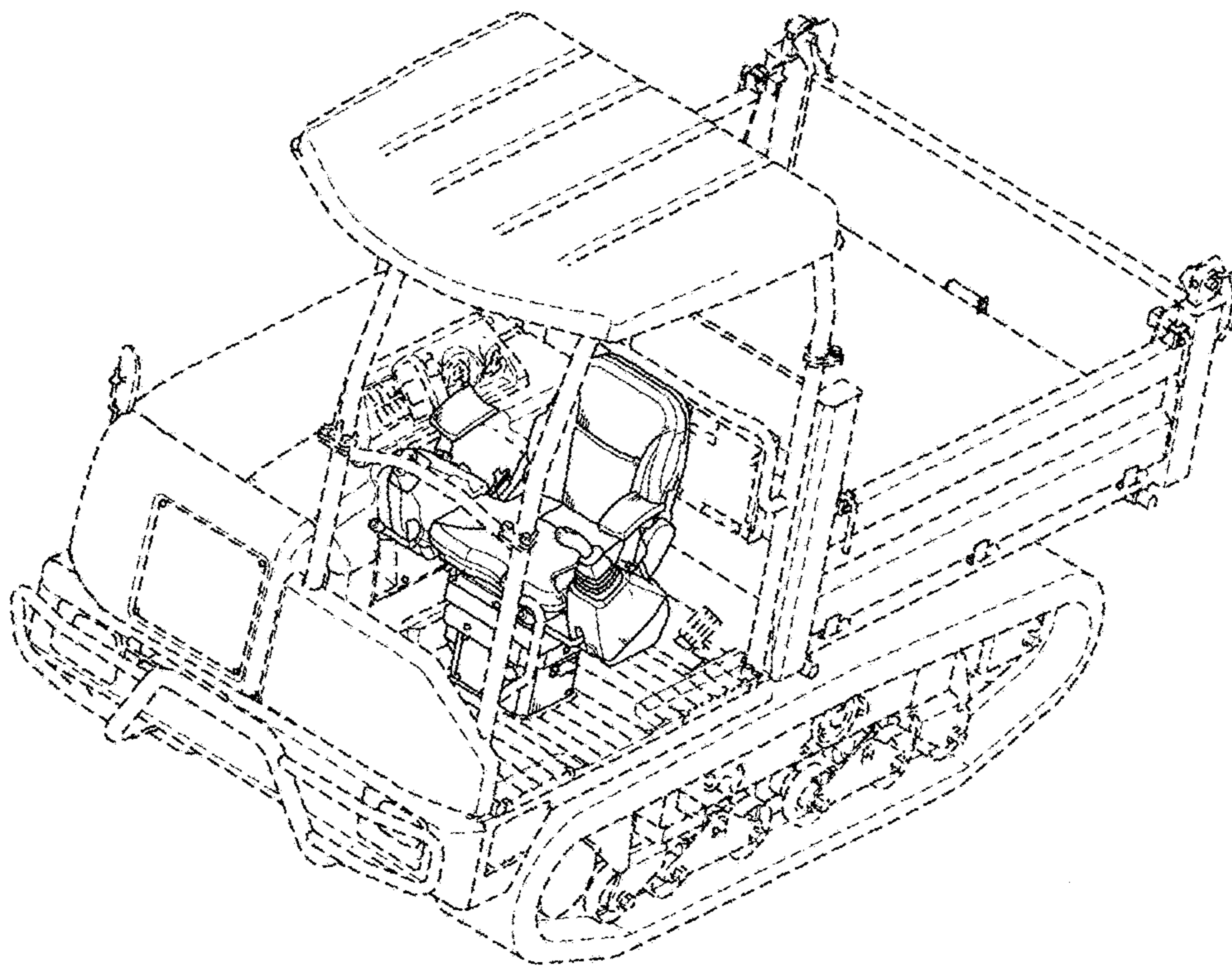


FIG. 2

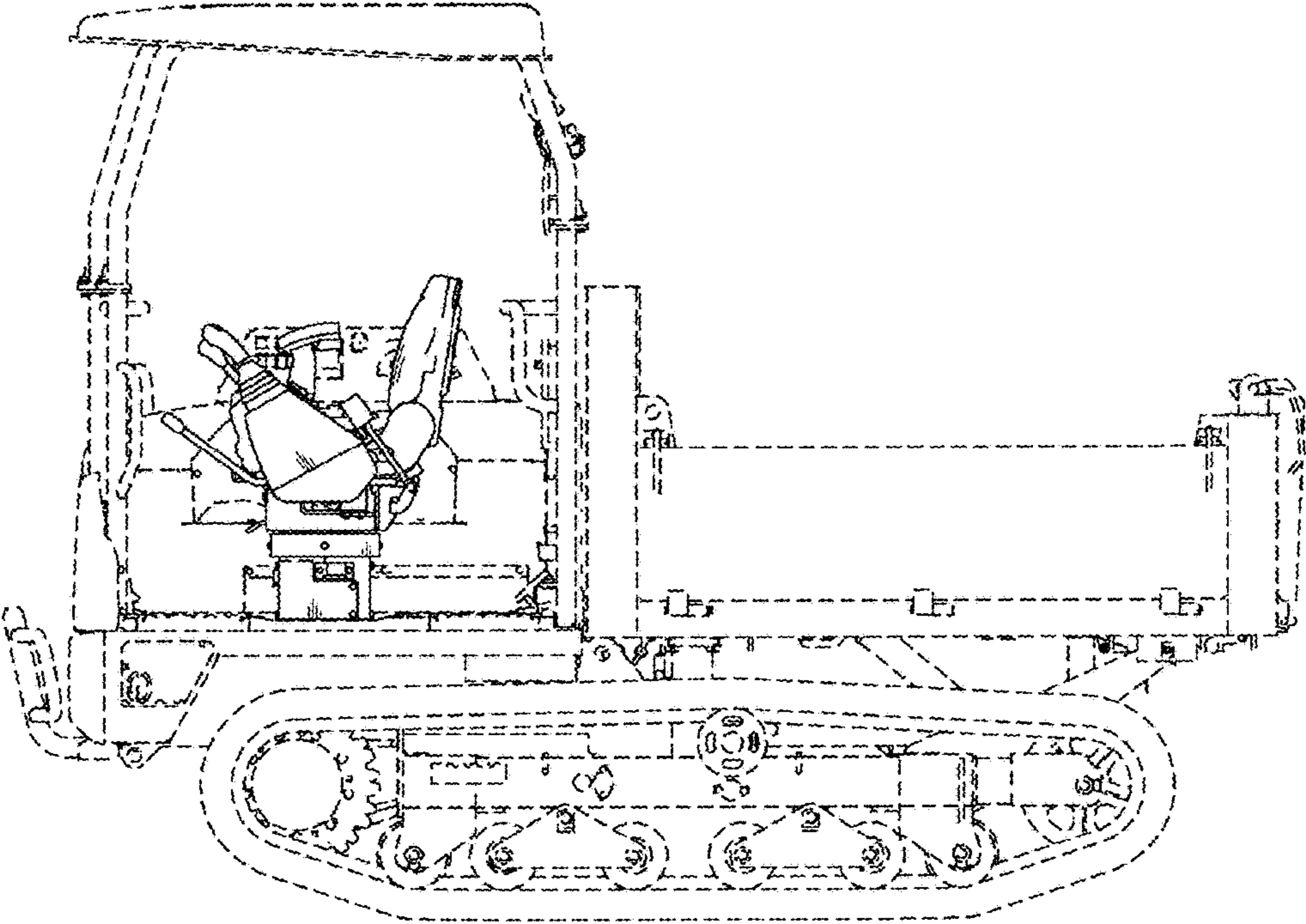


FIG. 3

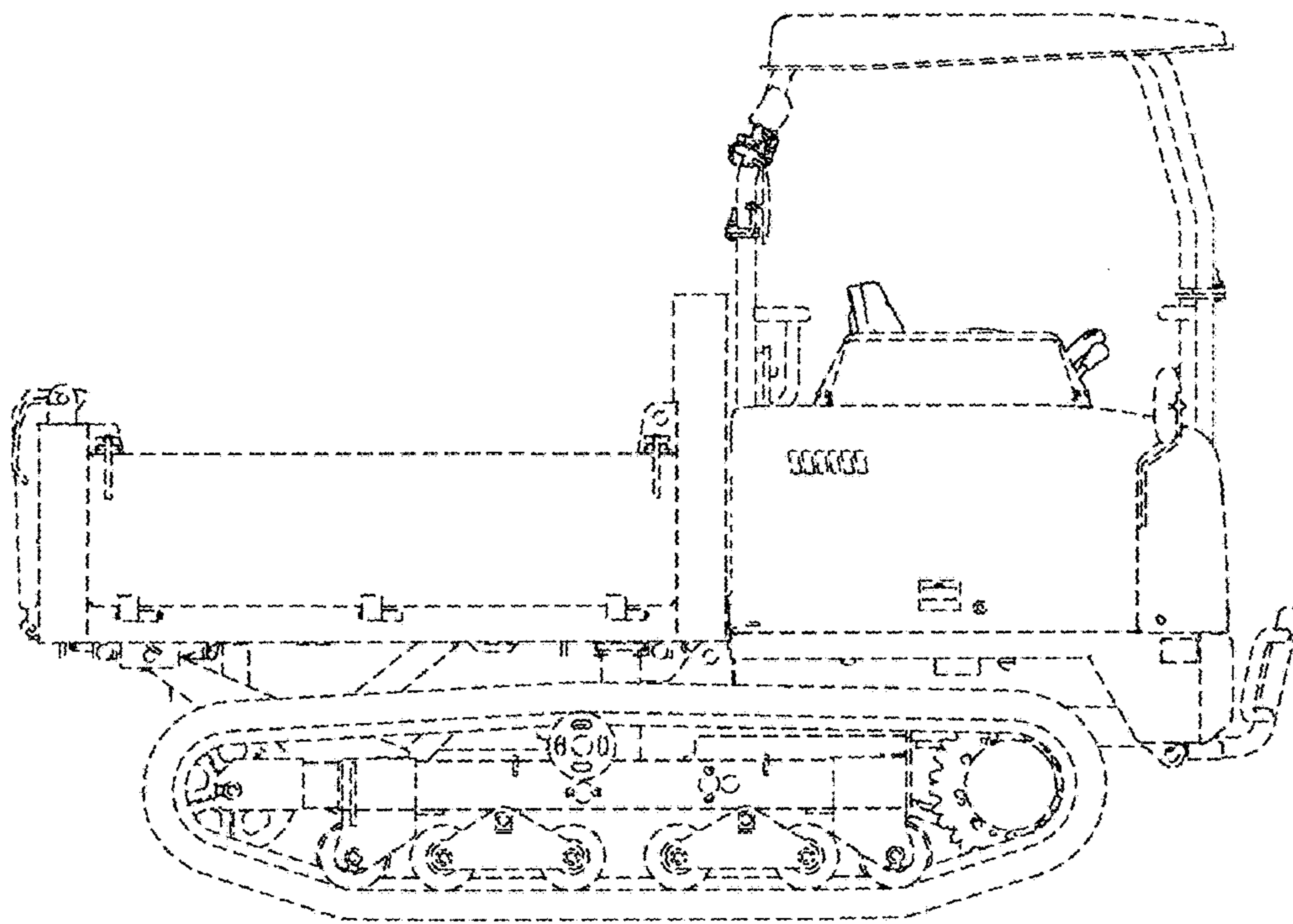


FIG. 4

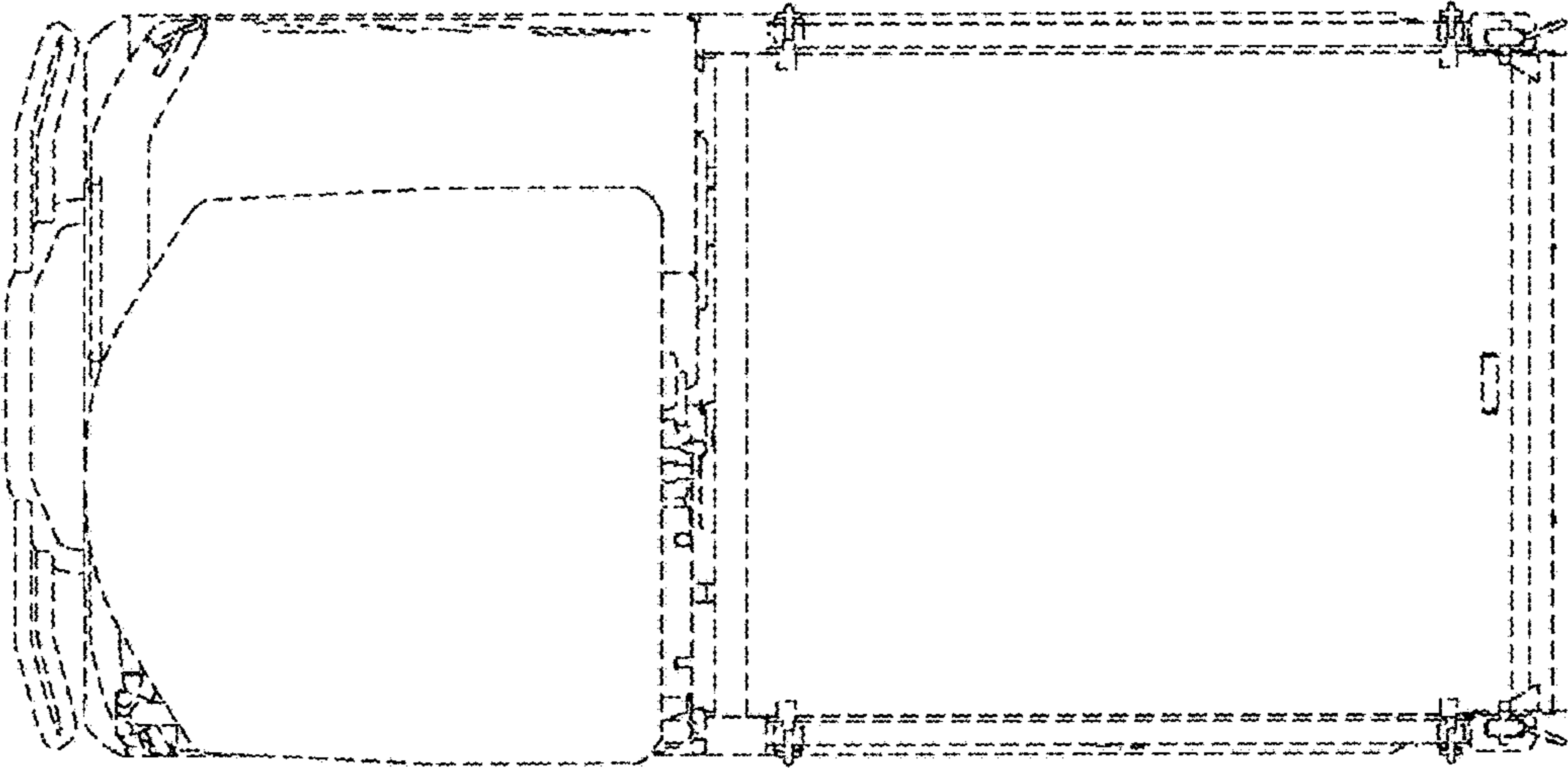


FIG. 5

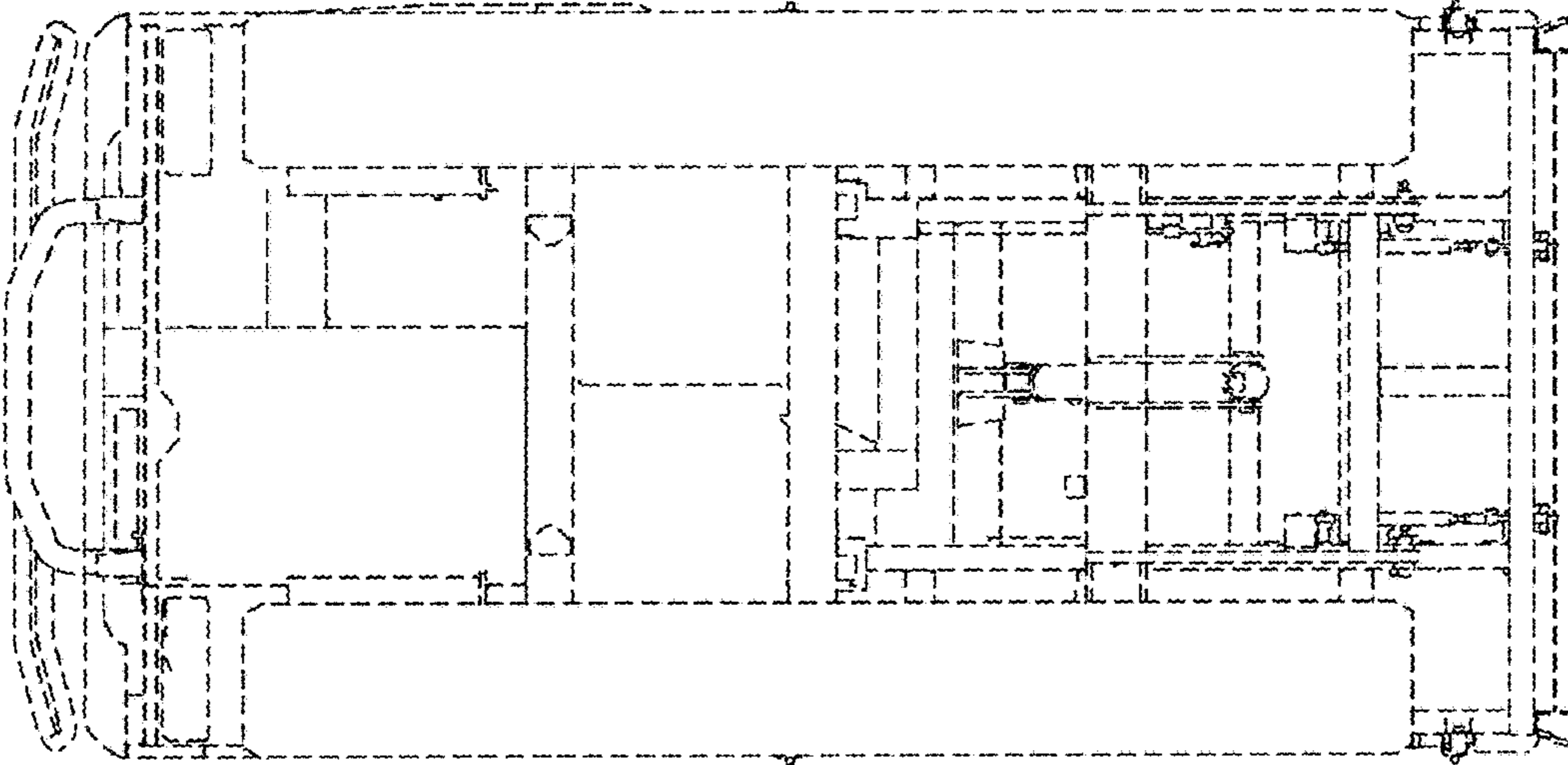


FIG. 6

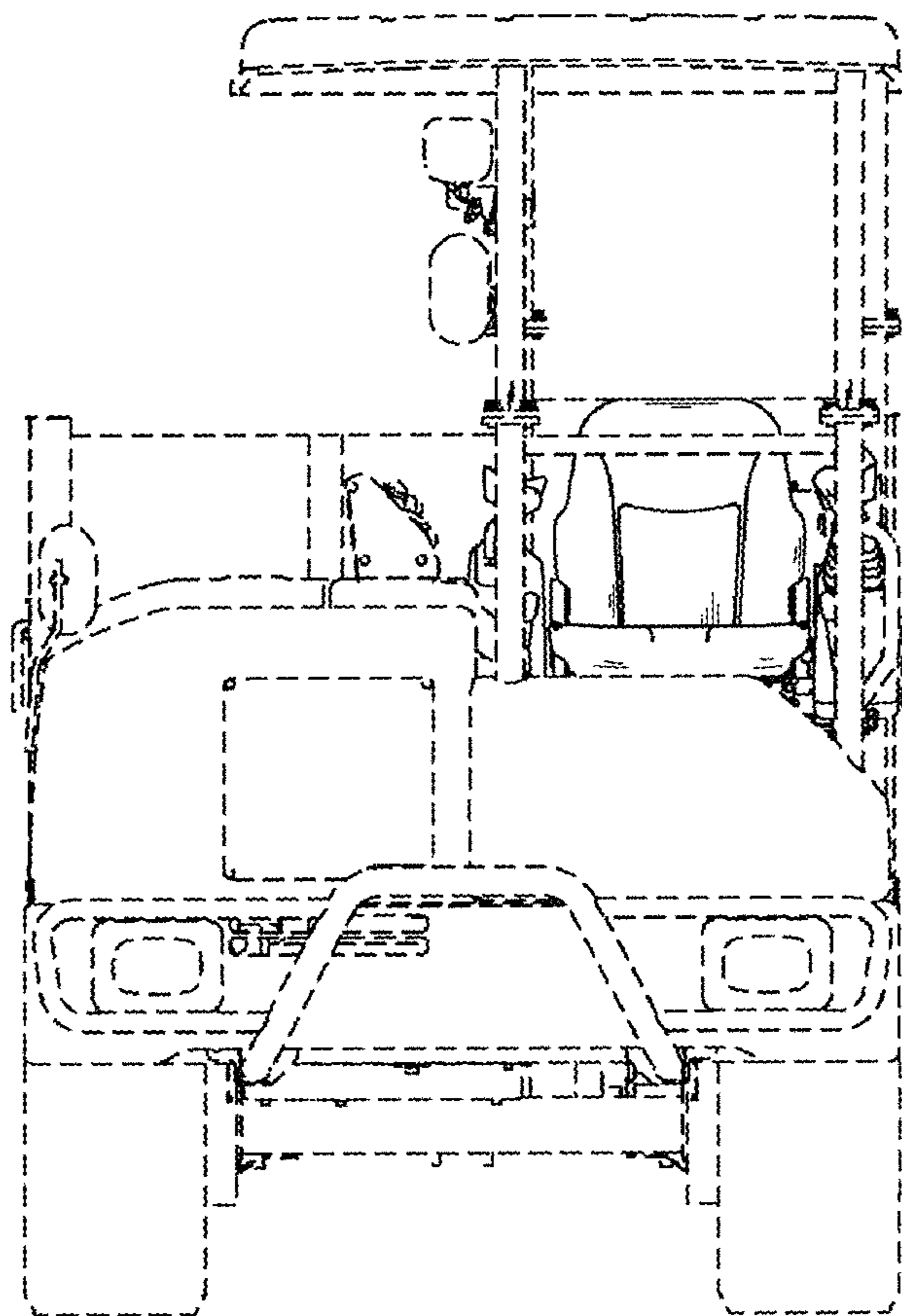




FIG. 7

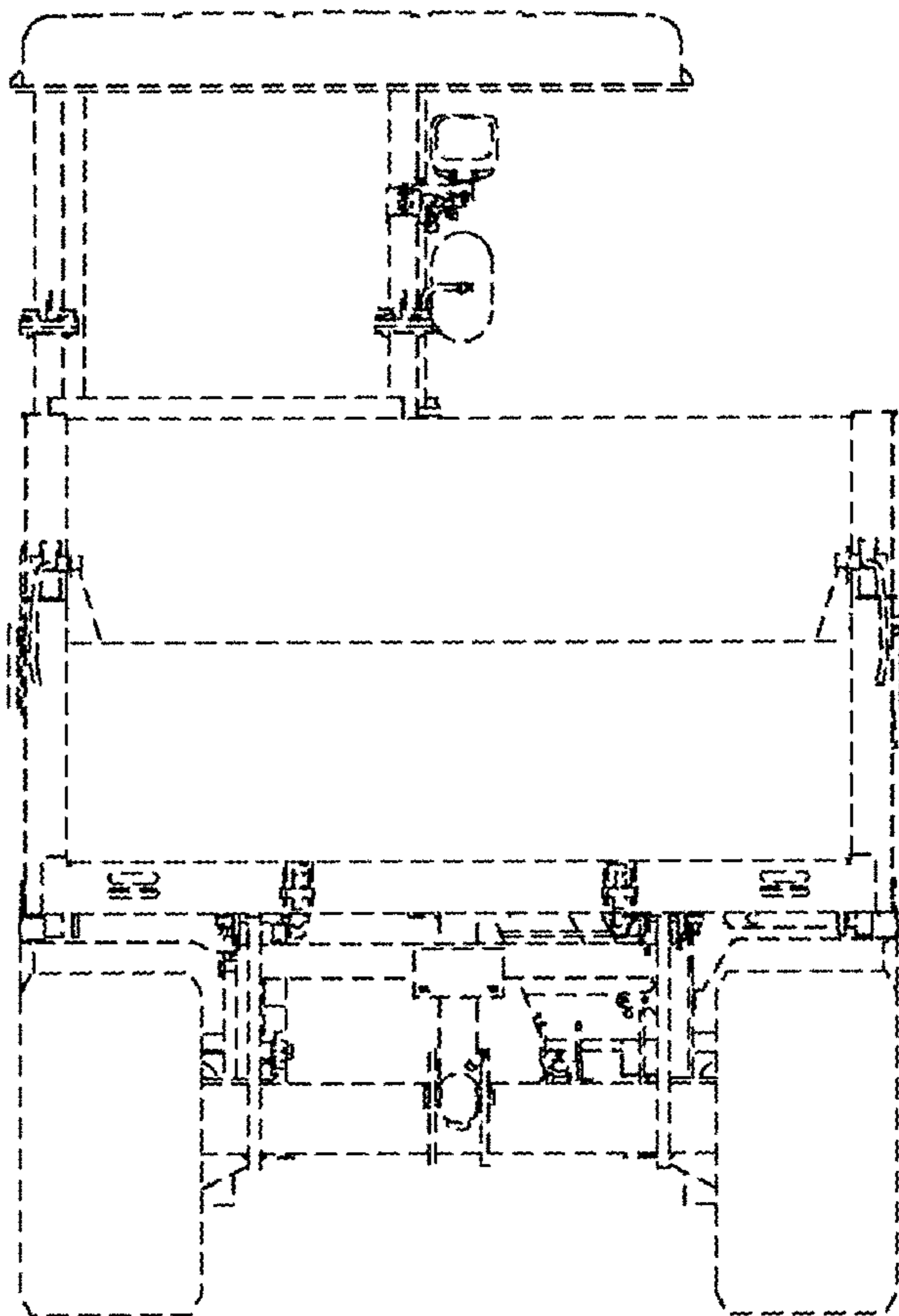


FIG. 8

