



US00D786312S

(12) **United States Design Patent**  
**Okuyama et al.**

(10) **Patent No.:** **US D786,312 S**

(45) **Date of Patent:** **\*\* May 9, 2017**

(54) **TRACKED CARRIER**

(71) Applicant: **YANMAR CO., LTD.**, Osaka-shi,  
Osaka (JP)

(72) Inventors: **Kiyoyuki Okuyama**, Yamagata (JP);  
**Satoru Mishio**, Chikugo (JP); **Keiichi Nishihara**, Chikugo (JP); **Kohei Okazaki**, Chikugo (JP)

(73) Assignee: **YANMAR CO., LTD.**, Osaka (JP)

(\*\*) Term: **15 Years**

(21) Appl. No.: **29/570,322**

(22) Filed: **Jul. 7, 2016**

(30) **Foreign Application Priority Data**

Jan. 8, 2016 (JP) ..... 2016-000373

(51) **LOC (10) Cl.** ..... **12-09**

(52) **U.S. Cl.**  
USPC ..... **D15/24; D12/14**

(58) **Field of Classification Search**  
USPC ..... D15/10, 23, 24, 30; D12/3, 14, 97, 98,  
D12/1, 2, 12, 13, 15, 16, 86, 87;  
180/333; 172/781; 280/183-185, DIG. 5,  
280/1, 16, 82, 88, 90, 14, 756; 296/1.01,  
296/24.33, 181.1, 181.2, 181.4, 187.01,  
296/187.09, 187.11, 187.12, 190.08, 192,  
296/193.05, 193.11, 181.5  
CPC ..... B62D 35/00; B62D 39/00; B62D 47/00;  
B62D 47/003; B62D 63/02; B62D  
33/0617; B62D 33/00; A01B 59/02; B60L  
2200/22; B60Y 2200/86; B60Y 2200/91;  
B60R 21/13

See application file for complete search history.

(56) **References Cited**

**U.S. PATENT DOCUMENTS**

2,859,068 A \* 11/1958 Larsson ..... B62D 55/30  
305/134  
D194,972 S \* 4/1963 Walker ..... D12/98

D206,320 S \* 11/1966 Fox ..... D12/3  
D254,431 S \* 3/1980 Broyhill ..... D12/97  
4,817,746 A \* 4/1989 Purcell ..... B60T 1/065  
180/24.02  
D314,388 S \* 2/1991 Brewer ..... D12/1  
D324,356 S \* 3/1992 Rollinson ..... D12/3

(Continued)

**FOREIGN PATENT DOCUMENTS**

EP 003297688-0001 7/1916  
EP 003297688-0002 7/1916

**OTHER PUBLICATIONS**

JP2016-000373, Office Action, Notification of Reason for Refusal,  
dated Jul. 5, 2016, 3 pages—English, 3 pages—Japanese.

*Primary Examiner* — Mark Goodwin

(74) *Attorney, Agent, or Firm* — Andrew F. Young, Esq.;  
Lackebach Siegel, LLP

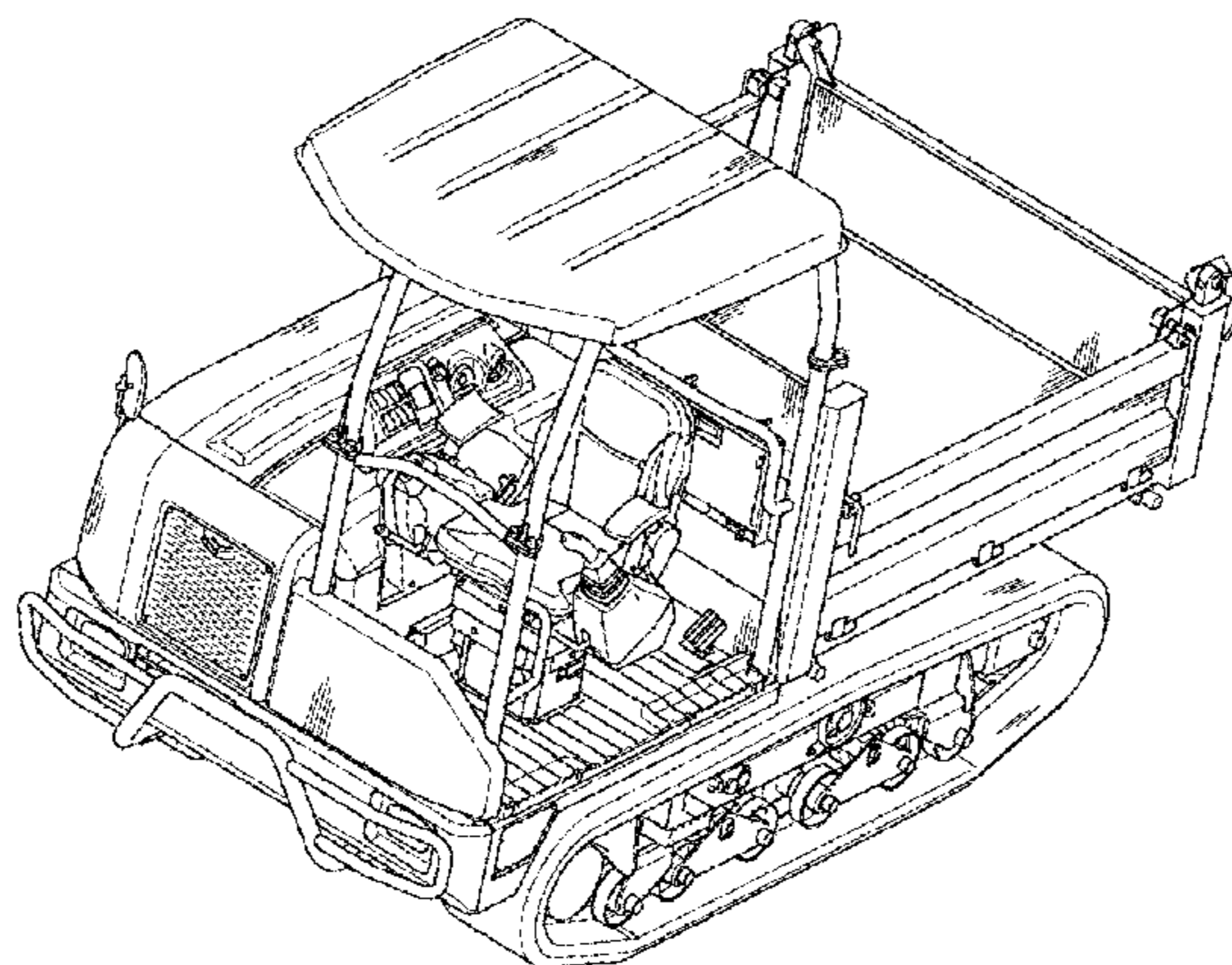
(57) **CLAIM**

The ornamental design for a tracked carrier, as shown and  
described.

**DESCRIPTION**

FIG. 1 is a front perspective view of the present invention.  
FIG. 2 is a front elevation view of FIG. 1.  
FIG. 3 is rear side elevation view of FIG. 1.  
FIG. 4 is a top plan view of FIG. 1.  
FIG. 5 is a bottom plan view of FIG. 1.  
FIG. 6 is a left side elevation view of FIG. 1; and,  
FIG. 7 is a right side elevation view of FIG. 1.  
In the drawings, the broken lines depict unclaimed environ-  
mental subject matter and form no part of the claim. No  
claim is made to portions that are not shown. The surface is  
lined for contour only, and no claim is made a particular  
texture.

**1 Claim, 7 Drawing Sheets**



(56)

**References Cited**

## U.S. PATENT DOCUMENTS

D332,764	S	*	1/1993	Chandler	.....	D12/3
D335,107	S	*	4/1993	Lagace	.....	D12/3
D364,879	S	*	12/1995	Bastian	.....	D15/24
D375,506	S	*	11/1996	Bastian	.....	D15/24
D391,896	S	*	3/1998	Albertson	.....	D12/1
D436,557	S	*	1/2001	Selby	.....	D12/14
D556,789	S	*	12/2007	Kitayama	.....	D15/24
D559,277	S	*	1/2008	Tsujita	.....	D15/24
D621,423	S	*	8/2010	Nakanishi	.....	D12/14
D640,598	S	*	6/2011	Zhang	.....	D12/1
D646,603	S	*	10/2011	Zhang	.....	D12/1
D699,627	S	*	2/2014	Tang	.....	D12/14
D711,778	S	*	8/2014	Chun	.....	D12/14
D714,186	S	*	9/2014	Wu	.....	D12/14
D716,185	S	*	10/2014	Higashikawa	.....	D12/14
D716,693	S	*	11/2014	Higashikawa	.....	D12/14
D716,694	S	*	11/2014	Higashikawa	.....	D12/14
D730,239	S	*	5/2015	Gonzalez	.....	D12/14
D736,118	S	*	8/2015	Hashimoto	.....	D12/14
D755,077	S	*	5/2016	Lyons	.....	D12/14
D764,349	S	*	8/2016	Kuramoto	.....	D12/14
D764,350	S	*	8/2016	Okuyama	.....	D12/14

\* cited by examiner

FIG. 1

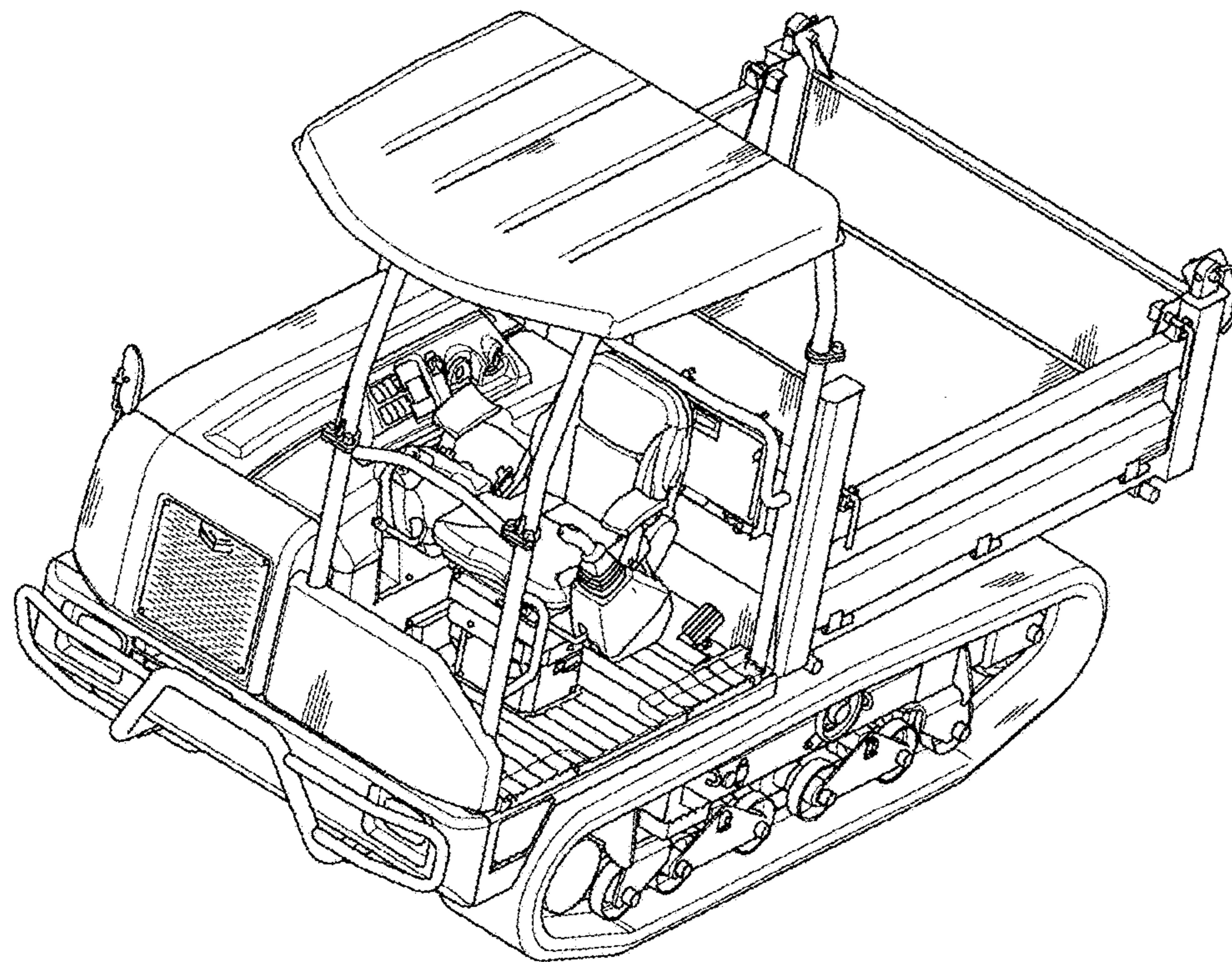


FIG. 2

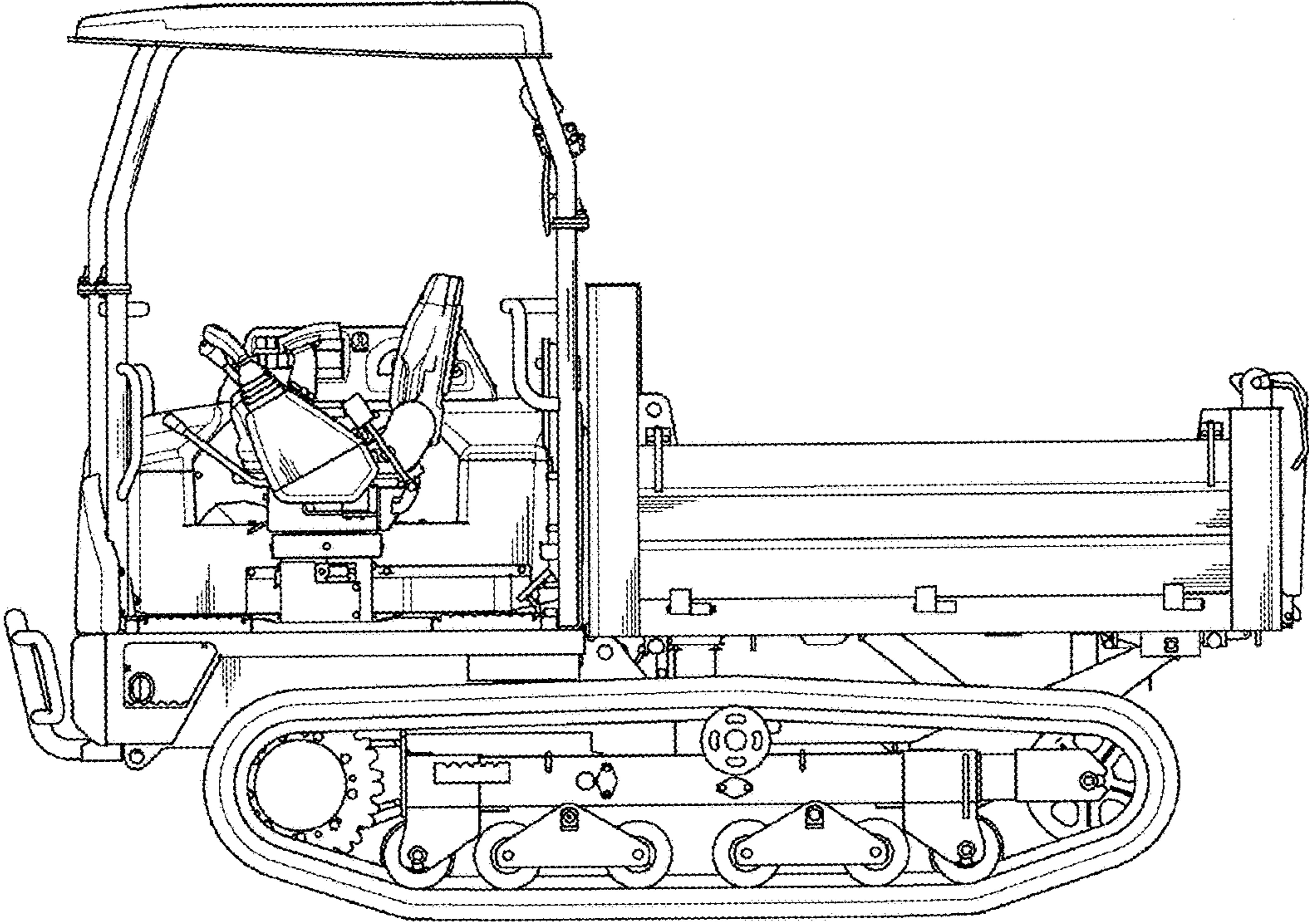


FIG. 3

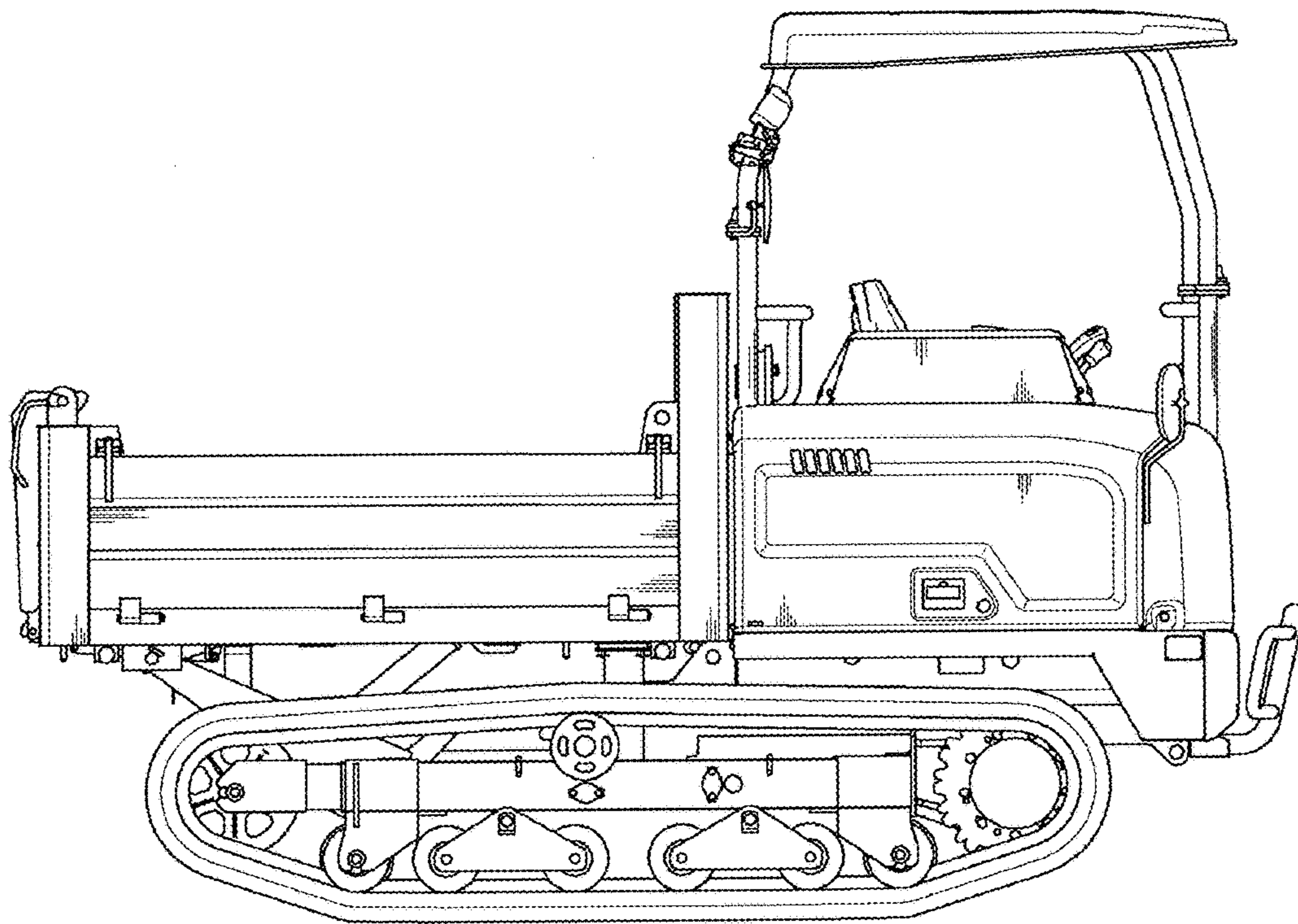


FIG. 4

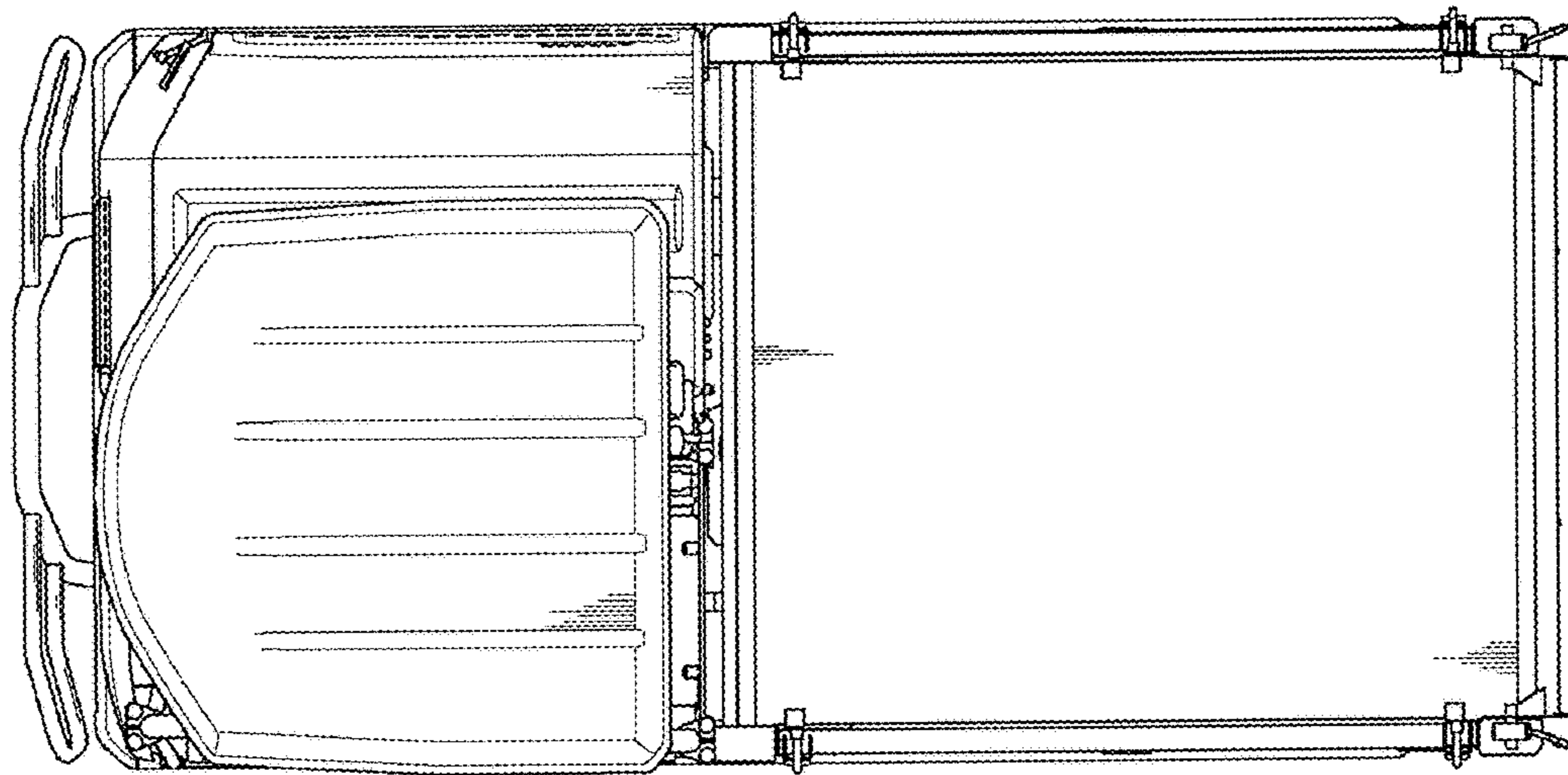


FIG. 5

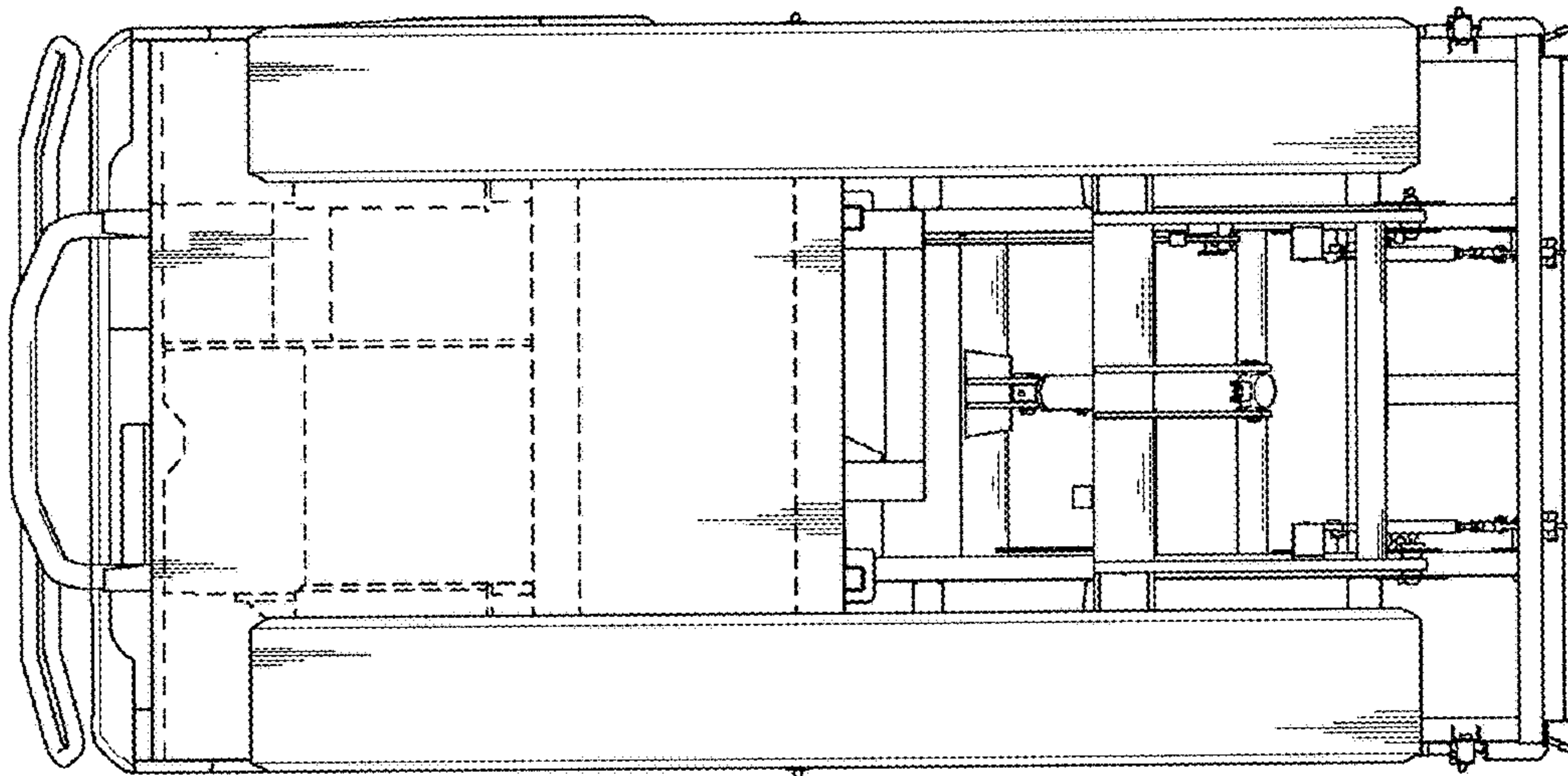


FIG. 6

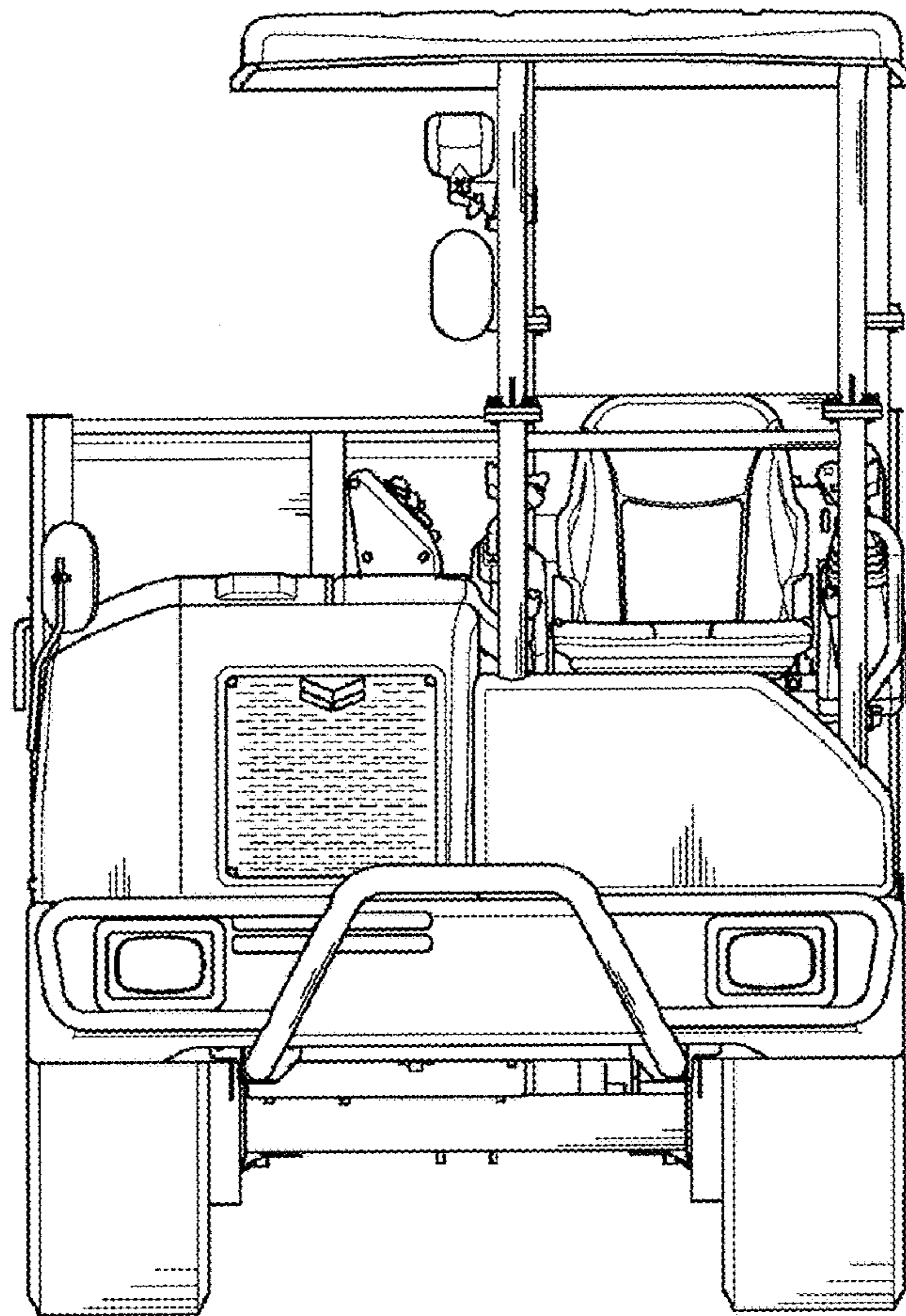




FIG. 7

