



US00D786309S

(12) **United States Design Patent**  
**Meyer et al.**

(10) **Patent No.:** **US D786,309 S**

(45) **Date of Patent:** **\*\* May 9, 2017**

(54) **HYDRAULIC PUMP**

(71) Applicant: **Danfoss Power Solutions Inc.**, Ames, IA (US)

(72) Inventors: **Scott Meyer**, Ames, IA (US); **Doug Kardell**, Grimes, IA (US)

(73) Assignee: **Danfoss Power Solutions Inc.**, Ames, IA (US)

(\*\*) Term: **15 Years**

(21) Appl. No.: **29/550,219**

(22) Filed: **Dec. 31, 2015**

(30) **Foreign Application Priority Data**

Jul. 3, 2015 (EM) ..... 002731042

(51) **LOC (10) Cl.** ..... **15-02**

(52) **U.S. Cl.**  
USPC ..... **D15/7**

(58) **Field of Classification Search**  
USPC ..... D15/7-9; D23/231, 232, 225; 417/60, 417/235, 265, 321, 355, 358, 363, 359, 417/410.1, 415-416, 405, 900; 60/408, 60/412; 184/26-37; 415/140-147; 123/495, 509; 137/565.34  
CPC ..... F02M 37/04; F02M 37/14  
See application file for complete search history.

(56) **References Cited**

**U.S. PATENT DOCUMENTS**

D215,885 S \* 11/1969 Svenson ..... D15/1  
4,087,210 A \* 5/1978 Suechting ..... F01L 25/066  
417/401

D266,091 S \* 9/1982 Richards ..... 417/234  
D294,358 S \* 2/1988 Valentin ..... D15/7  
7,316,177 B2 \* 1/2008 Bakker ..... F04B 9/14  
92/15  
D698,367 S \* 1/2014 Rees ..... D15/7  
D763,323 S \* 8/2016 Mikulic ..... D15/9  
D766,991 S \* 9/2016 Ingram ..... D15/7

\* cited by examiner

*Primary Examiner* — Ralf Seifert

(74) *Attorney, Agent, or Firm* — McCormick, Paulding & Huber LLP

(57) **CLAIM**

The ornamental design for a hydraulic pump, substantially as shown.

**DESCRIPTION**

FIG. 1 is a front, top and right-hand side perspective view of a hydraulic pump comprising a new, original and ornamental design;

FIG. 2 is a front view thereof;

FIG. 3 is a back view thereof;

FIG. 4 is a right-hand side view thereof;

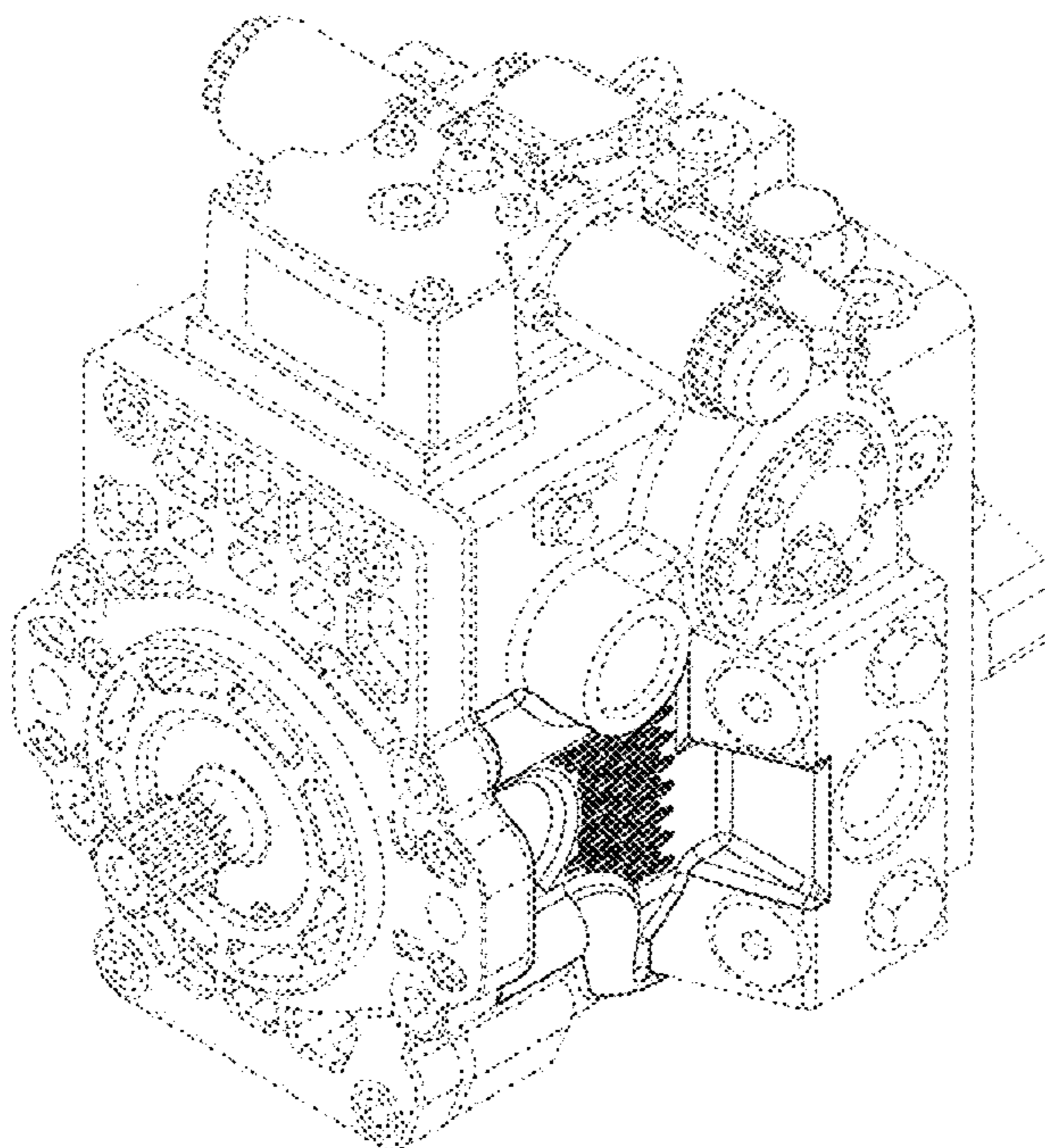
FIG. 5 is a left-hand side view thereof;

FIG. 6 is a top view thereof; and,

FIG. 7 is a bottom view thereof.

The broken line portion of the figure drawings is included to show portions of the article that form(s) no part of the claimed design.

**1 Claim, 7 Drawing Sheets**



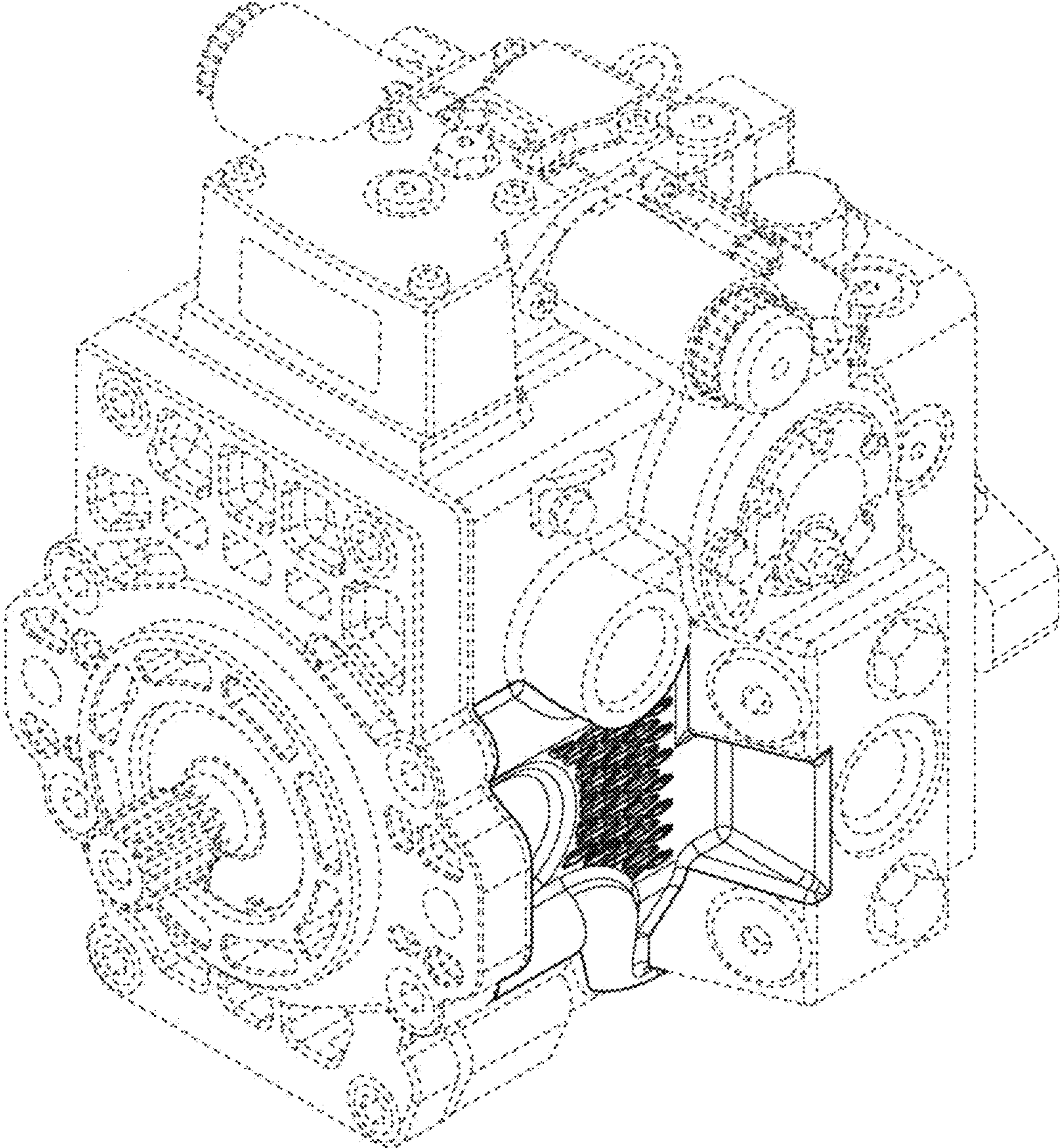


FIG. 1

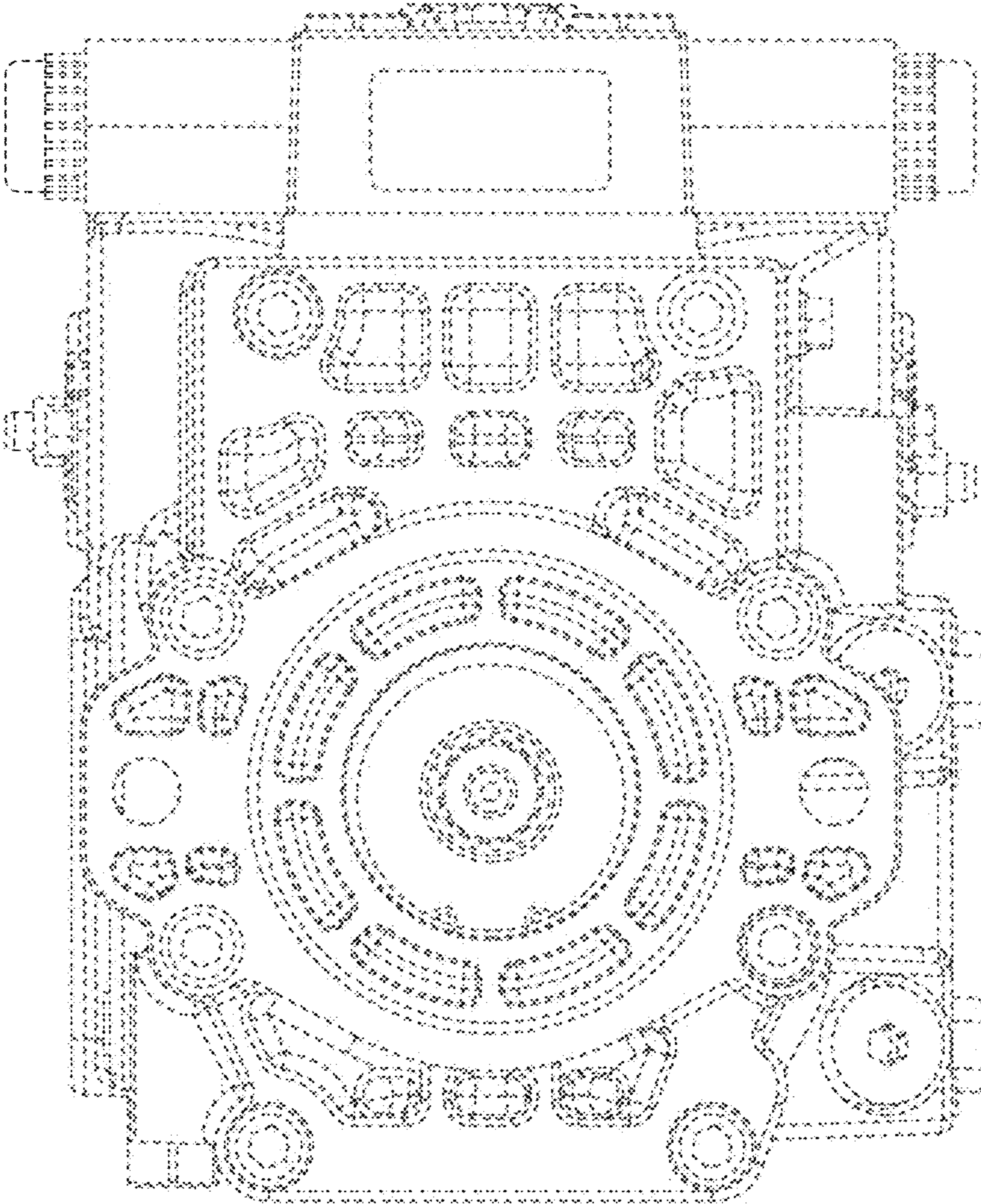


FIG. 2

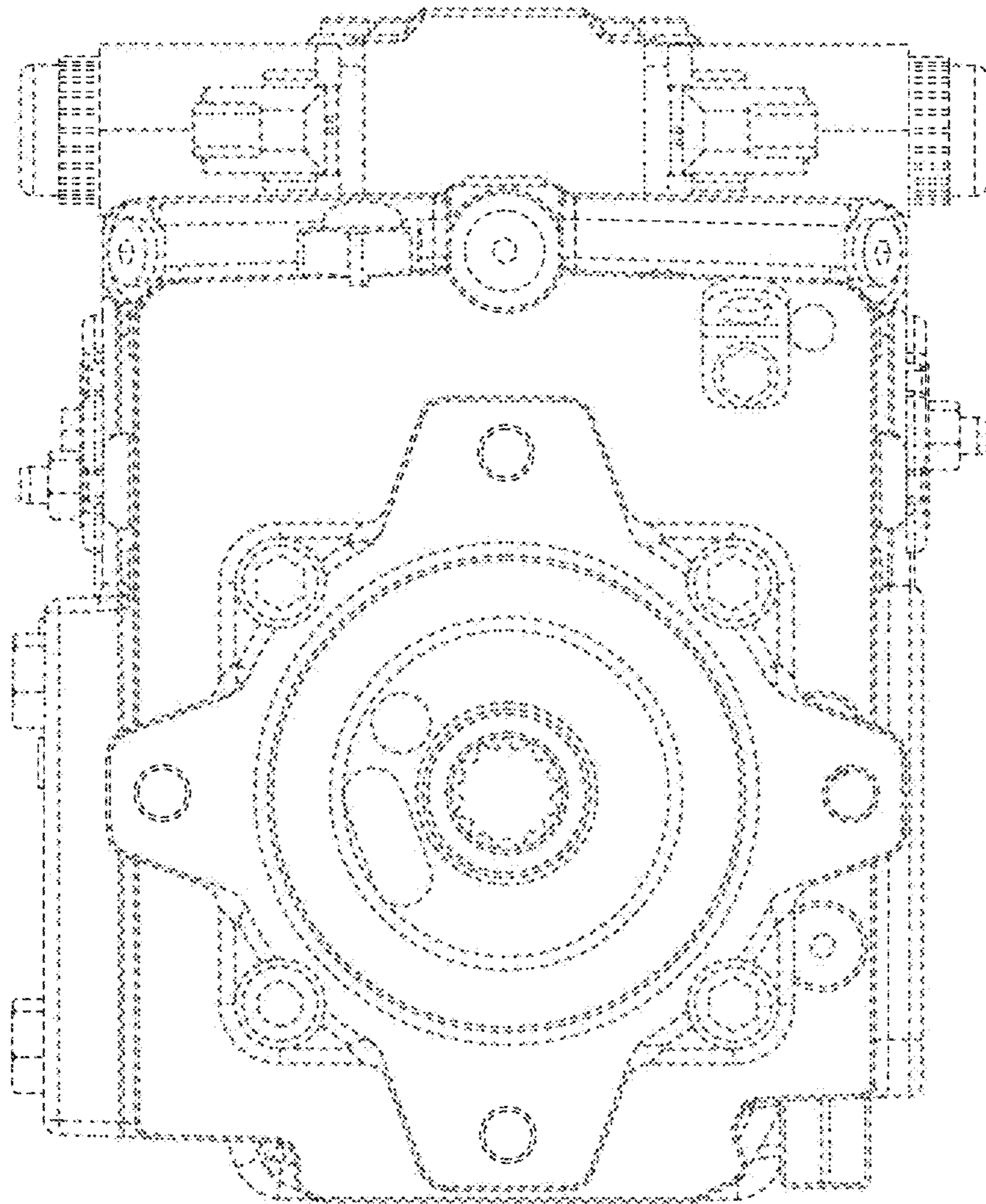


FIG. 3

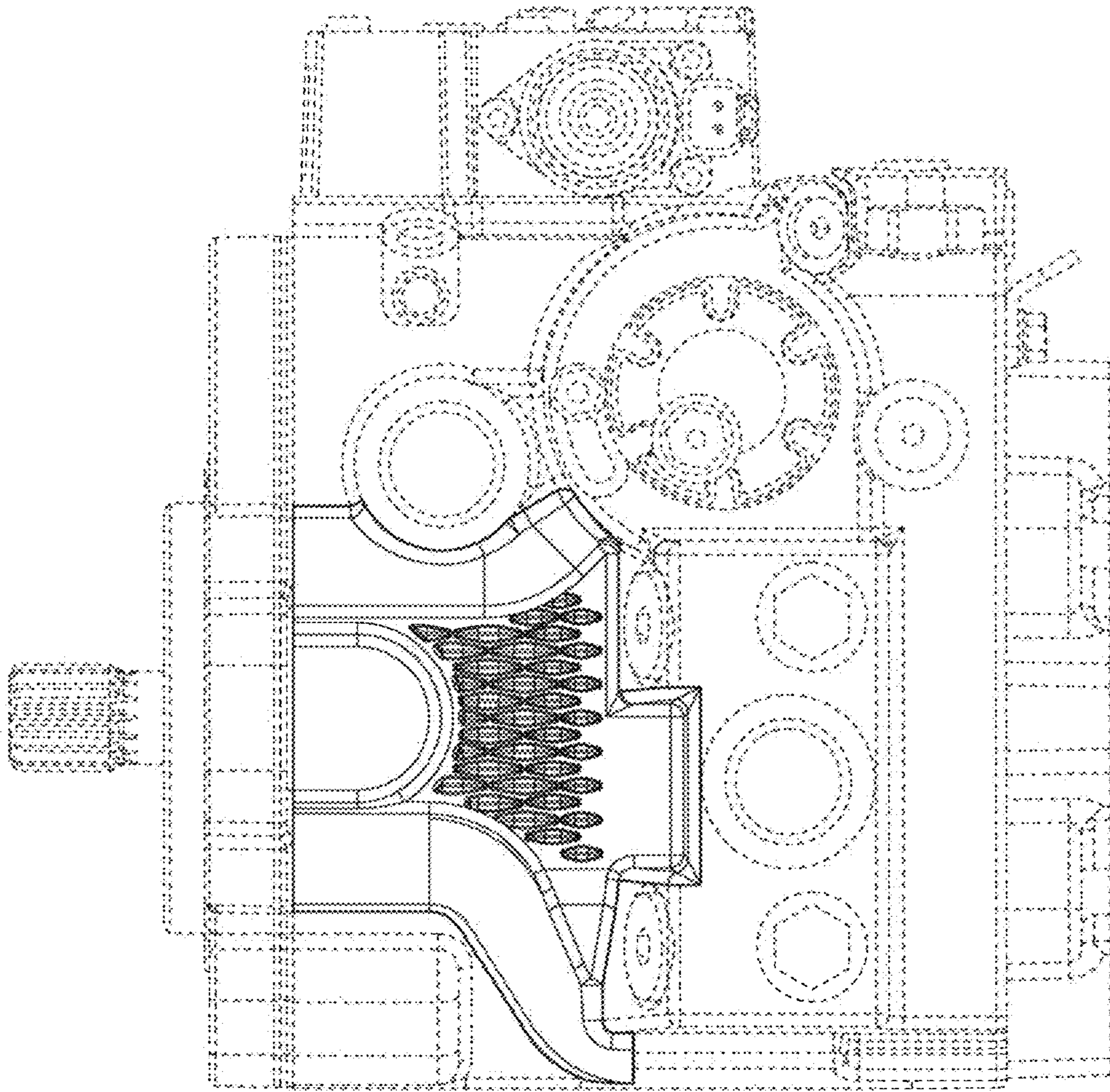


FIG. 4

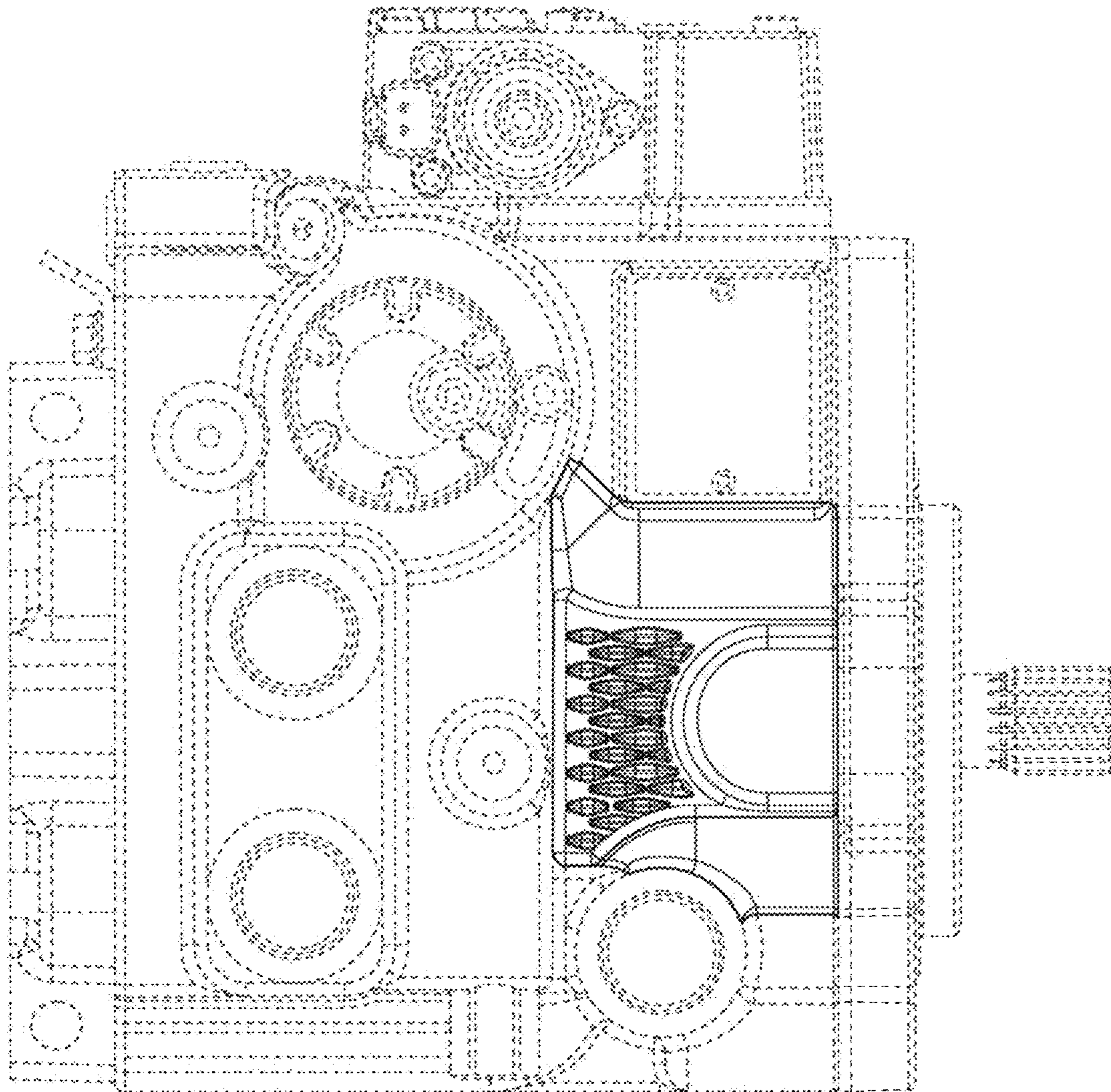


FIG. 5

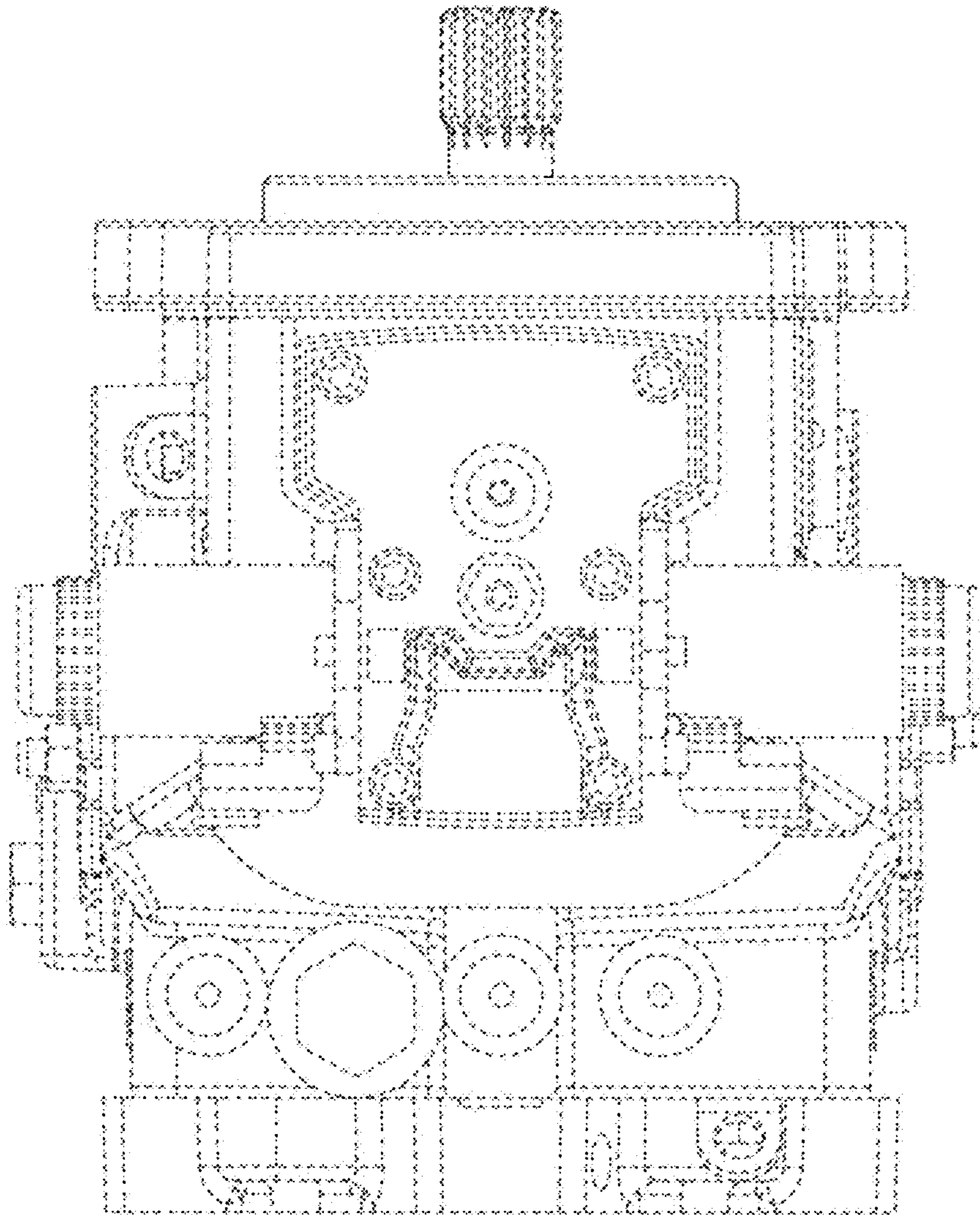


FIG. 6

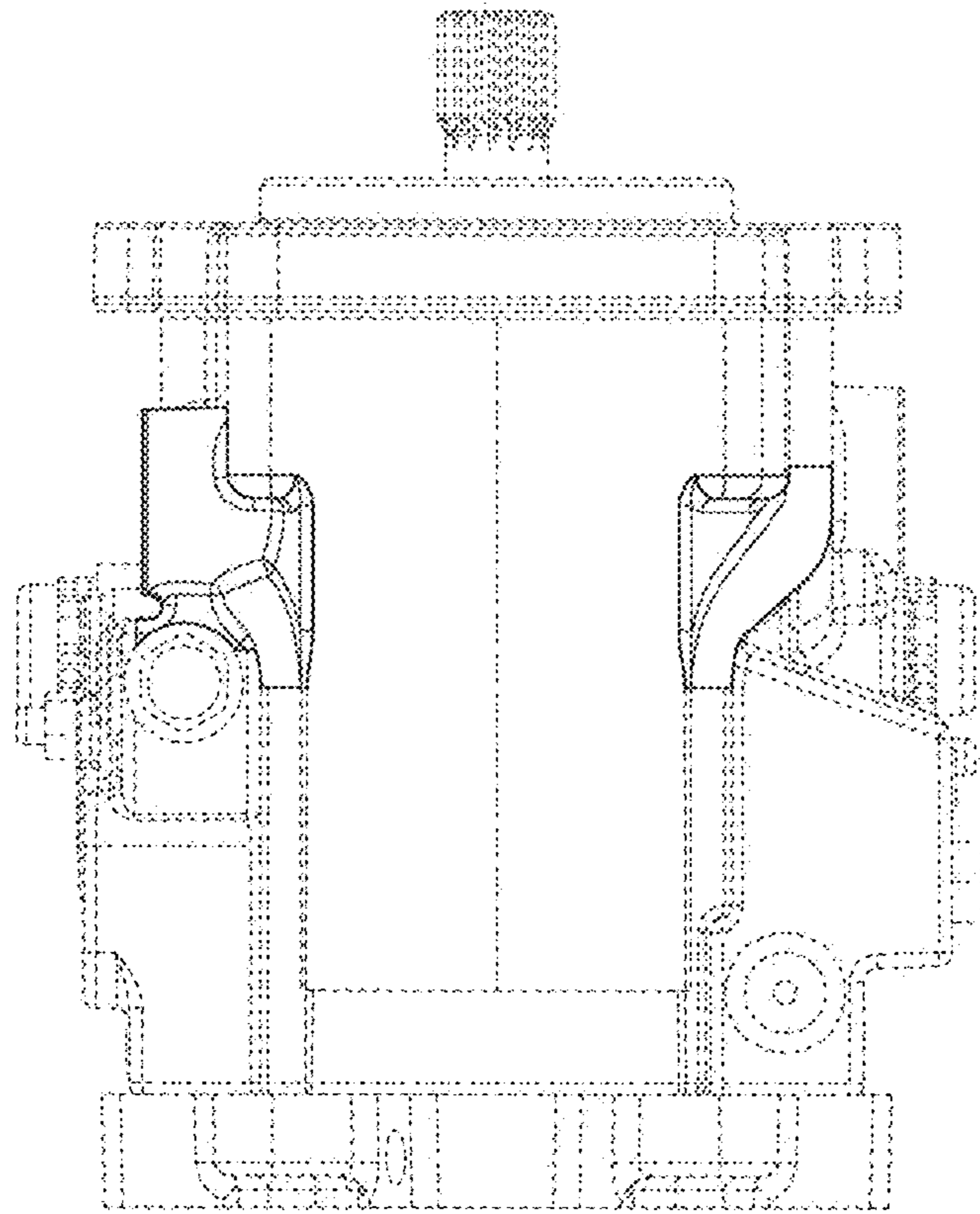


FIG. 7