



US00D786308S

(12) **United States Design Patent** (10) **Patent No.:** **US D786,308 S**
Nagao (45) **Date of Patent:** **** May 9, 2017**

(54) **MULTIPURPOSE ENGINE**

(71) Applicant: **Shigeki Nagao**, Saitama-ken (JP)

(72) Inventor: **Shigeki Nagao**, Saitama-ken (JP)

(73) Assignee: **YAMAHA MOTOR POWER PRODUCTS KABUSHIKI KAISHA** (JP)

(**) Term: **15 Years**

(21) Appl. No.: **29/537,564**

(22) Filed: **Aug. 27, 2015**

(30) **Foreign Application Priority Data**

Feb. 27, 2015 (EM) 002642520

(51) **LOC (10) Cl.** **15-01**

(52) **U.S. Cl.**
USPC **D15/1**

(58) **Field of Classification Search**
USPC D15/1-6; D13/184, 112; 123/195 C
CPC F02B 75/007; F02B 61/02; F02B 75/005;
F02B 2075/022; F02B 75/16; F02B
2075/1808; F02B 75/34; F02B 77/02;
F02B 2700/03; F02B 2710/03; F02B
2730/011; F02B 63/02; F02B 2075/027;
F02B 2075/1816; F02B 2075/1824; F02B
2063/045; F01M 13/022; F01M
2013/0461; F01M 13/04; F02F 7/0068;
Y10S 55/14; F02M 35/0201

See application file for complete search history.

(56) **References Cited**

U.S. PATENT DOCUMENTS

D733,187 S * 6/2015 Bink D15/5
D733,762 S * 7/2015 Bink D15/1
2008/0184682 A1* 8/2008 Nelson A01D 34/001
55/385.3

* cited by examiner

Primary Examiner — T. Chase Nelson

Assistant Examiner — Ania Aman

(74) *Attorney, Agent, or Firm* — Ostrolenk Faber LLP

(57) **CLAIM**

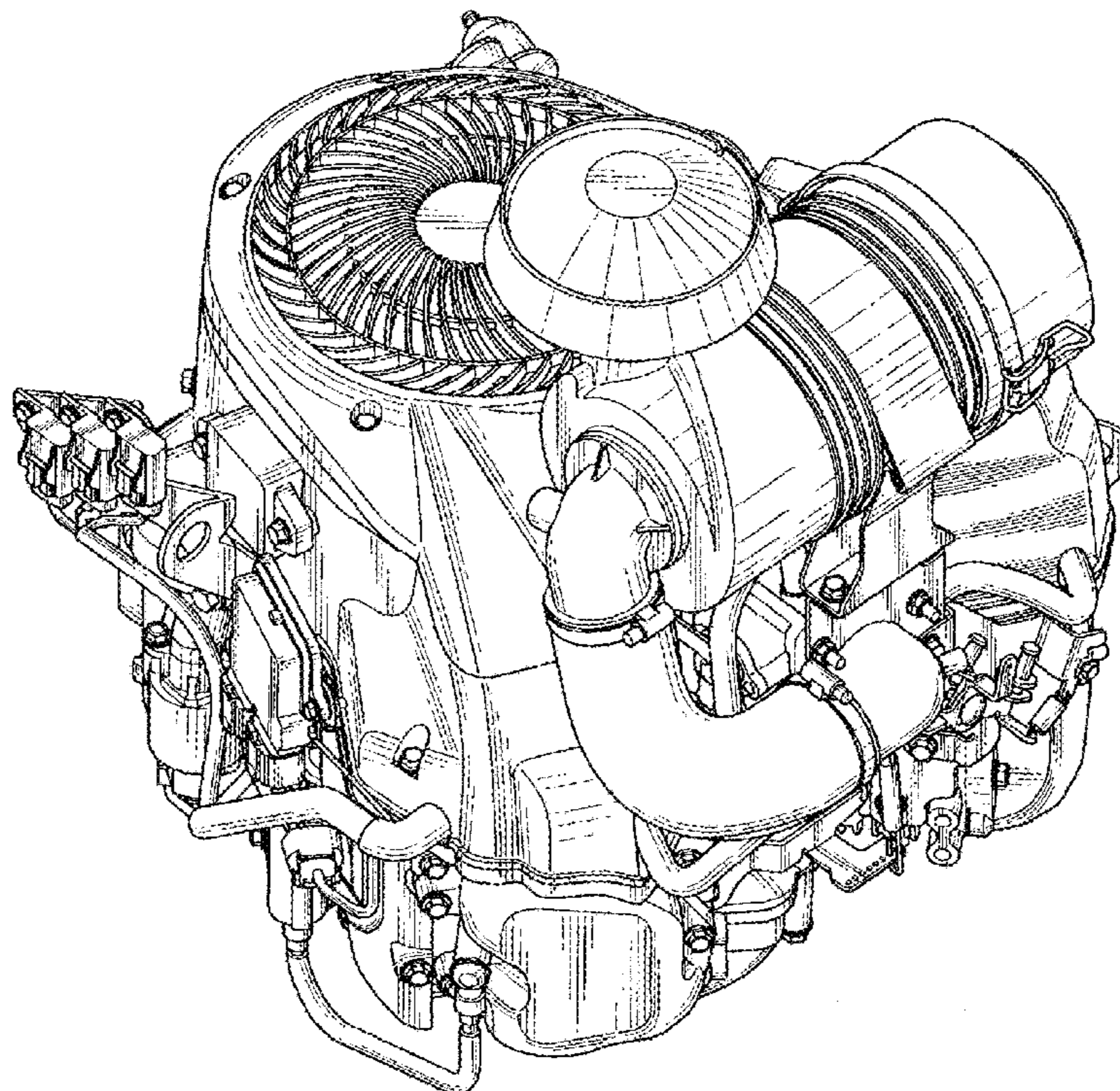
The ornamental design for a multipurpose engine, as shown and described.

DESCRIPTION

FIG. 1 is a top, front, perspective view of a multipurpose engine showing my new design;
FIG. 2 is a top rear perspective view thereof;
FIG. 3 is a front view thereof;
FIG. 4 is a rear view thereof;
FIG. 5 is a left side view thereof;
FIG. 6 is a right side view thereof;
FIG. 7 is a top view thereof; and,
FIG. 8 is a bottom view thereof.

The broken lines shown in the drawings are for the purpose of illustrating portions of the article that form no part of the claimed design.

1 Claim, 8 Drawing Sheets



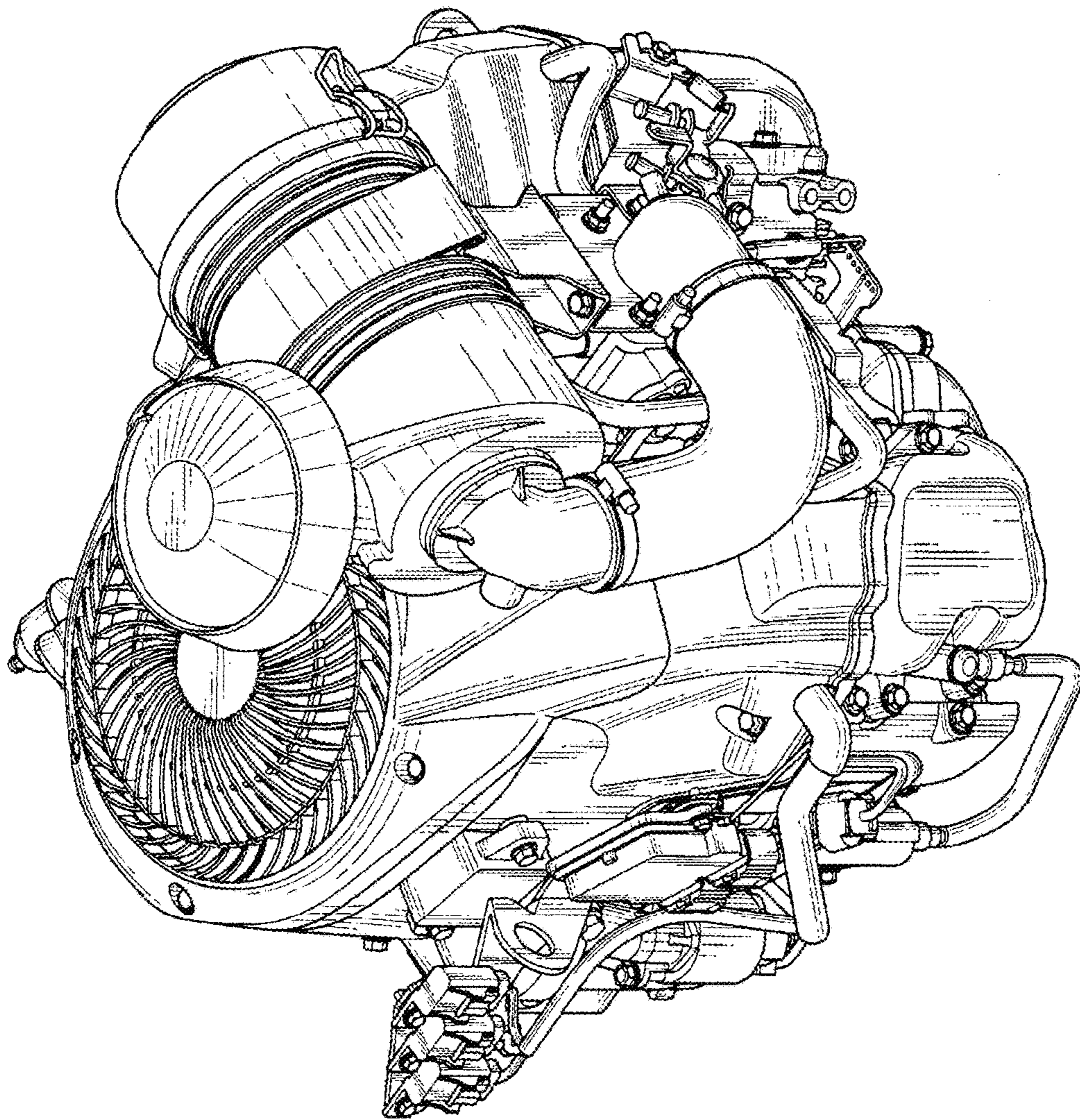


FIG. 1

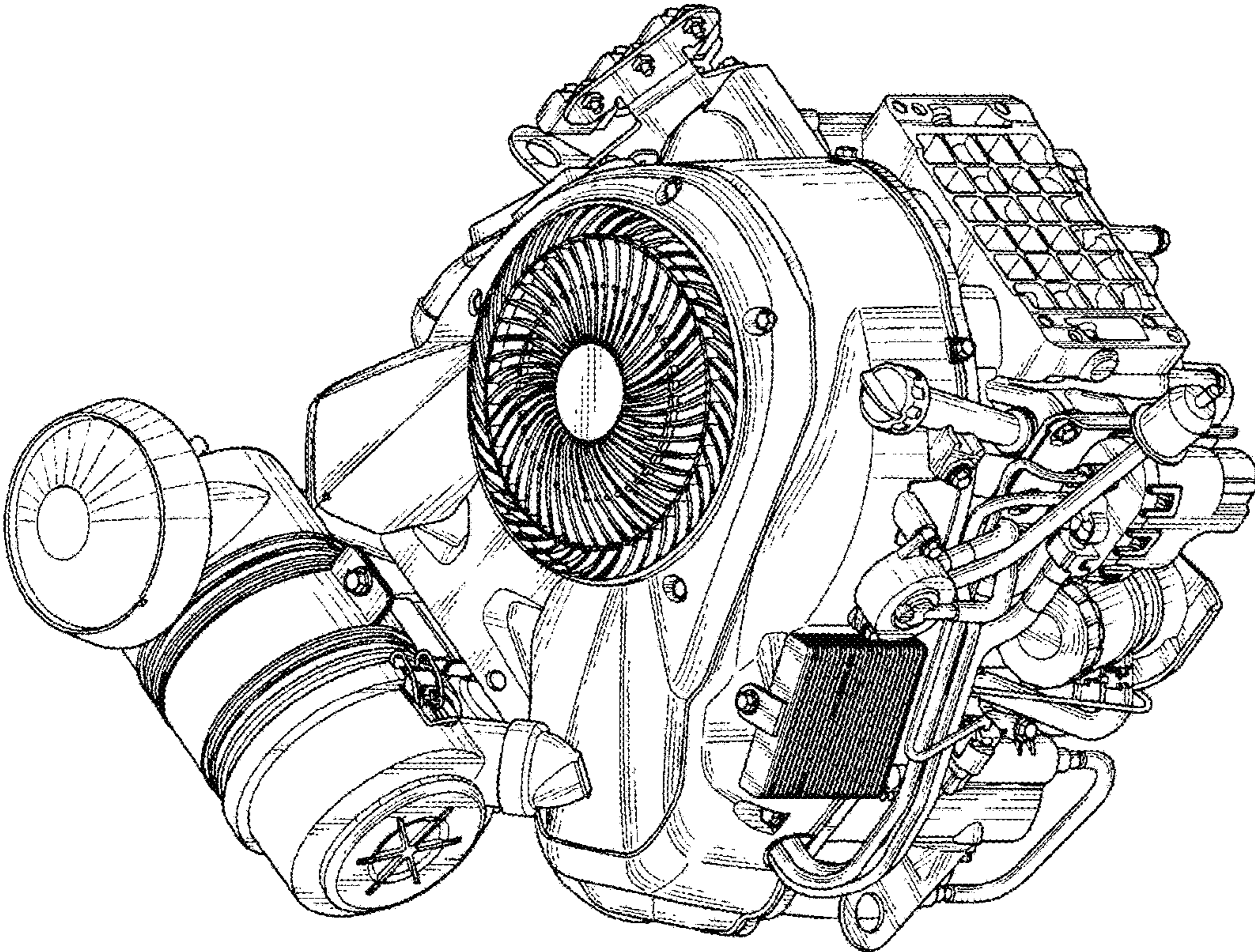


FIG. 2

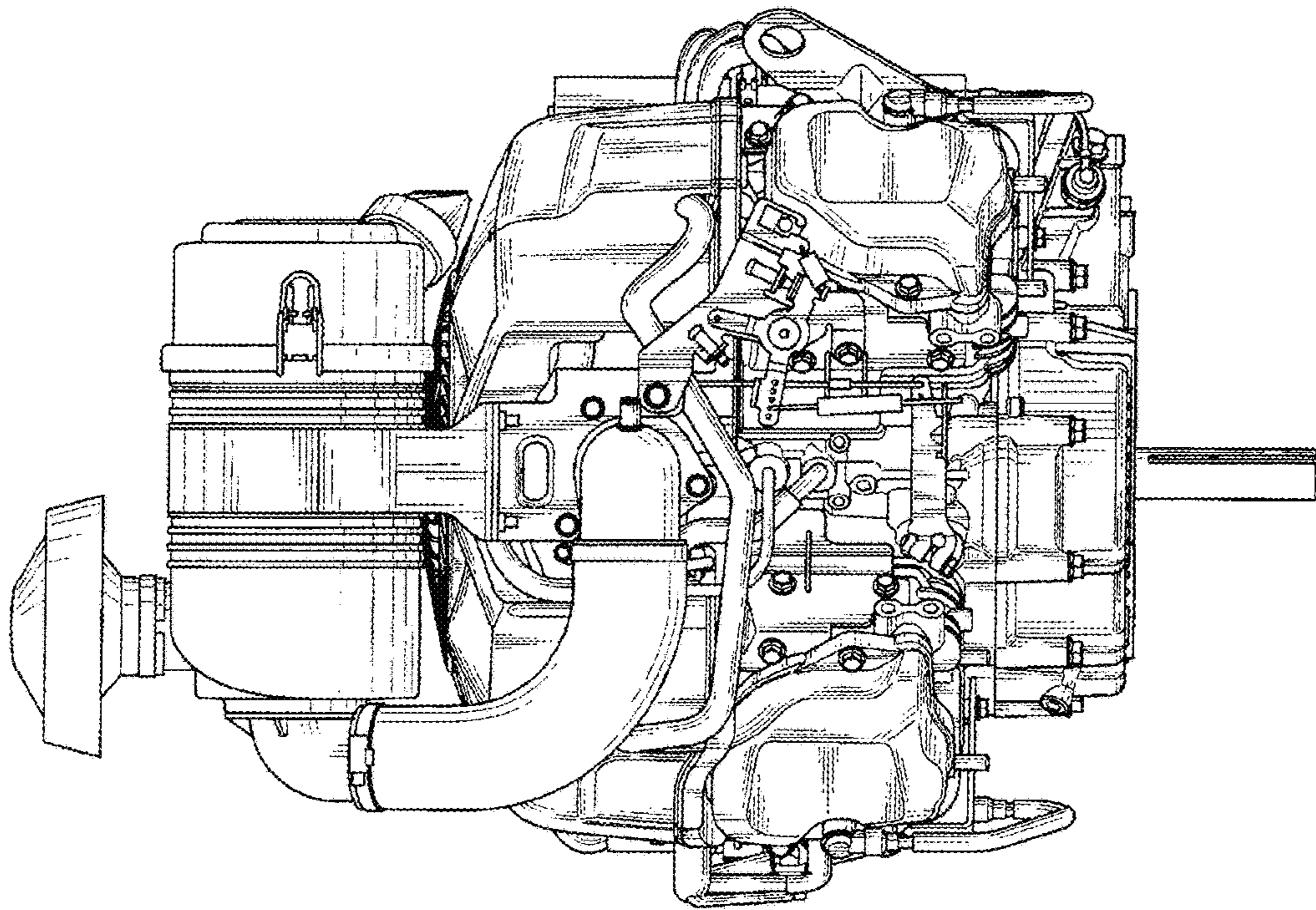


FIG. 3

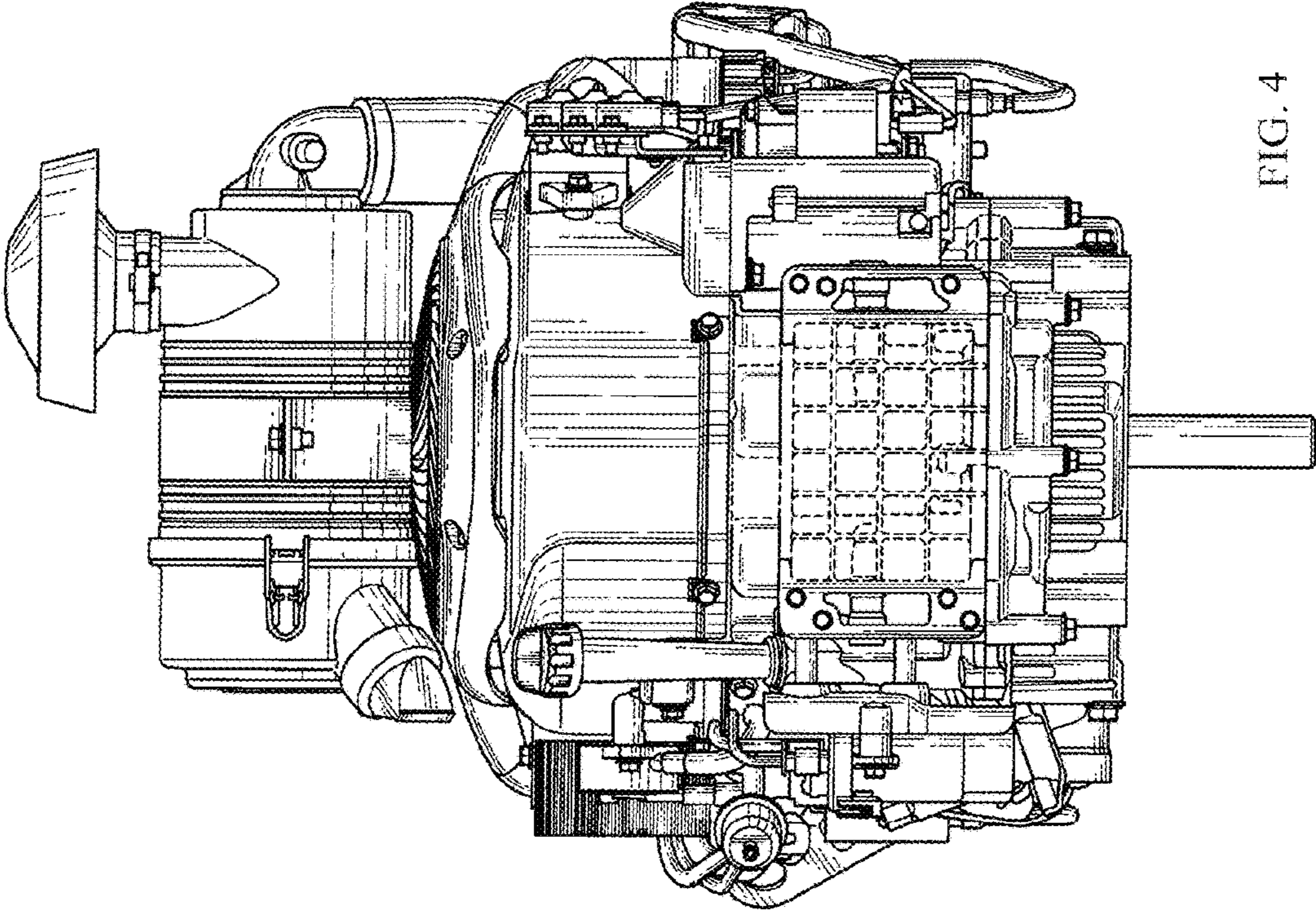


FIG. 4

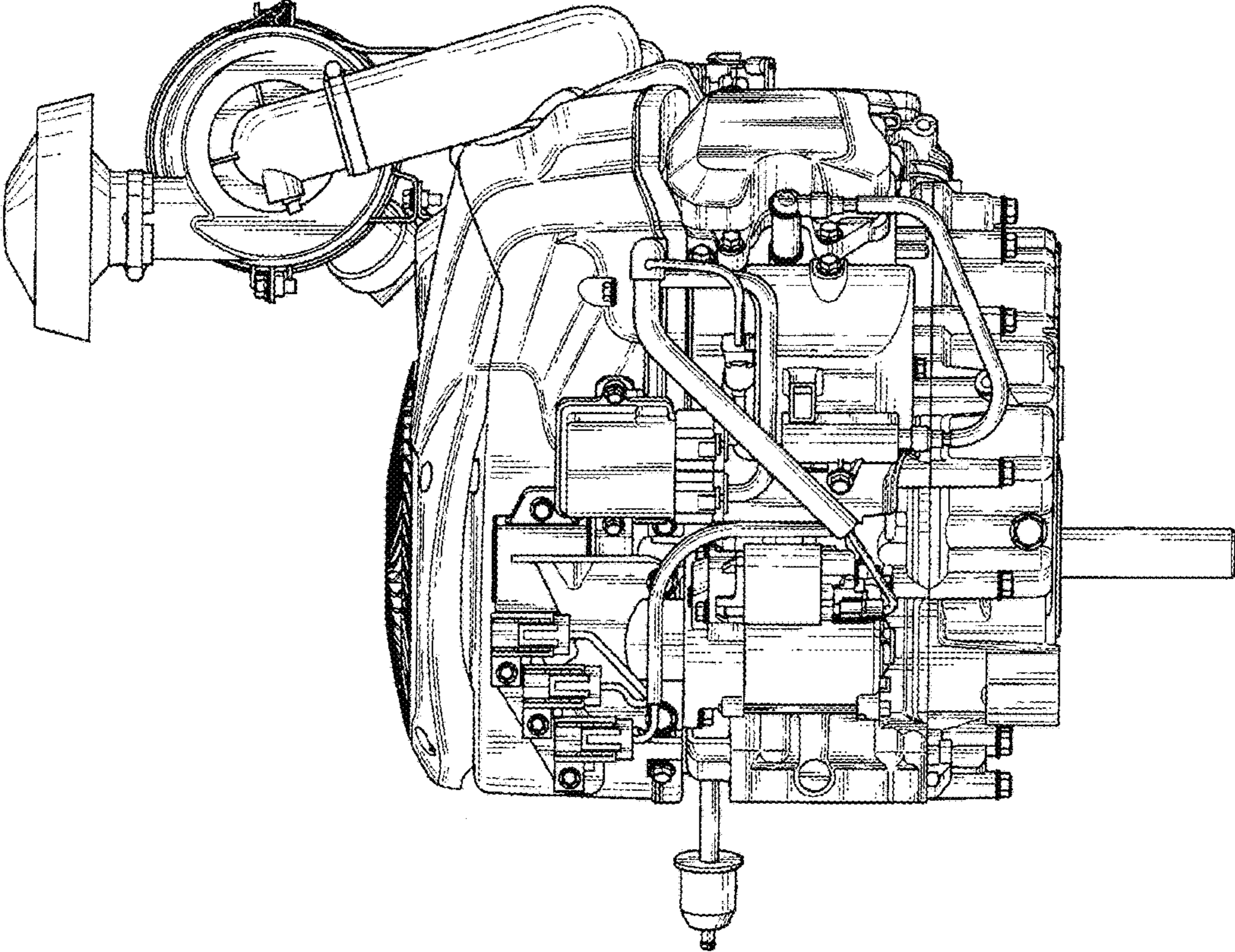


FIG. 5

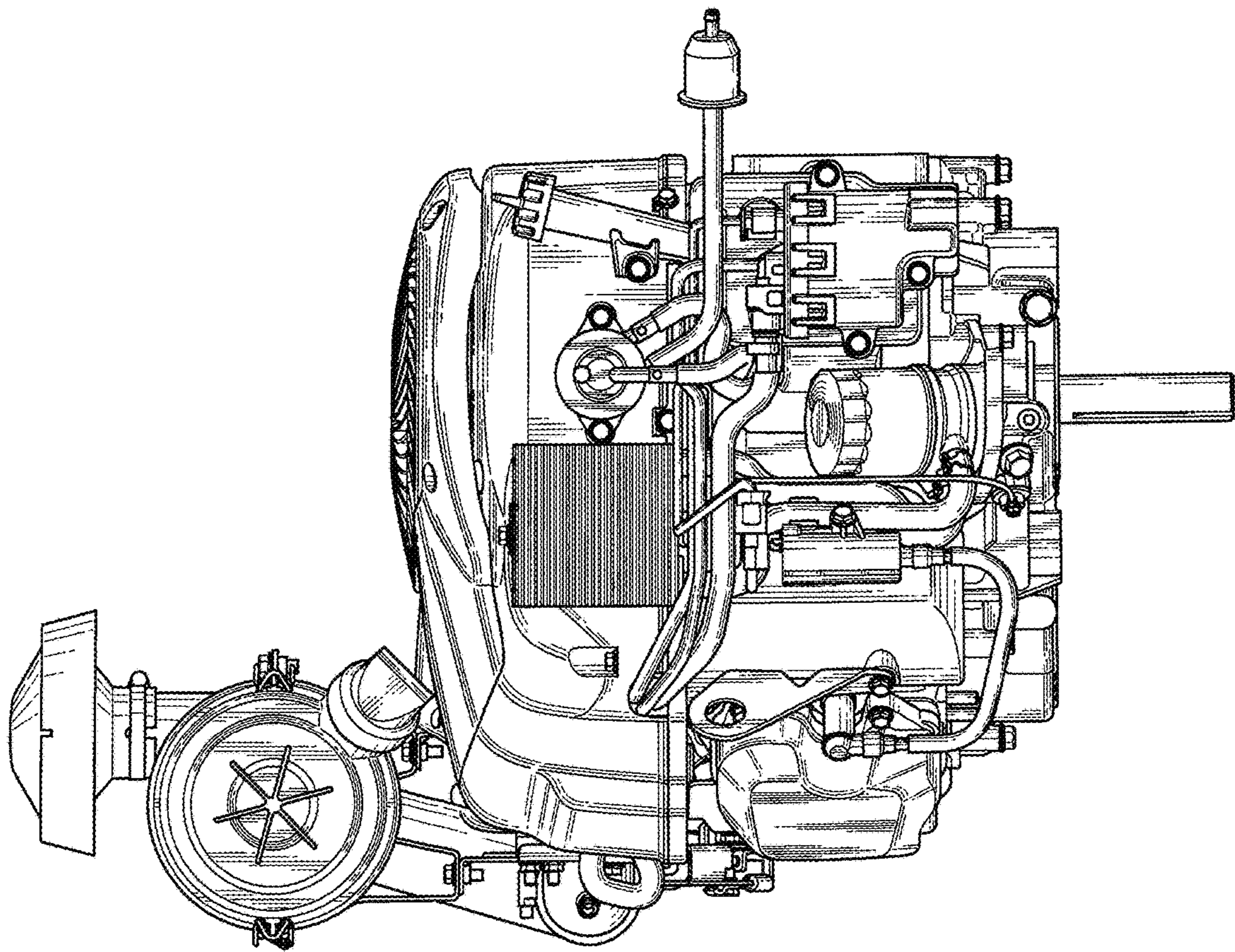


FIG. 6

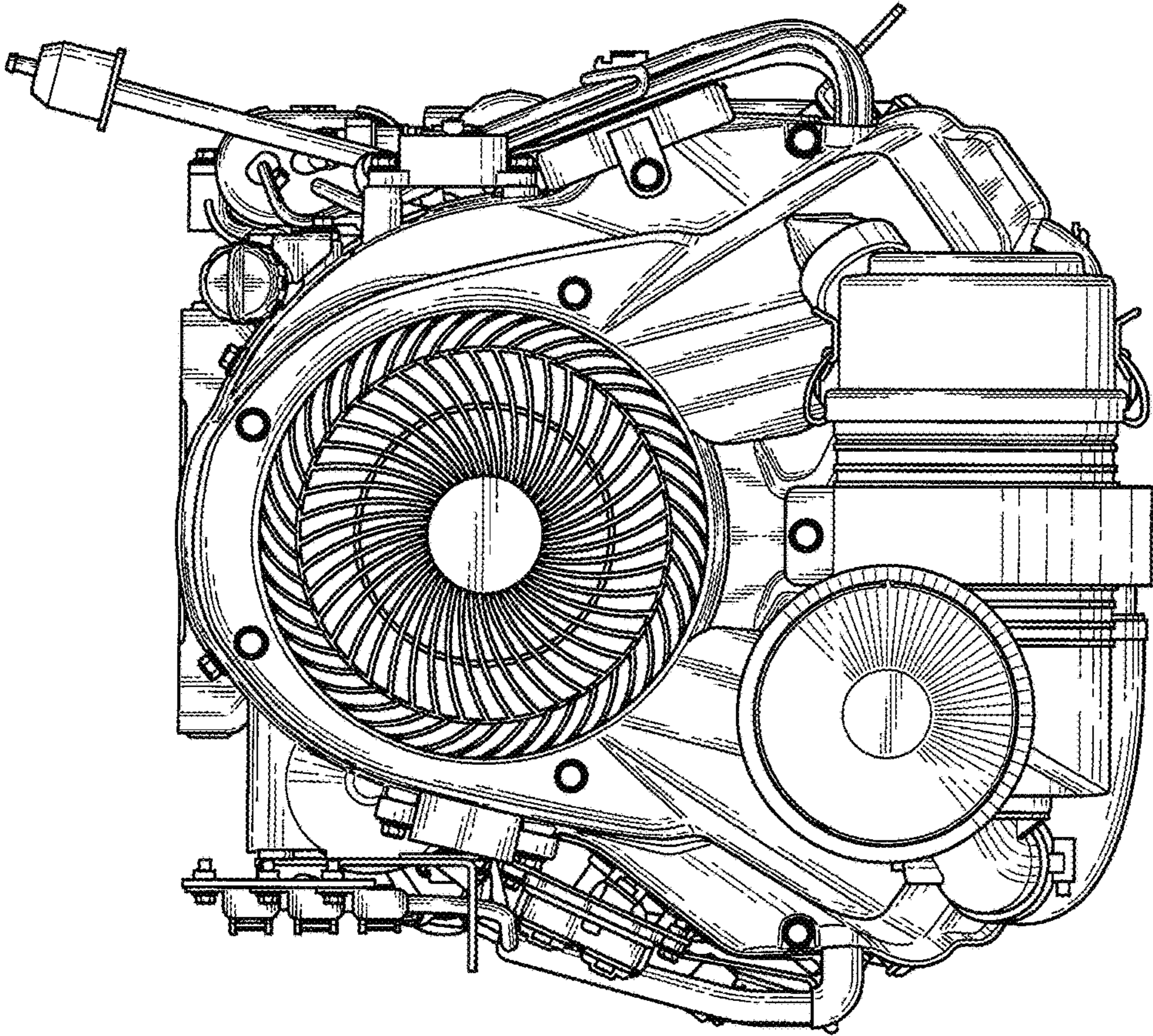


FIG. 7

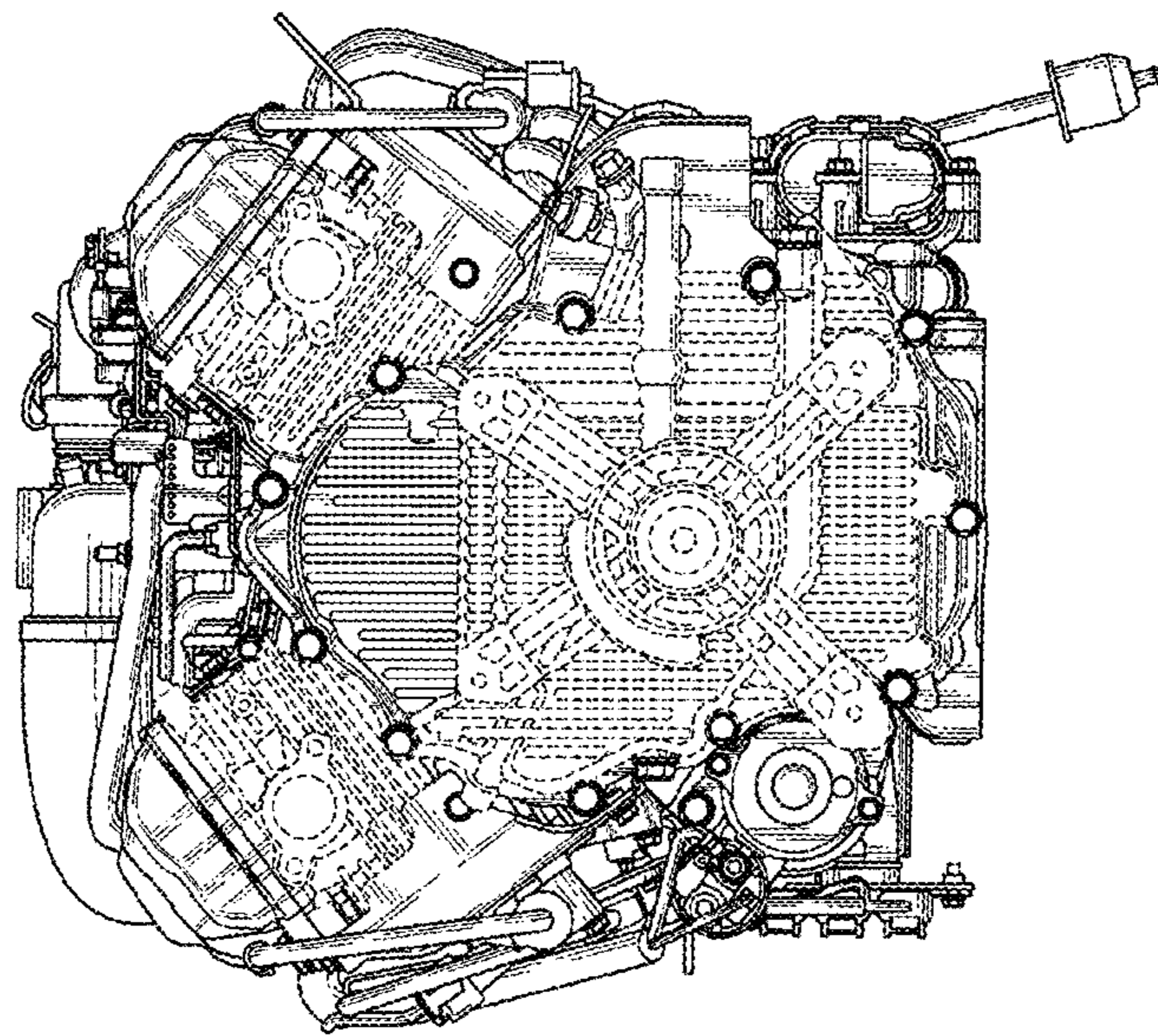


FIG. 8