



US00D786307S

(12) **United States Design Patent** (10) **Patent No.:** **US D786,307 S**
Akana et al. (45) **Date of Patent:** **** May 9, 2017**

(54) **ELECTRONIC DEVICE**

(71) Applicant: **Apple Inc.**, Cupertino, CA (US)

(72) Inventors: **Jody Akana**, San Francisco, CA (US);
Bartley K. Andre, Palo Alto, CA (US);
Shota Aoyagi, San Francisco, CA (US);
Jeremy Bataillou, San Francisco, CA (US);
Daniel J. Coster, San Francisco, CA (US);
Daniele De Iuliis, San Francisco, CA (US);
M. Evans Hankey, San Francisco, CA (US);
Julian Hoenig, San Francisco, CA (US);
Richard P. Howarth, San Francisco, CA (US);
Jonathan P. Ive, San Francisco, CA (US);
Duncan Robert Kerr, San Francisco, CA (US);
Matthew Dean Rohrbach, San Francisco, CA (US);
Peter Russell-Clarke, San Francisco, CA (US);
Mikael Silvano, San Francisco, CA (US);
Christopher J. Stringer, Woodside, CA (US);
Eugene Antony Whang, San Francisco, CA (US);
Rico Zörkendörfer, San Francisco, CA (US)

(73) Assignee: **Apple Inc.**, Cupertino, CA (US)

(**) Term: **15 Years**

(21) Appl. No.: **29/563,665**

(22) Filed: **May 6, 2016**

Related U.S. Application Data

(63) Continuation of application No. 29/545,929, filed on Nov. 17, 2015, which is a continuation of application (Continued)

(51) **LOC (10) Cl.** **14-03**

(52) **U.S. Cl.**
USPC **D14/496**

(58) **Field of Classification Search**

USPC D14/496, 203.1-203.8, 302, 447, 356;
D25/1, 15, 23, 32, 33, 16; D6/640, 641,
D6/643; 312/114, 118, 140.2, 249.1,
312/351.1, 352, 7.2, 107; 273/148 B;
463/1, 46, 47; 345/156; 348/794, 836;
361/679.01, 679.02, 679.04, 679.06, 825;
211/26; 248/917-924

(Continued)

(56) **References Cited**

U.S. PATENT DOCUMENTS

3,693,807 A 9/1972 Larson
3,727,000 A 4/1973 Lollos

(Continued)

Primary Examiner — Prabhakar Deshmukh

(74) *Attorney, Agent, or Firm* — Saidman DesignLaw Group, LLC

(57) **CLAIM**

The ornamental design for an electronic device, as shown and described.

DESCRIPTION

FIG. 1 is a bottom perspective view of an electronic device showing our new design;

FIG. 2 is a top perspective view thereof;

FIG. 3 is a first side view thereof;

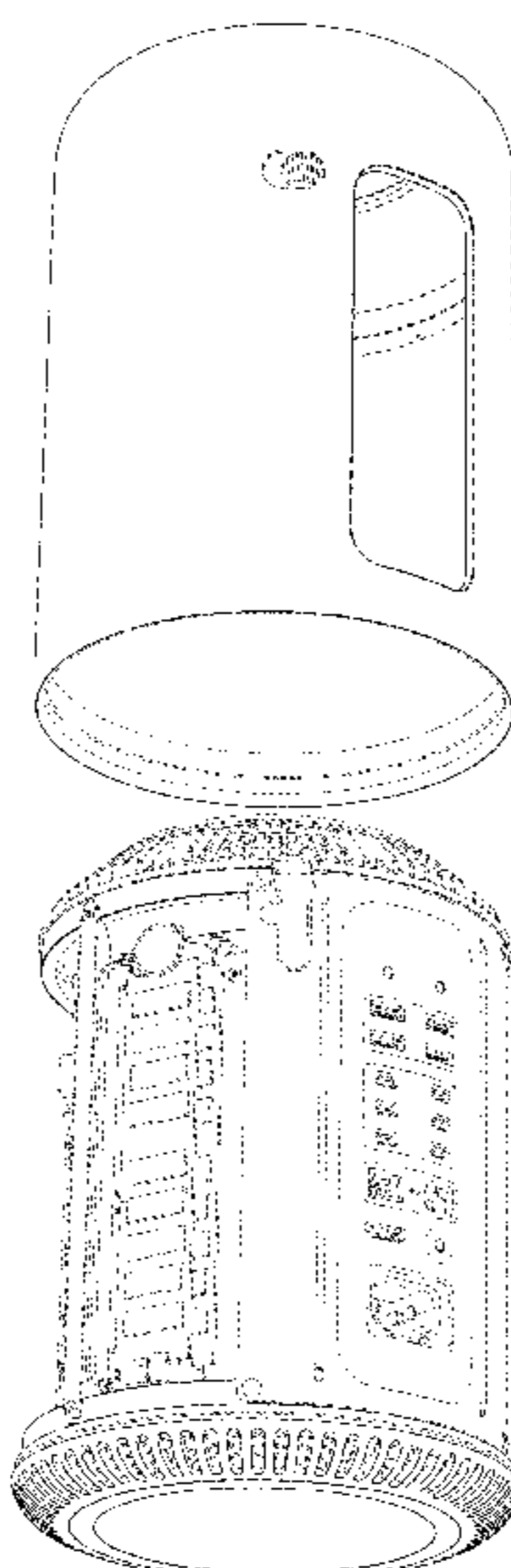
FIG. 4 is a second side view thereof, rotated by 90° clockwise from the first side view;

FIG. 5 is a third side view thereof, rotated 180° clockwise from the first side view; and,

FIG. 6 is a fourth side view thereof, rotated 270° clockwise from the first side view.

The broken lines illustrate structure which forms no part of the claimed design.

1 Claim, 6 Drawing Sheets



Related U.S. Application Data

No. 29/504,186, filed on Oct. 2, 2014, now Pat. No. Des. 746,869, which is a continuation of application No. 29/457,337, filed on Jun. 9, 2013, now Pat. No. Des. 717,341.

(58) **Field of Classification Search**

CPC G06F 1/00; G06F 1/16; H05K 7/00
See application file for complete search history.

(56) **References Cited**

U.S. PATENT DOCUMENTS

D227,897	S	7/1973	Lubkin	
3,998,334	A	12/1976	Smith	
D244,980	S	7/1977	Kippenbrock et al.	
D265,176	S	6/1982	Bock	
4,349,899	A *	9/1982	Komatsu	G04B 21/04 368/273
4,484,827	A *	11/1984	Price, Jr.	B43K 5/14 101/103
D289,757	S	5/1987	House	
4,739,339	A *	4/1988	DeYoung	B41J 2/17593 347/86
D335,683	S	5/1993	Smith	
D345,217	S	3/1994	Pearlson	
D346,155	S	4/1994	More	
5,663,746	A	9/1997	Pellenberg et al.	
D391,943	S	3/1998	Han	
D391,944	S	3/1998	Han	
D393,247	S	4/1998	Cheng	
5,807,096	A *	9/1998	Shin	F21V 23/04 431/253
5,825,721	A *	10/1998	Miyane	G10F 1/06 368/10

D409,585	S	5/1999	Fenner et al.	
5,913,019	A	6/1999	Attenberg	
6,033,209	A	3/2000	Shin et al.	
6,078,848	A	6/2000	Bernstein et al.	
D436,630	S	1/2001	Gonsiorowski et al.	
6,289,326	B1	9/2001	LaFleur	
D456,807	S	5/2002	Floyd	
D462,776	S	9/2002	Bain et al.	
D464,347	S	10/2002	Floyd	
D471,189	S	3/2003	Bradley et al.	
D491,937	S	6/2004	Retourne et al.	
D496,038	S	9/2004	Floyd	
6,870,739	B2	3/2005	Groos et al.	
D505,426	S	5/2005	Lin	
D507,789	S	7/2005	Mangano	
D509,825	S	9/2005	Chen	
7,151,672	B2	12/2006	Campbell	
D555,524	S *	11/2007	Jacobsen	D10/75
D577,719	S	9/2008	Kobeli et al.	
D581,927	S	12/2008	Sumii	
D589,013	S	3/2009	Pozin et al.	
D590,391	S	4/2009	Sumii	
D590,788	S	4/2009	Pozin et al.	
D598,018	S	8/2009	Sumii	
D600,694	S	9/2009	Sumii	
8,488,307	B2	7/2013	Cheng et al.	
D694,746	S	12/2013	Akana et al.	
8,739,992	B2 *	6/2014	Ogata	B29C 45/14622 132/286
D713,405	S *	9/2014	Akana	D14/349
D716,289	S *	10/2014	Park	D14/314
D717,342	S	11/2014	Berk et al.	
D719,561	S *	12/2014	Akana	D14/314
D729,809	S	5/2015	Akana et al.	
D739,397	S	9/2015	Akana et al.	
2013/0039001	A1	2/2013	Jau et al.	

* cited by examiner

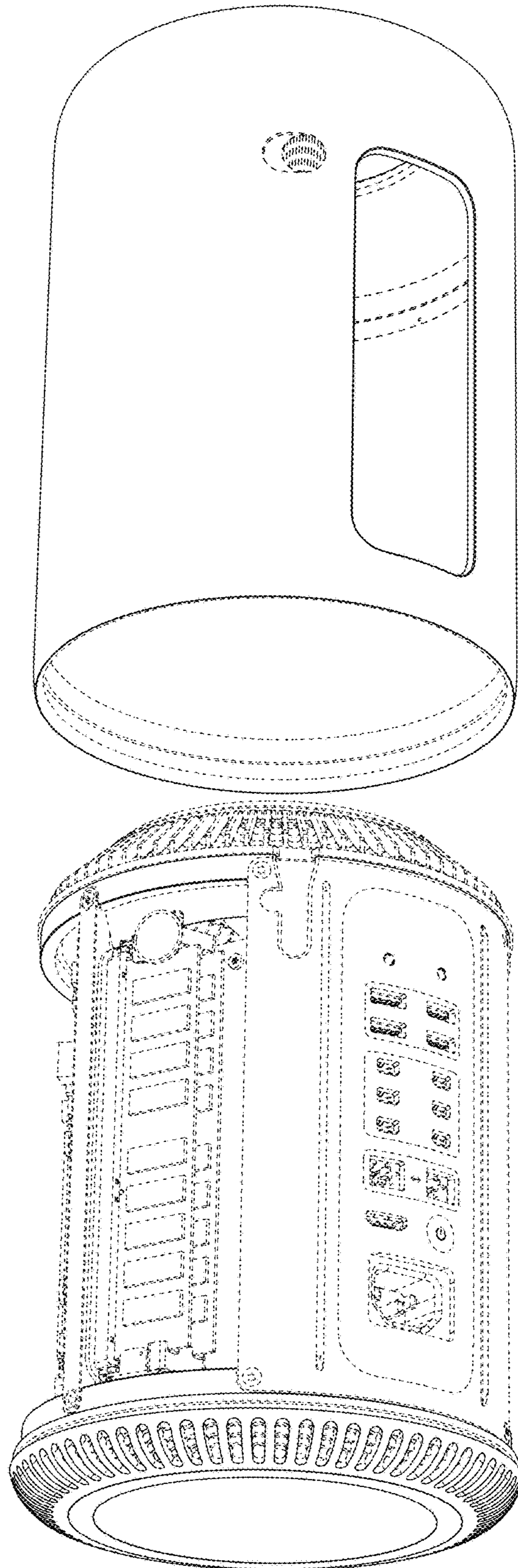


FIG. 1

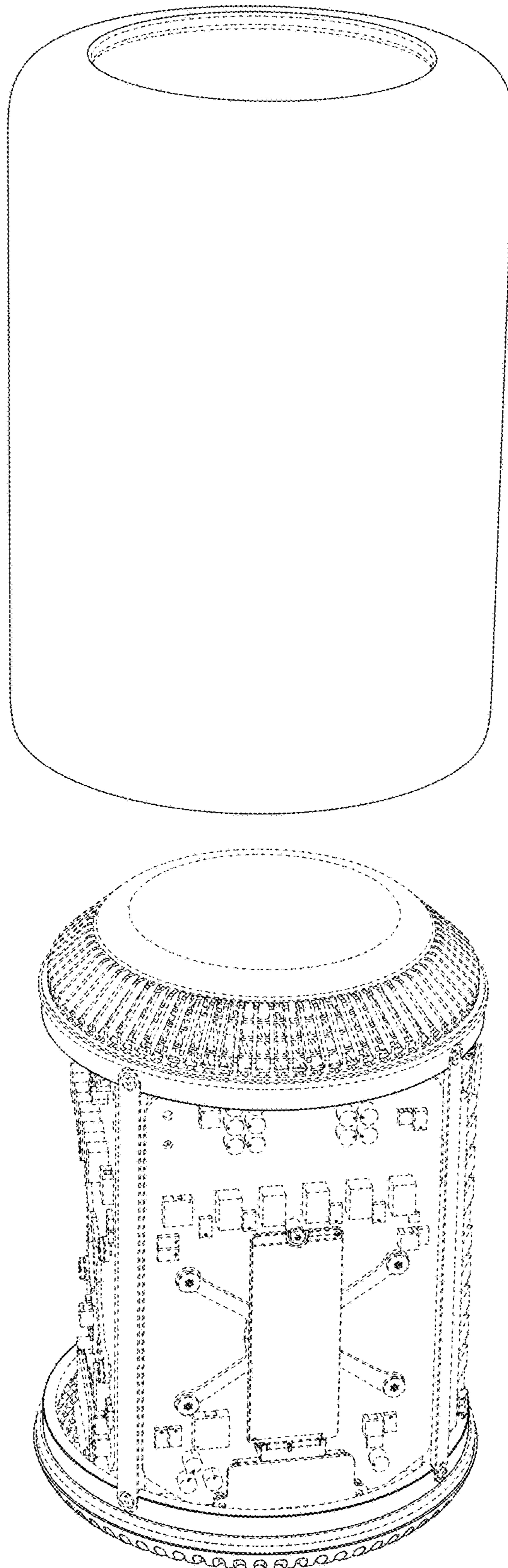


FIG. 2

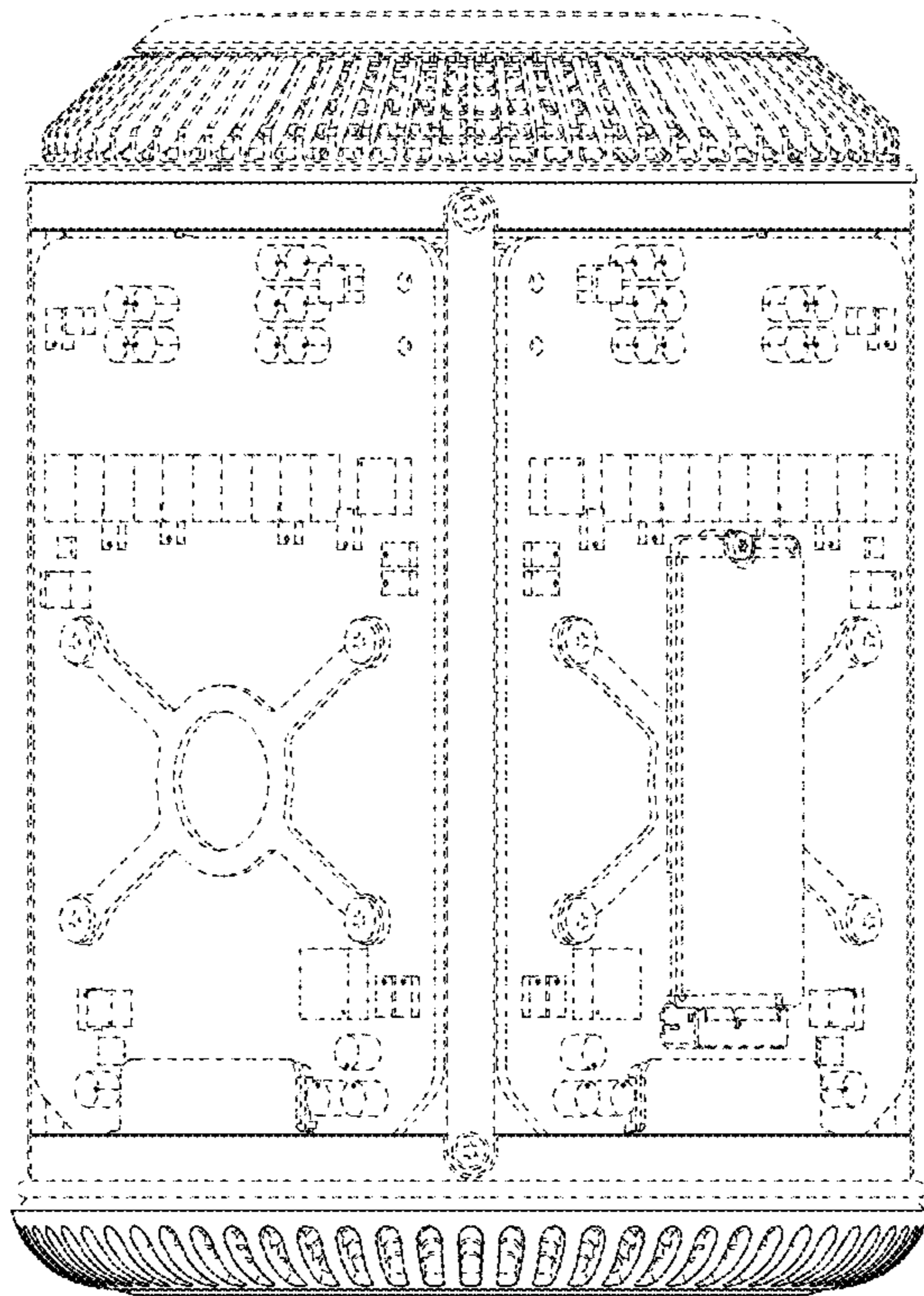
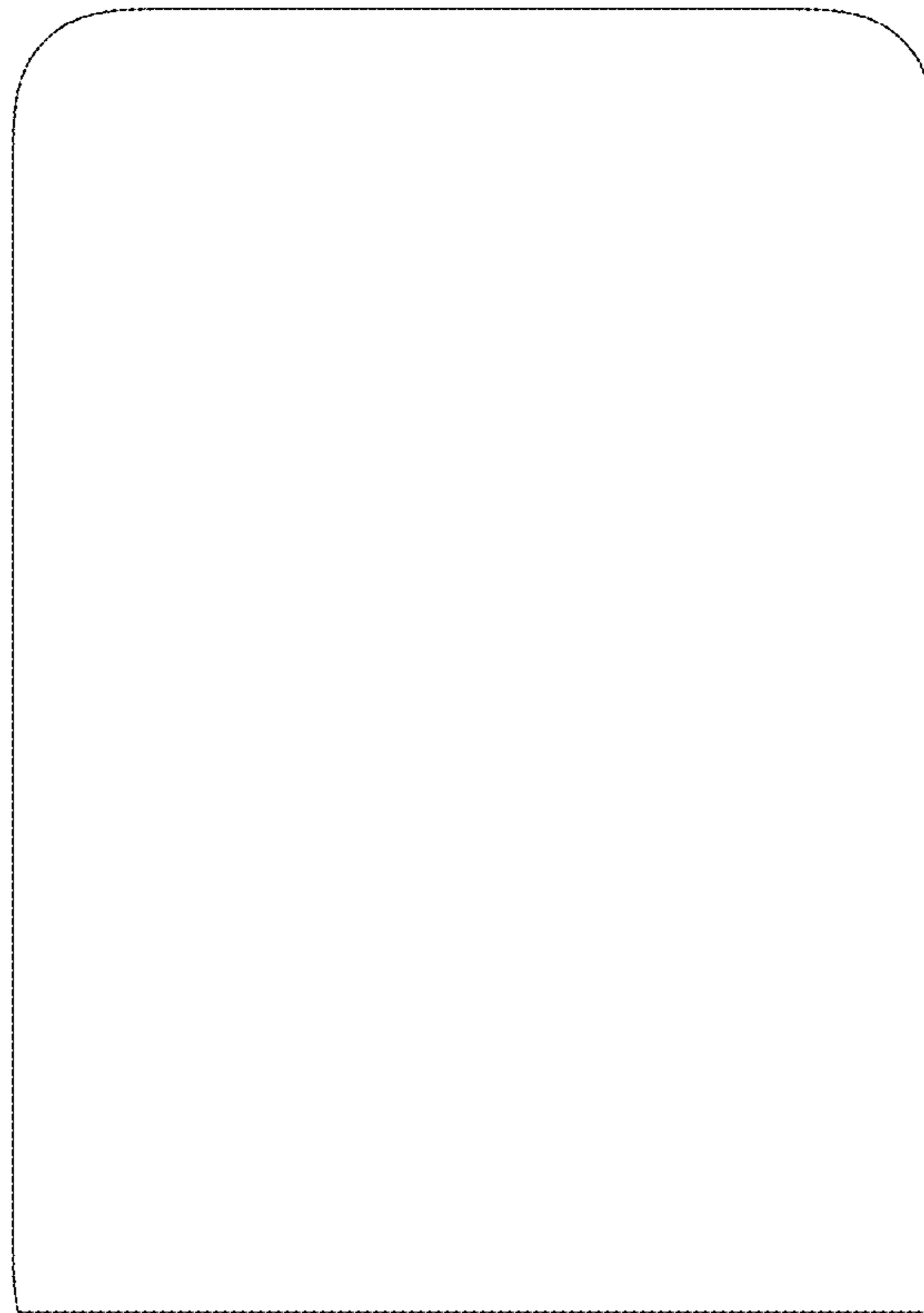


FIG. 3

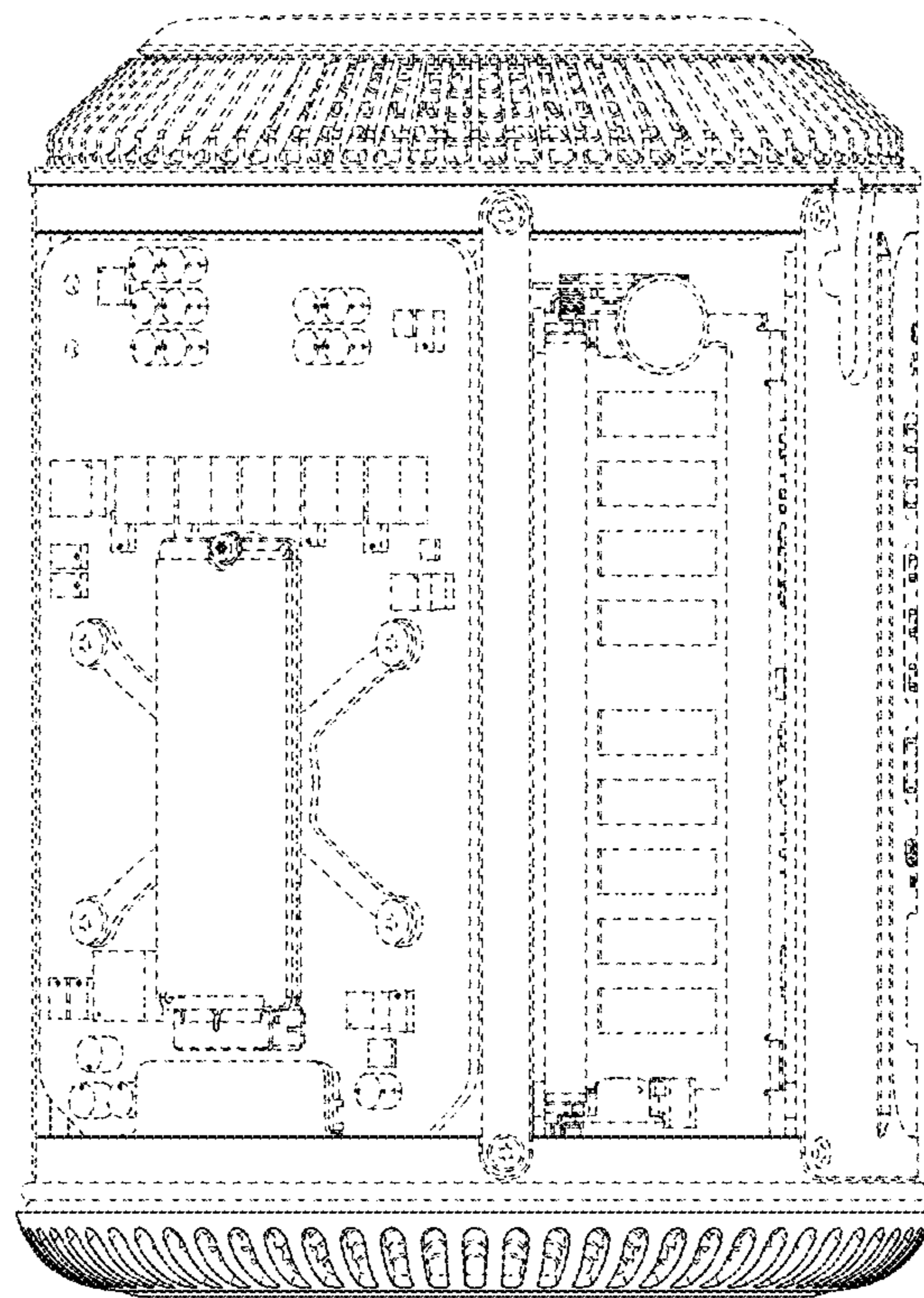
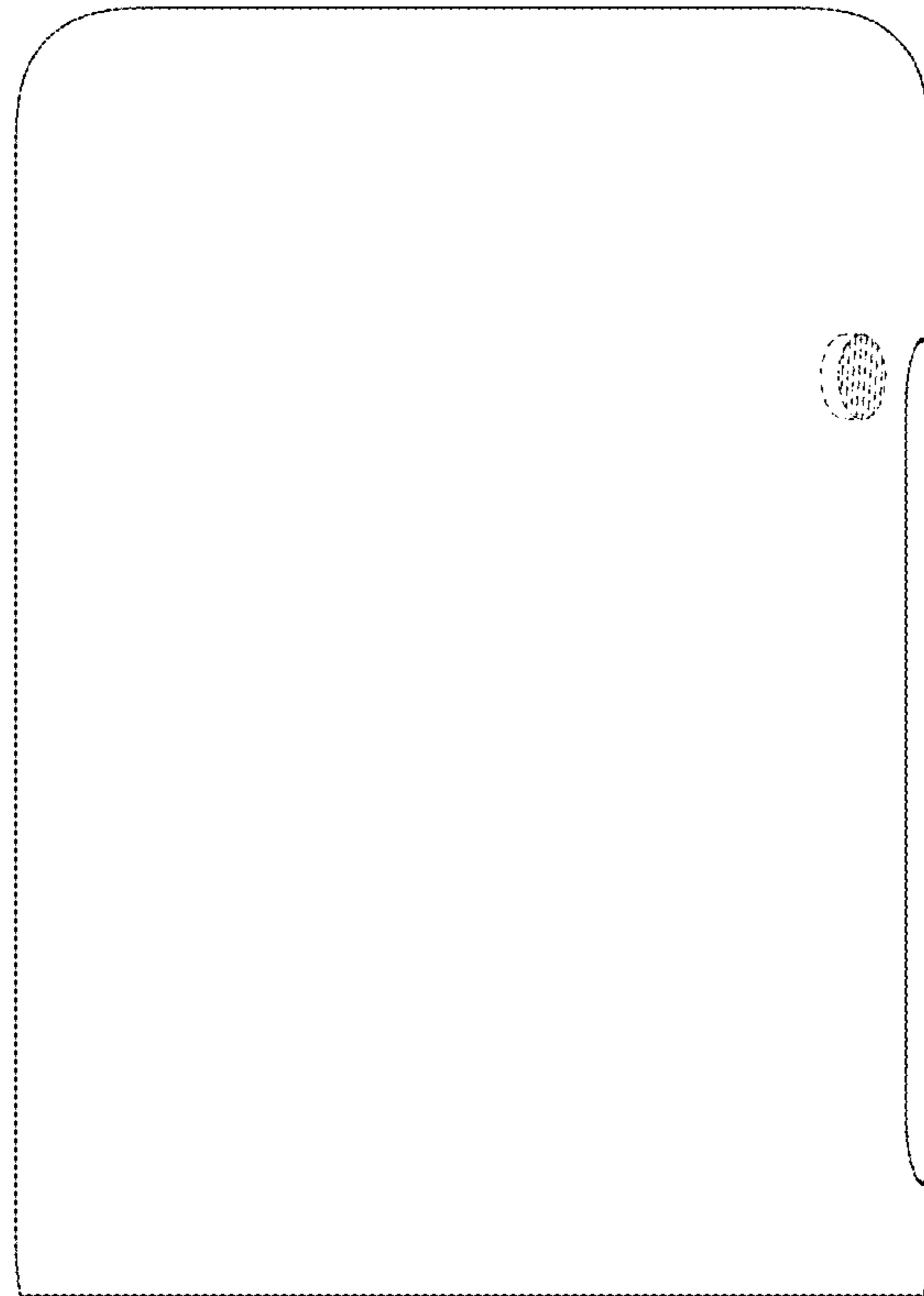


FIG. 4

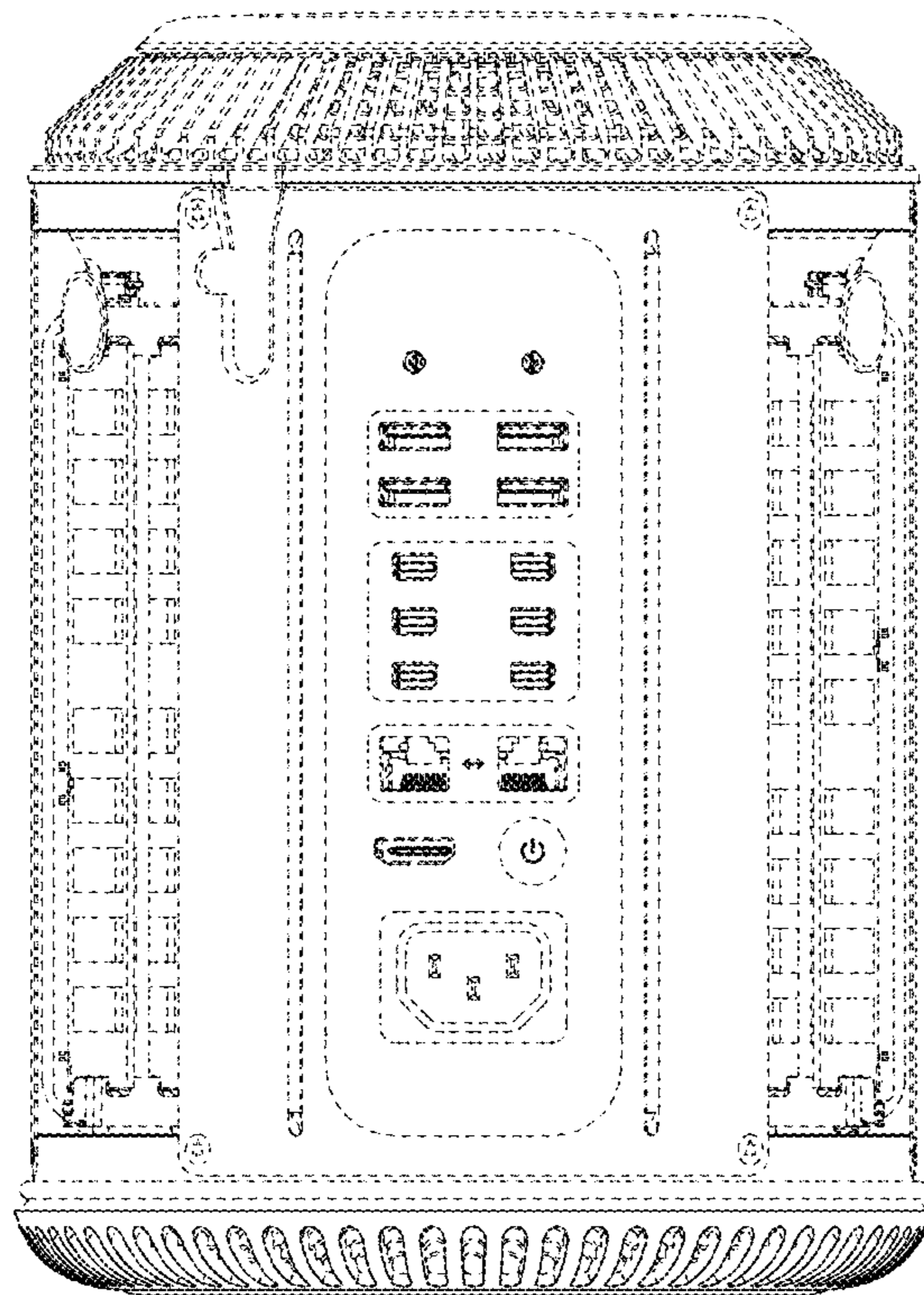
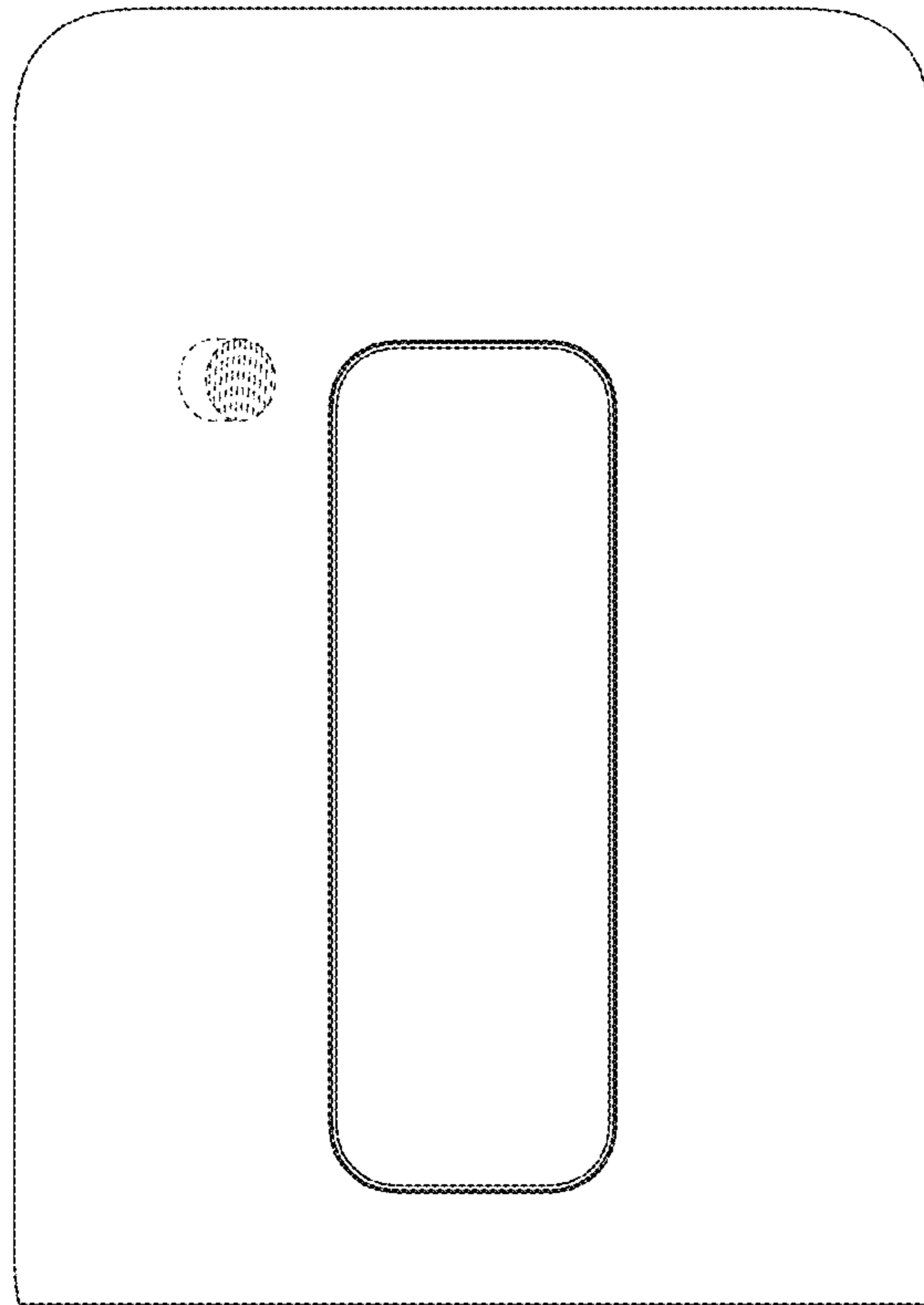


FIG. 5

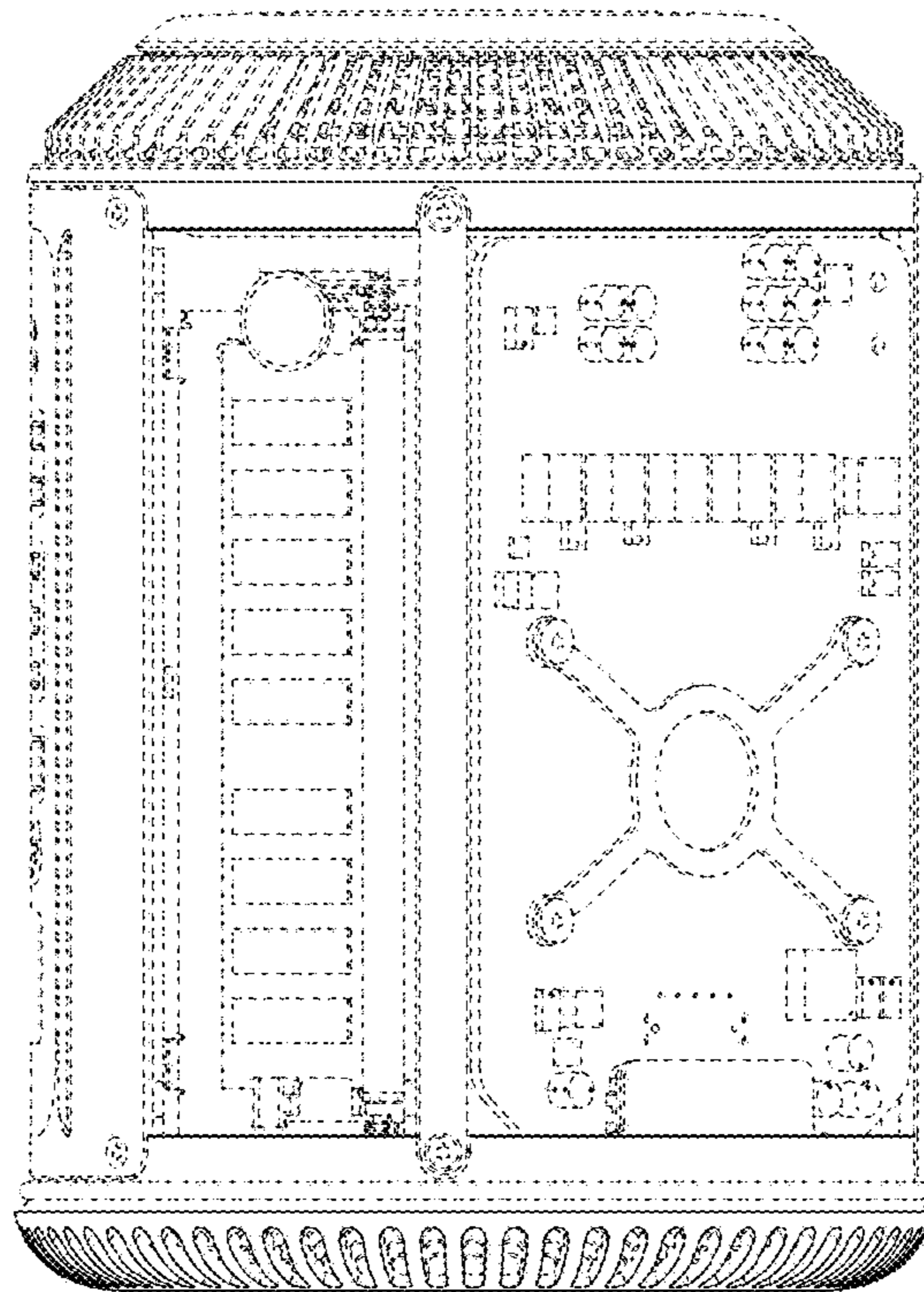
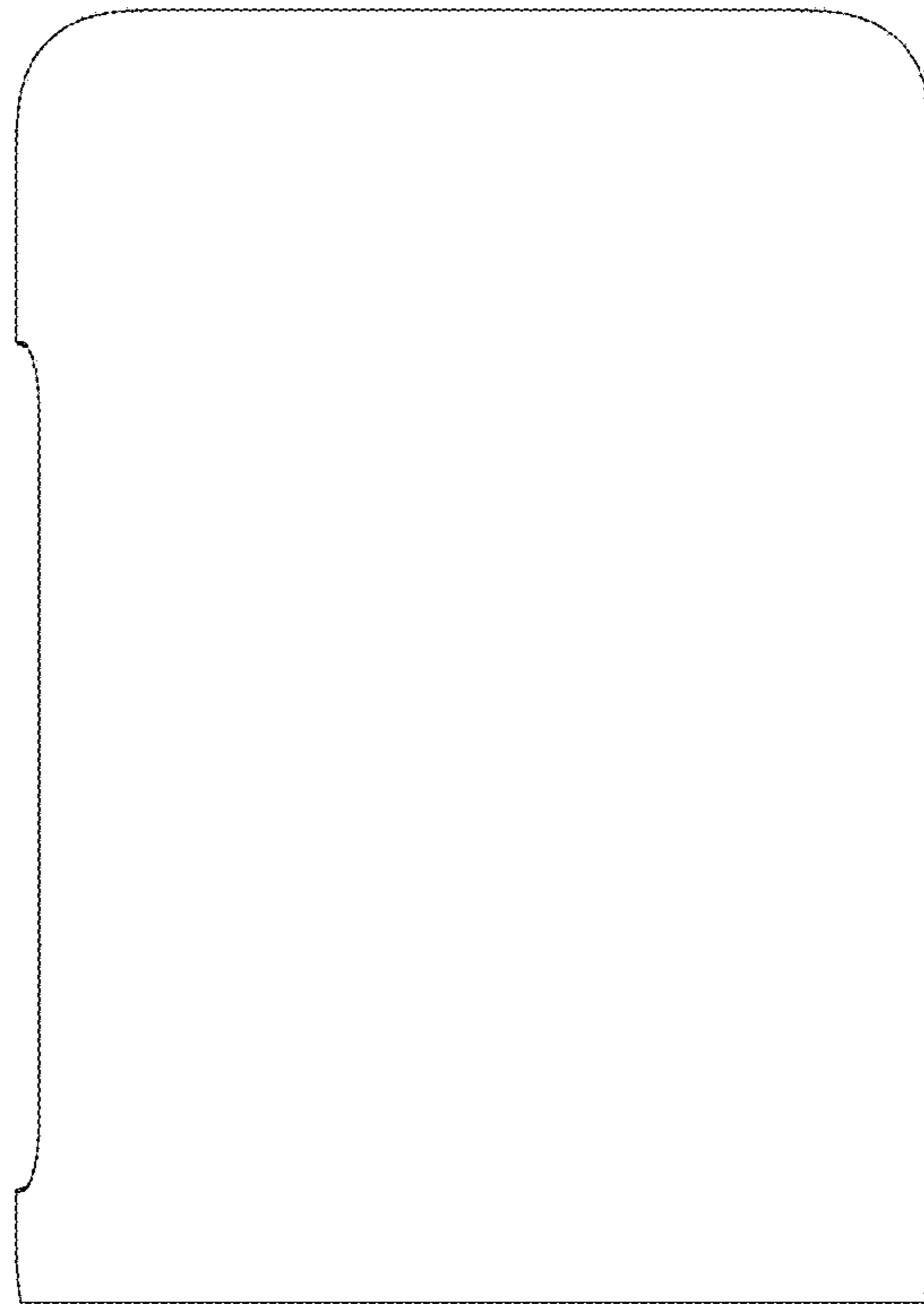


FIG. 6