



US00D786304S

(12) **United States Design Patent**
Cronin et al.

(10) **Patent No.:** **US D786,304 S**

(45) **Date of Patent:** **** May 9, 2017**

(54) **COMPUTER DISPLAY OR PORTION THEREOF WITH ICON**

(71) Applicant: **General Electric Company**,
Schenectady, NY (US)

(72) Inventors: **David Cronin**, San Ramon, CA (US);
Antoine Veliz, San Ramon, CA (US);
Andrew Crow, San Ramon, CA (US)

(73) Assignee: **GENERAL ELECTRIC COMPANY**,
Schenectady, NY (US)

(**) Term: **14 Years**

(21) Appl. No.: **29/509,751**

(22) Filed: **Nov. 20, 2014**

(51) **LOC (10) Cl.** **14-04**

(52) **U.S. Cl.**
USPC **D14/491**; D14/485

(58) **Field of Classification Search**
USPC D14/485-495; 715/763, 834, 772
CPC ... G06F 3/04847; G06F 1/1692; G06T 13/80;
G06Q 10/063114; H04N 1/00477; G11B
27/34

See application file for complete search history.

(56) **References Cited**

U.S. PATENT DOCUMENTS

- D307,127 S * 4/1990 Simons D12/192
- 5,978,720 A * 11/1999 Hieronymus A01D 41/127
340/438
- 6,352,003 B1 * 3/2002 Erben B60K 37/02
73/866.3
- 6,667,726 B1 * 12/2003 Damiani B60K 35/00
340/461
- 6,870,469 B2 * 3/2005 Ueda B60K 35/00
340/438
- 7,143,363 B1 * 11/2006 Gaynor B63J 99/00
340/461

- D533,474 S * 12/2006 Megale D10/102
- D552,121 S * 10/2007 Carl D14/488
- D555,164 S * 11/2007 Sergio D14/486
- D602,037 S * 10/2009 Nash D14/486
- 7,726,255 B2 * 6/2010 Nakamichi B60K 35/00
116/300
- 8,311,656 B2 * 11/2012 Carrier G10H 1/0008
700/94

(Continued)

OTHER PUBLICATIONS

Shutterstock—High Low Stock Photos, Illustrations, and Vector Art (on-line), no date available. Retrieved from Internet Apr. 8, 2016, URL: <http://www.shutterstock.com/s/high+low/search.html?page=1&inline=263299412> (2 pages).*

Primary Examiner — Barbara Fox

Assistant Examiner — Kimberly Barnes

(74) *Attorney, Agent, or Firm* — Hanley, Flight and Zimmerman, LLC

(57) **CLAIM**

The ornamental design for a computer display or portion thereof with icon, substantially as shown and described.

DESCRIPTION

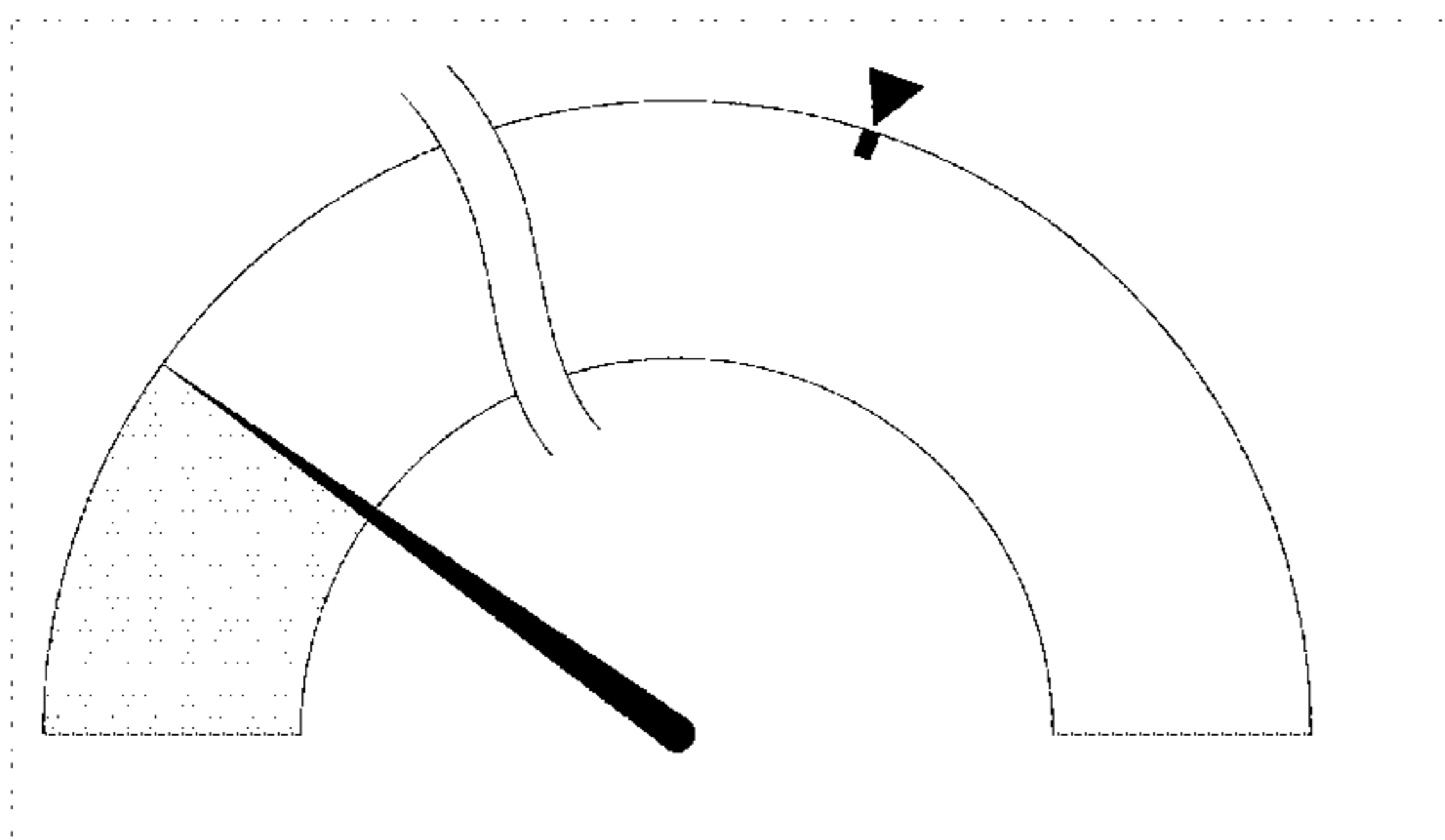
A portion of the disclosure of this patent document contains material which a claim for copyright is made. The copyright owner has no objection to the facsimile reproduction by anyone of the patent document or the patent disclosure, as it appears in the US Patent and Trademark Office patent file or records, but reserves all other copyrights whatsoever.

FIG. 1 is a front view of a first embodiment of a computer display or portion thereof with icon showing our new design; and,

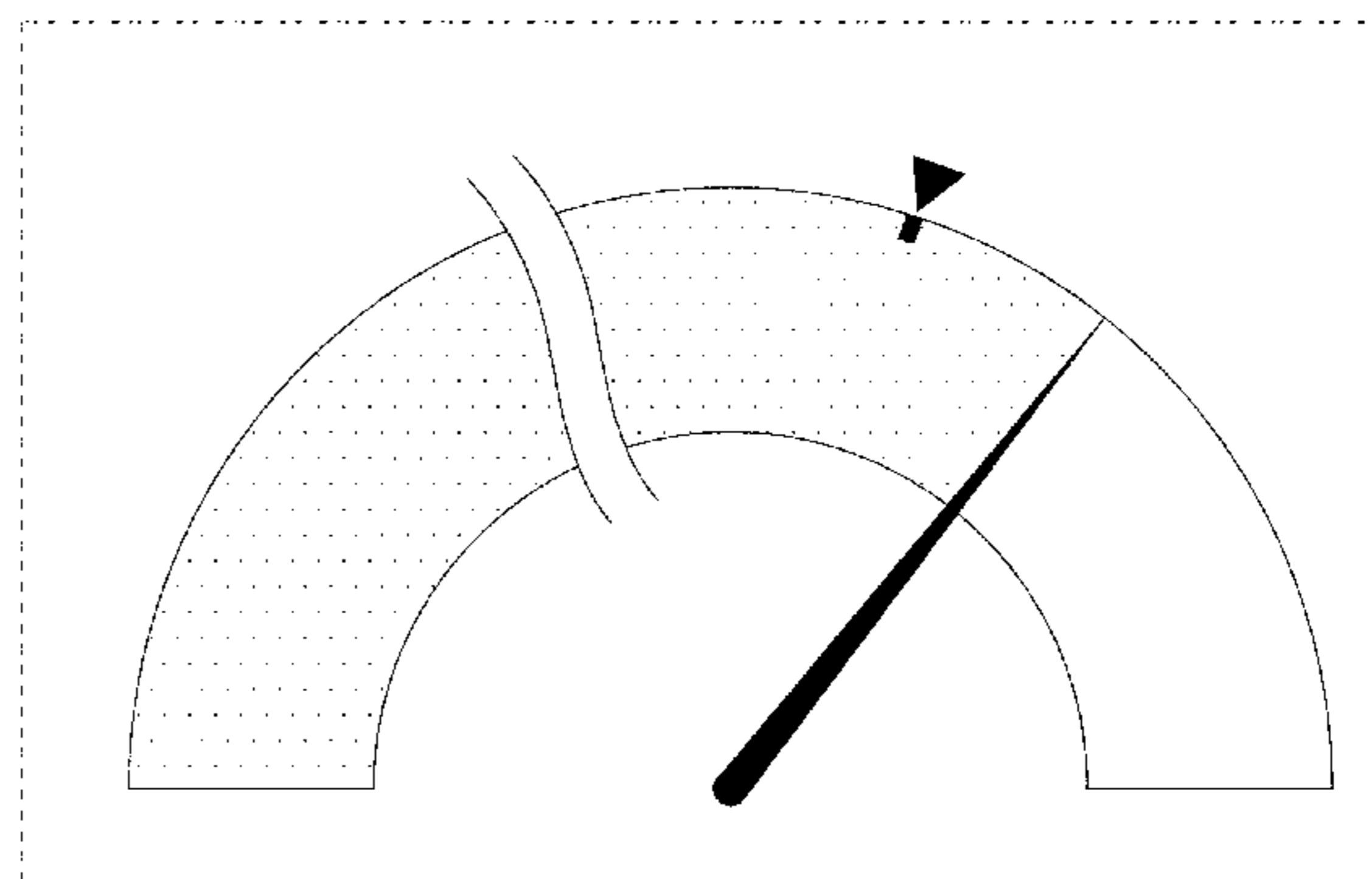
FIG. 2 is a front view of a second embodiment thereof.

The broken lines showing a display screen or portion thereof form no part of the claimed design.

1 Claim, 2 Drawing Sheets



© 2014 General Electric Company



© 2014 General Electric Company

(56)

References Cited

U.S. PATENT DOCUMENTS

8,370,742 B2 * 2/2013 Hieronymus A01D 41/127
715/702
8,386,961 B2 * 2/2013 Buffet G06F 3/0482
715/825
8,577,487 B2 * 11/2013 Tarte G06F 17/5095
700/97
8,810,574 B2 * 8/2014 Alsbury G06T 11/206
345/440
D718,327 S * 11/2014 Nies D14/486
8,996,397 B2 * 3/2015 Grace G06Q 10/06311
705/7.28
9,058,696 B2 * 6/2015 Omiya G06T 11/206
D736,827 S * 8/2015 Omiya D14/488
9,104,211 B2 * 8/2015 Fadell
D748,126 S * 1/2016 Sarukkai D14/486
2012/0131504 A1 * 5/2012 Fadell F24F 11/0086
715/810
2015/0100893 A1 * 4/2015 Cronin H04L 51/04
715/751
2015/0153918 A1 * 6/2015 Chen G06F 17/30312
715/771

* cited by examiner

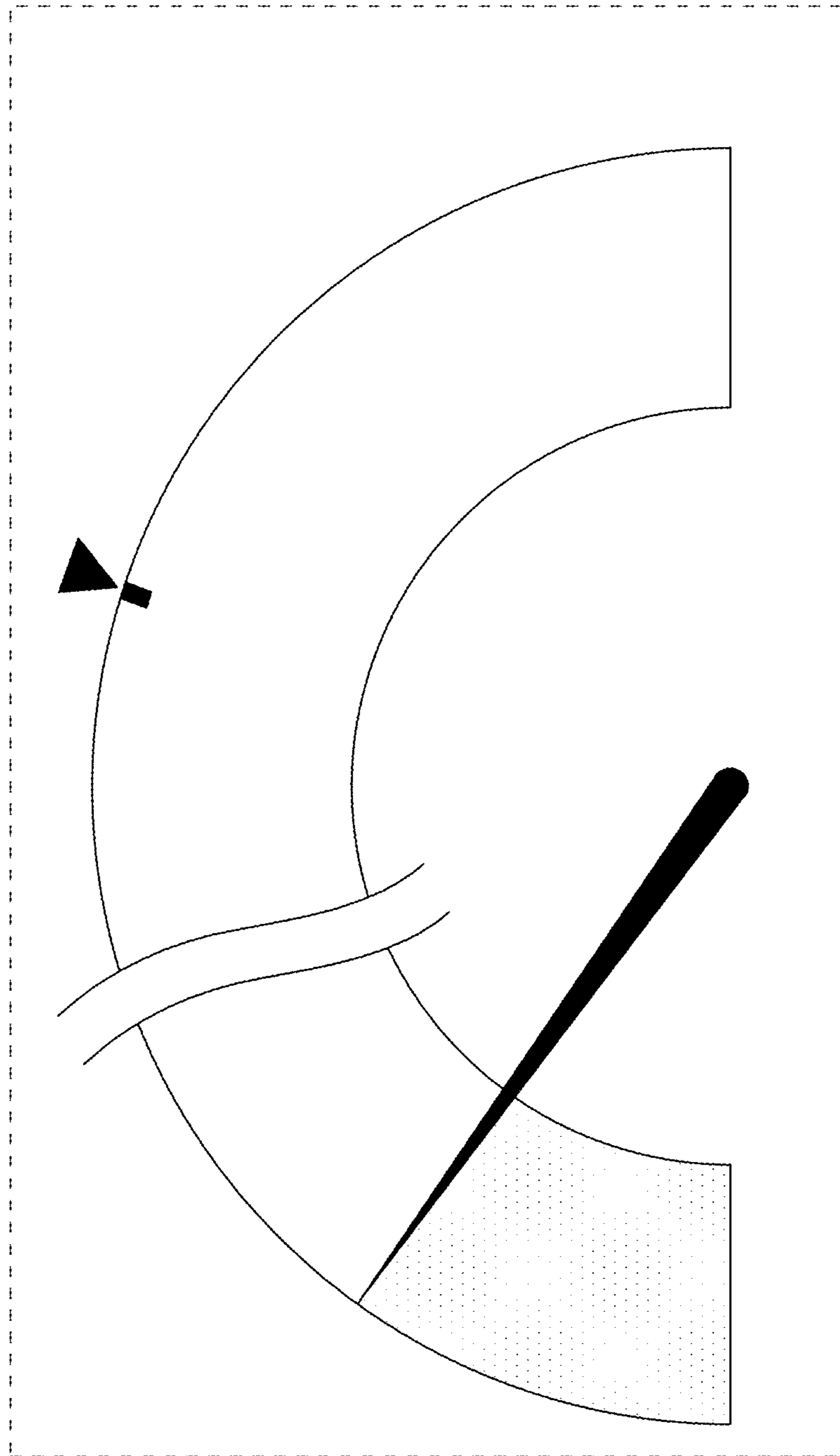


FIG. 1

© 2014 General Electric Company

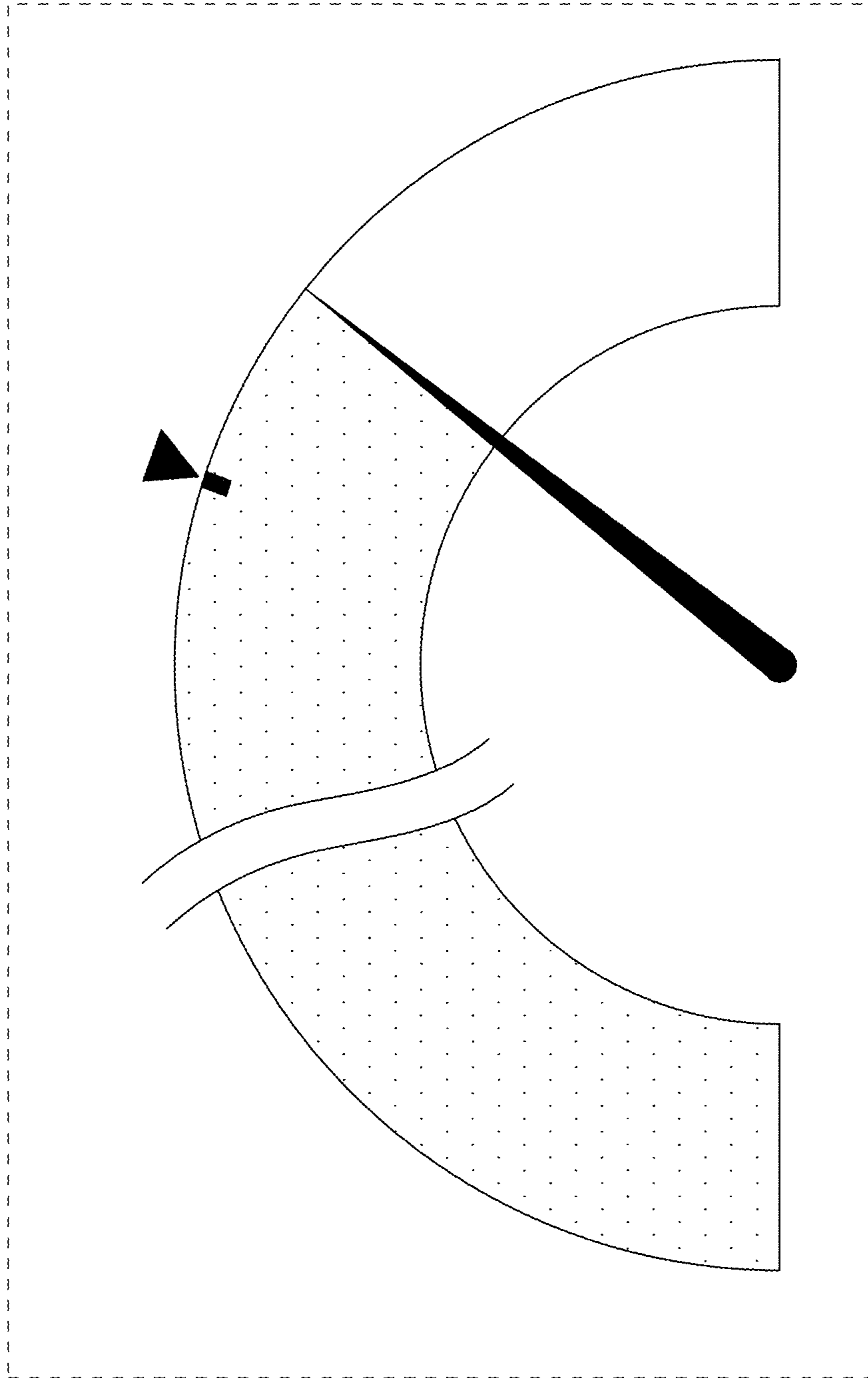


FIG. 2