



US00D786286S

(12) **United States Design Patent**  
**Kurecka**

(10) **Patent No.:** **US D786,286 S**

(45) **Date of Patent:** **\*\* May 9, 2017**

(54) **DISPLAY SCREEN OR PORTION THEREOF WITH GRAPHICAL USER INTERFACE**

D694,252 S \* 11/2013 Helm ..... D14/485  
D694,253 S \* 11/2013 Helm ..... D14/485  
2015/0277849 A1\* 10/2015 Beaumier ..... G06F 3/041  
715/716

(71) Applicant: **TD AMERITRADE IP COMPANY, INC.**, Omaha, NE (US)

(72) Inventor: **Christopher Joseph Kurecka**, Ann Arbor, MI (US)

(73) Assignee: **TD AMERITRADE IP COMPANY, INC.**, Omaha, NE (US)

(\*\*) Term: **15 Years**

(21) Appl. No.: **29/552,450**

(22) Filed: **Jan. 22, 2016**

(51) **LOC (10) Cl.** ..... **14-04**

(52) **U.S. Cl.**  
USPC ..... **D14/486**

(58) **Field of Classification Search**  
USPC ..... D14/485-495  
CPC ..... G06F 3/016; G06F 3/048; G06F 3/04817;  
G06F 3/0482; G06F 3/04842; G06F  
3/04847; G06F 3/0488; G06F 3/04883  
See application file for complete search history.

(56) **References Cited**

**U.S. PATENT DOCUMENTS**

D525,264 S \* 7/2006 Chotai ..... D14/486  
D652,047 S \* 1/2012 Forsythe ..... D14/485  
D652,048 S \* 1/2012 Joseph ..... D14/485  
D684,160 S \* 6/2013 Truelove ..... D14/485

**OTHER PUBLICATIONS**

U.S. Appl. No. 29/552,466, filed Jan. 22, 2016; Kurecka et al.

\* cited by examiner

*Primary Examiner* — Cathron Brooks

*Assistant Examiner* — Andrew Nemeth

(74) *Attorney, Agent, or Firm* — Sterne, Kessler, Goldstein & Fox P.L.L.C.

(57) **CLAIM**

The ornamental design for a display screen or portion thereof with graphical user interface, as shown and described.

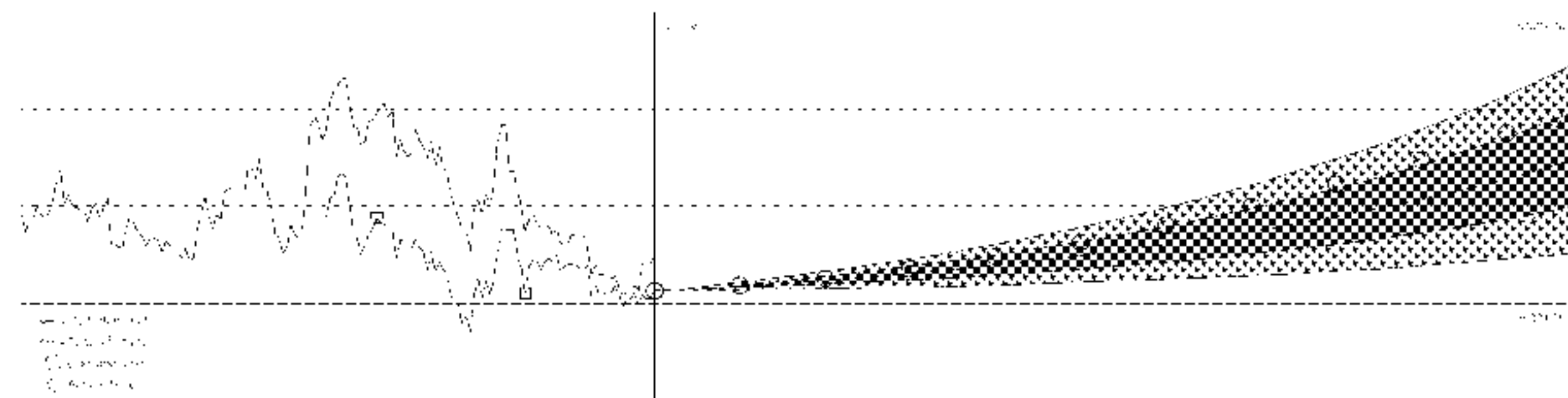
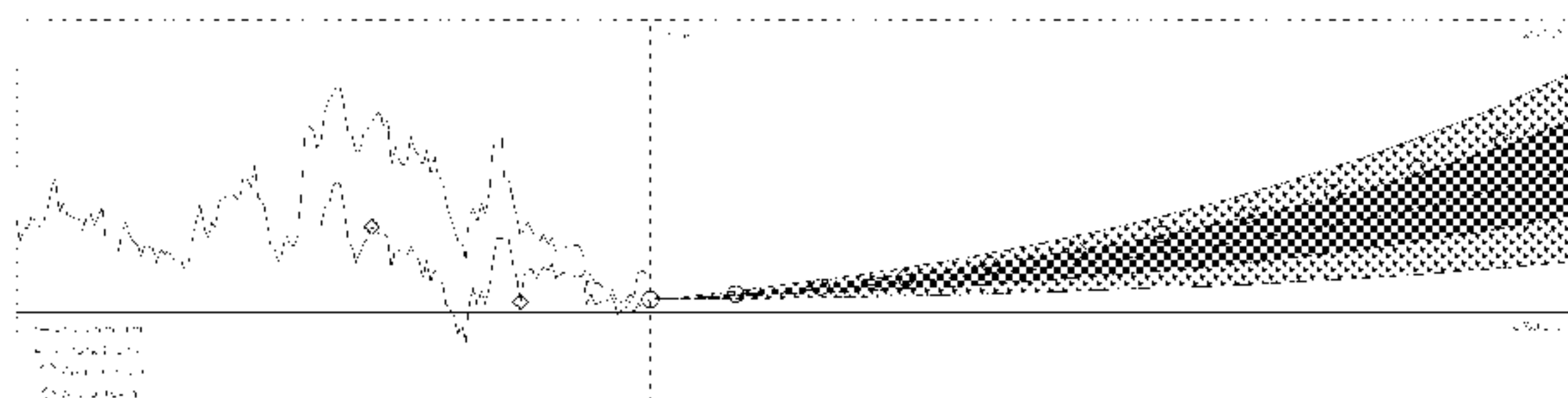
**DESCRIPTION**

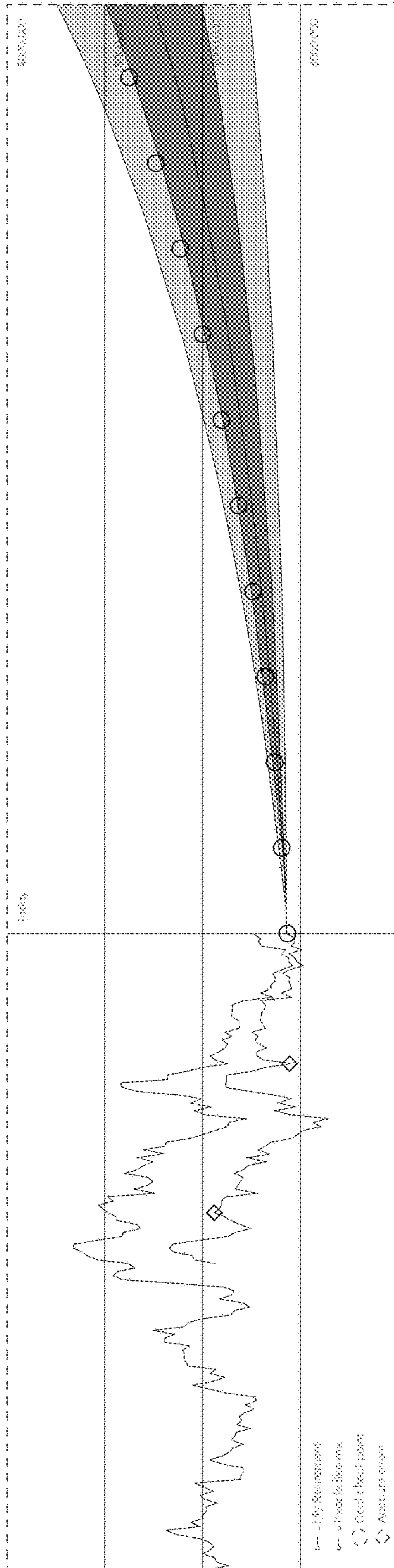
FIG. 1 is a front view of a display screen or portion thereof with graphical user interface showing my new design; and, FIG. 2 is another embodiment thereof.

The outermost broken lines in the figures show a display screen or portion thereof, and form no part of the claimed design. The other broken lines in the figures show portions of the graphical user interface that form no part of the claimed design.

The figures are illustrated to show a contrasting appearance. The lighter contrast areas illustrate an appearance. The darker contrast area illustrates a different appearance.

**1 Claim, 2 Drawing Sheets**





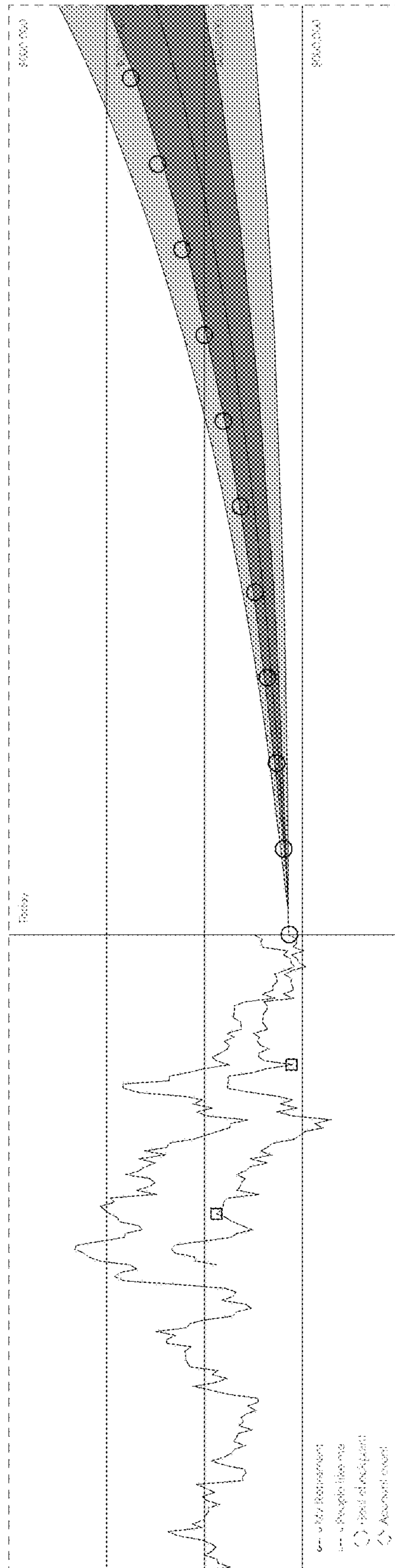


FIG. 2