



US00D786268S

(12) **United States Design Patent** (10) **Patent No.:** **US D786,268 S**
Blanchard (45) **Date of Patent:** **** May 9, 2017**

(54) **DISPLAY SCREEN OR PORTION THEREOF WITH GRAPHICAL USER INTERFACE**

D686,240 S * 7/2013 Lin D14/488
D737,286 S * 8/2015 Folken D14/485
D743,432 S * 11/2015 Sergeev D14/487

(71) Applicant: **Caterpillar Inc.**, Peoria, IL (US)

* cited by examiner

(72) Inventor: **Glen Peter Blanchard**, Upper Coomera (AU)

Primary Examiner — Angela J Lee

(74) *Attorney, Agent, or Firm* — Leonard Stewart

(73) Assignee: **Caterpillar Inc.**, Peoria, IL (US)

(57) **CLAIM**

The ornamental design for display screen or portion thereof with graphical user interface, as shown and described.

(**) Term: **14 Years**

DESCRIPTION

(21) Appl. No.: **29/492,334**

The patent or application file contains at least one drawing executed in color. Copies of this patent or patent application publication with color drawing(s) will be provided by the Office upon request and payment of the necessary fee.

(22) Filed: **May 30, 2014**

(51) **LOC (10) Cl.** **14-04**

(52) **U.S. Cl.**

USPC **D14/485**

(58) **Field of Classification Search**

CPC G06F 3/048; G06F 3/0481; G06F 3/04817; G06F 3/0482

See application file for complete search history.

FIG. 1 is a front view of a portion of a display screen showing a first embodiment of my new design; FIG. 2 is a front view of a portion of a display screen showing a second embodiment of my new design; FIG. 3 is a front view of a display screen or portion thereof showing a third embodiment of my new design; and, FIG. 4 is a front view of a display screen or portion thereof showing a fourth embodiment of my new design.

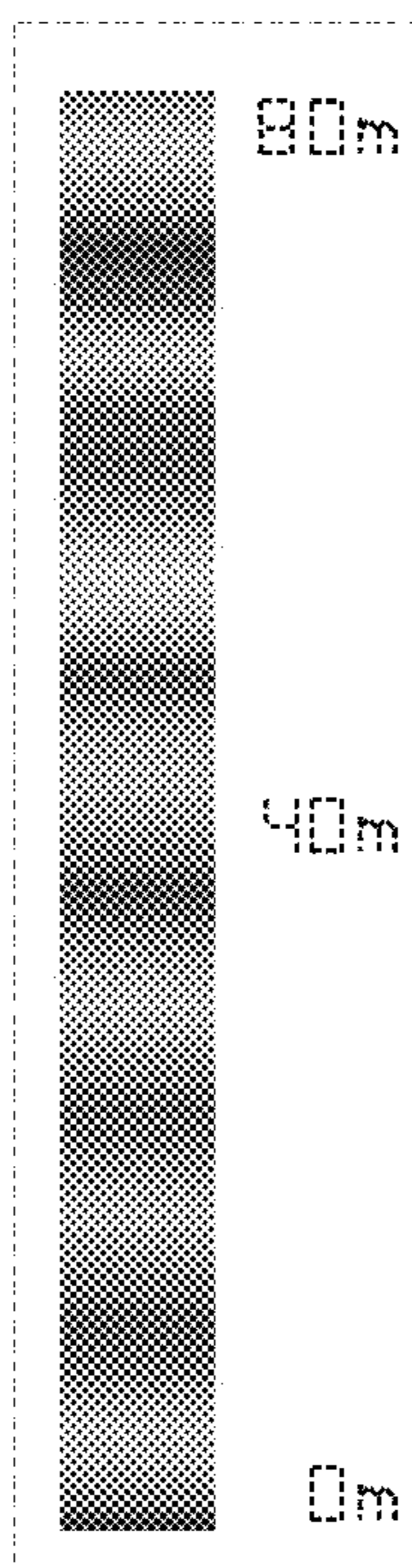
The peripheral broken lines represent a display screen or portion thereof and form no part of the claimed design. The broken lines within the peripheral broken lines, with the exception of the wavy broken lines, represent portions of the graphical user interface which form no part of the claimed design. The wavy broken lines represent a symbolic break in horizontal dimension and form no part of the claimed design. The appearance of any portion of the graphical user interface between the wavy broken lines forms no part of the claimed design.

(56) **References Cited**

U.S. PATENT DOCUMENTS

D550,233 S *	9/2007	Vigesaa	D14/487
D570,858 S *	6/2008	Loehr	D14/485
D574,387 S *	8/2008	Jasinski	D14/485
D574,839 S *	8/2008	Jasinski	D14/485
D586,357 S *	2/2009	Jasinski	D14/486
D592,220 S *	5/2009	Jasinski	D14/486
D594,012 S *	6/2009	Ng	D14/486
D615,091 S *	5/2010	Jasinski	D14/485
D655,710 S *	3/2012	Inada	D14/485
D667,018 S *	9/2012	Clanton	D14/485

1 Claim, 4 Drawing Sheets
(4 of 4 Drawing Sheet(s) Filed in Color)



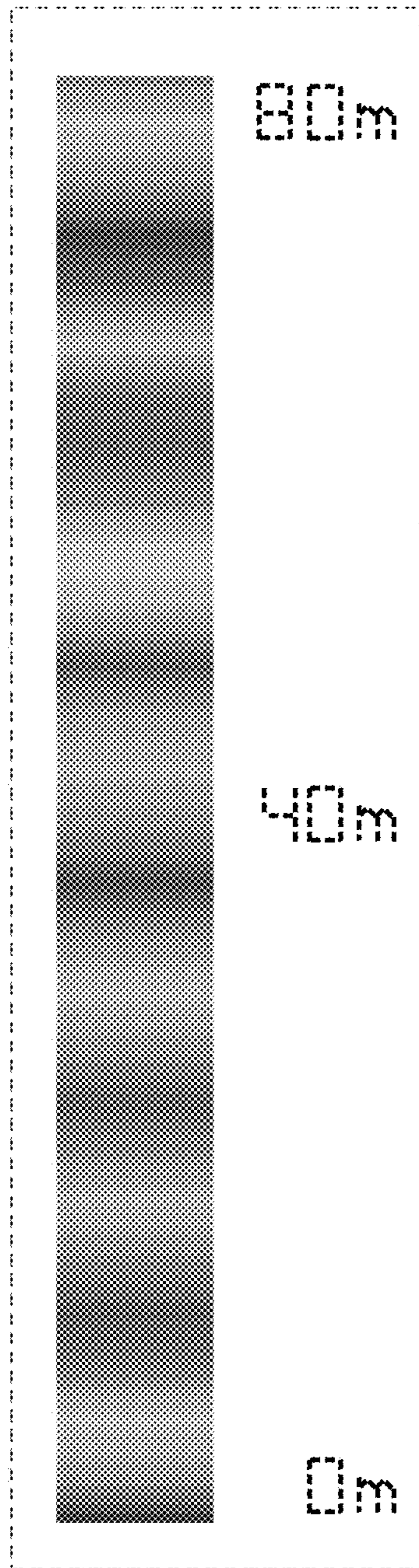


FIG. 1

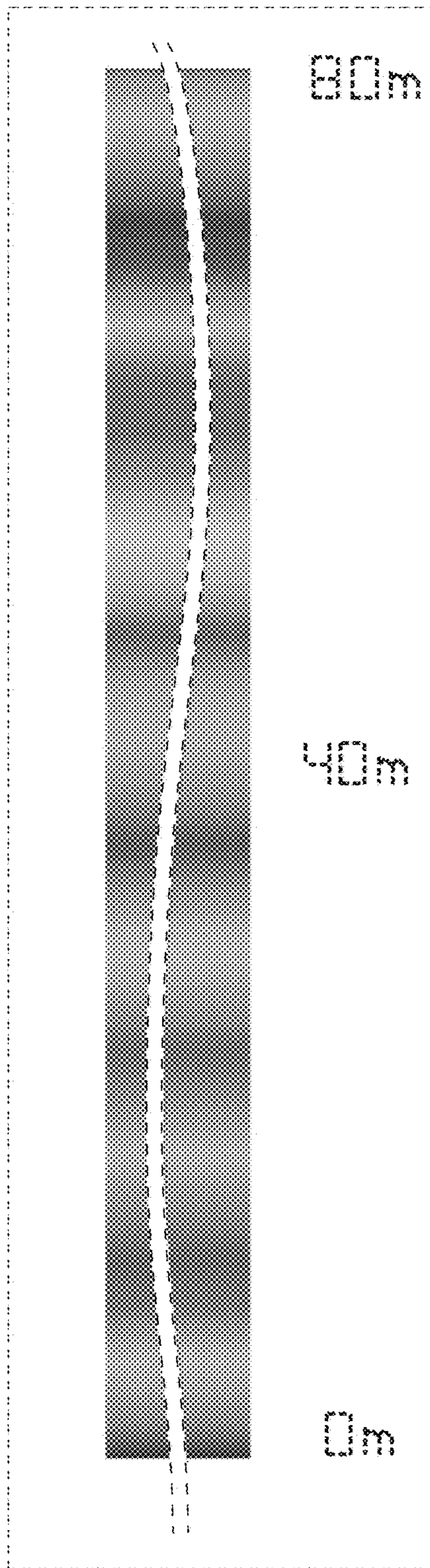


FIG. 2

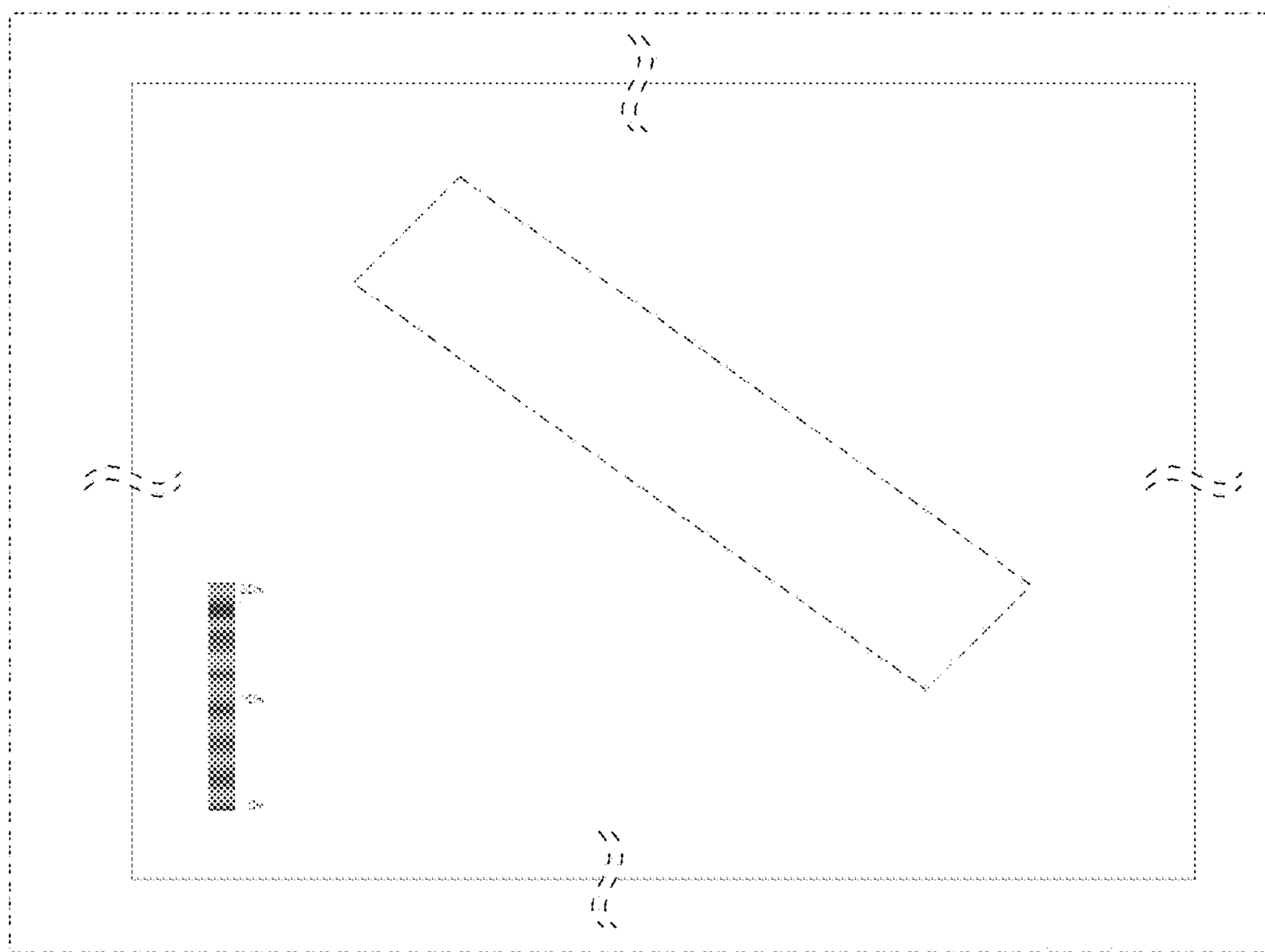


FIG. 3

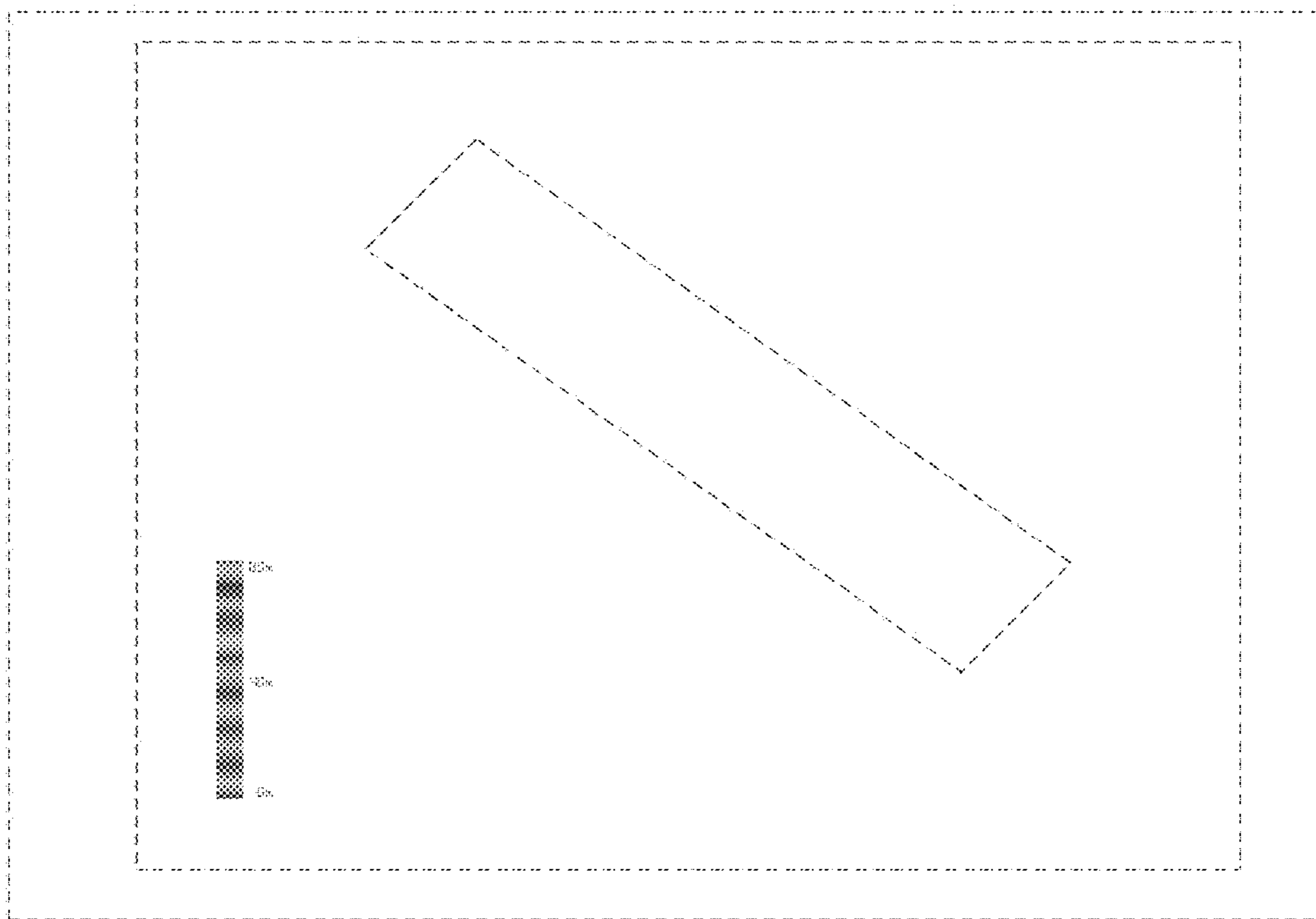


FIG. 4