



US00D786264S

(12) **United States Design Patent**
Lin et al.

(10) **Patent No.:** **US D786,264 S**

(45) **Date of Patent:** **** May 9, 2017**

(54) **DATA ACCESSING DEVICE**

(71) Applicant: **Kingston Digital, Inc.**, Fountain Valley, CA (US)

(72) Inventors: **Yi-Ting Lin**, Hsinchu (TW); **Yu-kuo Huang**, Hsinchu (TW); **Peter Leekuo Chou**, Fountain Valley, CA (US)

(73) Assignee: **Kingston Digital, Inc.**, Fountain Valley, CA (US)

(**) Term: **15 Years**

(21) Appl. No.: **29/559,924**

(22) Filed: **Mar. 31, 2016**

(51) **LOC (10) Cl.** **14-03**

(52) **U.S. Cl.**
USPC **D14/480.1**

(58) **Field of Classification Search**
USPC D14/480.1–480.7, 435.1, 411, 433, 436, D14/484.1, 137, 155, 203.1–203.8, 240, D14/242; D13/133, 154
CPC H05K 5/0278; G06K 19/07732
See application file for complete search history.

(56) **References Cited**

U.S. PATENT DOCUMENTS

D511,519 S * 11/2005 Bone D14/480.1
D537,818 S * 3/2007 Burton D14/480.1
D537,820 S * 3/2007 Hsu D14/480.1
D556,752 S * 12/2007 Otsuka D14/480.5
D623,192 S * 9/2010 Peng D14/480.6

D640,263 S * 6/2011 Huang D14/480.3
D711,891 S * 8/2014 Emami D14/480.5
D724,601 S * 3/2015 Hsieh D14/480.3
D745,874 S * 12/2015 Huang D14/480.1
2006/0038023 A1 * 2/2006 Brewer G06K 19/005
235/492
2006/0136623 A1 * 6/2006 Elazar H05K 5/0278
710/62
2008/0064265 A1 * 3/2008 Sterling B29C 45/16
439/660
2009/0042433 A1 * 2/2009 Bushby H01R 13/4538
439/352

* cited by examiner

Primary Examiner — Angela J Lee

(74) *Attorney, Agent, or Firm* — Skaar Ulbrich Macari, P.A.

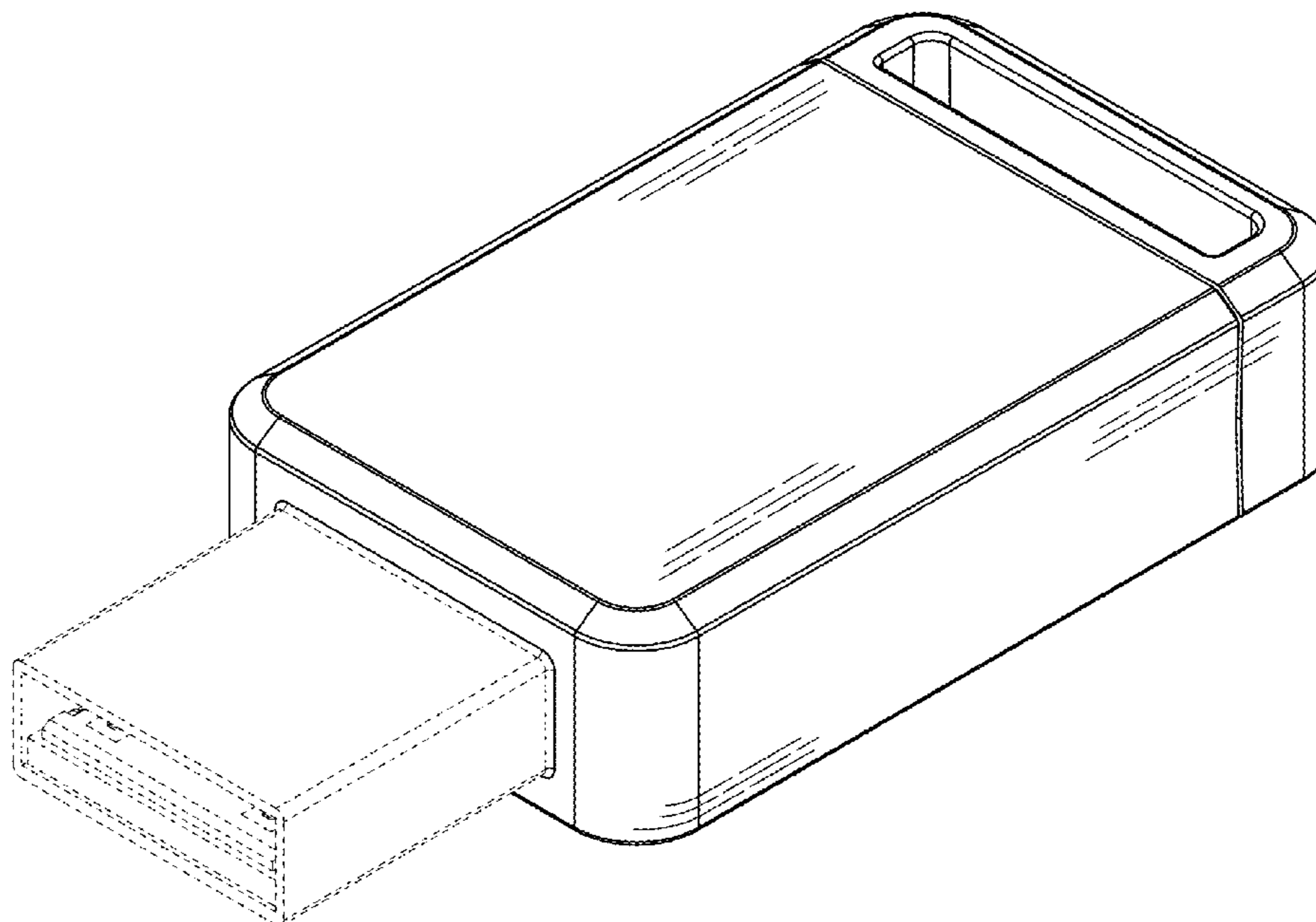
(57) **CLAIM**

The ornamental design for a data accessing device, as shown and described.

DESCRIPTION

FIG. 1 is a perspective view of a data accessing device showing the claimed design;
FIG. 2 is another perspective view of FIG. 1;
FIG. 3 is a front elevational view of FIG. 1;
FIG. 4 is a rear elevational view of FIG. 1;
FIG. 5 is a left side elevational view of FIG. 1;
FIG. 6 is a right side elevational view of FIG. 1;
FIG. 7 is a top plan view of FIG. 1; and,
FIG. 8 is a bottom plan view of FIG. 1.
The broken lines in the drawings represent unclaimed subject matter and form no part of the claim.

1 Claim, 5 Drawing Sheets



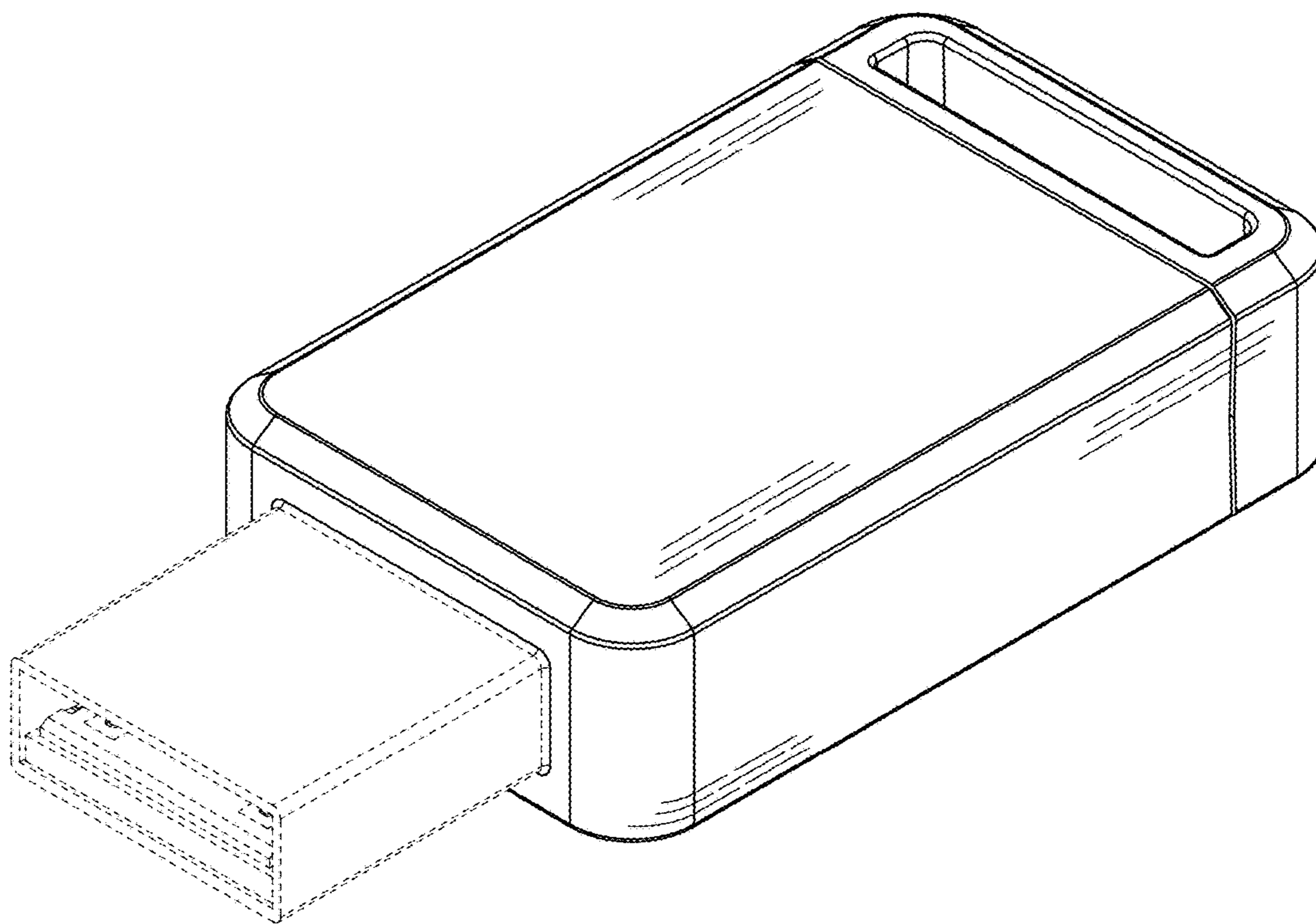


FIG.1

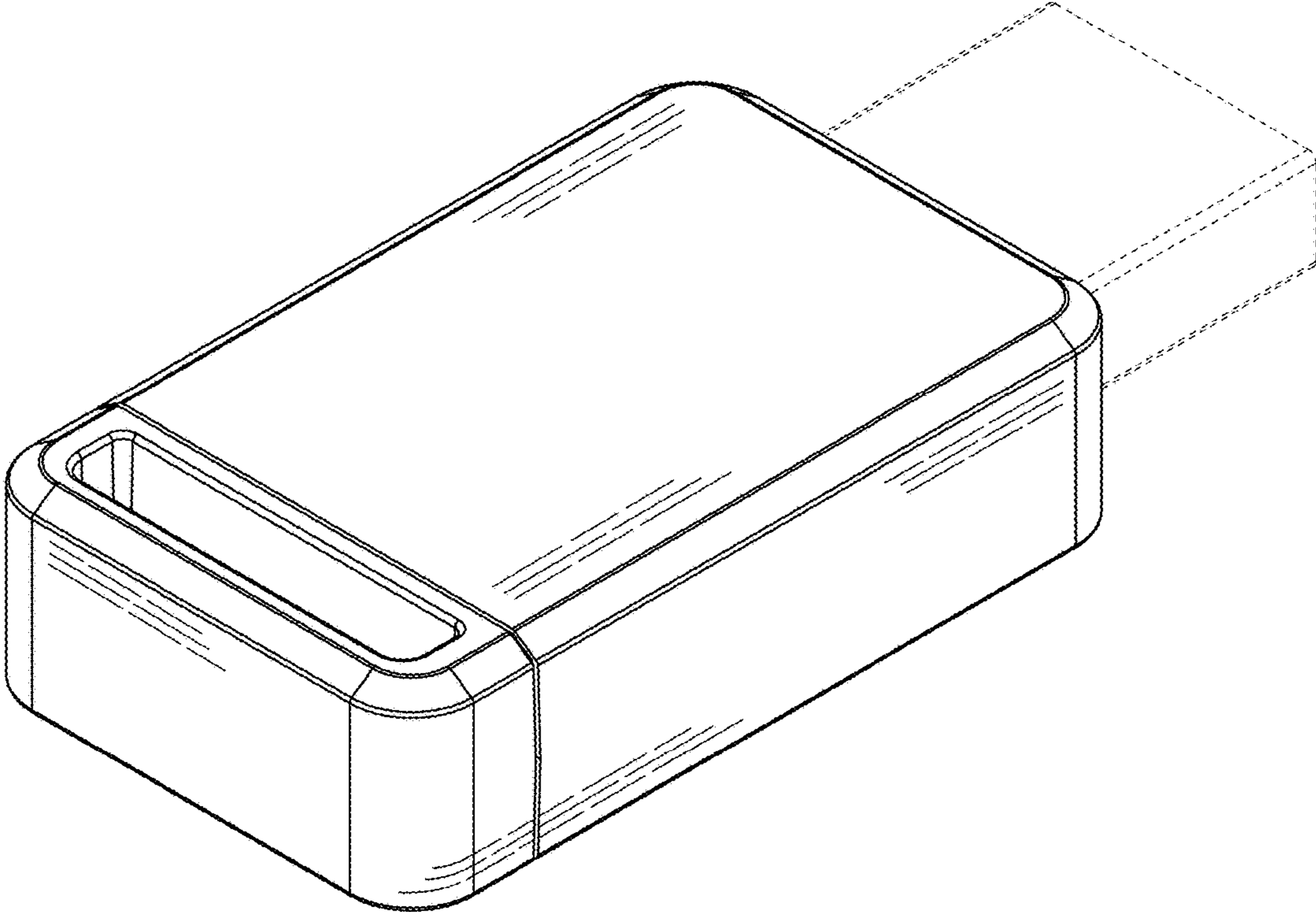


FIG.2

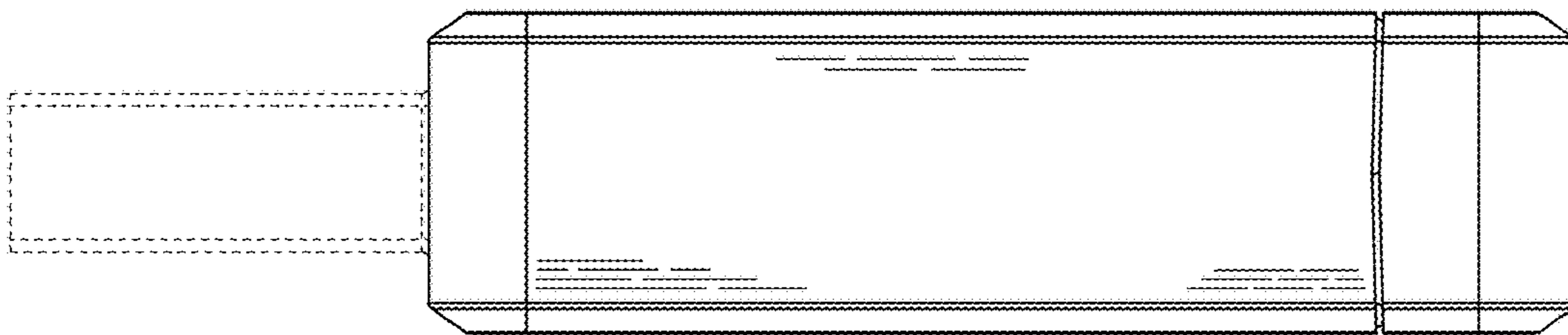


FIG.3

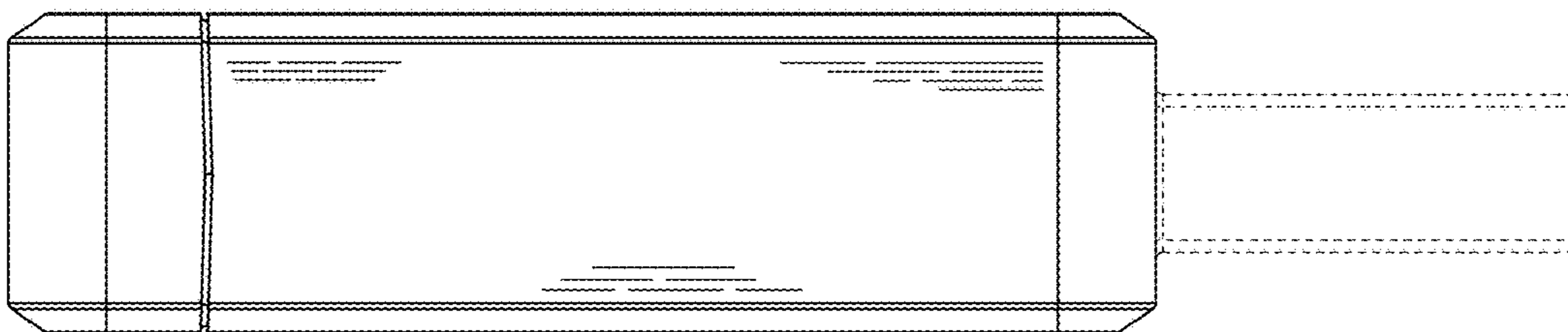


FIG.4

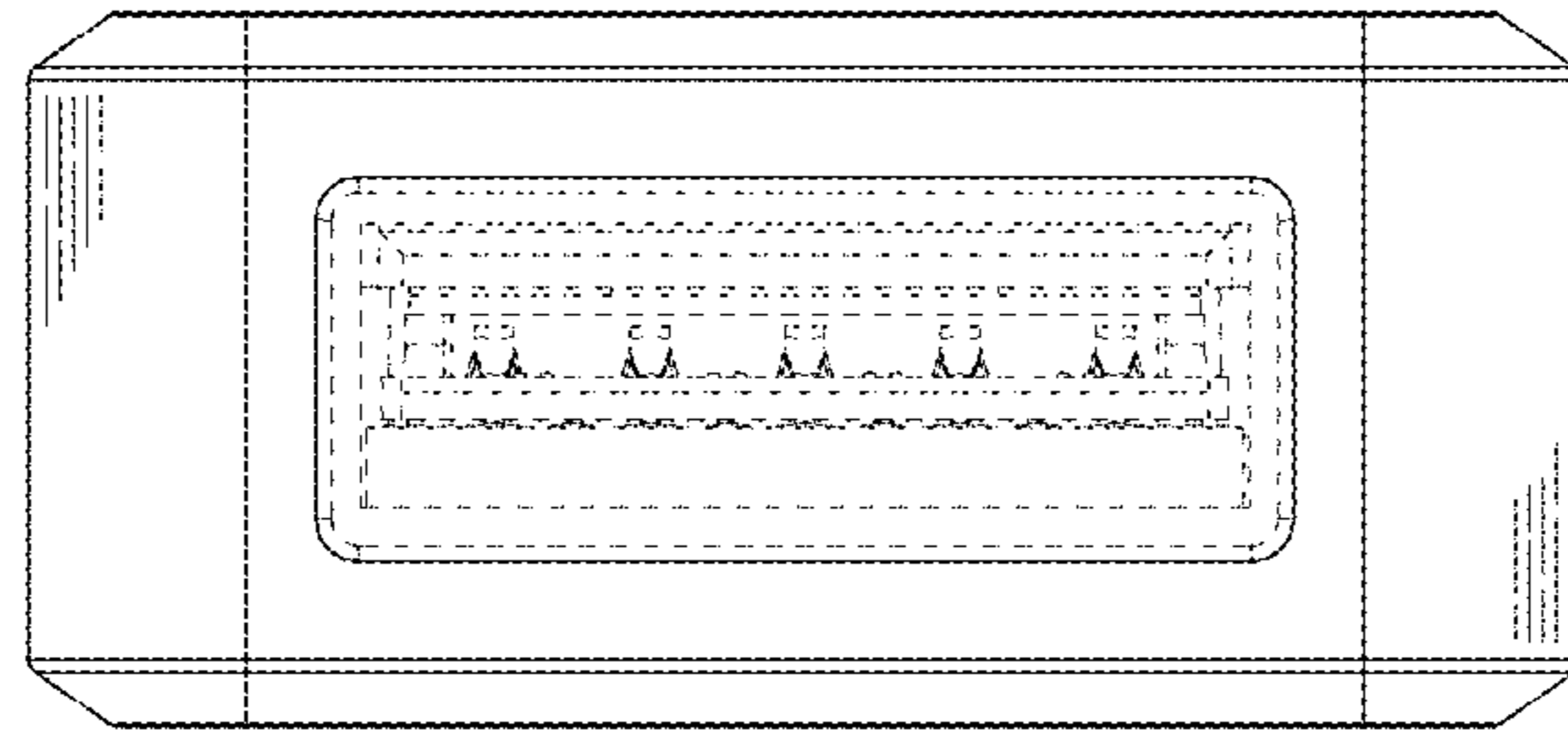


FIG. 5

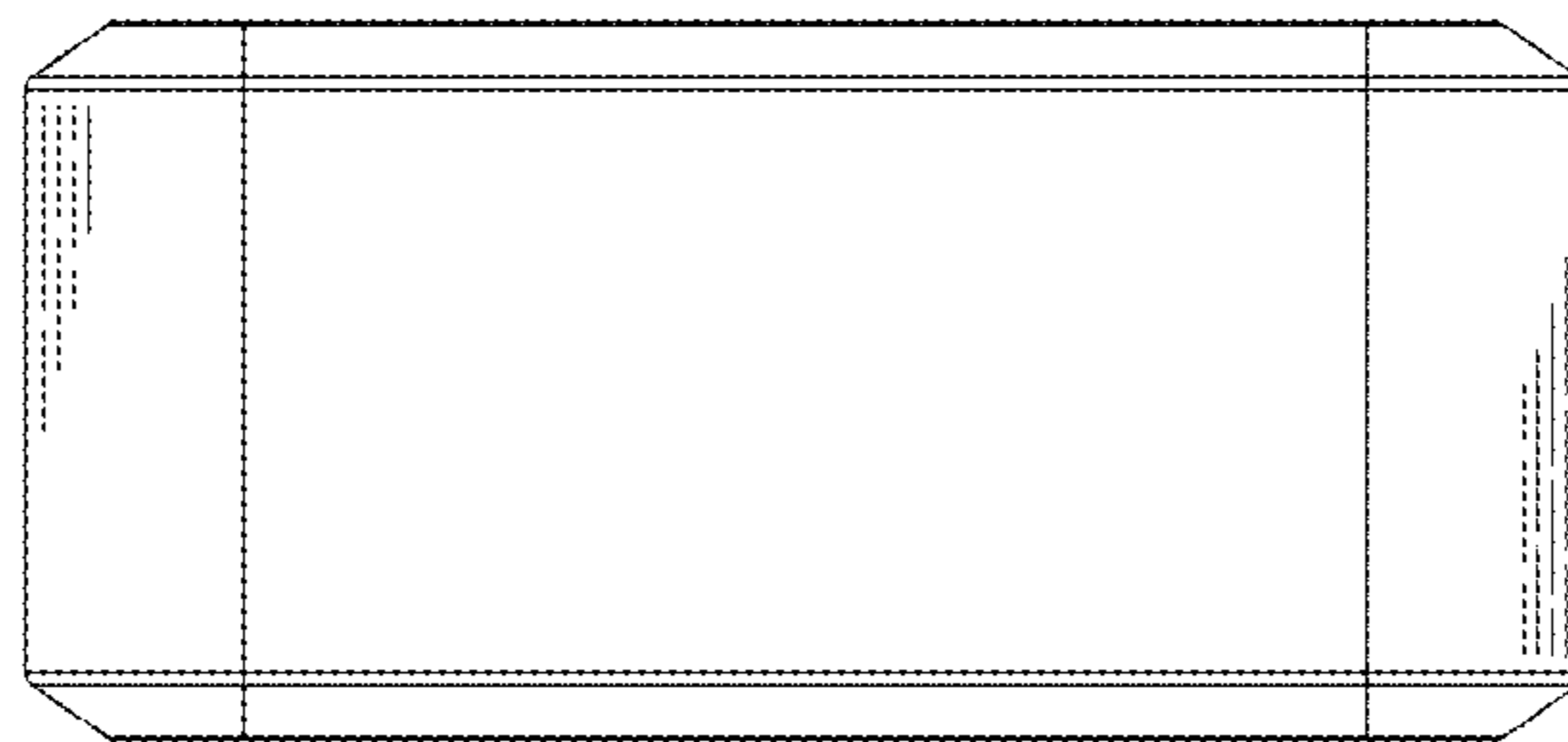


FIG. 6

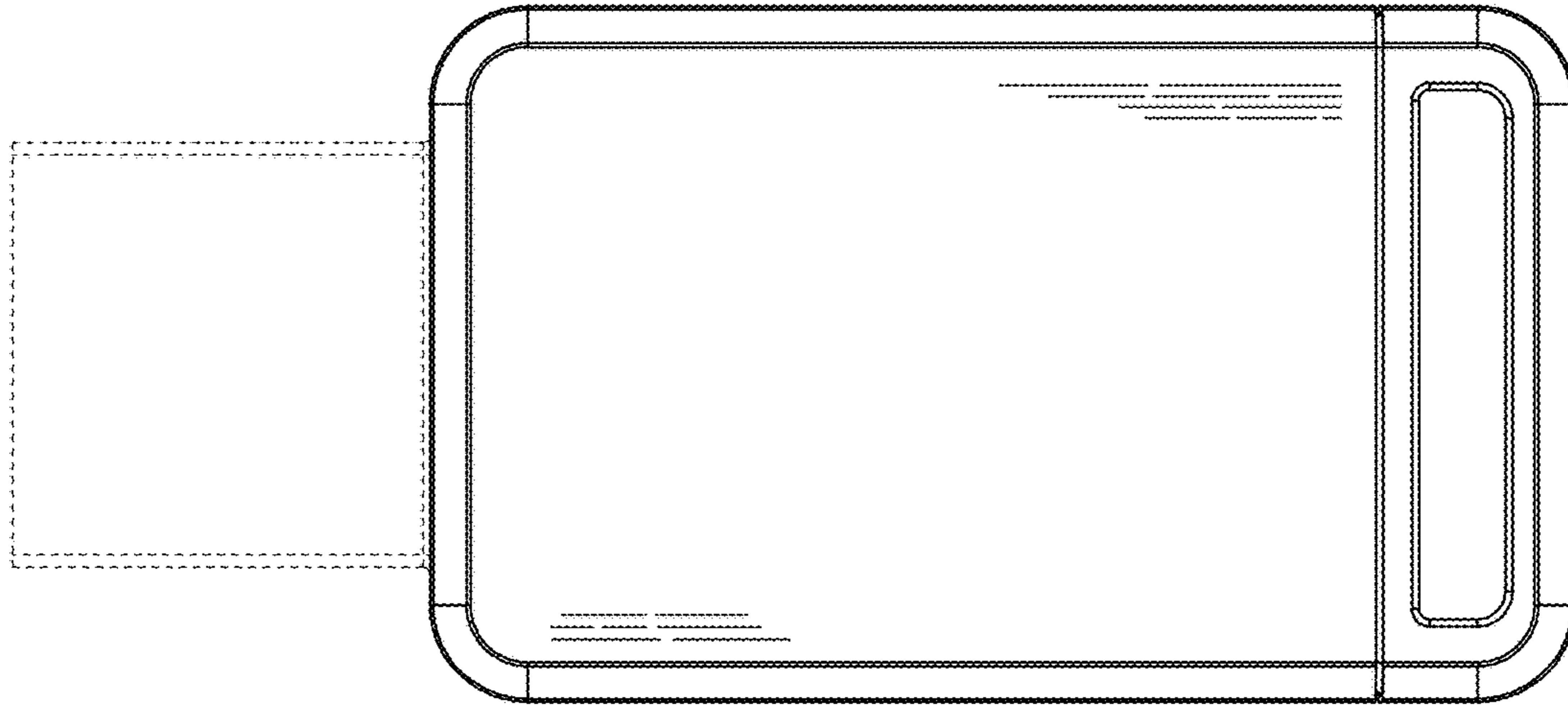


FIG. 7

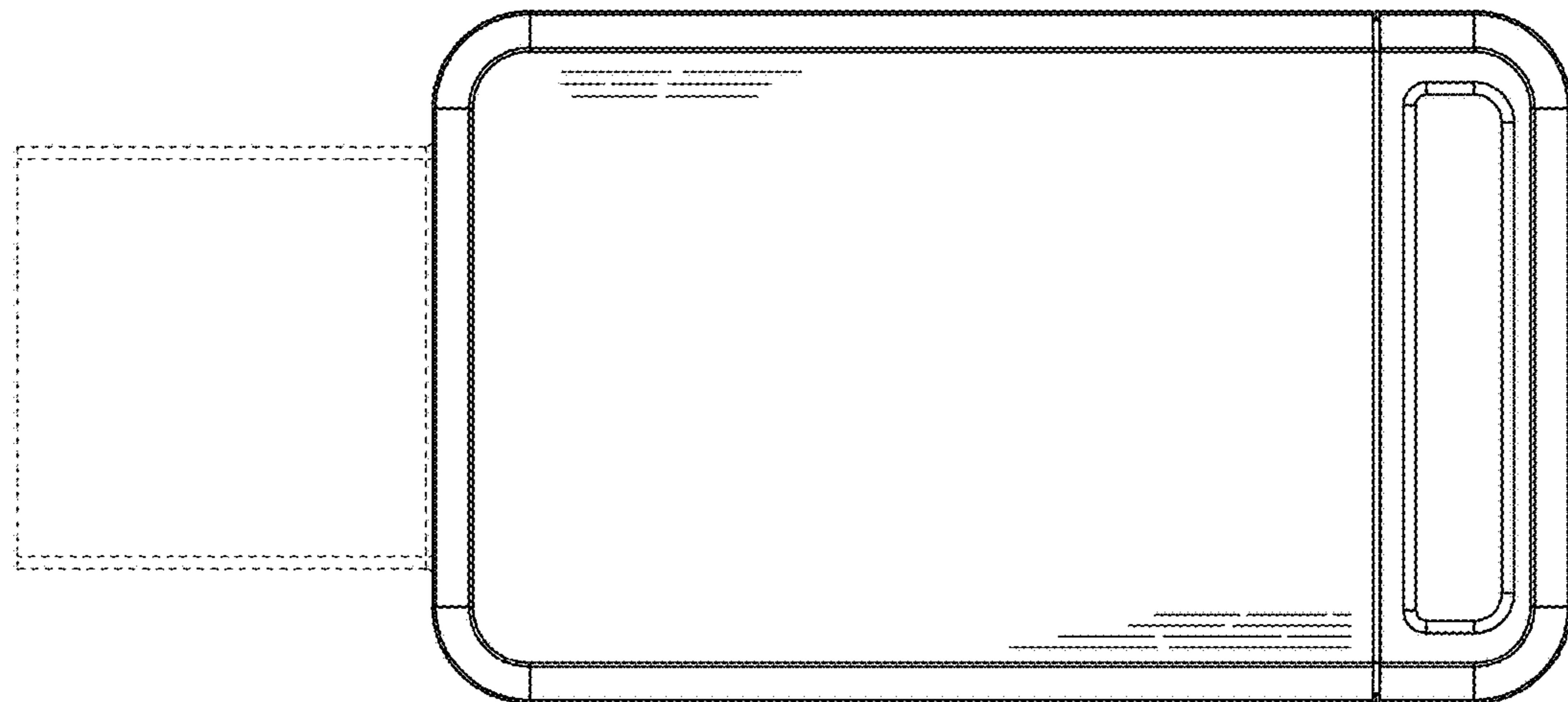


FIG. 8