



US00D786262S

(12) **United States Design Patent** (10) **Patent No.:** **US D786,262 S**  
**Kim et al.** (45) **Date of Patent:** **\*\* May 9, 2017**

(54) **AUDIO DEVICE**

(71) Applicant: **Samsung Electronics Co., Ltd.**,  
Suwon-si, Gyeonggi-do (KR)

(72) Inventors: **Ji-Gwang Kim**, Seoul (KR); **Yuli Sung**, Seoul (KR); **Joon Soo Kim**, Seoul (KR)

(73) Assignee: **SAMSUNG ELECTRONICS CO., LTD.**, Gyeonggi-Do (KR)

(\*\*) Term: **15 Years**

(21) Appl. No.: **29/548,894**

(22) Filed: **Dec. 17, 2015**

(30) **Foreign Application Priority Data**

Jun. 24, 2015 (KR) ..... 30-2015-0031797

(51) **LOC (10) Cl.** ..... **08-07**

(52) **U.S. Cl.**  
USPC ..... **D14/451**

(58) **Field of Classification Search**  
USPC ..... D14/371-382, 125-129, 335-337, D14/447-452, 492, 239, 457, 439-441, D14/432, 251-253; D8/349, 354, 363, D8/373, 376, 380; 348/180, 184, 325, 348/739, 825; D12/407, 415; D3/218; 341/12

CPC ..... G06F 3/0412; G06F 3/016; G06F 3/0488; G06F 3/011; G06F 3/038; G06F 3/03543; G06F 3/0338; G06F 3/0202; G06F 3/0219; G06F 3/0213; G06F 1/1616; G06F 3/023; G06F 3/04883; G02F 1/13338; G02F 1/1313; G02F 1/1333; G02F 1/135; G02F 1/132; G02F 1/133308; G02F 1/134309; G02F 1/13718; G09G 3/3648; G06K 15/1252; B41J 2/465; G03F 7/70291; G02B

(Continued)

(56) **References Cited**

U.S. PATENT DOCUMENTS

D439,224 S \* 3/2001 Kita ..... D14/126  
D634,323 S \* 3/2011 Park ..... D14/374

(Continued)

FOREIGN PATENT DOCUMENTS

CN 301514635 S 4/2011  
DE 085518 1/2015

*Primary Examiner* — Garth Rademaker

*Assistant Examiner* — Katie Stofko Mroczka

(74) *Attorney, Agent, or Firm* — Cantor Colburn LLP

(57) **CLAIM**

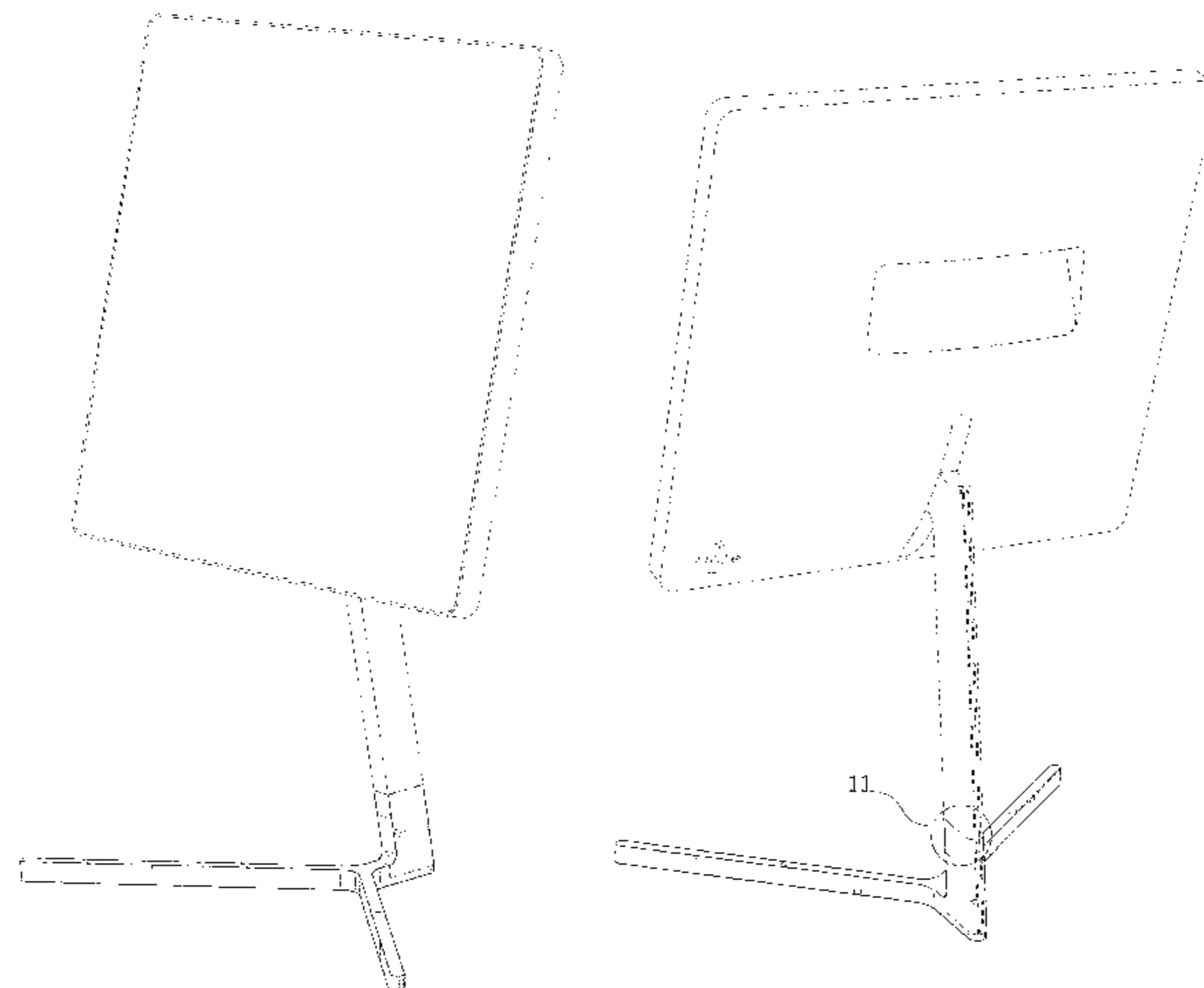
The ornamental design for an audio device, as shown and described.

**DESCRIPTION**

FIG. 1 is a front perspective view of an audio device, showing our new design;  
FIG. 2 is a front view thereof;  
FIG. 3 is a rear view thereof;  
FIG. 4 is a left side view thereof;  
FIG. 5 is a right side view thereof;  
FIG. 6 is a top view thereof;  
FIG. 7 is a bottom view thereof;  
FIG. 8 is a rear perspective view thereof;  
FIG. 9 is an enlarged view of the encircled portion 9 of FIG. 4;  
FIG. 10 is an enlarged view of the encircled portion 10 of FIG. 6; and,  
FIG. 11 is an enlarged view of the encircled portion 11 of FIG. 8.

The evenly-spaced broken lines in FIGS. 1-8, 10 and 11 illustrate portions of the audio device that form no part of the claimed design. The dash-dot lines in FIGS. 9-11 illustrate the boundaries of the figures. All other dash-dot broken lines

(Continued)



in FIGS. 1-6, 8, 10 and 11 illustrate the boundary of the claimed design that forms no part thereof.

**1 Claim, 11 Drawing Sheets**

**(58) Field of Classification Search**

CPC ..... 27/0172; G02B 5/30; G02B 2027/0118;  
G02B 27/0101; F16M 13/02; F16M  
13/00; F16M 11/10; F16M 11/04; F16M  
2200/08; F16M 11/2021; A47B 21/0314;  
A47B 88/044; A47B 2021/0335; H02G  
3/126; F16B 47/00; F16B 47/006; A47G  
1/17; A47K 2201/00

See application file for complete search history.

**(56) References Cited**

U.S. PATENT DOCUMENTS

D652,045	S	*	1/2012	Hong	.....	D14/447
D694,208	S	*	11/2013	Duys	.....	D14/126
D711,333	S	*	8/2014	Kim	.....	D14/126
D725,616	S	*	3/2015	Oh	.....	D14/126
D725,661	S	*	3/2015	Snyder	.....	D14/451
D743,953	S	*	11/2015	Ann	.....	D14/239
D745,864	S	*	12/2015	Jung	.....	D14/239
D758,373	S	*	6/2016	Kim	.....	D14/451
D758,983	S	*	6/2016	Kim	.....	D14/126
D760,706	S	*	7/2016	Son	.....	D14/239
D769,874	S	*	10/2016	Kung	.....	D14/374

\* cited by examiner

FIG. 1

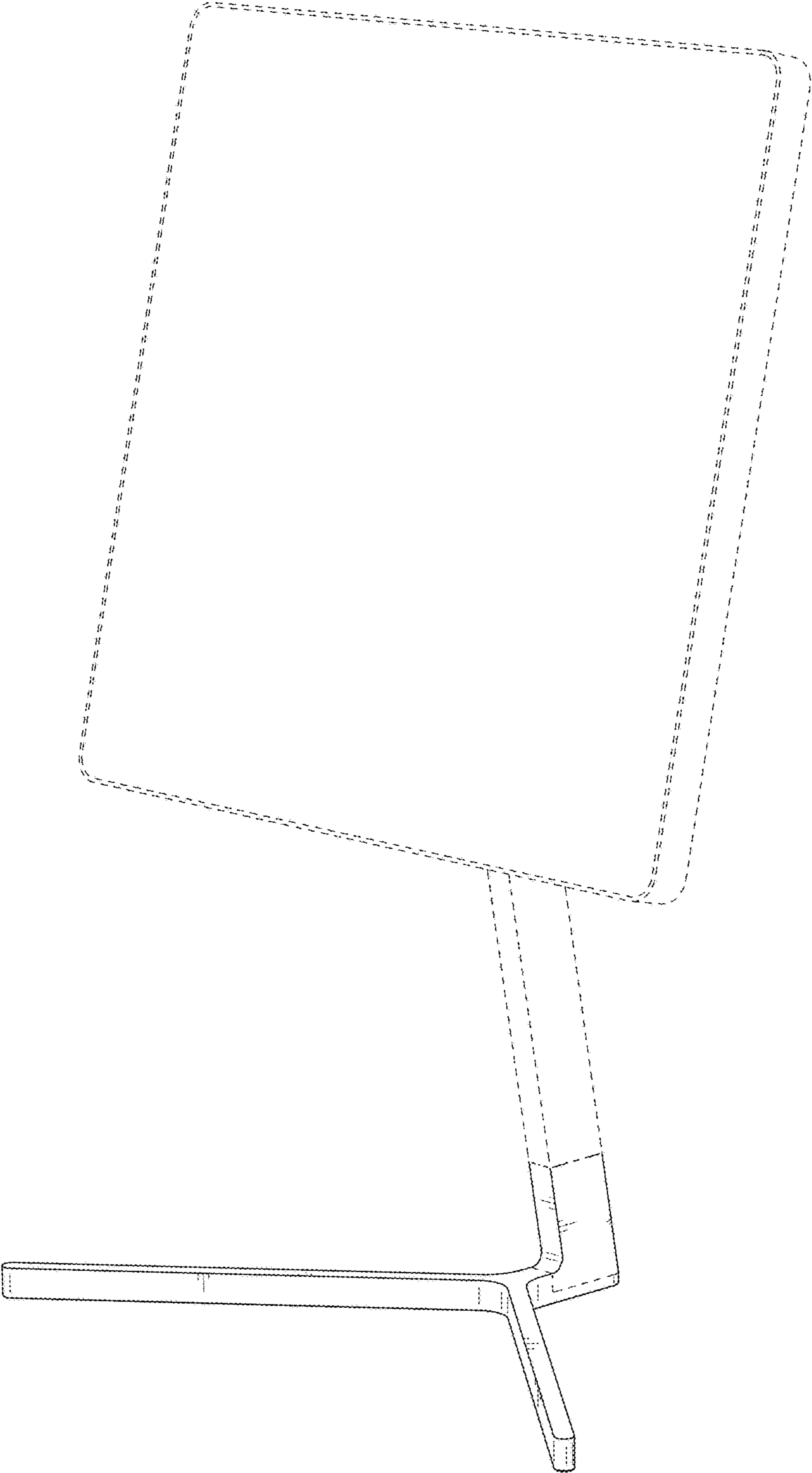


FIG. 2

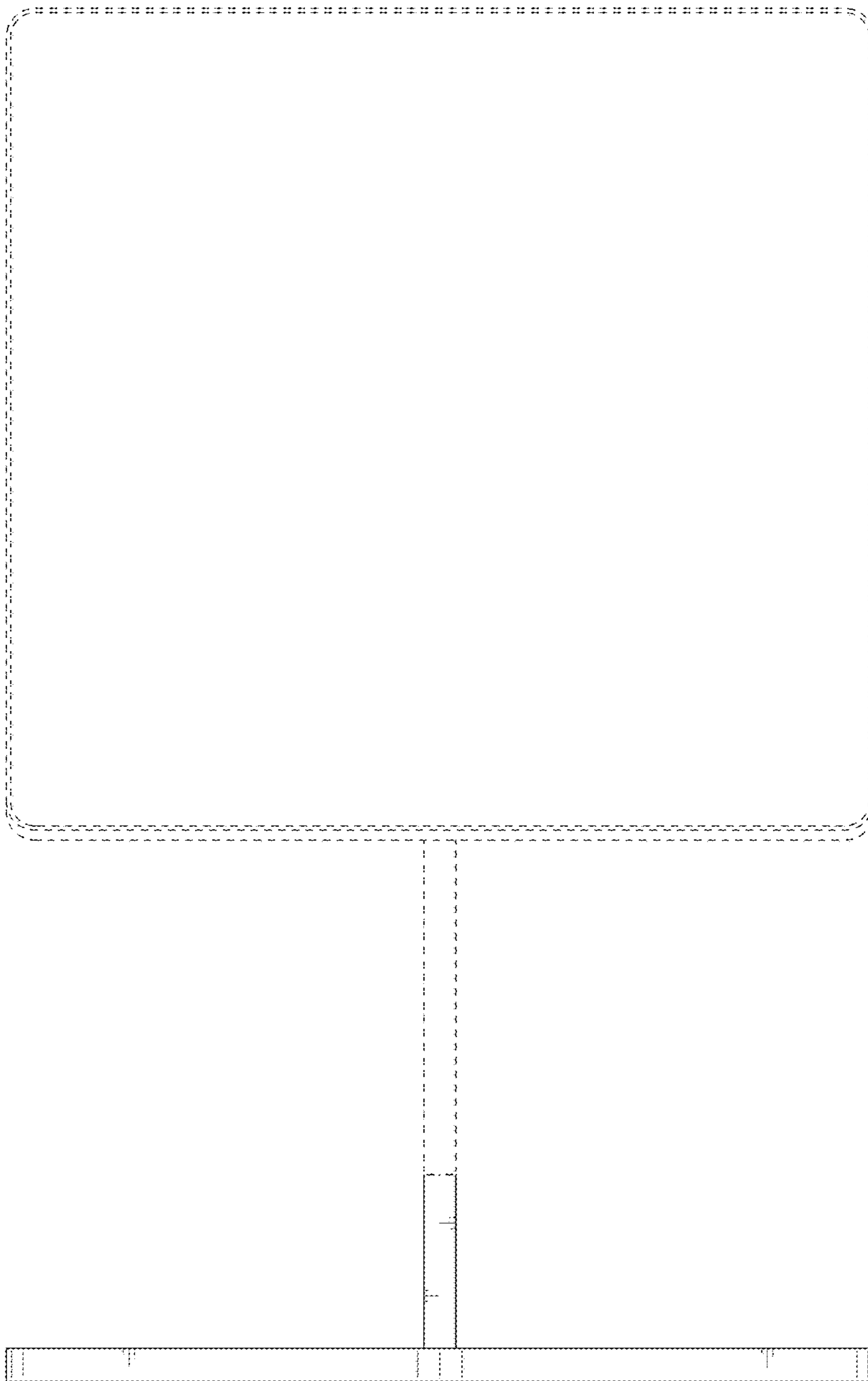


FIG. 3

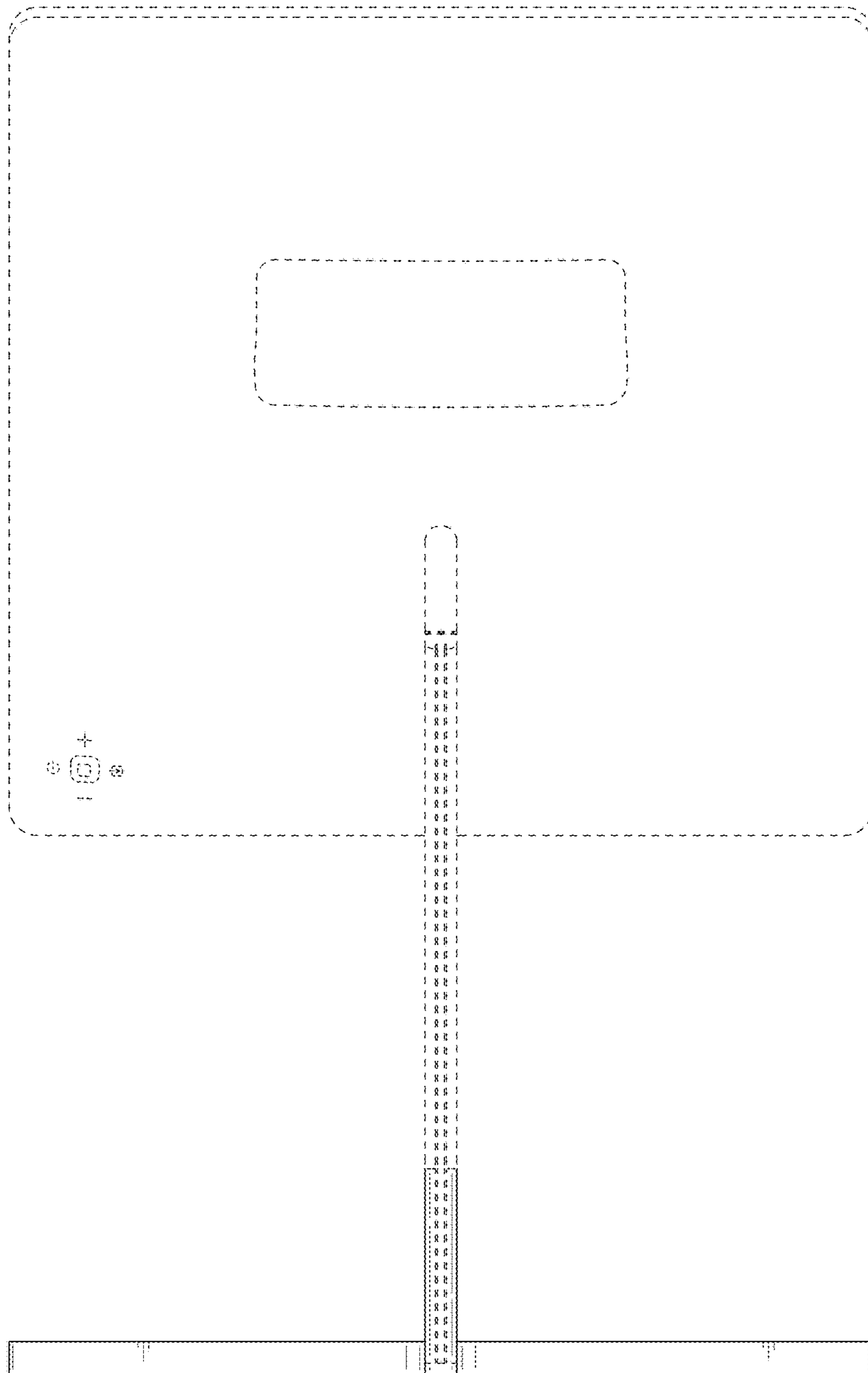


FIG. 4

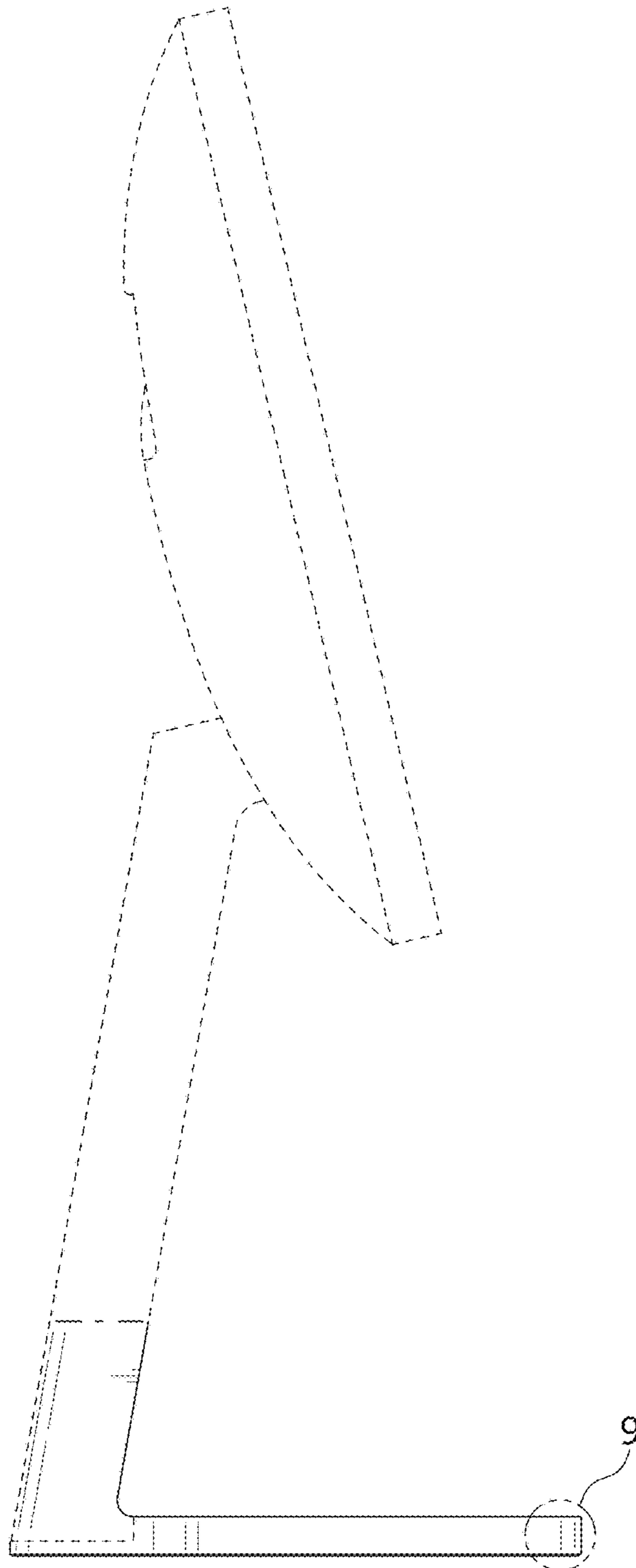


FIG. 5

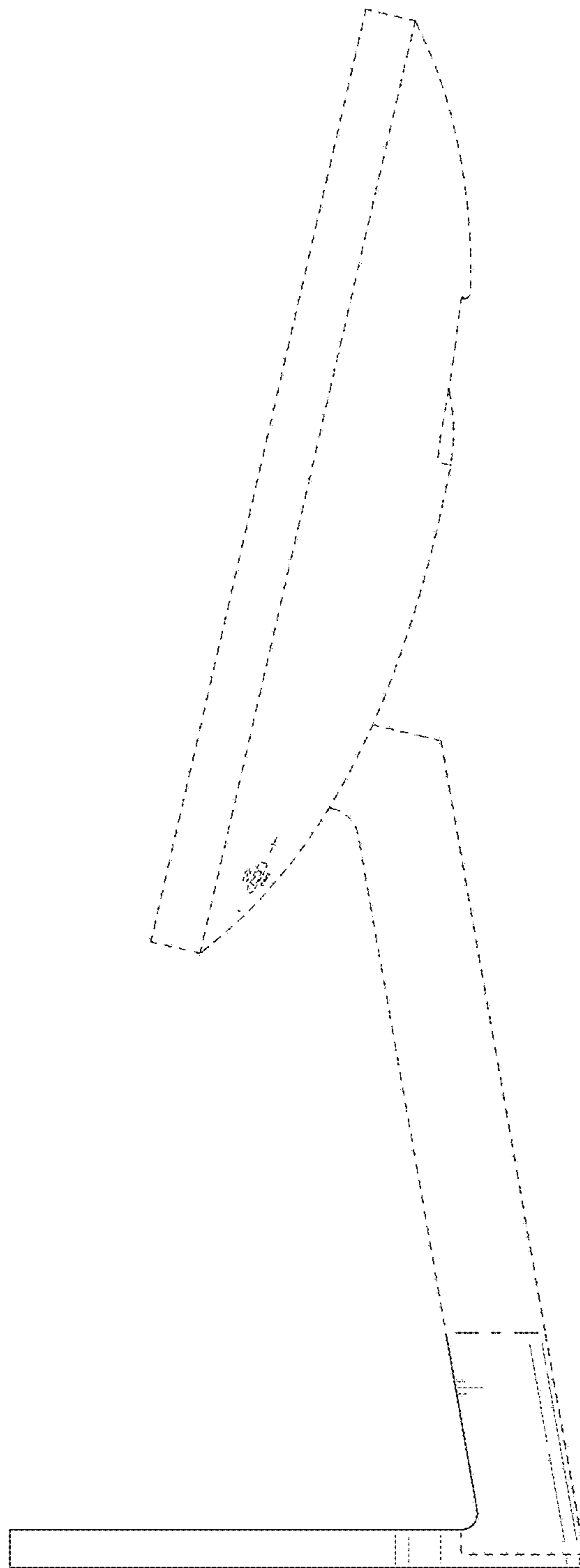


FIG. 6

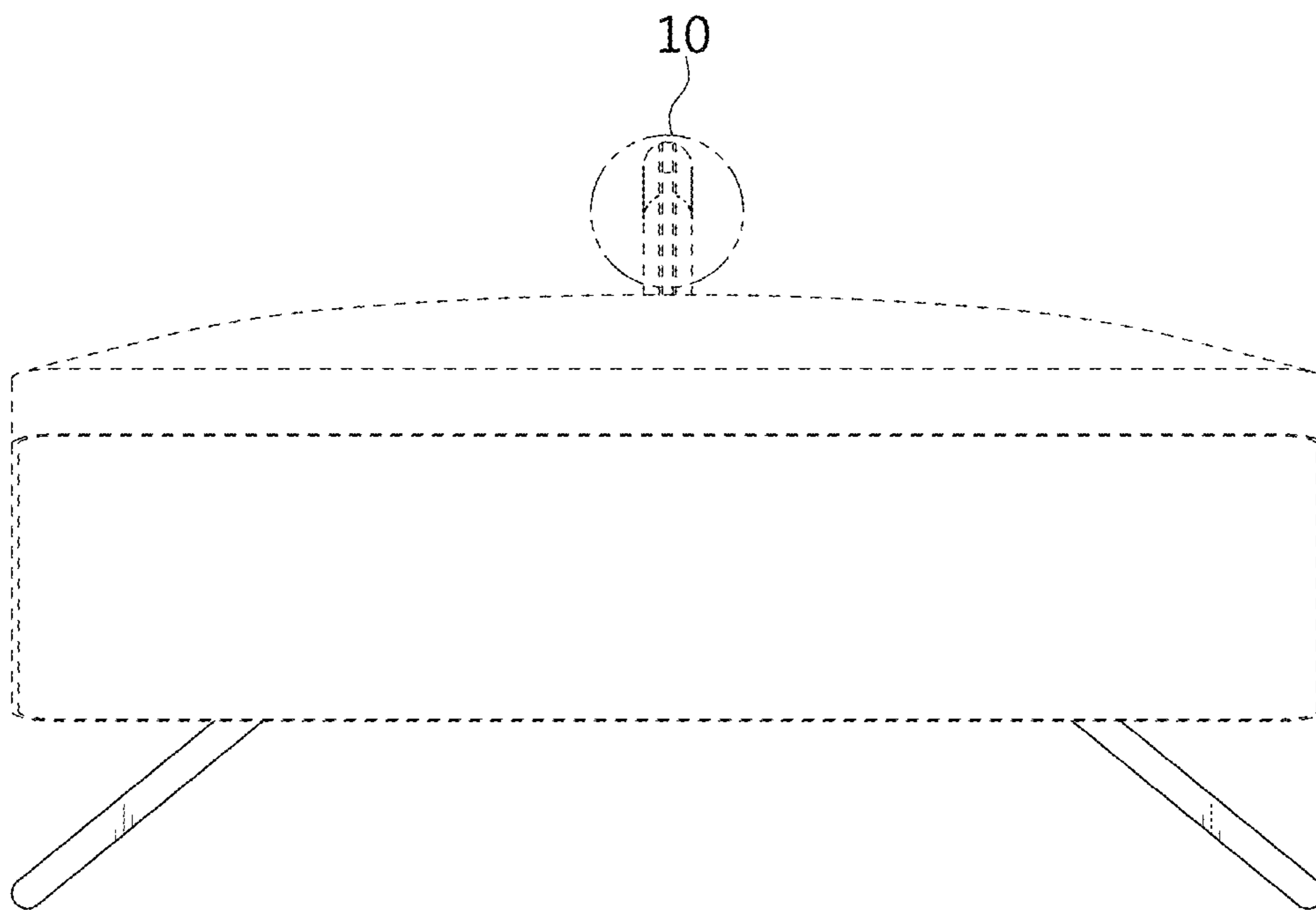




FIG. 7

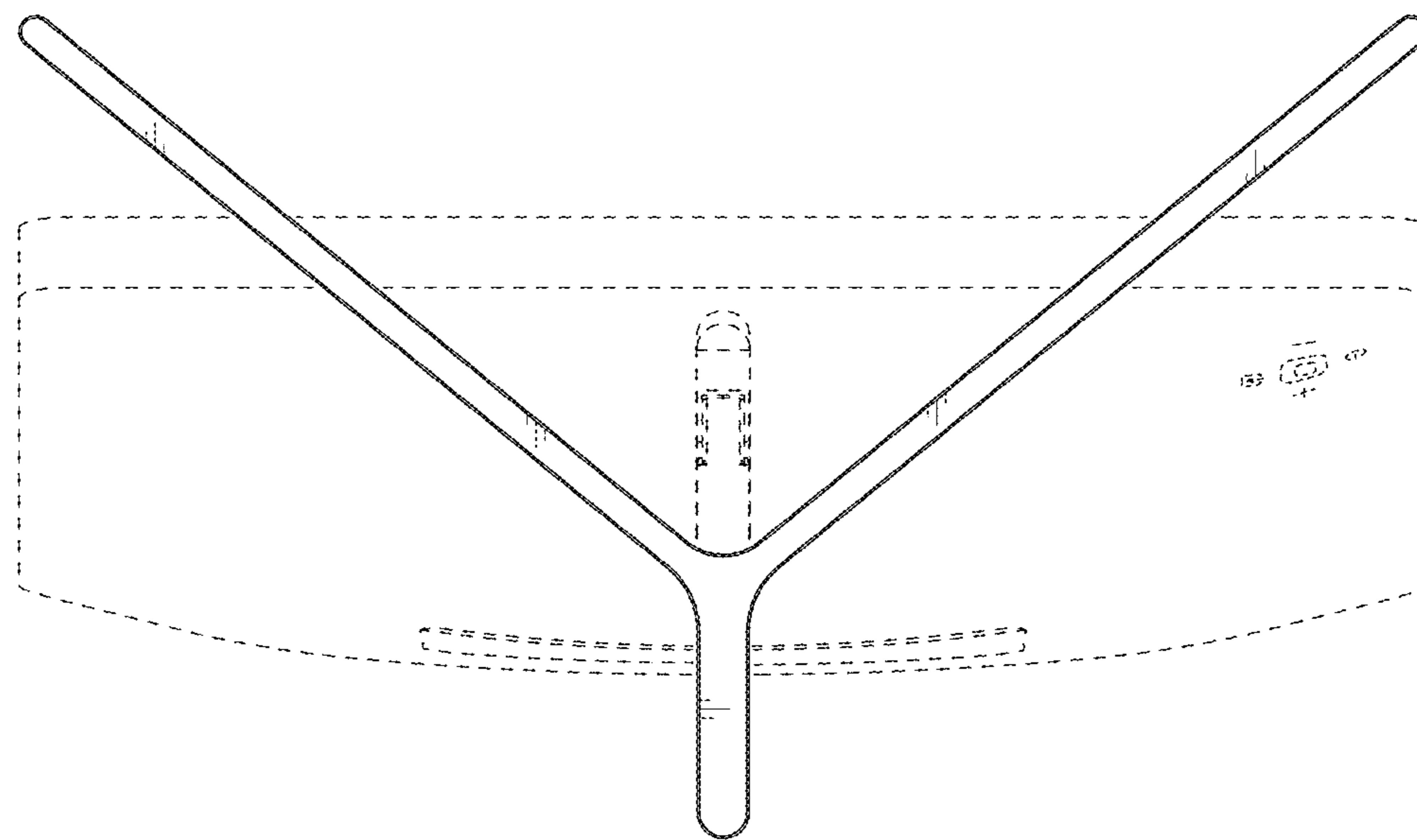


FIG. 8

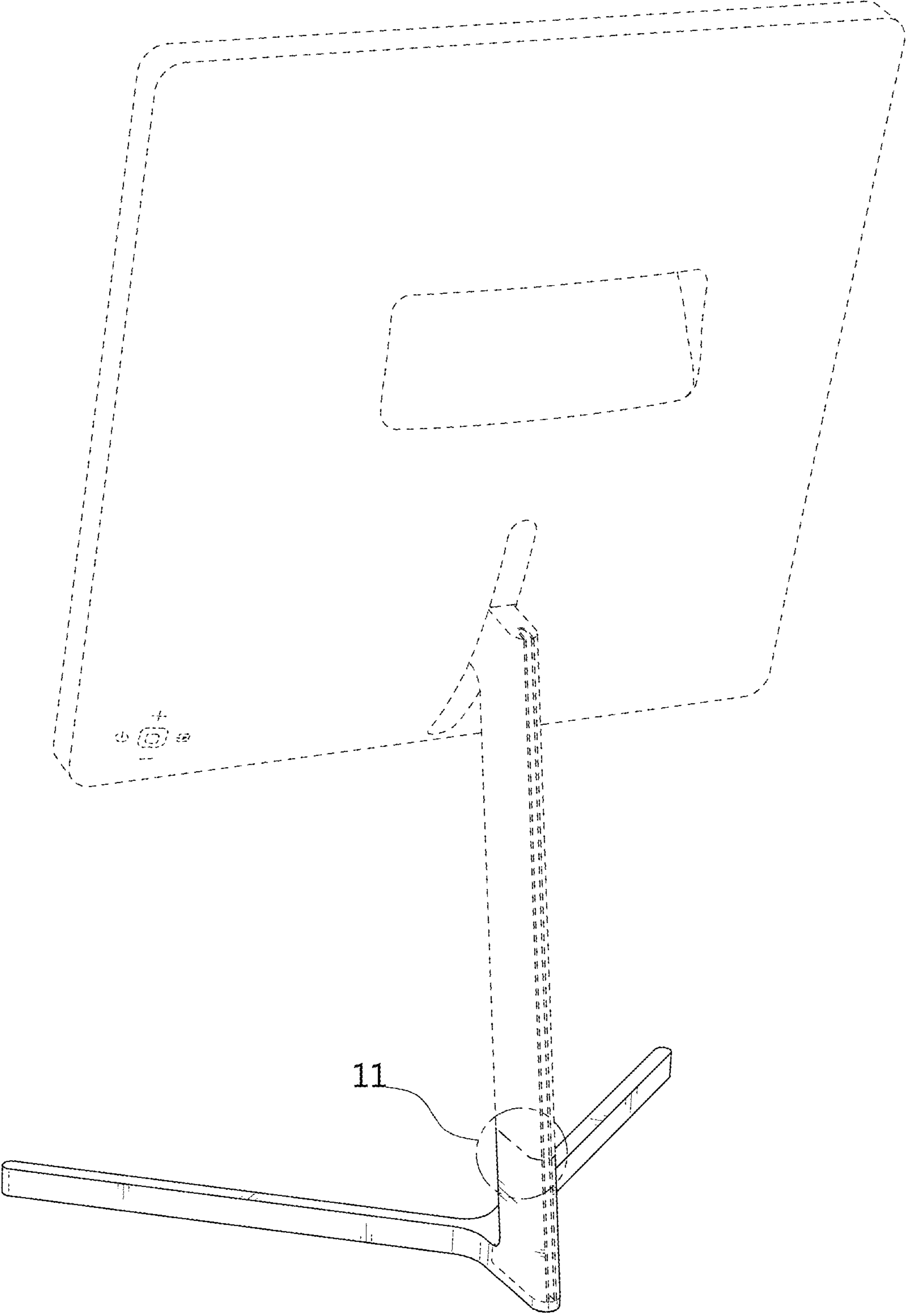


FIG. 9

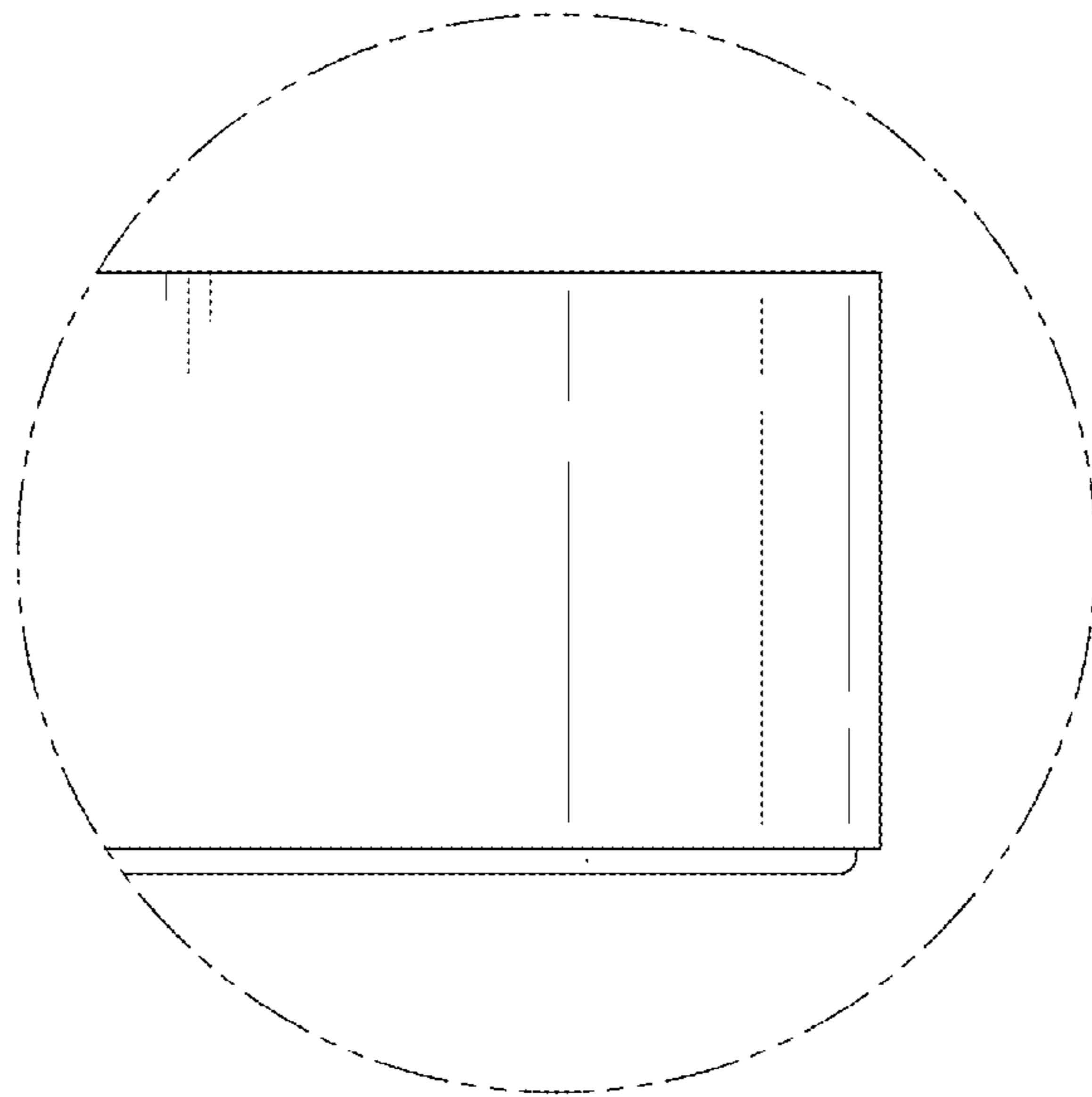


FIG. 10

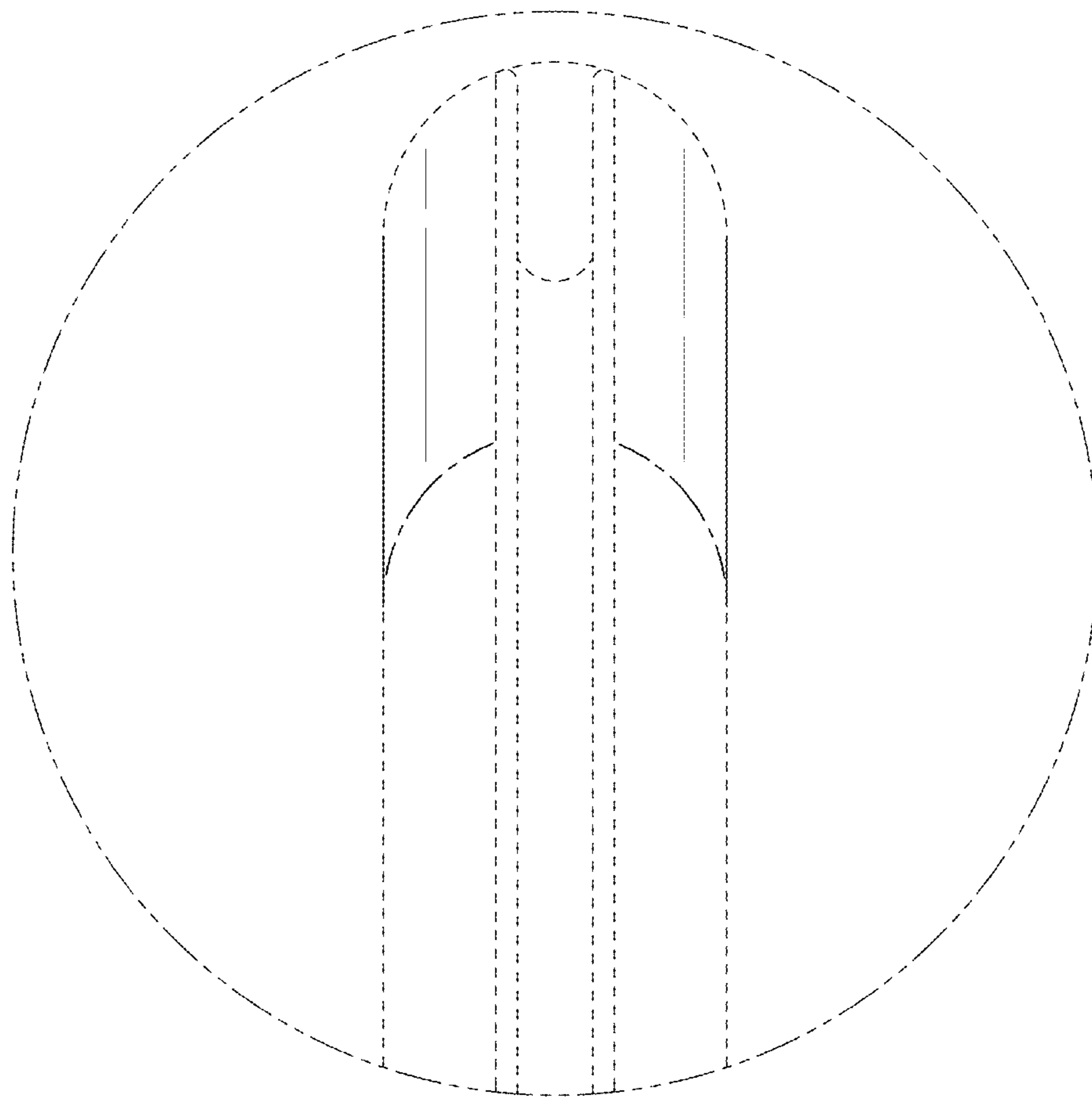


FIG. 11

