



US00D786261S

(12) **United States Design Patent** (10) **Patent No.:** **US D786,261 S**  
**Harris** (45) **Date of Patent:** **\*\* May 9, 2017**

(54) **DISPLAY ATTACHMENT FOR A DISPLAY SCREEN**

(71) Applicant: **Victor Harris**, Dubai (AE)

(72) Inventor: **Victor Harris**, Dubai (AE)

(73) Assignee: **NSV Group FZCO**, Dubai (AE)

(\*\*) Term: **15 Years**

(21) Appl. No.: **29/544,462**

(22) Filed: **Nov. 3, 2015**

(51) **LOC (10) Cl.** ..... **14-02**

(52) **U.S. Cl.**  
USPC ..... **D14/448**

(58) **Field of Classification Search**

USPC ..... D14/371-382, 125-129, 336, 337,  
D14/447-452, 492, 335, 239, 457,  
D14/439-441, 432, 251-253; D8/349,  
D8/354, 363, 373, 376, 380; D21/333;  
D12/415, 175, 345; D3/218; 348/180,  
348/184, 325, 739, 825; 248/124.1,  
248/125.8, 125.9, 176.1, 411; D6/715.1,  
D6/315, 317-319, 326; 223/85, 87, 88,  
223/94, 96  
CPC ..... G06F 3/0412; G06F 3/016; G06F 3/0488;  
G06F 3/011; G06F 3/038; G06F 3/03543;  
G06F 3/0338; G06F 3/0202; G06F  
3/0219; G06F 3/0213; G06F 1/1616;  
G06F 3/023; G06F 3/04883; G02F  
1/13338; G02F 1/1313; G02F 1/1333;  
G02F 1/135; G02F 1/132; G02F  
1/133308; G02F 1/134309; G02F  
1/13718; G09G 3/3648; G06K 15/1252;  
B41J 2/465; G03F 7/70291; G02B  
27/0172; G02B 5/30; G02B 2027/0118;  
G02B 27/0101; F16M 13/02; F16M  
13/00; F16M 11/10; F16M 11/04; F16M  
2200/08; F16M 11/2021; A47B 21/0314;  
A47B 88/044; A47B 2021/0335; H02G  
3/126;

(Continued)

(56) **References Cited**

U.S. PATENT DOCUMENTS

2,489,565 A \* 11/1949 Elston ..... A47G 25/481  
223/91  
D328,315 S \* 7/1992 Shulman ..... D14/414  
D379,888 S \* 6/1997 Cone, II ..... D6/333

(Continued)

*Primary Examiner* — Garth Rademaker

*Assistant Examiner* — Katie Stofko Mroczka

(74) *Attorney, Agent, or Firm* — Quinn IP Law

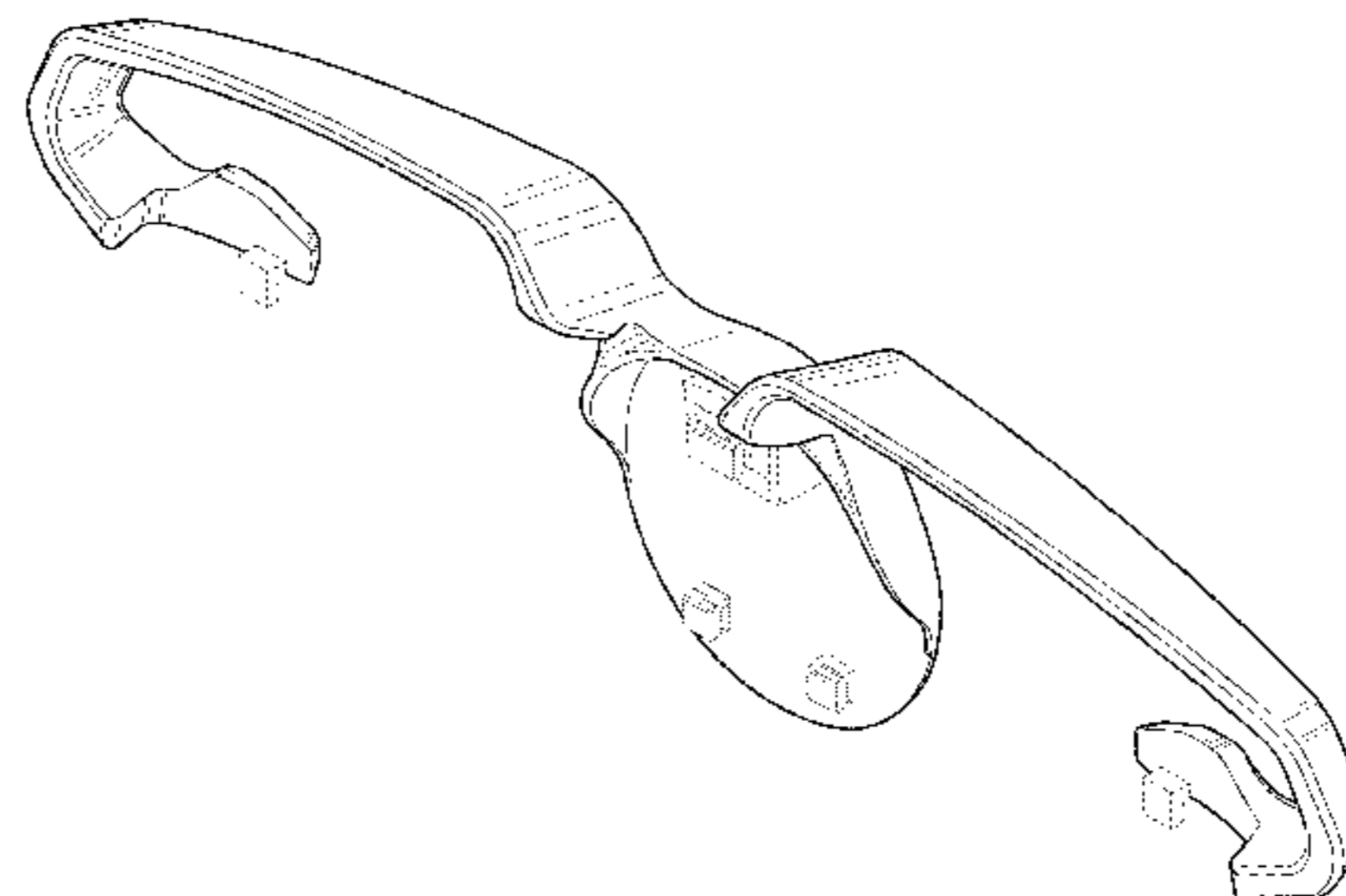
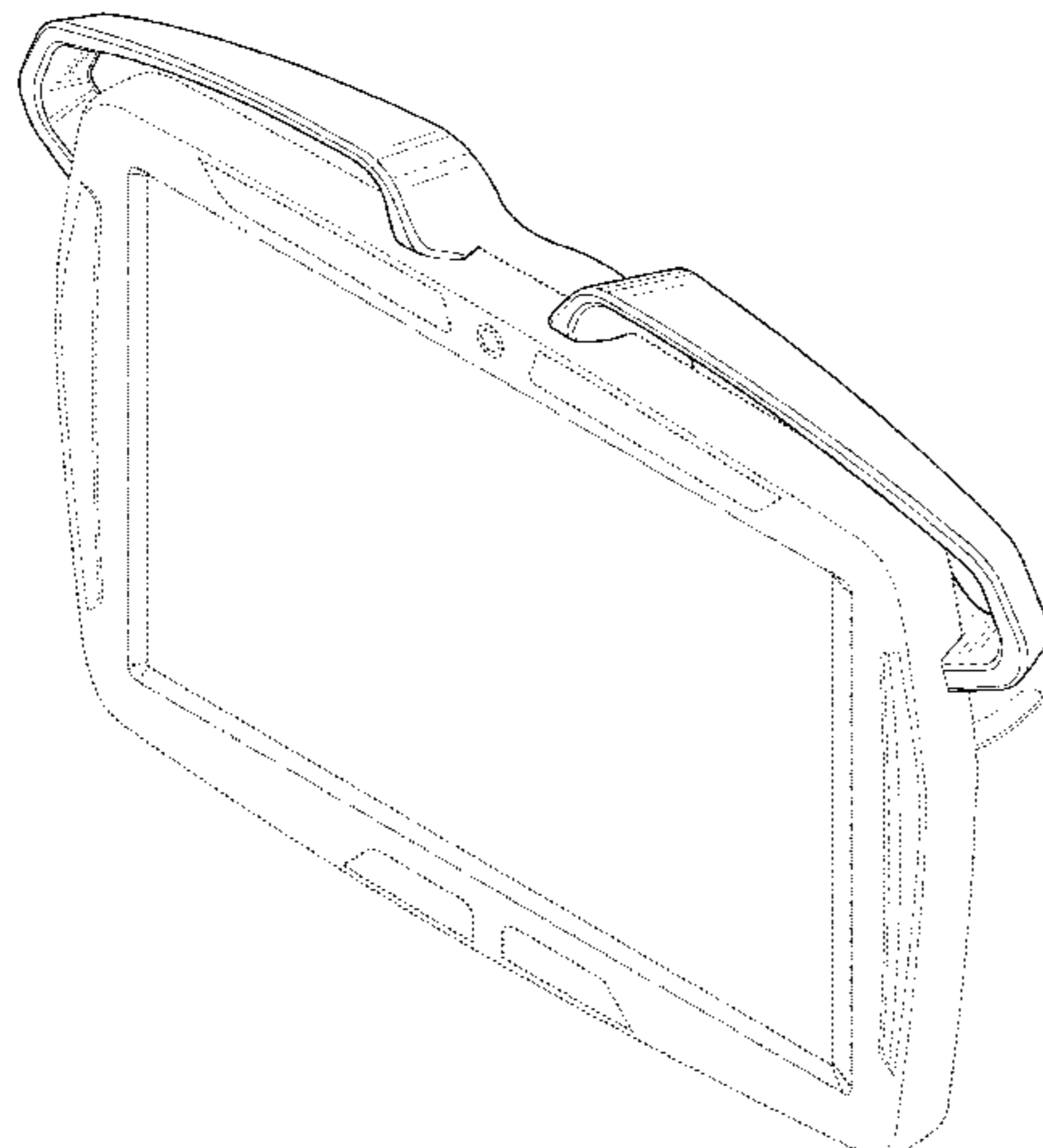
(57) **CLAIM**

I claim the ornamental design for a display attachment for a display screen, as shown and described.

**DESCRIPTION**

FIG. 1 is a front right perspective view of a display attachment for a display screen in an environment of use;  
FIG. 2 is a front view thereof;  
FIG. 3 is a rear view thereof;  
FIG. 4 is a bottom view thereof;  
FIG. 5 is a top view thereof;  
FIG. 6 is a left side view thereof;  
FIG. 7 is a right side view thereof;  
FIG. 8 is a front right perspective view of a display attachment for a display screen;  
FIG. 9 is a front view thereof;  
FIG. 10 is a rear view thereof;  
FIG. 11 is a top view thereof;  
FIG. 12 is a bottom view thereof;  
FIG. 13 is a left side view thereof; and,  
FIG. 14 is a right side view thereof.  
The broken lines illustrating the display screen in FIGS. 1-7 are environment that form no part of the claimed design. The broken lines shown in FIGS. 8-10 and 12-14 illustrate portions of the display attachment for a display screen that form no part of the claimed design.

**1 Claim, 10 Drawing Sheets**



(58) **Field of Classification Search**

CPC ..... F16B 47/00; F16B 47/006; A47G 1/17;  
A47K 2201/00

See application file for complete search history.

(56) **References Cited**

U.S. PATENT DOCUMENTS

D424,815	S	*	5/2000	Gonzaga	.....	D6/317
D433,077	S	*	10/2000	Yamazaki	.....	D21/385
D451,312	S	*	12/2001	Kain	.....	D6/333
D578,940	S	*	10/2008	Tsay	.....	D12/175
D624,865	S	*	10/2010	Figueiredo	.....	D12/345
D633,853	S	*	3/2011	Aruga	.....	D12/345
D658,719	S	*	5/2012	Ikeda	.....	D14/400
D679,228	S	*	4/2013	Balko	.....	D12/175
D737,184	S	*	8/2015	Oosuda	.....	D12/175
D765,775	S	*	9/2016	Livingston	.....	D18/56

\* cited by examiner

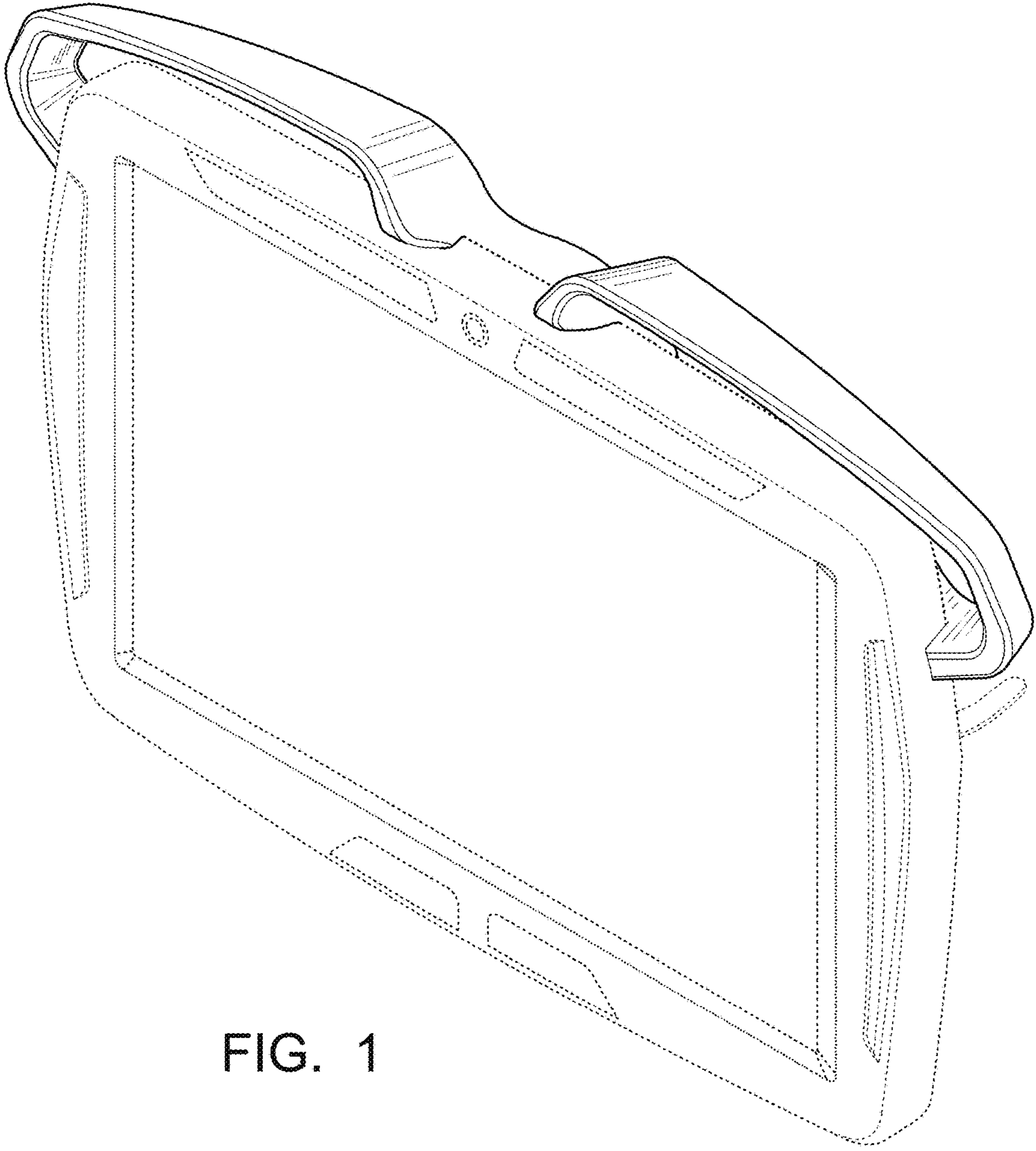


FIG. 1

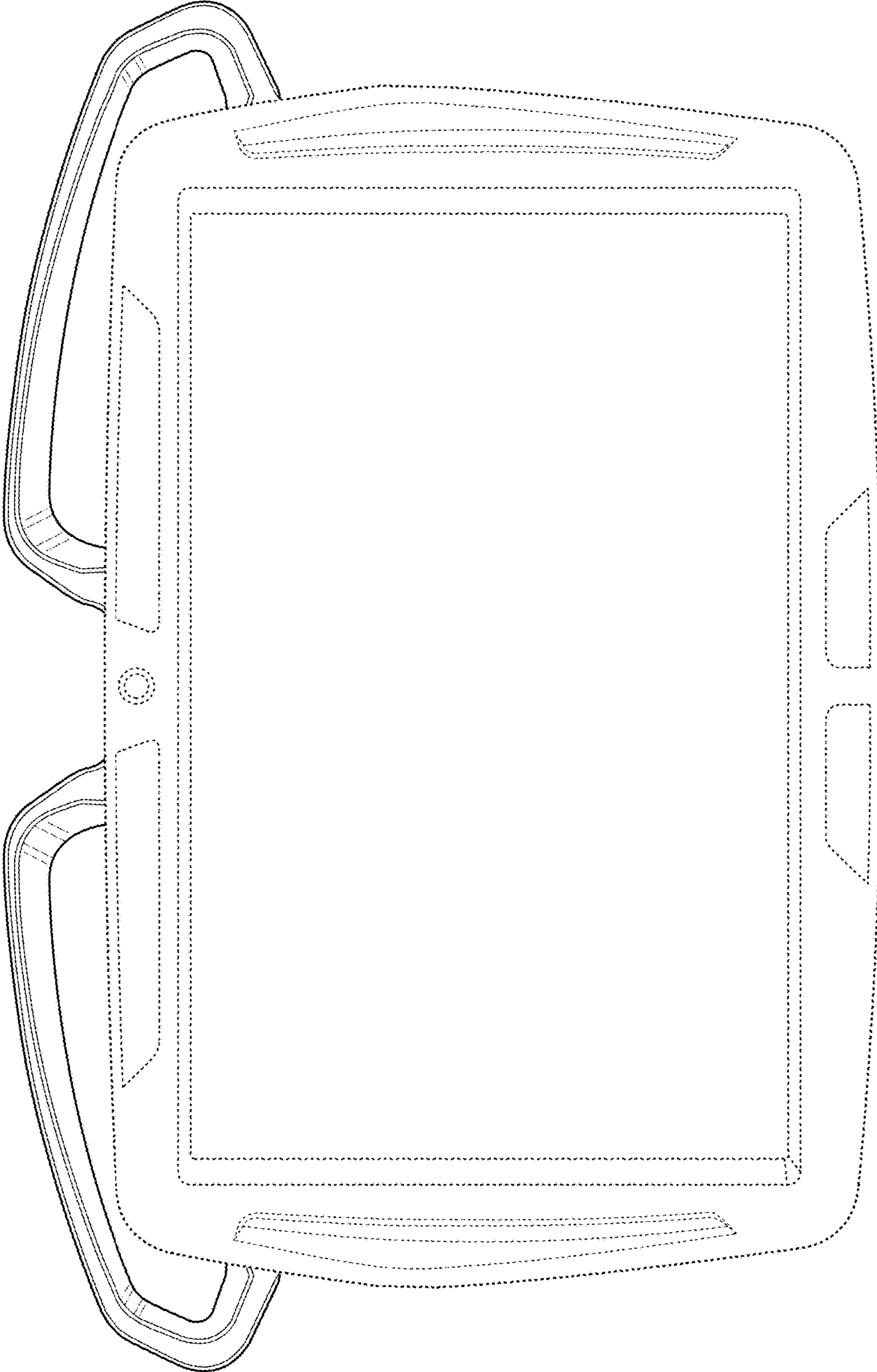


FIG. 2

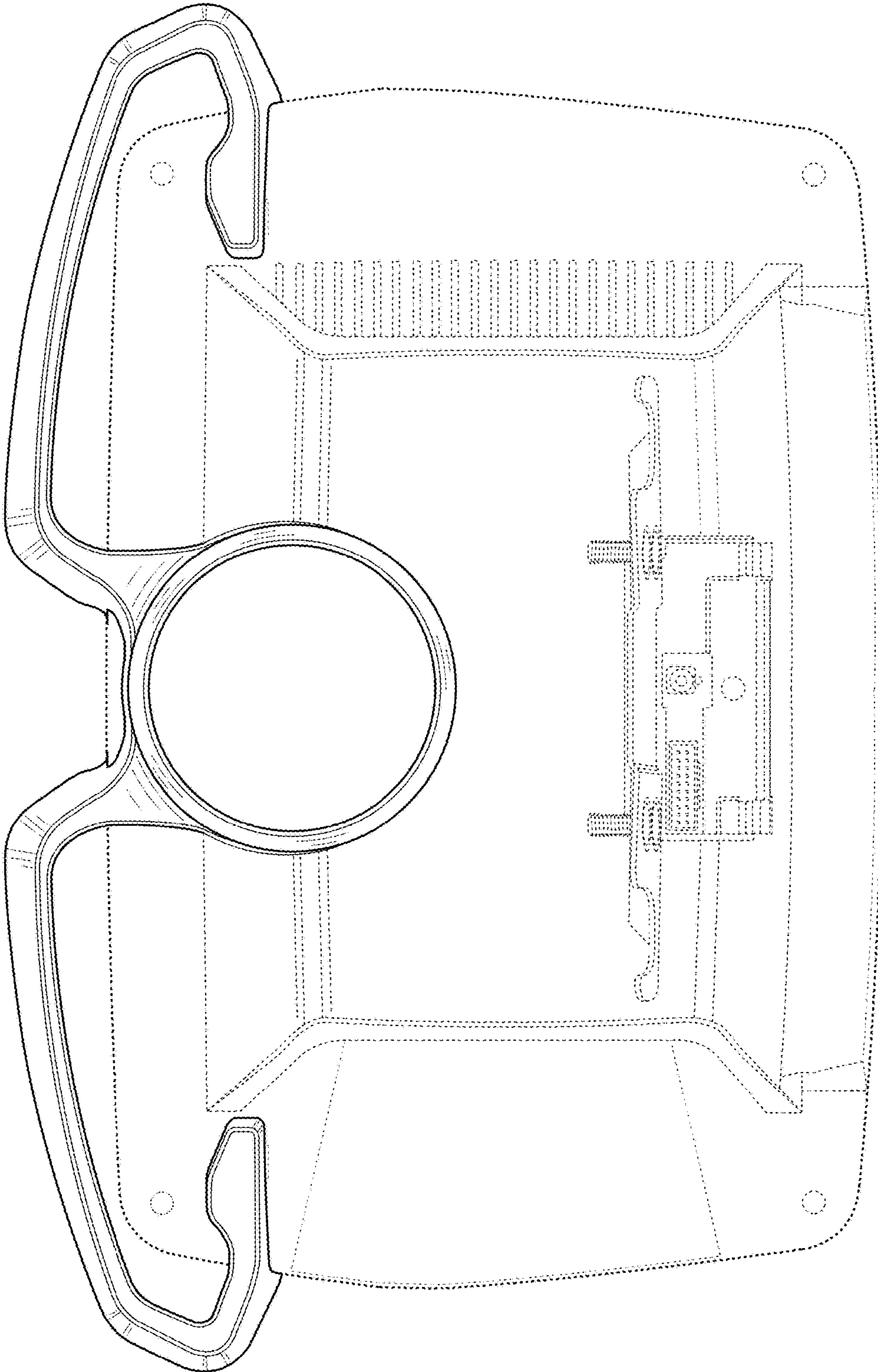


FIG. 3

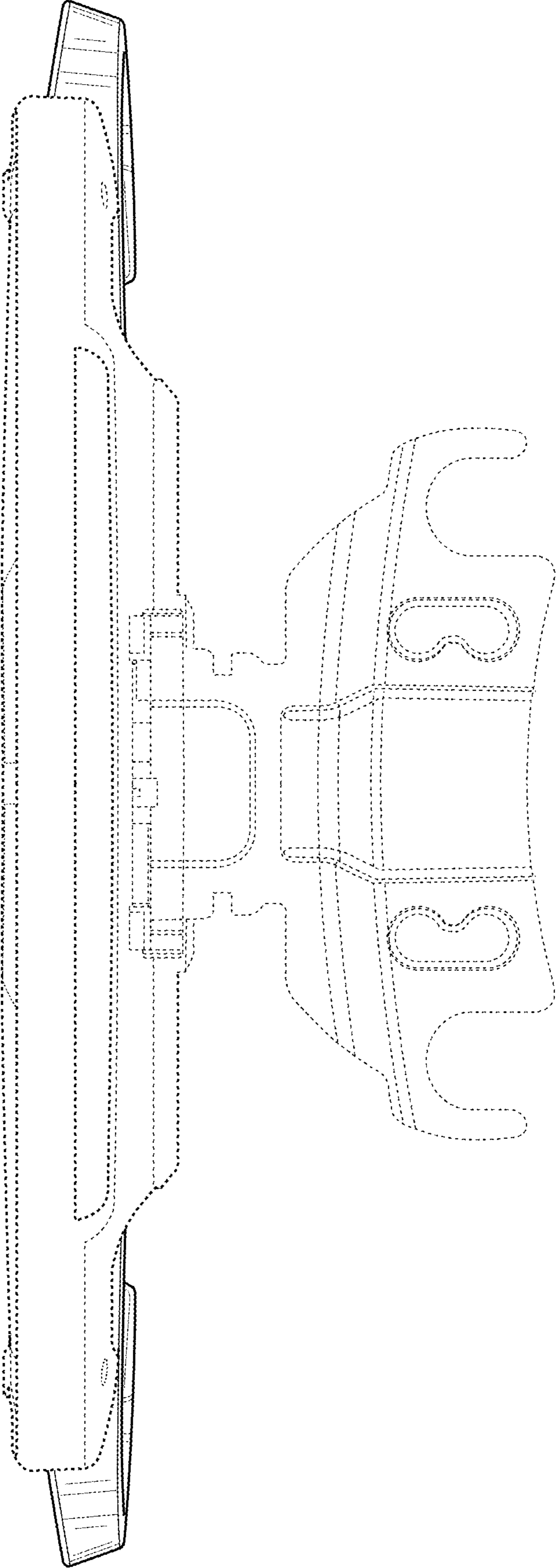


FIG. 4

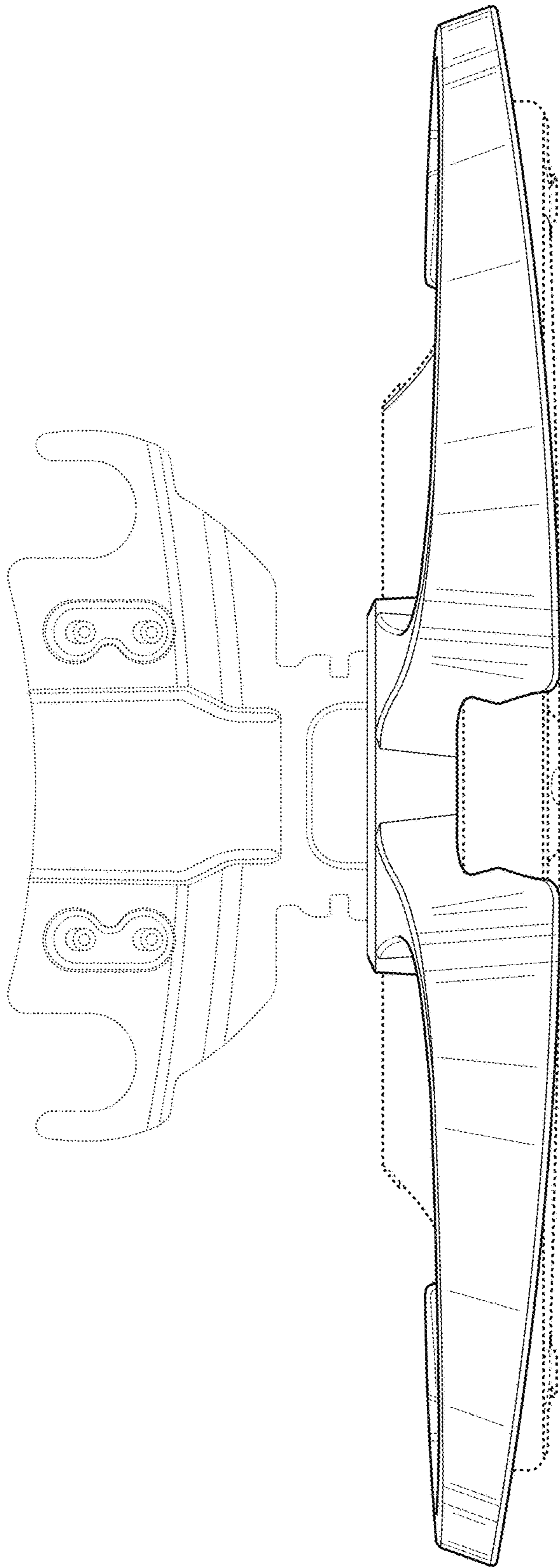


FIG. 5

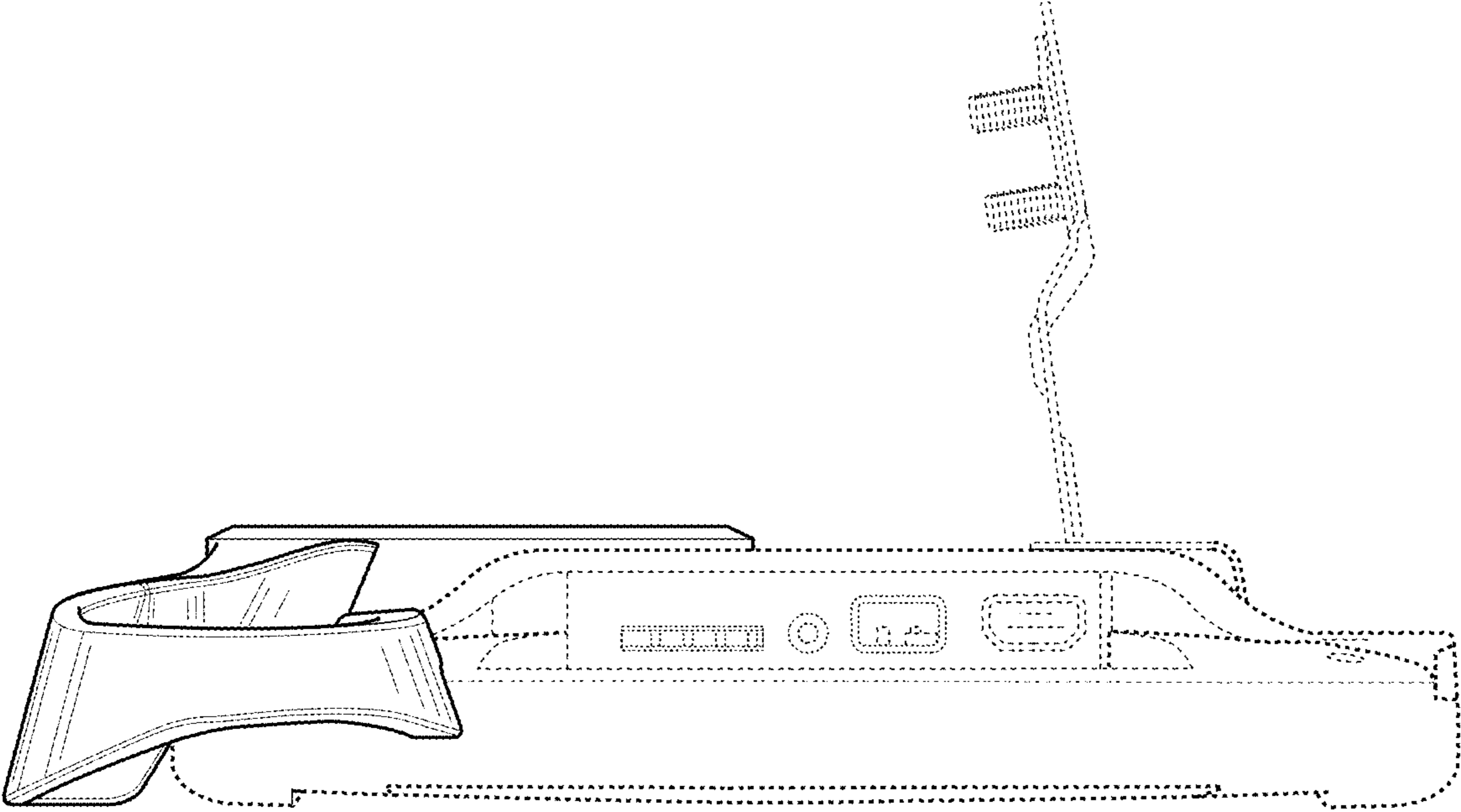


FIG. 7

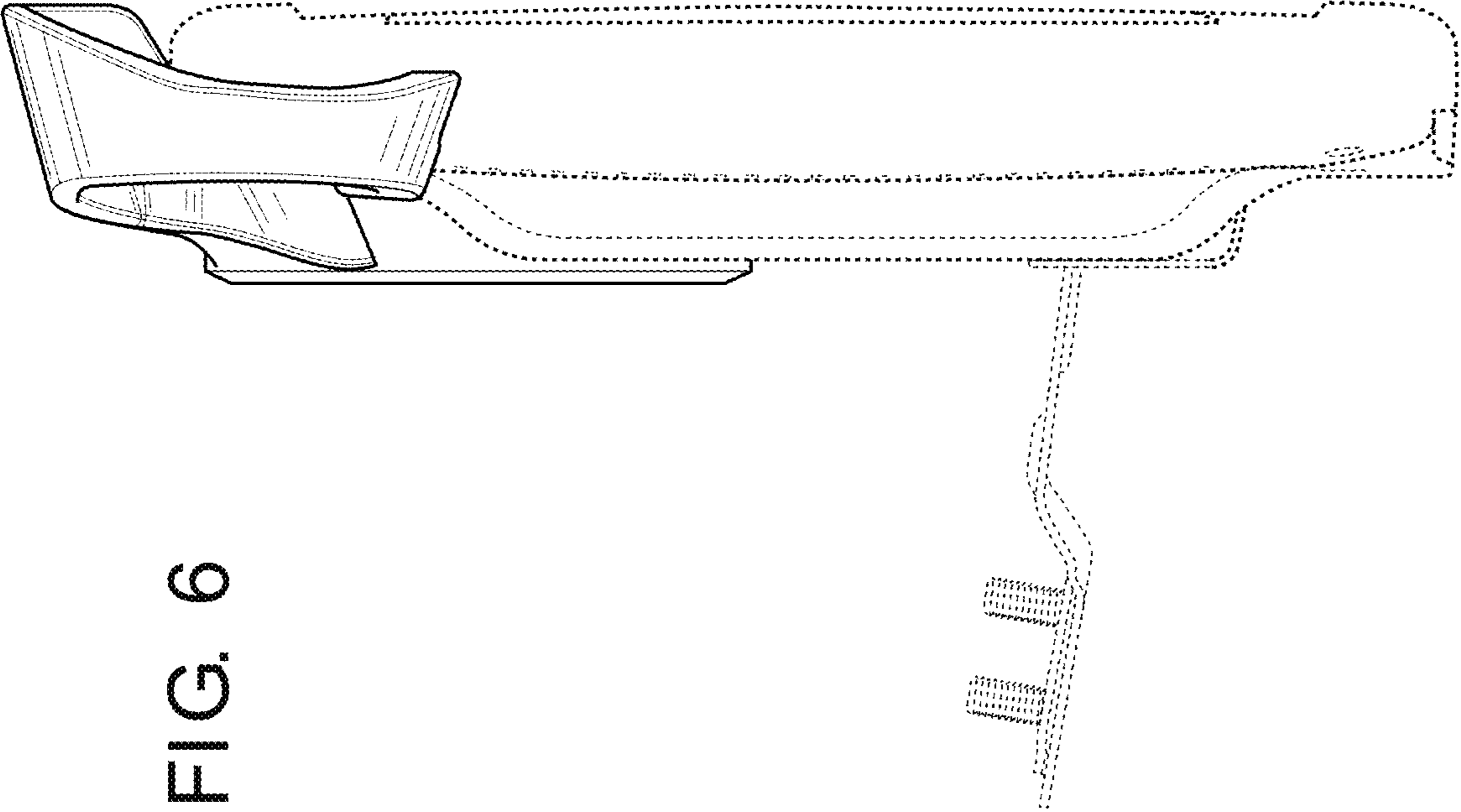


FIG. 6



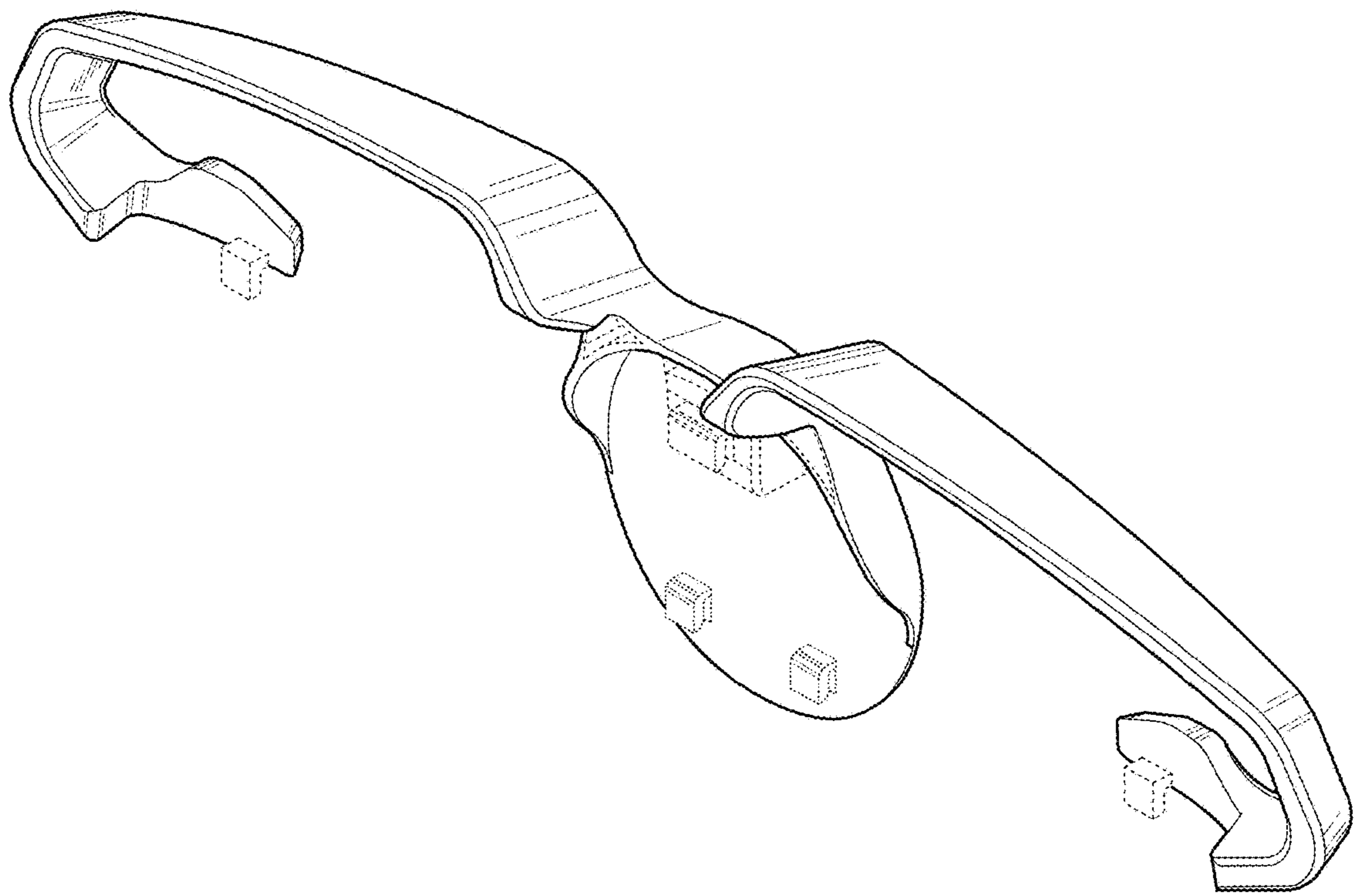


FIG. 8

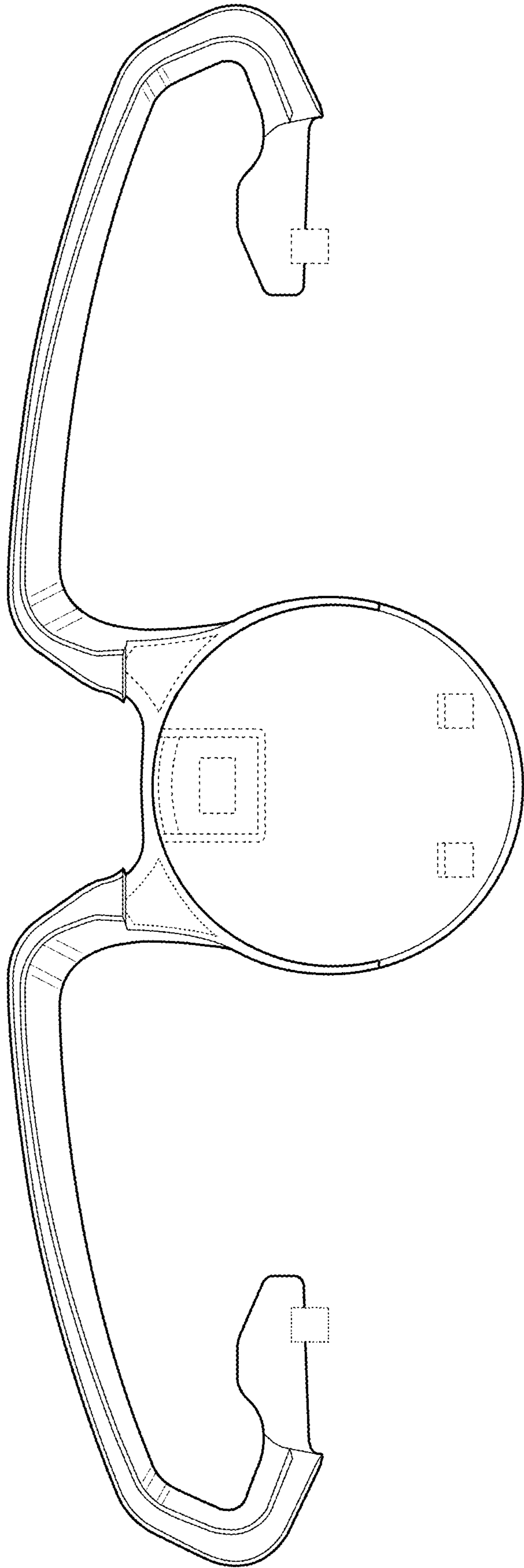


FIG. 9

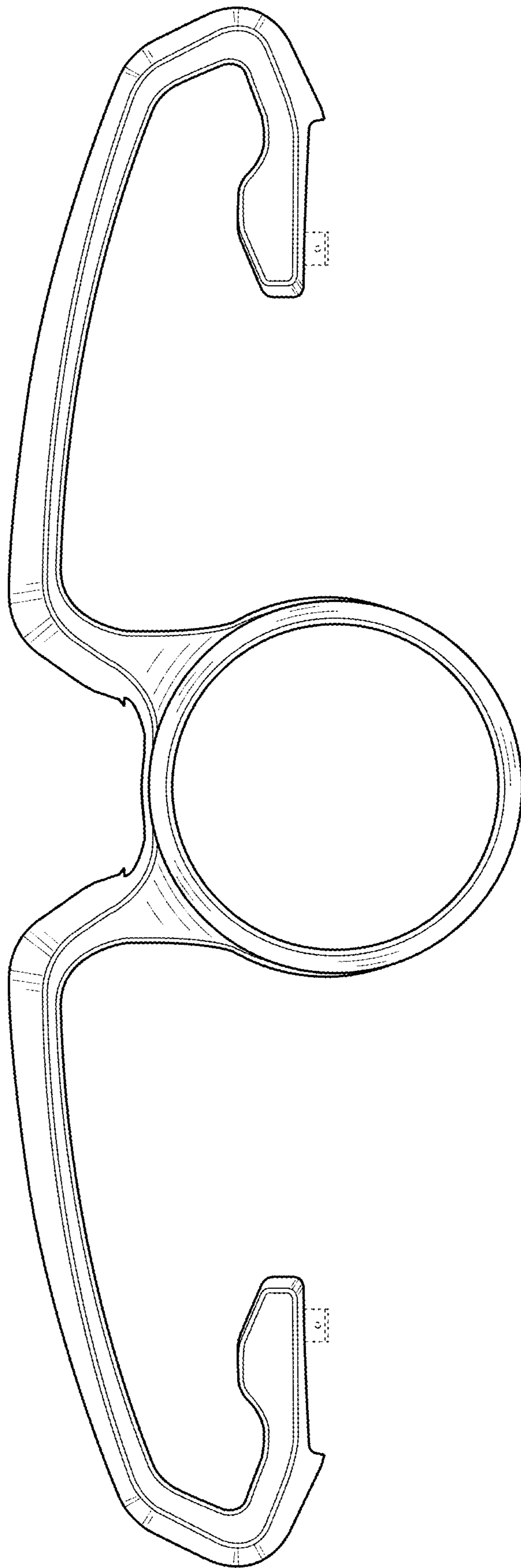


FIG. 10

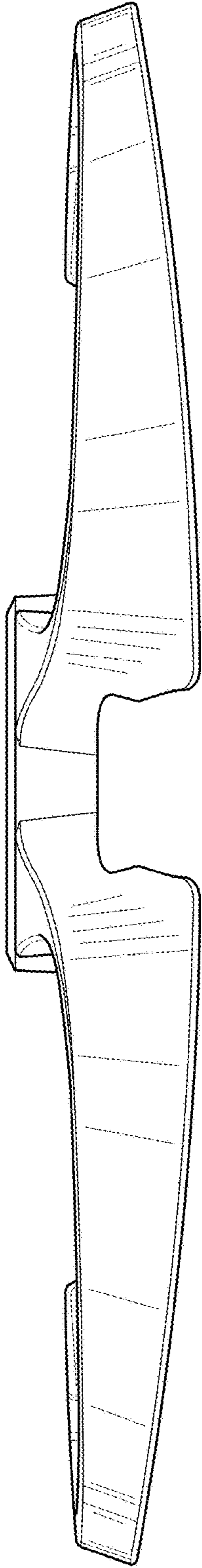


FIG. 11

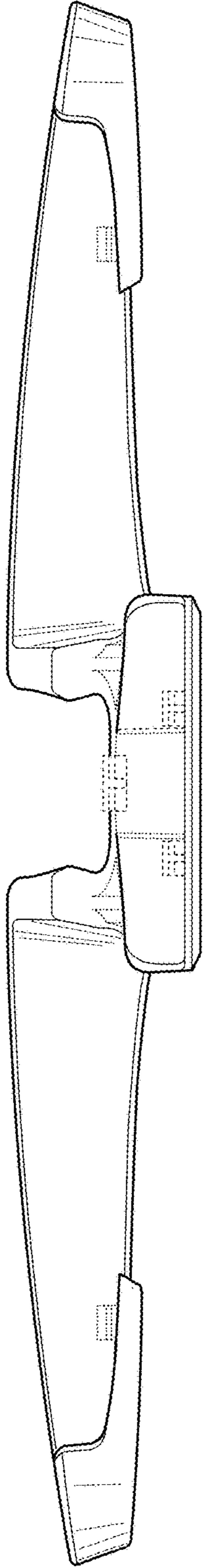


FIG. 12

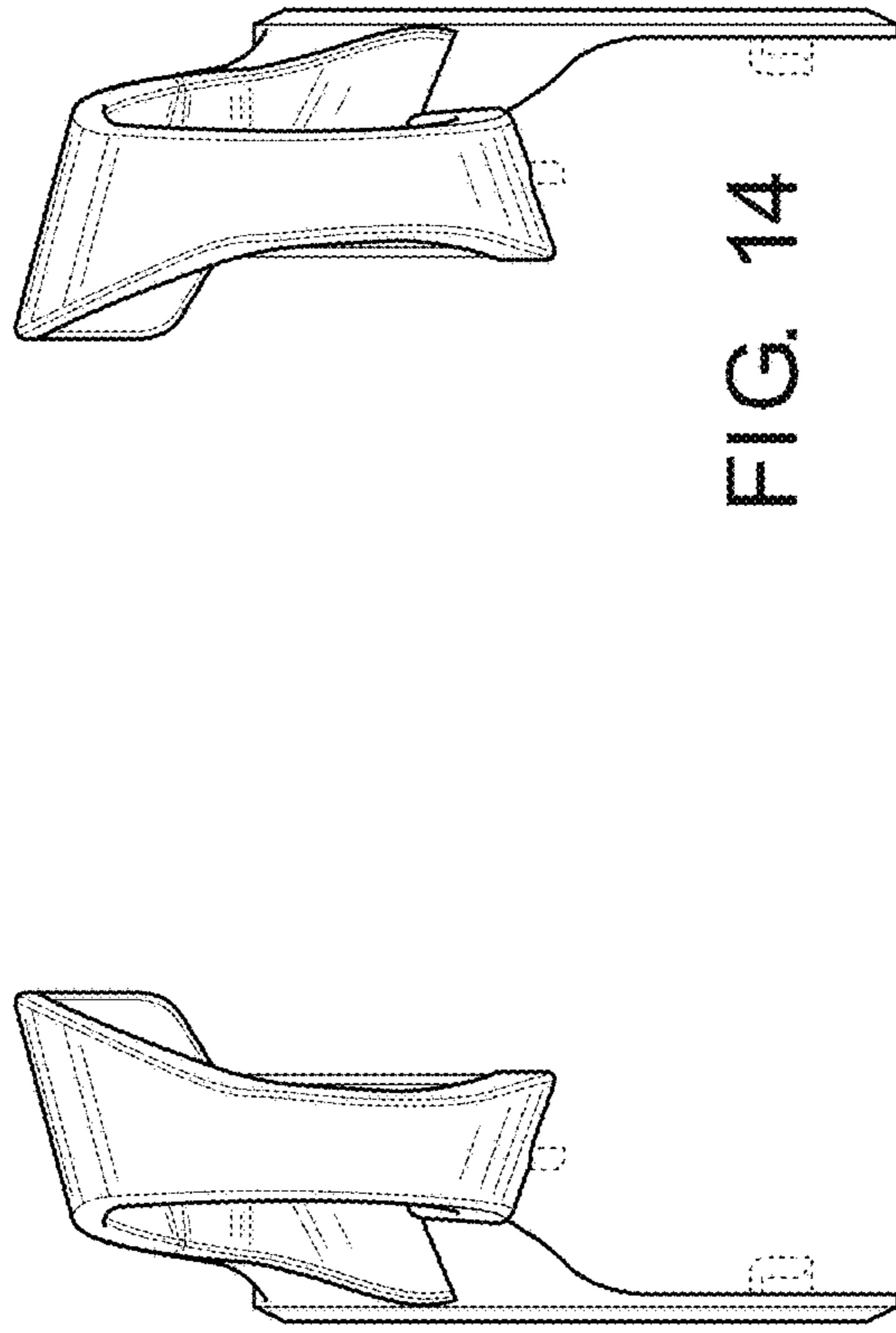


FIG. 13

FIG. 14