



US00D786260S

(12) **United States Design Patent**
Heckler

(10) **Patent No.:** **US D786,260 S**

(45) **Date of Patent:** **** May 9, 2017**

- (54) **CELL PHONE COASTER**
- (71) Applicant: **Hecktech, Inc.**, Phoenix, AZ (US)
- (72) Inventor: **Dean Heckler**, Phoenix, AZ (US)
- (73) Assignee: **HECKTECH, INC.**, Phoenix, AZ (US)

(**) Term: **15 Years**

(21) Appl. No.: **29/563,108**

(22) Filed: **May 2, 2016**

(51) **LOC (10) Cl.** **08-07**

(52) **U.S. Cl.**
USPC **D14/447**

(58) **Field of Classification Search**
 USPC D14/447, 432, 434, 439, 440, 451, 452,
 D14/457, 239; D12/415; D8/363, 373,
 D8/380
 CPC A47B 21/04; A47B 2097/006; A47B
 2097/005; A47B 2023/049; A45C
 2011/002; A45C 2011/003; F16M
 2200/00; F16M 13/00

See application file for complete search history.

(56) **References Cited**

U.S. PATENT DOCUMENTS

- D287,365 S * 12/1986 Judd D14/447
- D465,785 S * 11/2002 Goto D14/447
- D482,039 S * 11/2003 Chen D14/447
- D490,437 S * 5/2004 Miao D14/447
- D540,328 S * 4/2007 Hussaini D14/434
- D634,315 S * 3/2011 Nousiainen D14/253

- D640,705 S * 6/2011 Sogabe D14/447
- D640,708 S * 6/2011 Lee D14/447
- D685,804 S * 7/2013 Richter D14/253
- D722,304 S * 2/2015 Oliveras D14/209.1
- D745,014 S * 12/2015 Vales D14/447
- D753,126 S * 4/2016 Alesi D14/447
- D768,639 S * 10/2016 Sumii D14/447

* cited by examiner

Primary Examiner — Angela J Lee

(74) *Attorney, Agent, or Firm* — Hartman Titus PLC;
John D. Titus

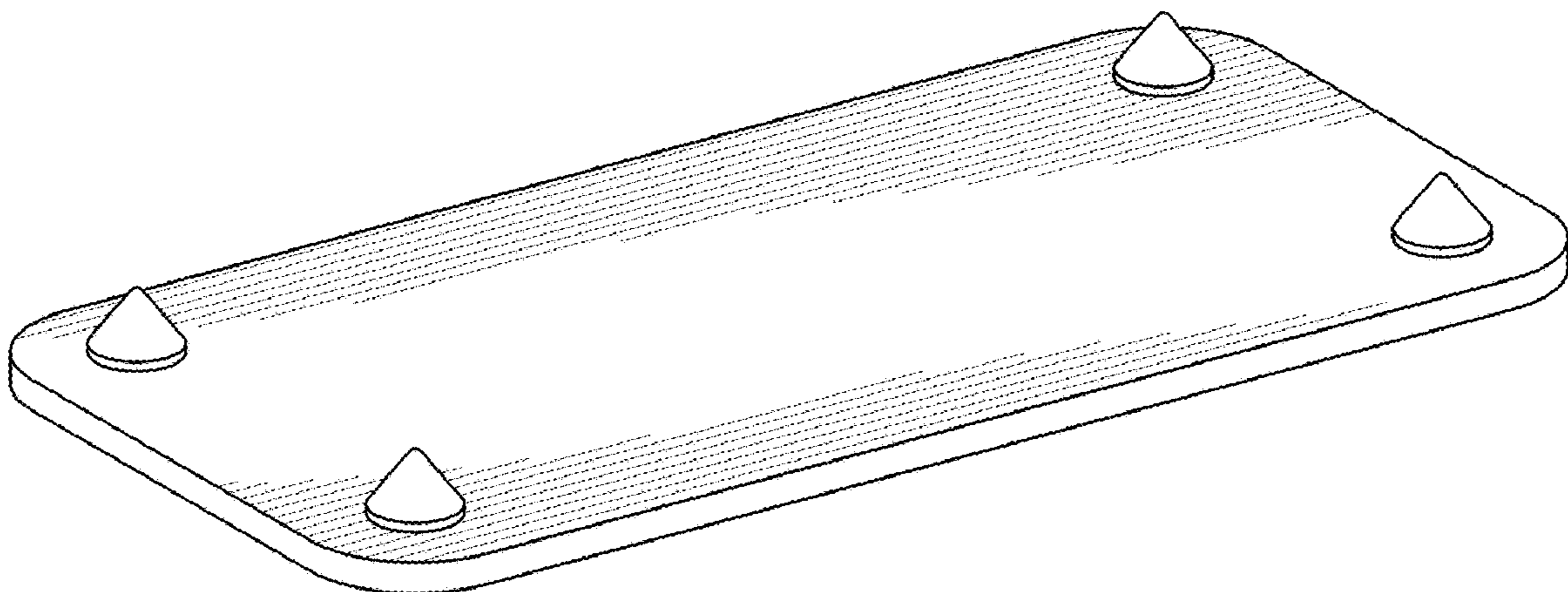
(57) **CLAIM**

The ornamental design for a cell phone coaster, as shown.

DESCRIPTION

FIG. 1 is a top perspective view of a cell phone coaster showing an embodiment of my new design;
 FIG. 2 is a bottom perspective view of the cell phone coaster shown in FIG. 1;
 FIG. 3 is a bottom view of the cell phone coaster shown in FIG. 1;
 FIG. 4 is a top view of the cell phone coaster shown in FIG. 1;
 FIG. 5 is a right side view of the cell phone coaster shown in FIG. 1;
 FIG. 6 is a left side view of the cell phone coaster shown in FIG. 1;
 FIG. 7 is a front view of the cell phone coaster shown in FIG. 1; and,
 FIG. 8 is a rear view of the cell phone coaster shown in FIG. 1.

1 Claim, 3 Drawing Sheets



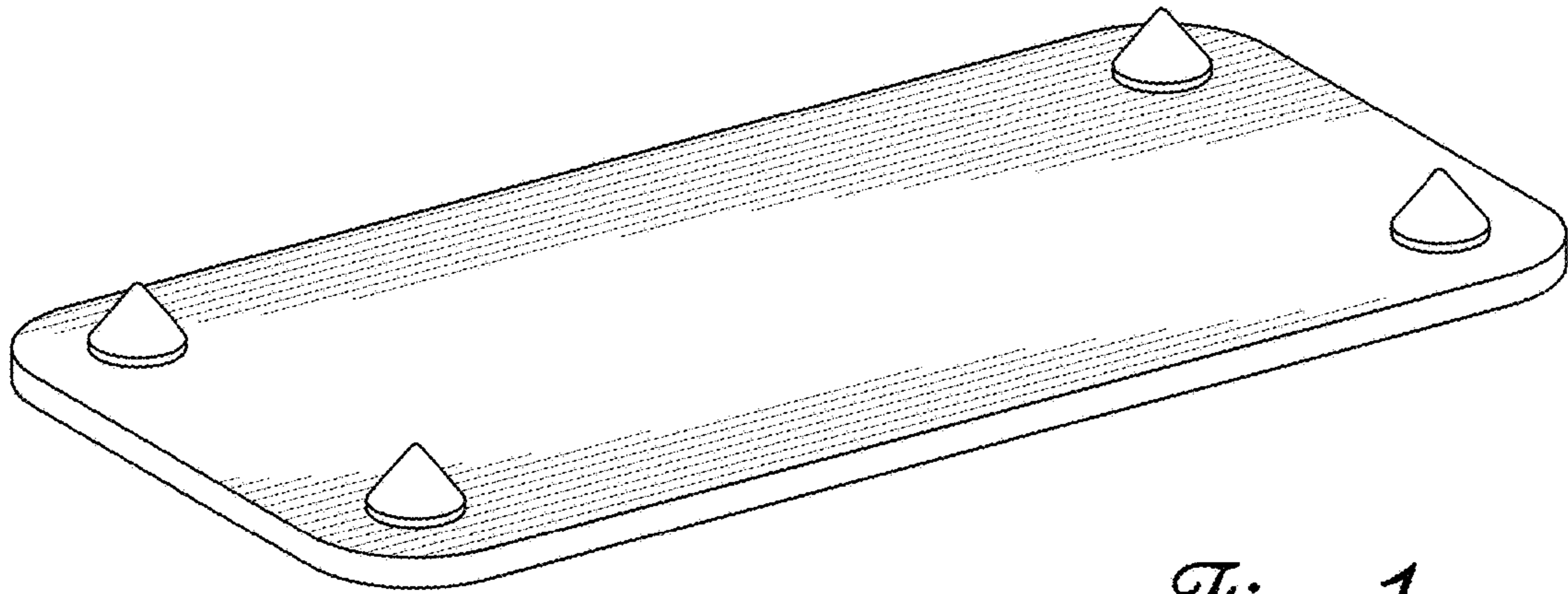


Fig. 1

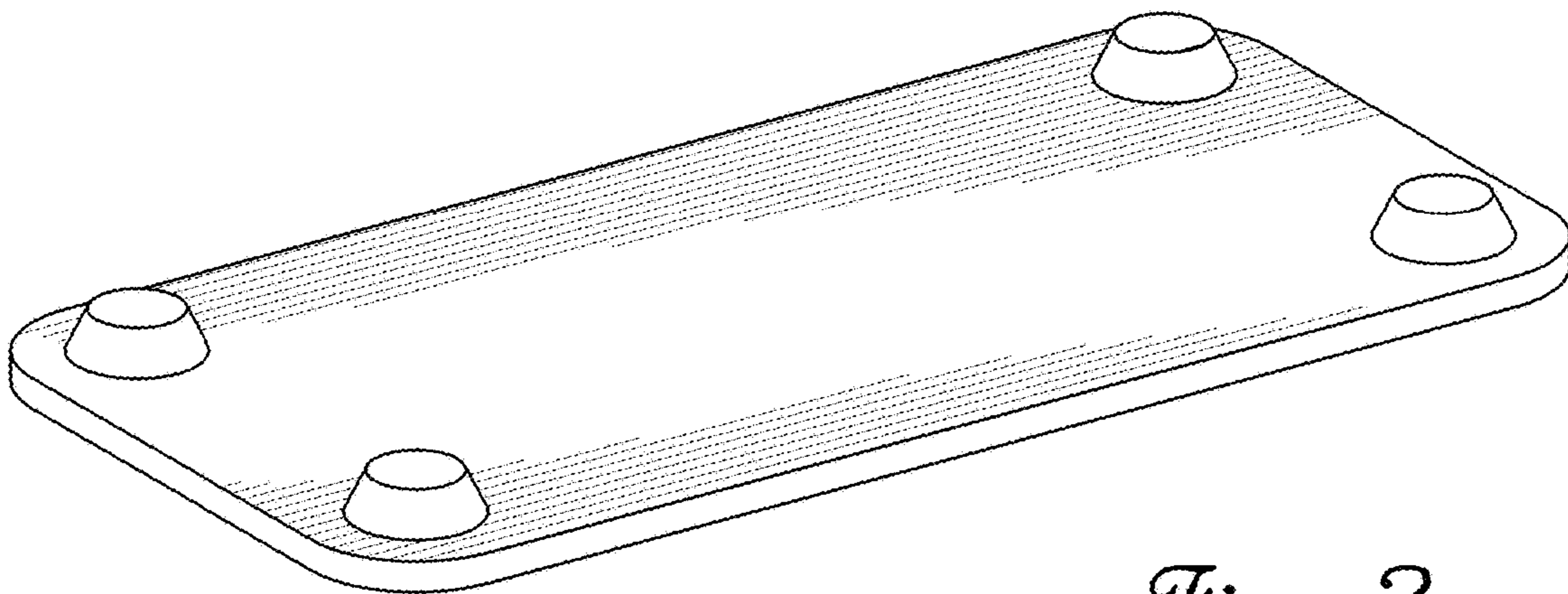


Fig. 2

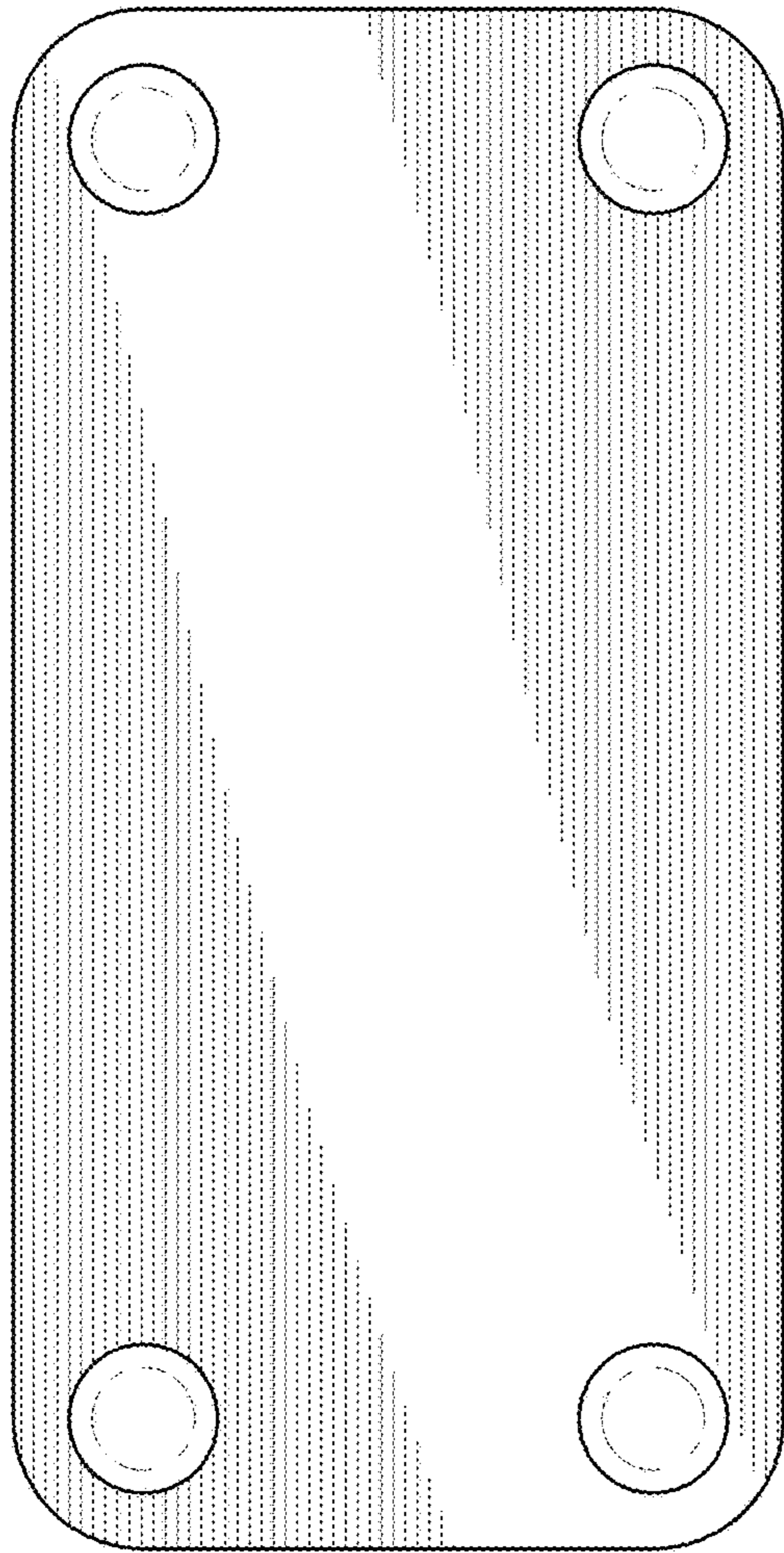


Fig. 3

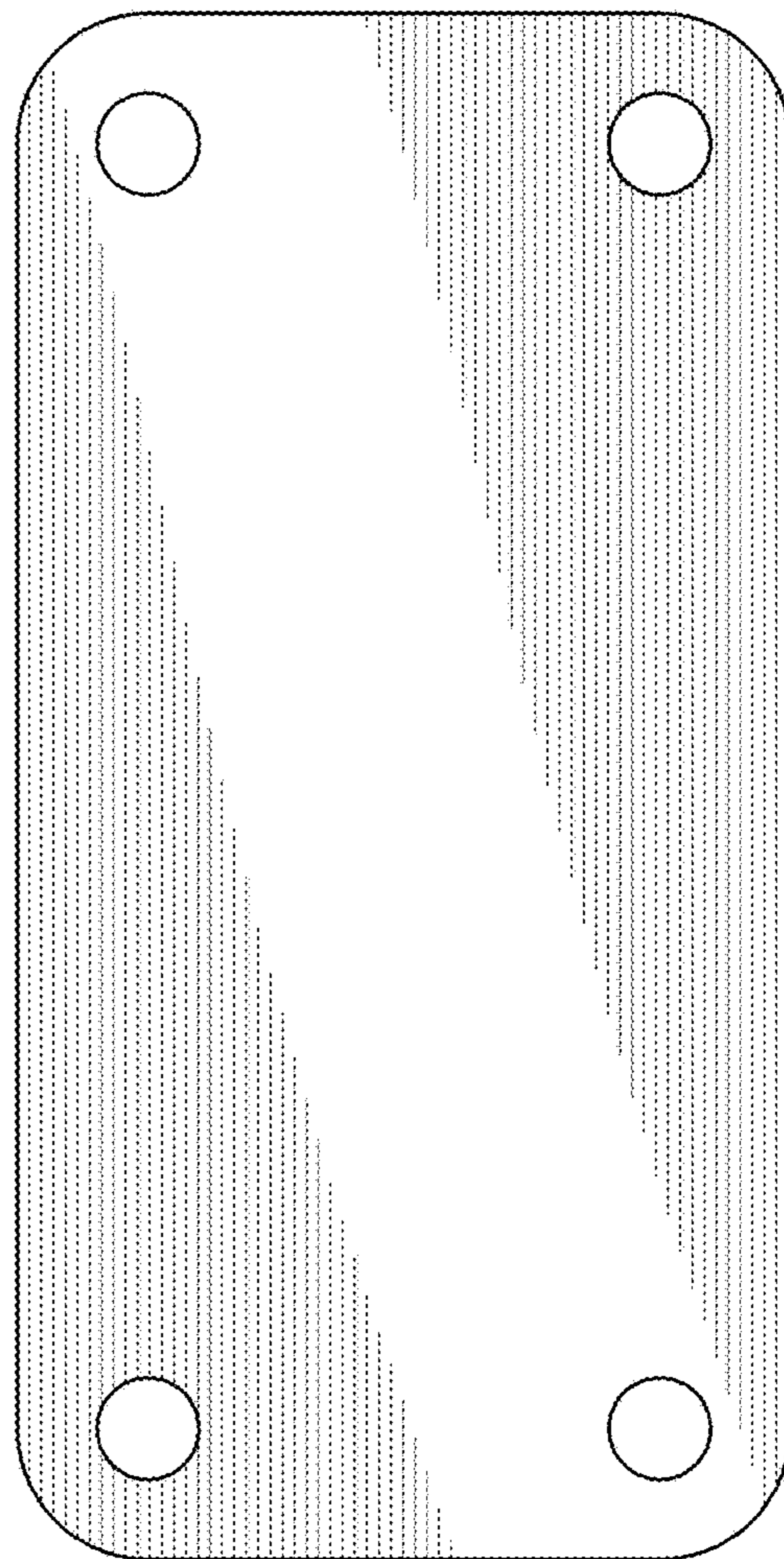


Fig. 4

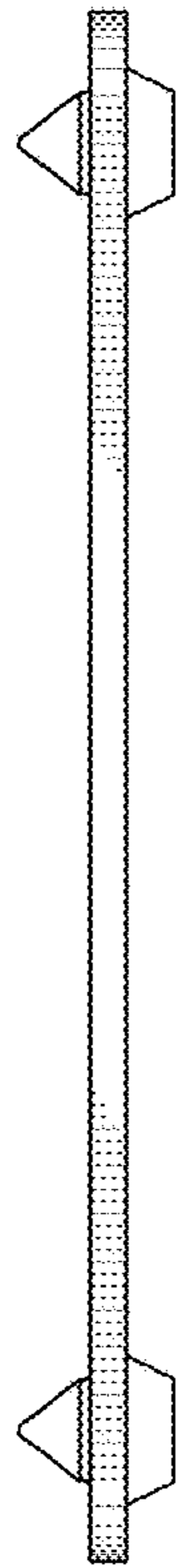


Fig. 5

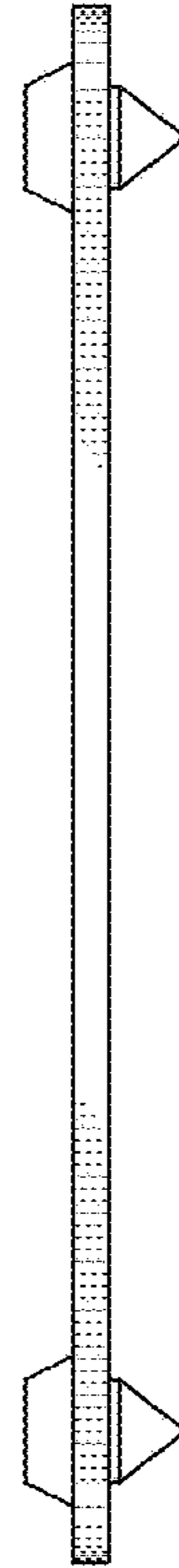


Fig. 6

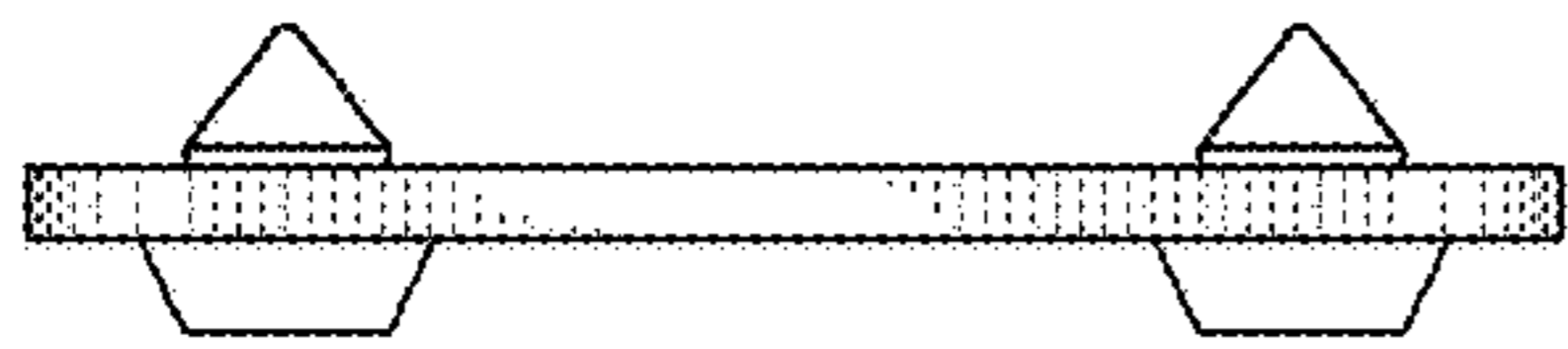


Fig. 7

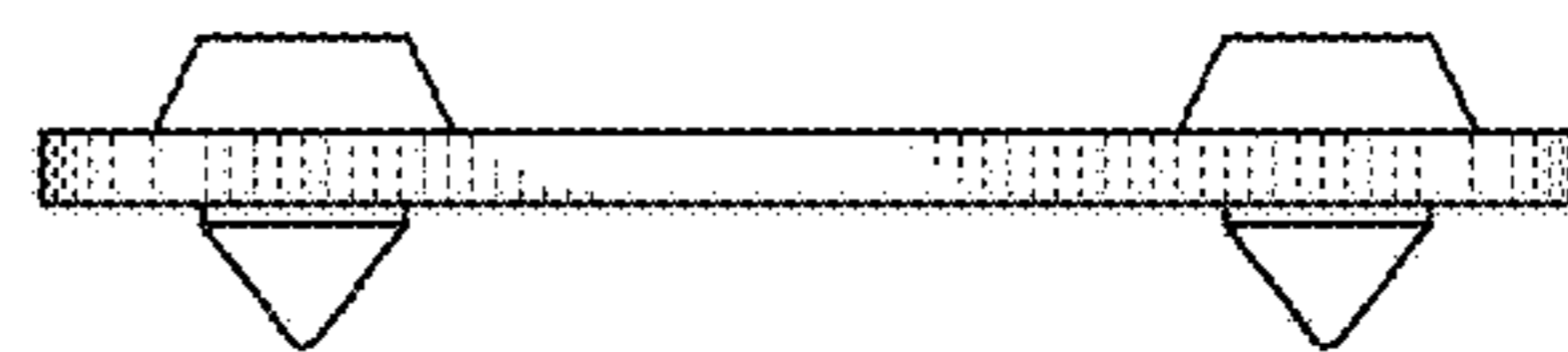


Fig. 8