



US00D786259S

(12) **United States Design Patent** (10) **Patent No.:** **US D786,259 S**
Klabukov et al. (45) **Date of Patent:** **** May 9, 2017**

(54) **ACCESSORY FOR SUPPORTING MOBILE DEVICES AND DISPLAYING INFORMATION**

(71) Applicant: **RIT INNOVATIONS, LLC**, Izhevsk (RU)

(72) Inventors: **Ivan A. Klabukov**, Izhevsk (RU);
Alexey A. Ostanin, Iyulskoye village (RU); **Mikhail V. Sannikov**, Izhevsk (RU); **Aleksandr S. Sukhih**, Votkins (RU)

(73) Assignee: **RIT Innovations**, Izhevsk (RU)

(**) Term: **15 Years**

(21) Appl. No.: **29/562,563**

(22) Filed: **Apr. 27, 2016**

(30) **Foreign Application Priority Data**

Apr. 5, 2016 (RU) 2016501237
(51) **LOC (10) Cl.** **08-07**

(52) **U.S. Cl.**
USPC **D14/447**

(58) **Field of Classification Search**
USPC D14/447, 432, 434, 439, 440, 451, 452,
D14/457, 239; D8/363, 373, 380;
D6/406.3, 406.4, 406.5, 406.6; D12/415
(Continued)

(56) **References Cited**

U.S. PATENT DOCUMENTS

D533,558 S * 12/2006 Elkhuzen D14/447
D557,698 S * 12/2007 Lye D14/447
(Continued)

FOREIGN PATENT DOCUMENTS

CN 303648074 4/2016
KR 3007692890000 11/2014
KR 3007692900000 11/2014
KR 3007840820000 2/2015
KR 3008186180000 10/2015

Primary Examiner — Angela J Lee

(74) *Attorney, Agent, or Firm* — Georgiy L. Khayet

(57) **CLAIM**

The ornamental design for an accessory for supporting mobile devices and displaying information, as shown and described.

DESCRIPTION

FIG. 1 is a front view of a first embodiment of an accessory for supporting mobile devices and displaying information showing the new design;

FIG. 2 is a front view thereof, but shown in a folded position;

FIG. 3 is a rear view thereof, but shown in an open position;

FIG. 4 is a rear view thereof, but shown in a folded position;

FIG. 5 is a top perspective view thereof, but shown in an open position;

FIG. 6 is a top perspective view thereof, but shown in a folded position;

FIG. 7 is a bottom perspective view thereof, but shown in an open position; and

FIG. 8 is a bottom perspective view thereof, but shown in a folded position.

FIG. 9 is a front view of a second embodiment of an accessory for supporting mobile devices and displaying information showing the new design;

FIG. 10 is a front view thereof, but shown in a folded position;

FIG. 11 is a rear view thereof, but shown in an open position;

FIG. 12 is a rear view thereof, but shown in a folded position;

FIG. 13 is a top perspective view thereof, but shown in an open position;

FIG. 14 is a top perspective view thereof, but shown in a folded position;

FIG. 15 is a bottom perspective view thereof, but shown in an open position; and

FIG. 16 is a bottom perspective view thereof, but shown in a folded position.

FIG. 17 is a front view of a third embodiment of an accessory for supporting mobile devices and displaying information showing the new design;

(Continued)

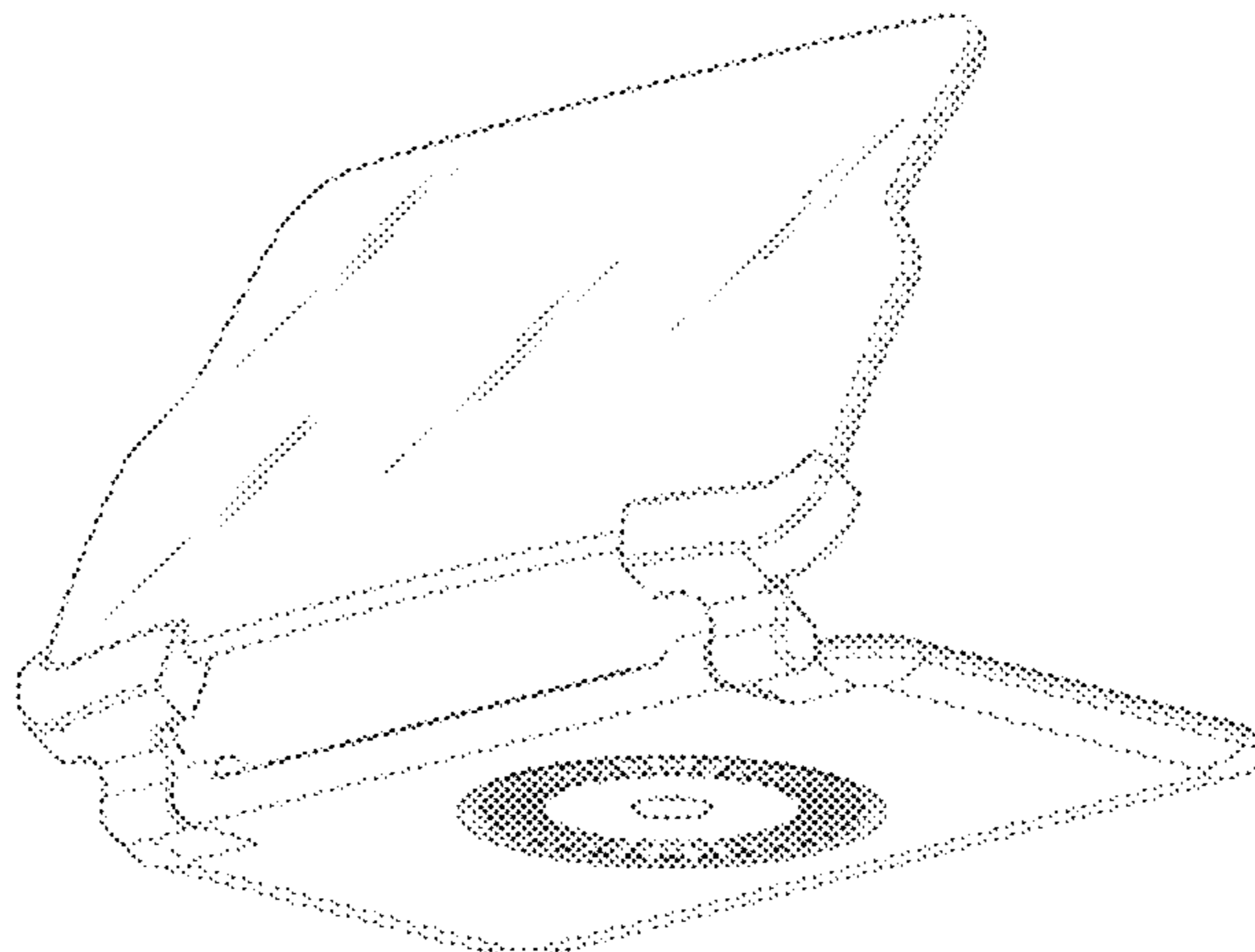


FIG. 18 is a front view thereof, but shown in a folded position;
 FIG. 19 is a rear view thereof, but shown in an open position;
 FIG. 20 is a rear view thereof, but shown in a folded position;
 FIG. 21 is a top perspective view thereof, but shown in an open position;
 FIG. 22 is a top perspective view thereof, but shown in a folded position;
 FIG. 23 is a bottom perspective view thereof, but shown in an open position; and
 FIG. 24 is a bottom perspective view thereof, but shown in a folded position.
 FIG. 25 is a front view of a fourth embodiment of an accessory for supporting mobile devices and displaying information showing the new design;
 FIG. 26 is a front view thereof, but shown in a folded position;
 FIG. 27 is a rear view thereof, but shown in an open position;
 FIG. 28 is a rear view thereof, but shown in a folded position;
 FIG. 29 is a top perspective view thereof, but shown in an open position;
 FIG. 30 is a top perspective view thereof, but shown in a folded position;
 FIG. 31 is a bottom perspective view thereof, but shown in an open position; and,

FIG. 32 is a bottom perspective view thereof, but shown in a folded position.

1 Claim, 32 Drawing Sheets

(58) **Field of Classification Search**

CPC A47B 21/04; A47B 2097/006; A47B 2097/005; A47B 2023/049; A45C 2011/002; A45C 2011/003; F16M 2200/00; F16M 13/00

See application file for complete search history.

(56) **References Cited**

U.S. PATENT DOCUMENTS

D589,964	S *	4/2009	Heggland	D14/434
D644,230	S *	8/2011	Lin	D14/447
8,056,871	B2 *	11/2011	Matias	A47B 23/043 248/176.1
D662,938	S *	7/2012	Marshall	D14/434
D673,961	S *	1/2013	Matsui	D14/447
D676,449	S *	2/2013	Probst	D14/440
D678,886	S *	3/2013	Heckler	D14/447
D692,010	S *	10/2013	Verghese	D14/447
D703,677	S *	4/2014	Bigazzi	D14/447
D705,785	S *	5/2014	Wang	D14/447
D721,710	S *	1/2015	Messing	D14/447
D725,693	S	3/2015	Lenz et al.	

* cited by examiner

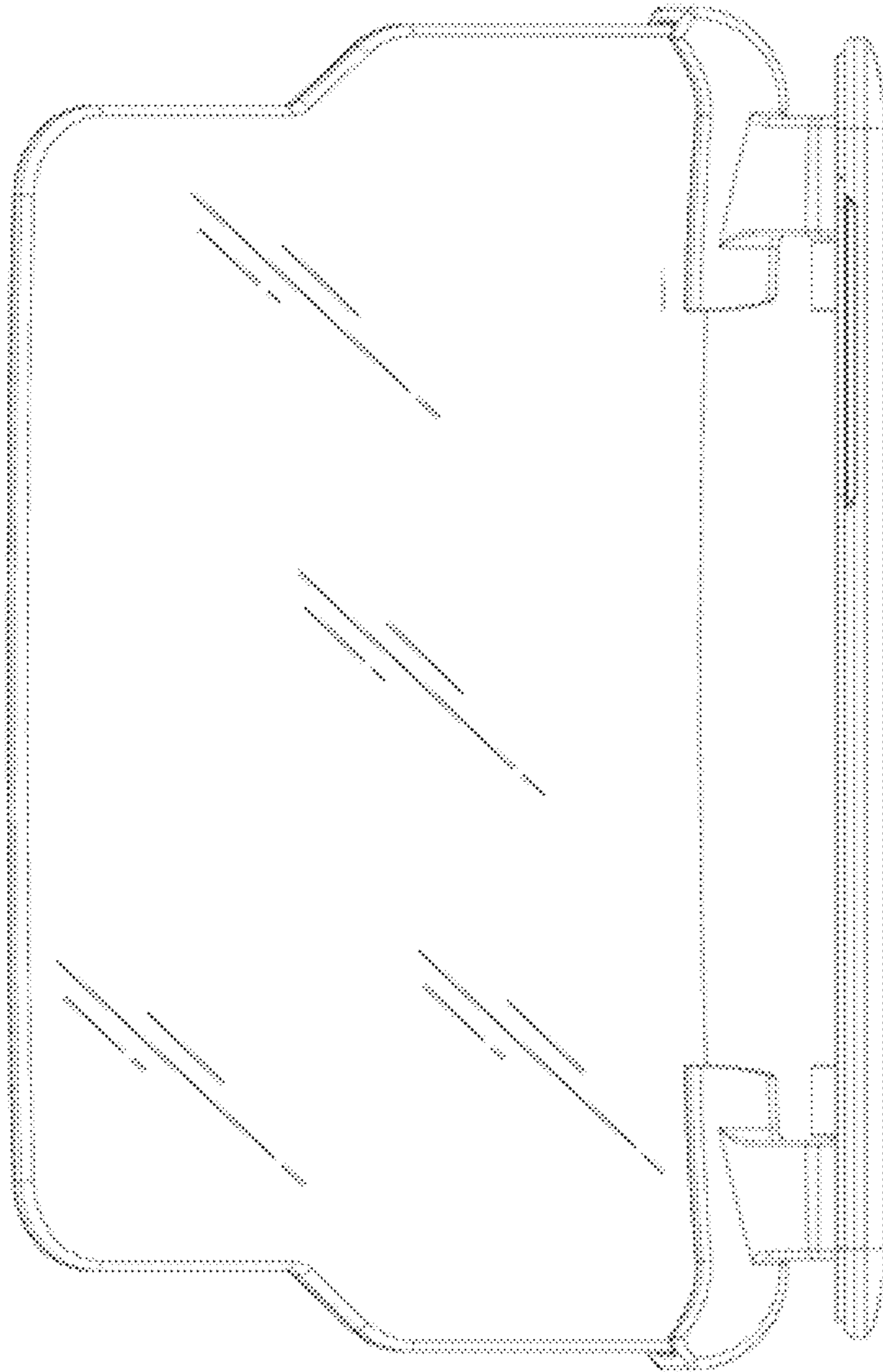


FIG. 1

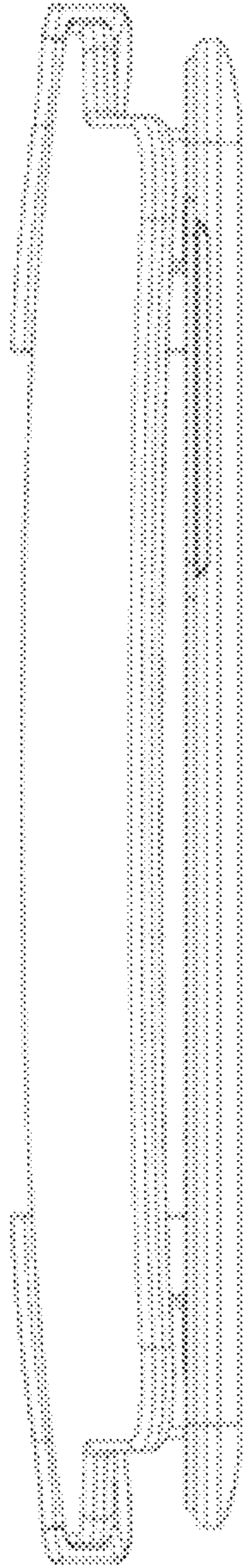


FIG. 2

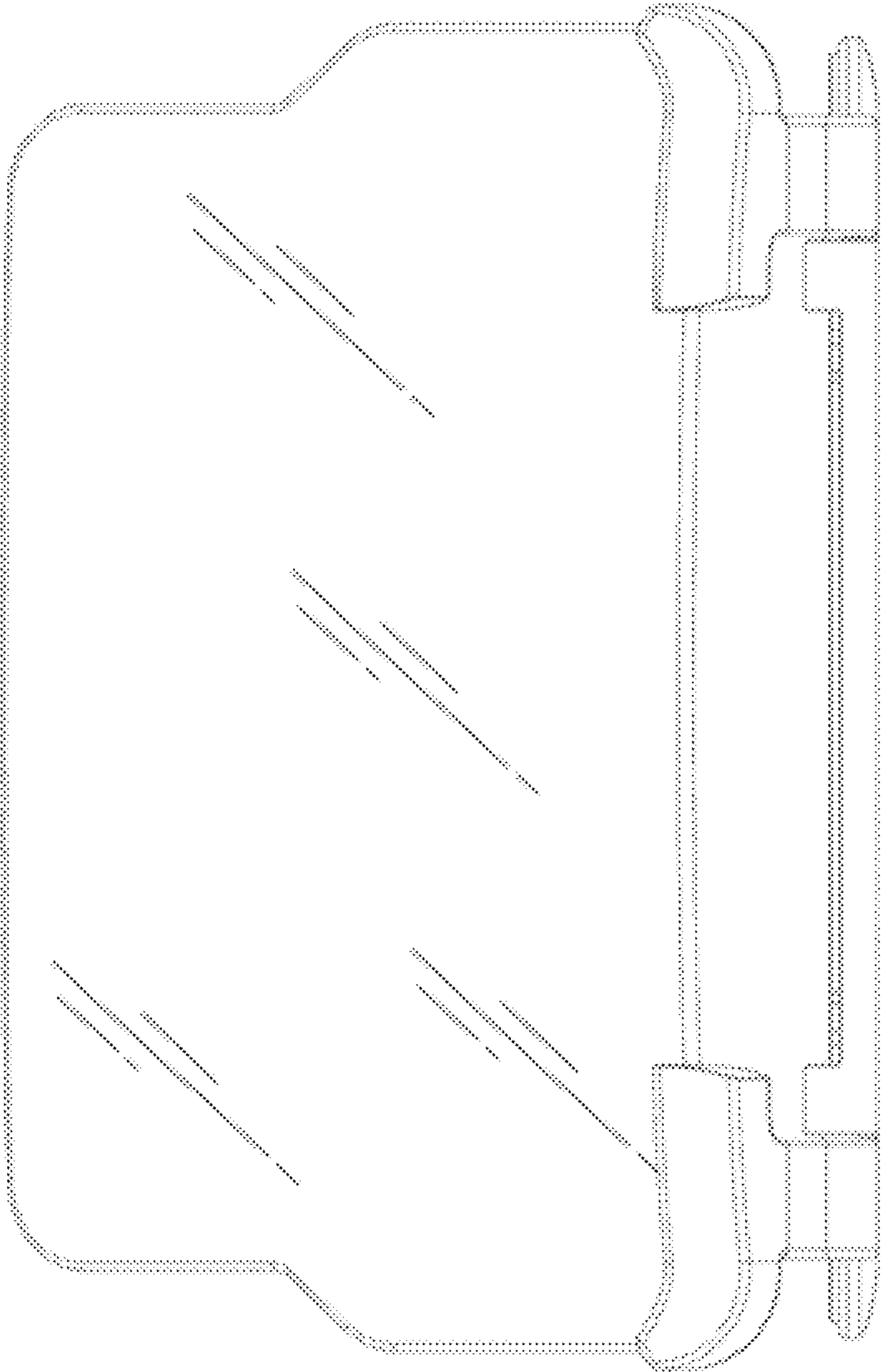


FIG. 3

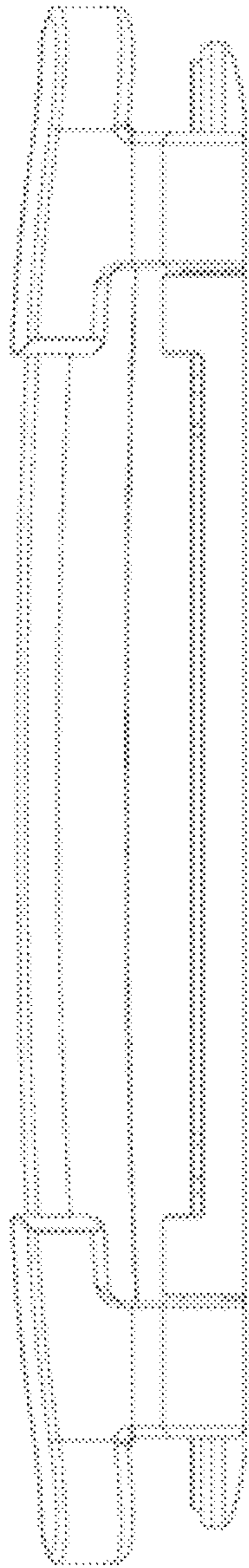


FIG. 4

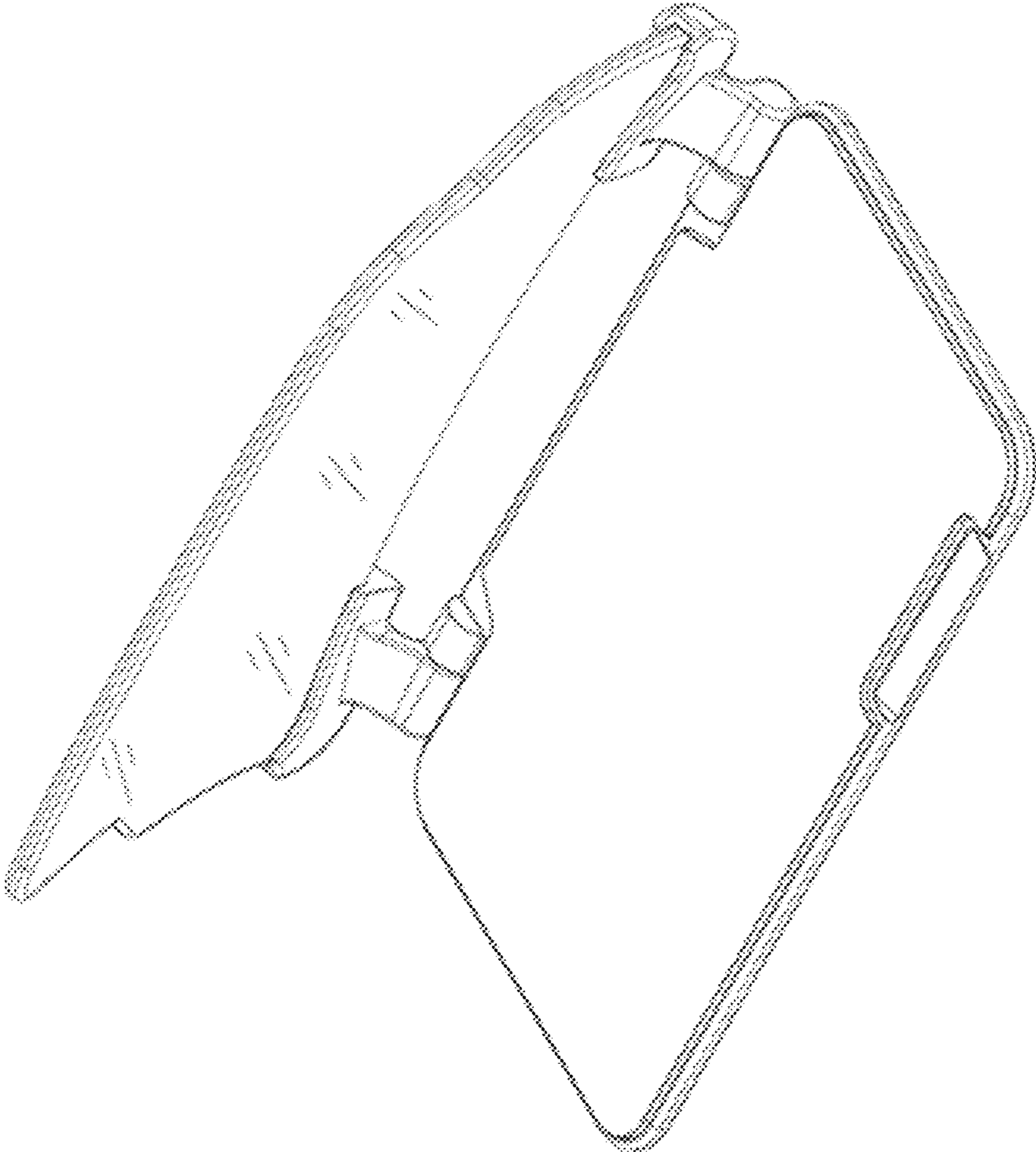


FIG. 5

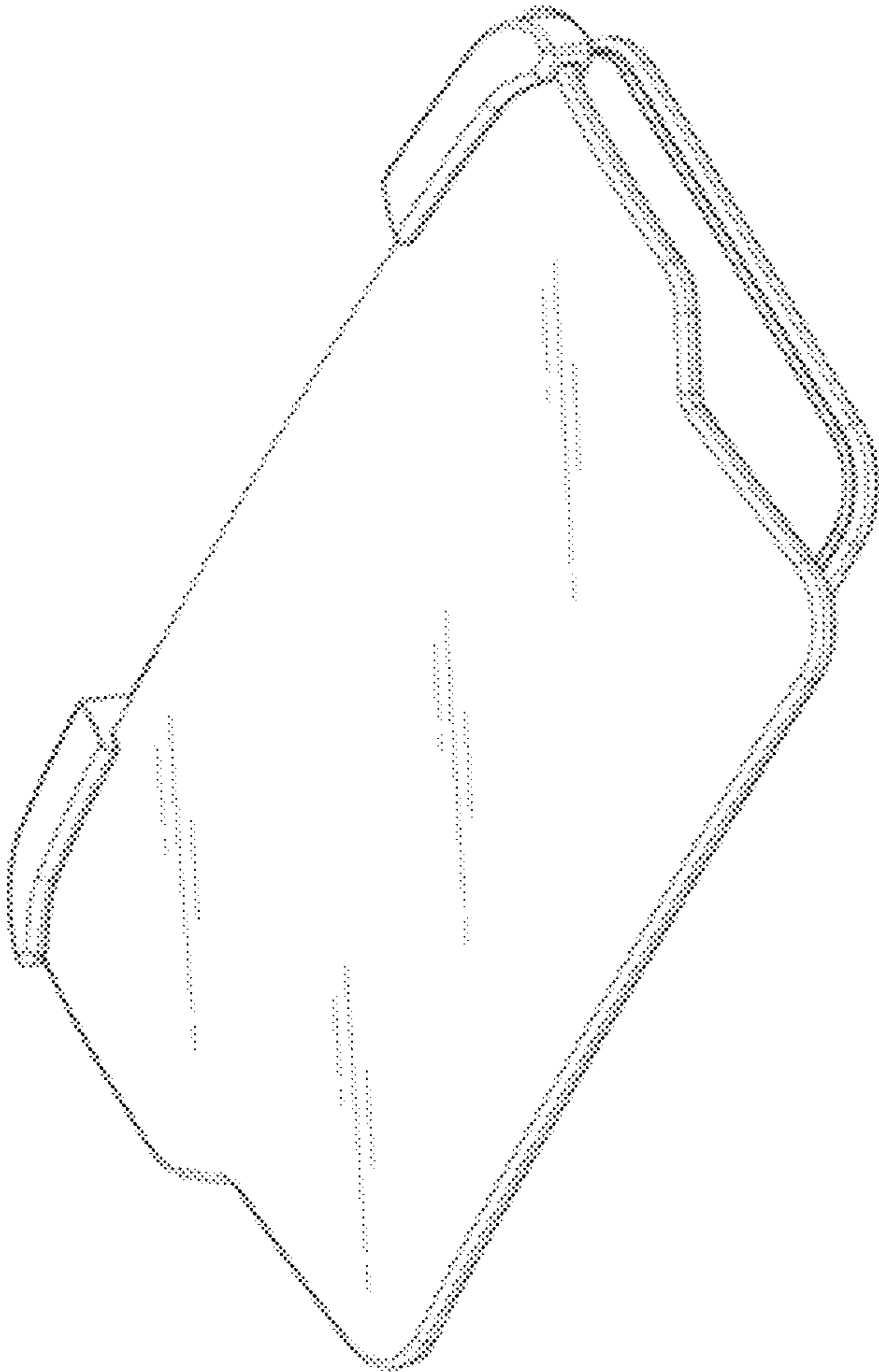


FIG. 6

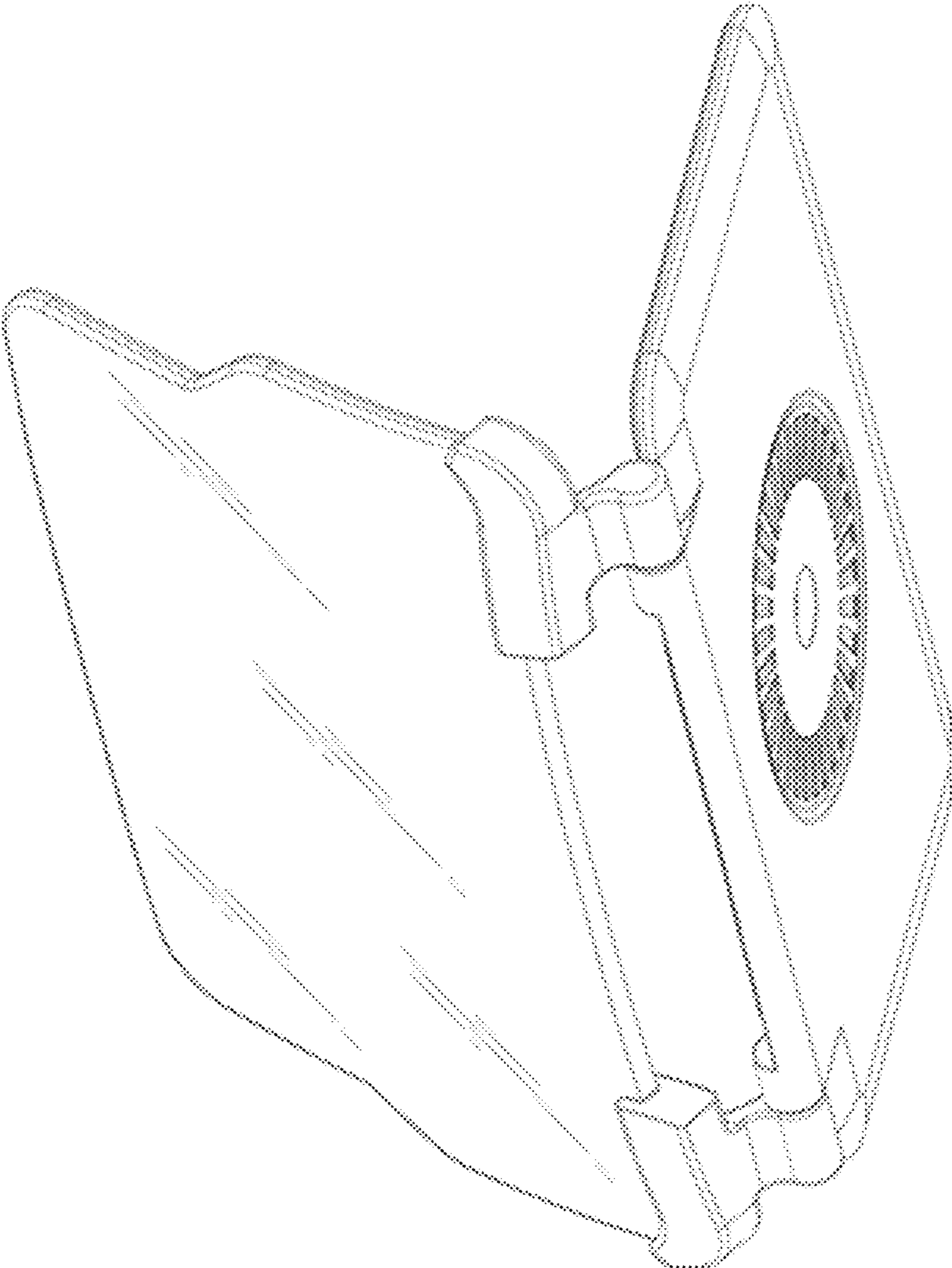


FIG. 7

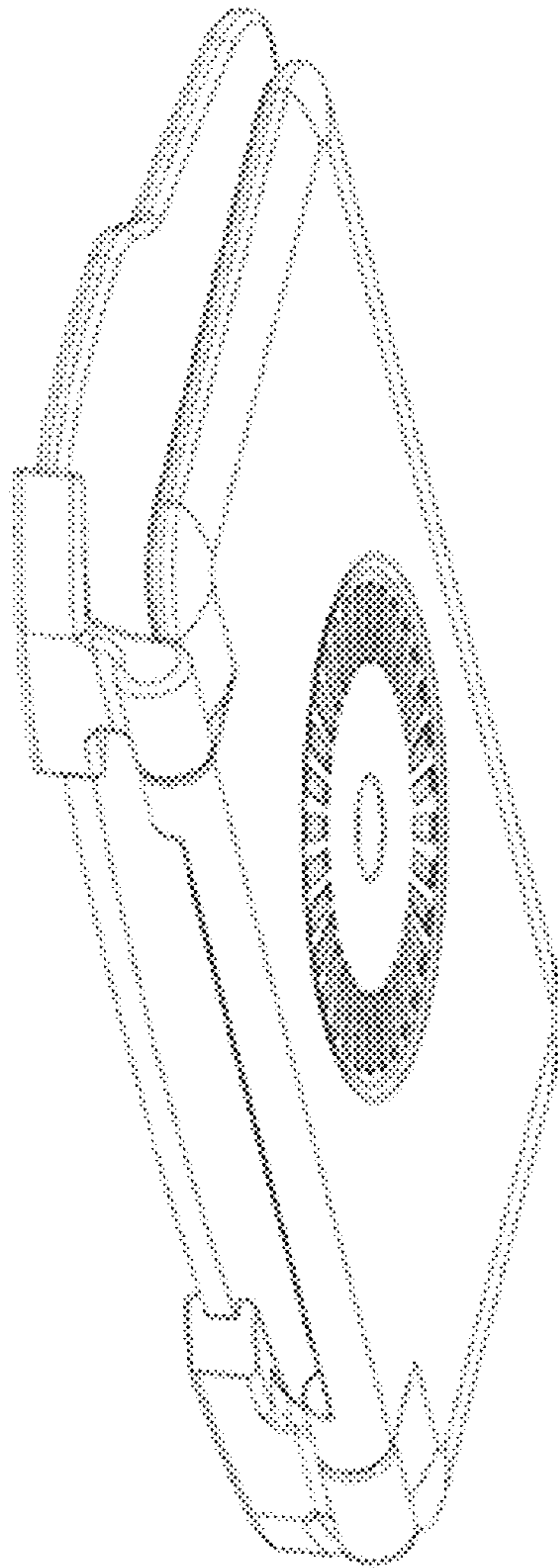


FIG. 8

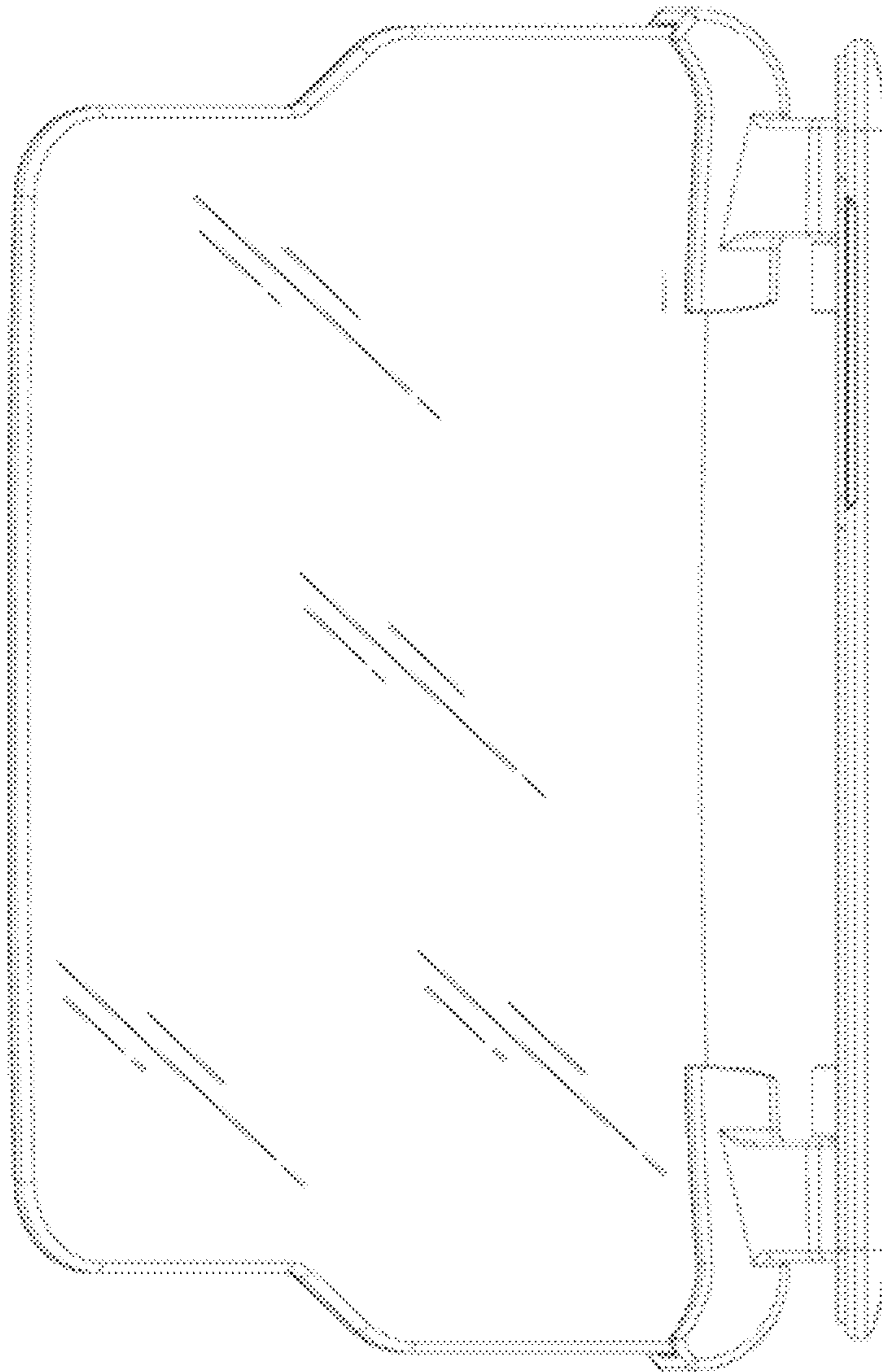


FIG. 9

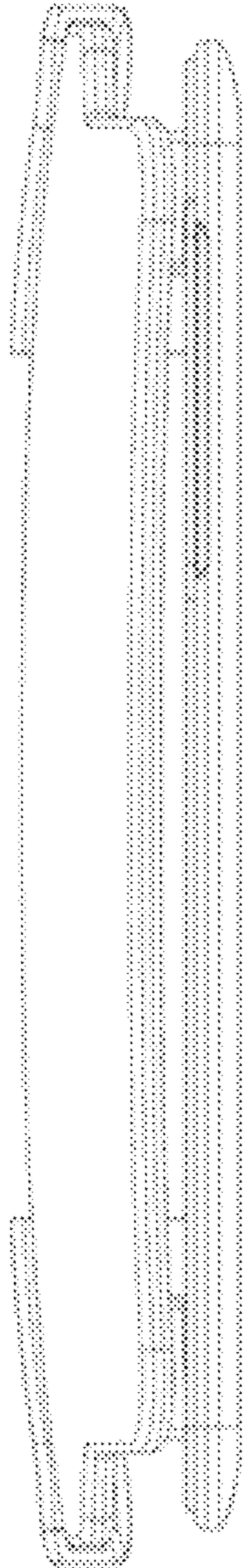


FIG. 10

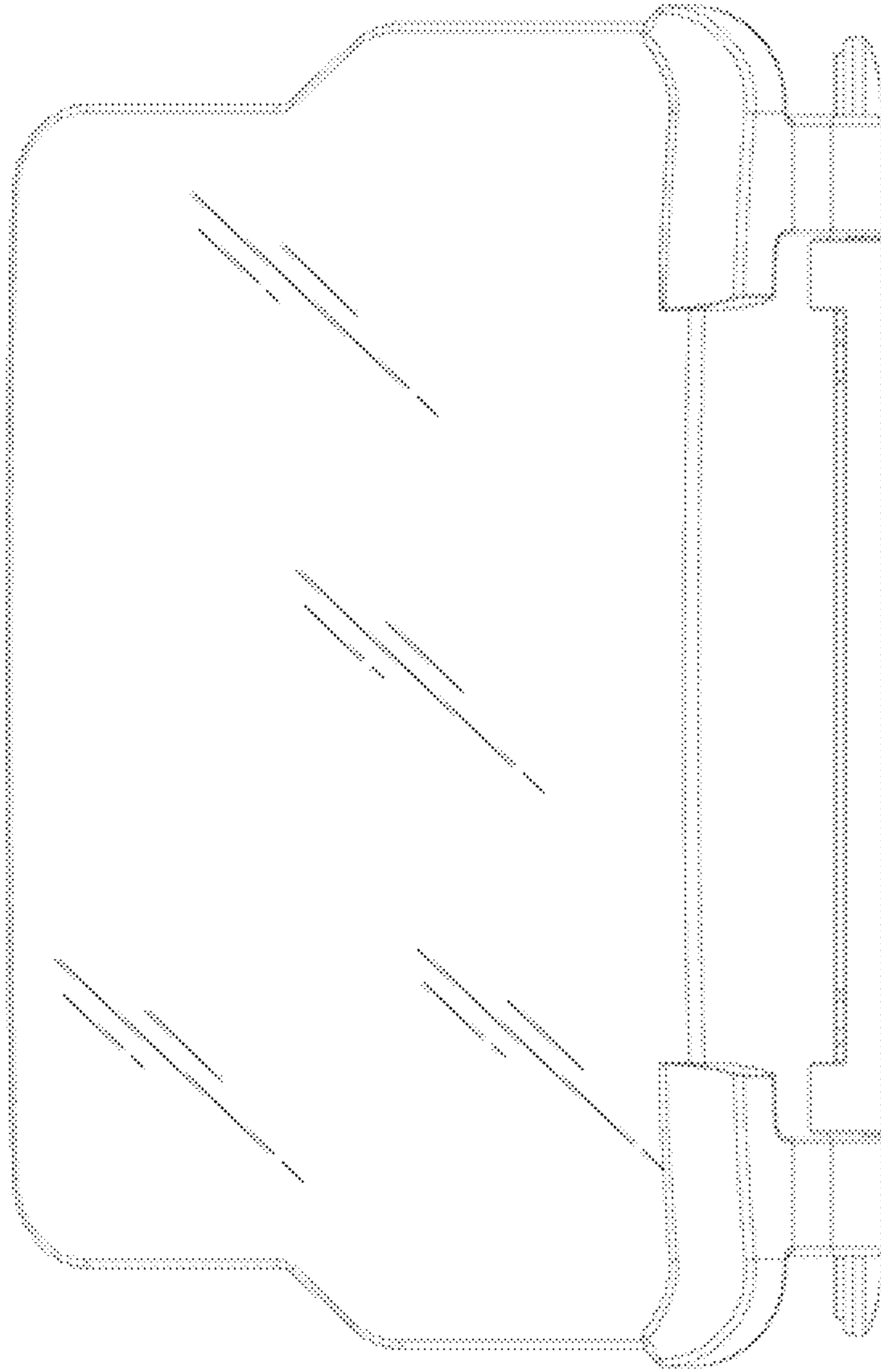


FIG. 11

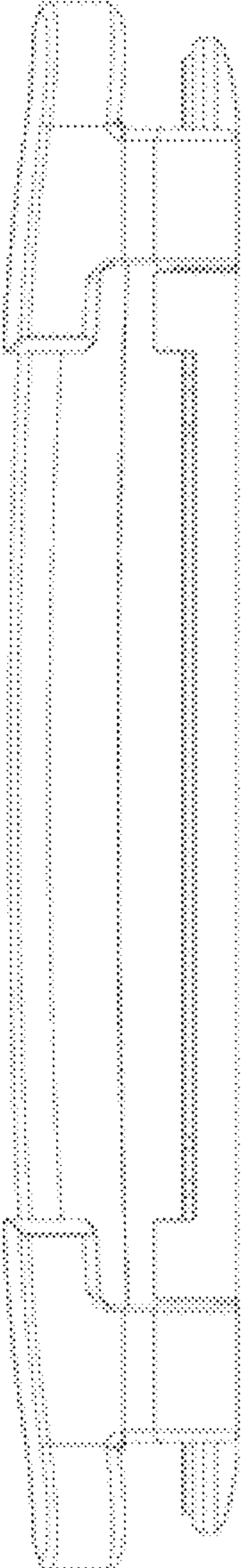


FIG. 12

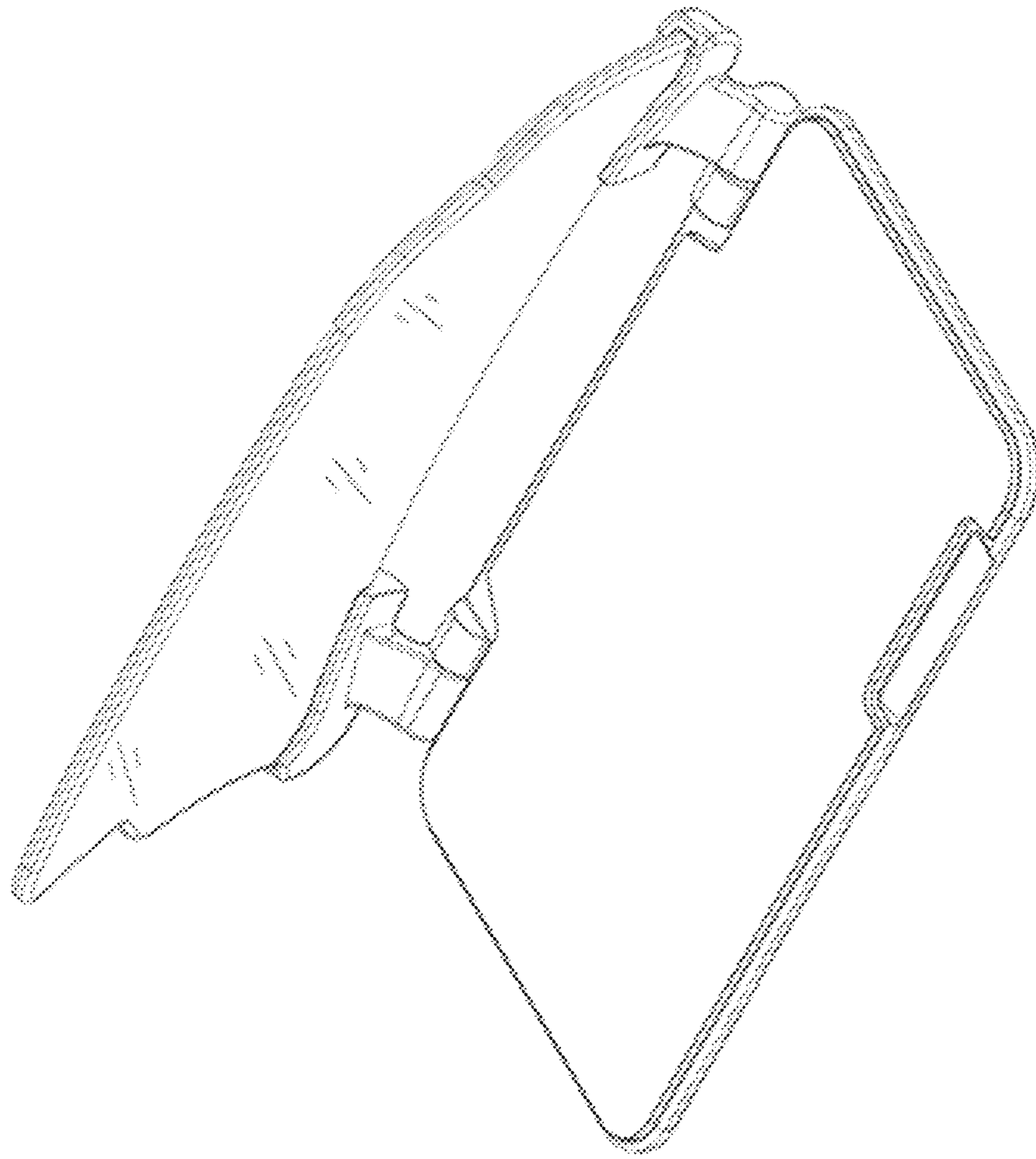


FIG. 13

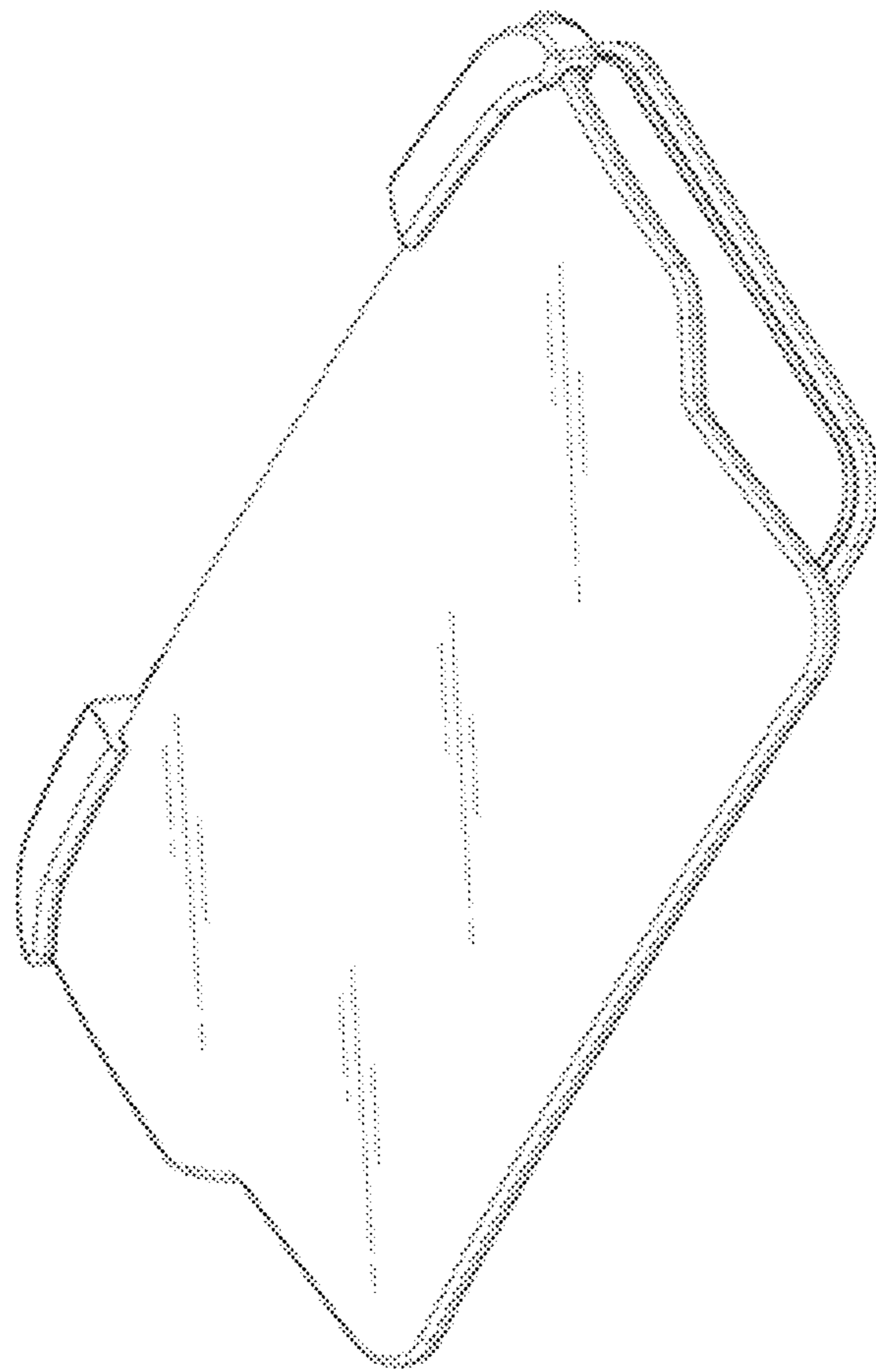


FIG. 14

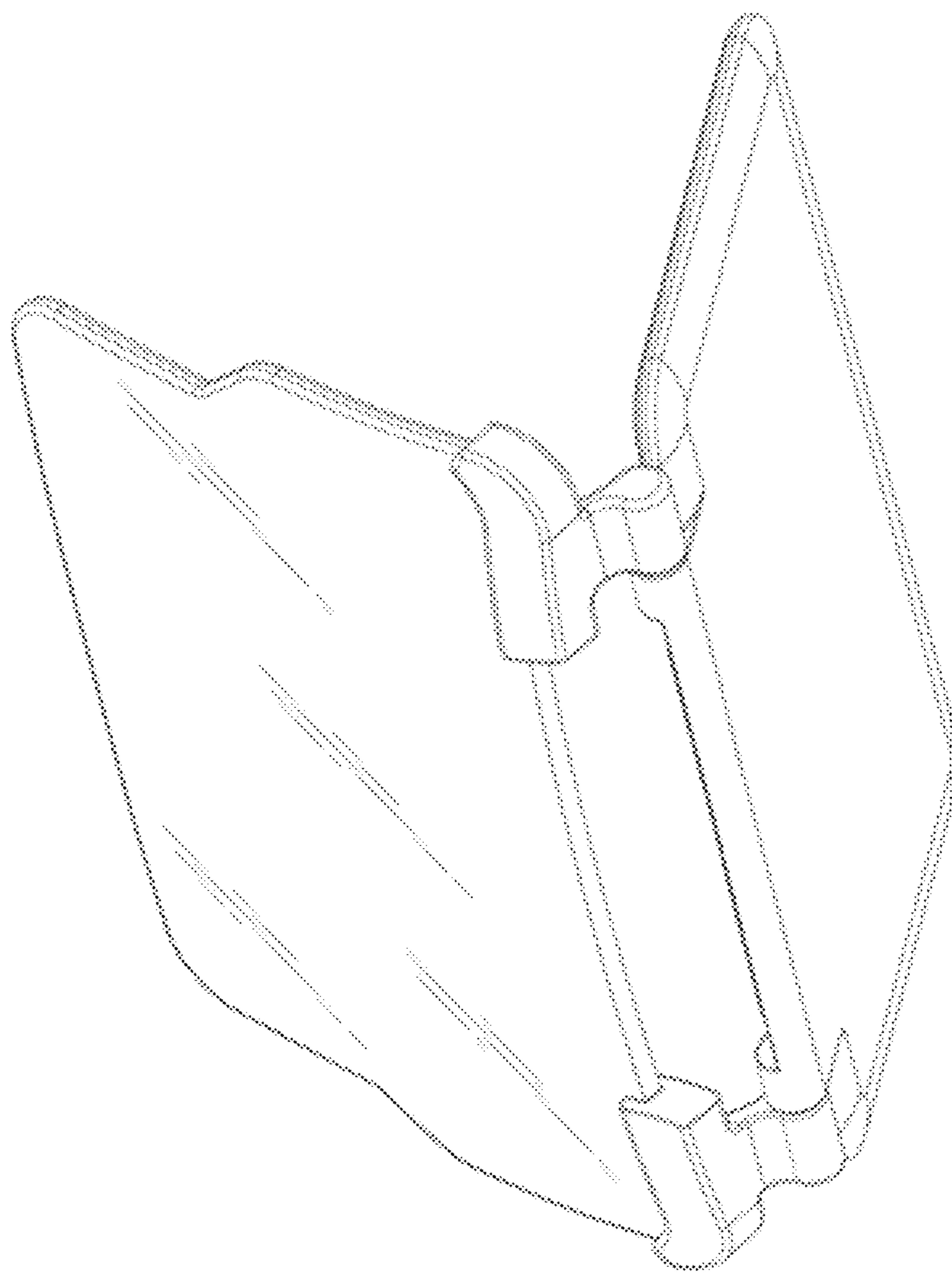


FIG. 15

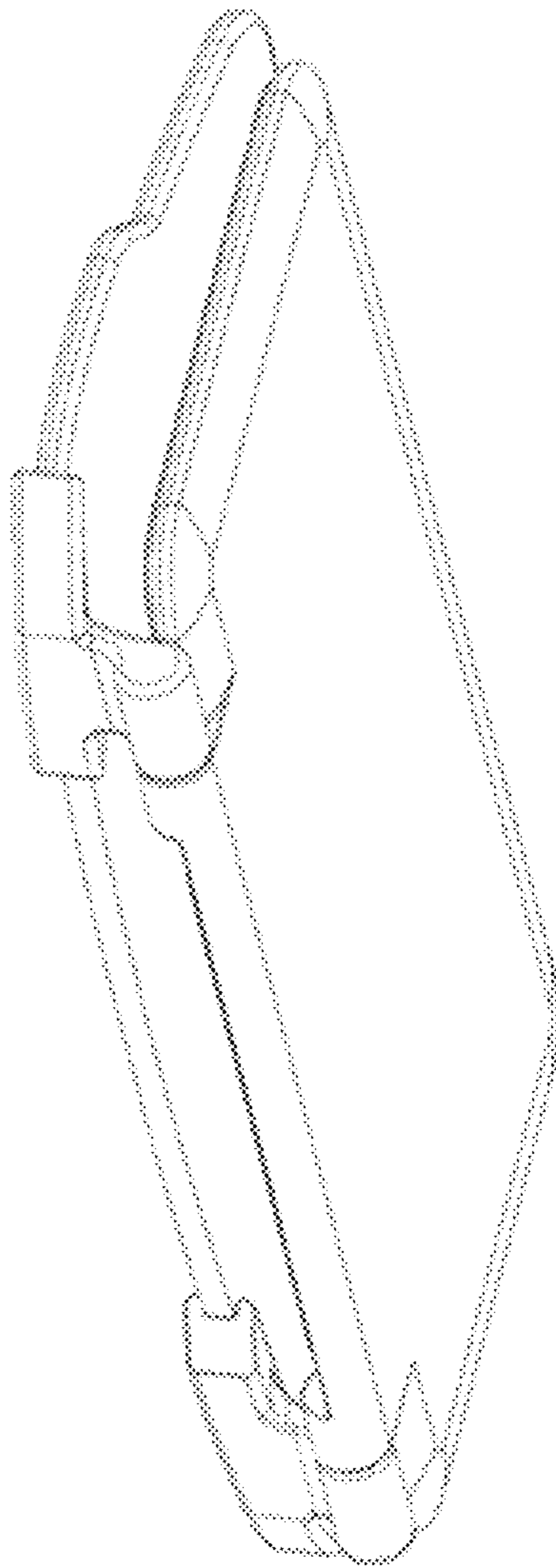


FIG. 16

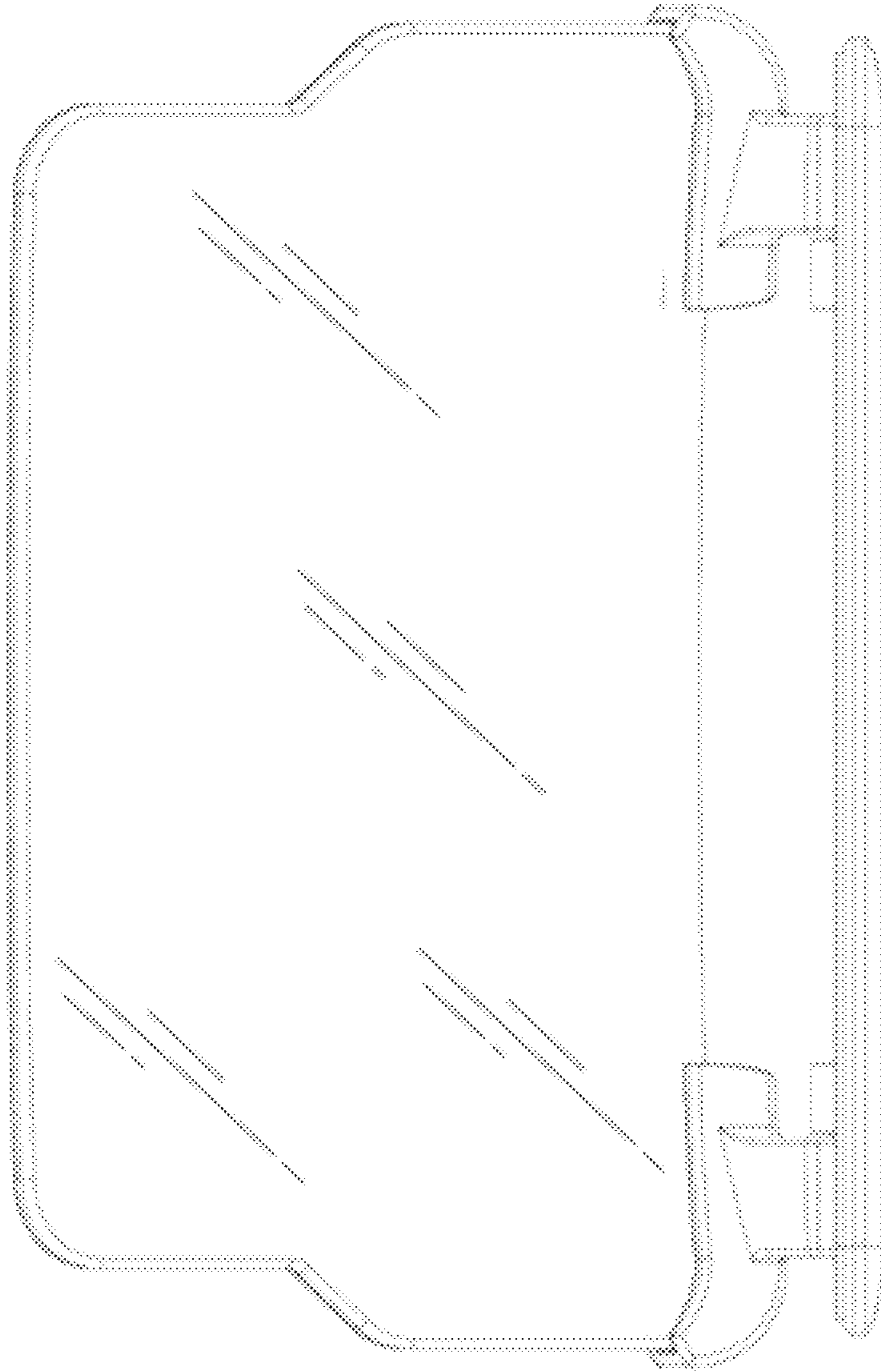


FIG. 17

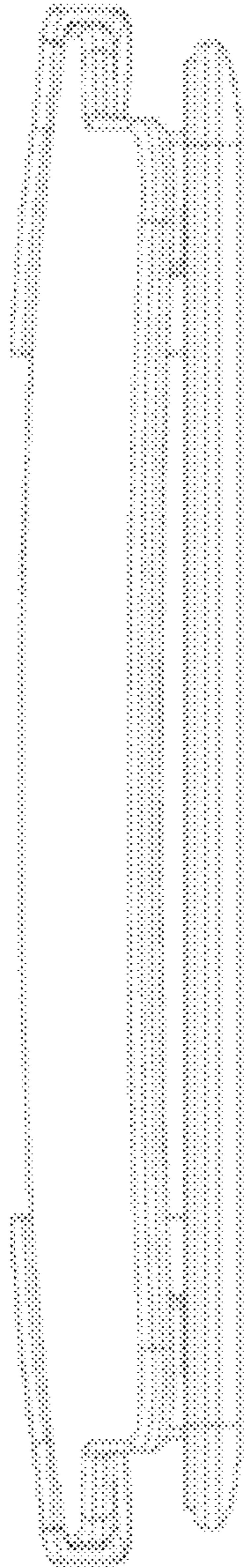


FIG. 18

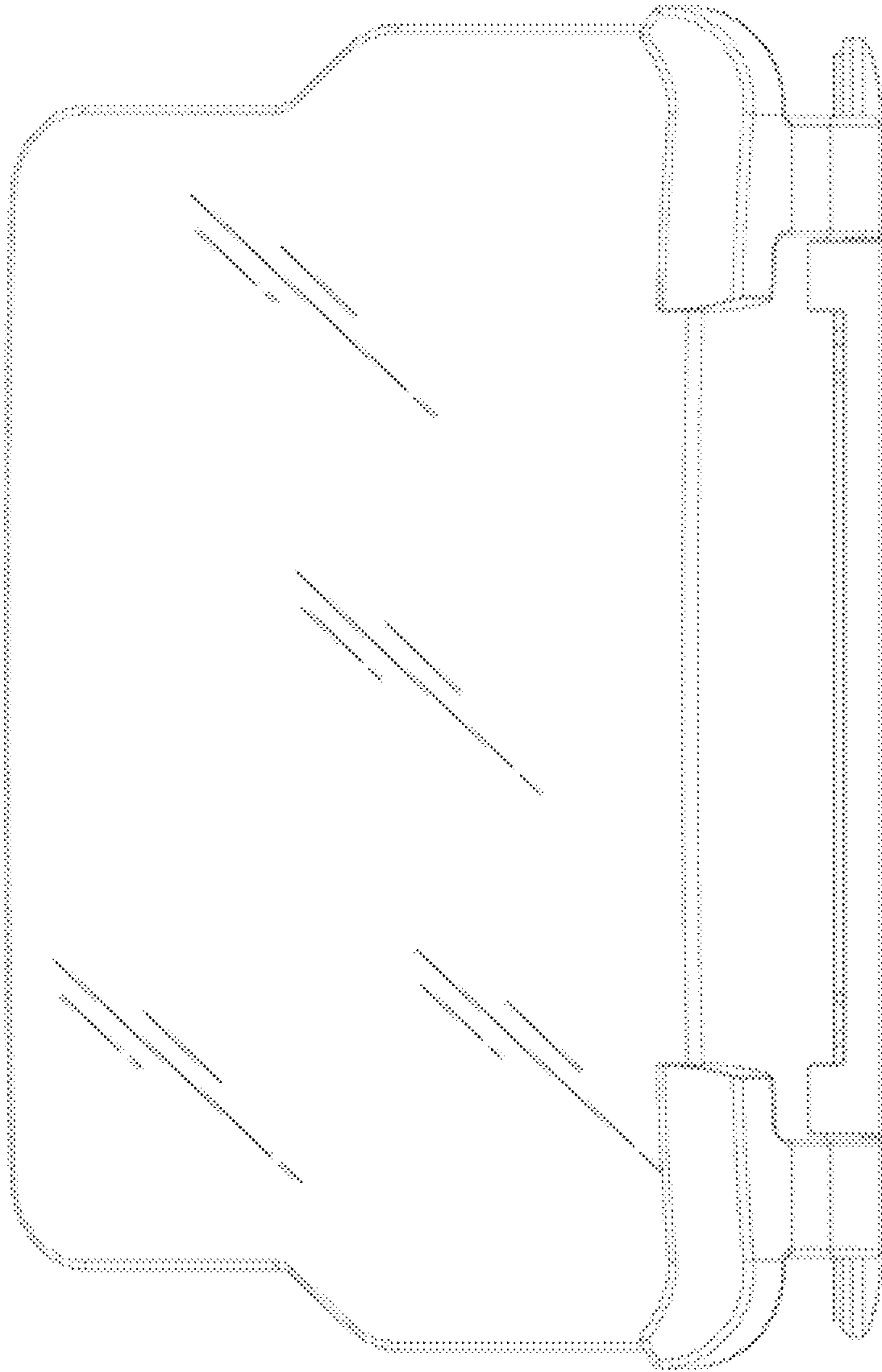


FIG. 19

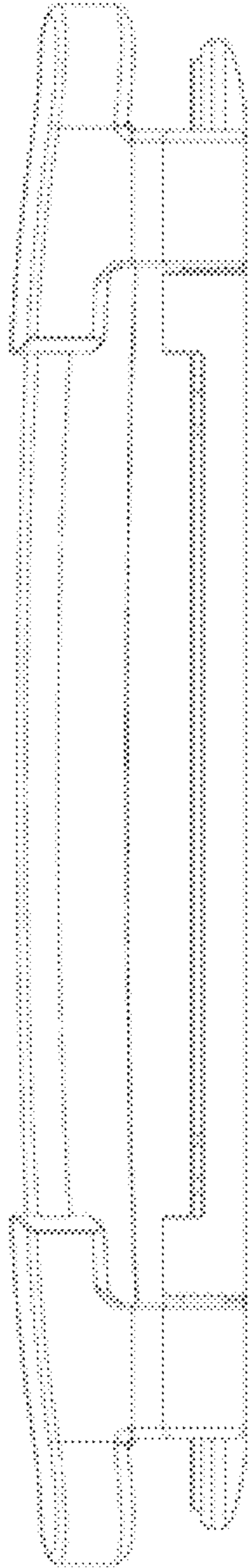


FIG. 20

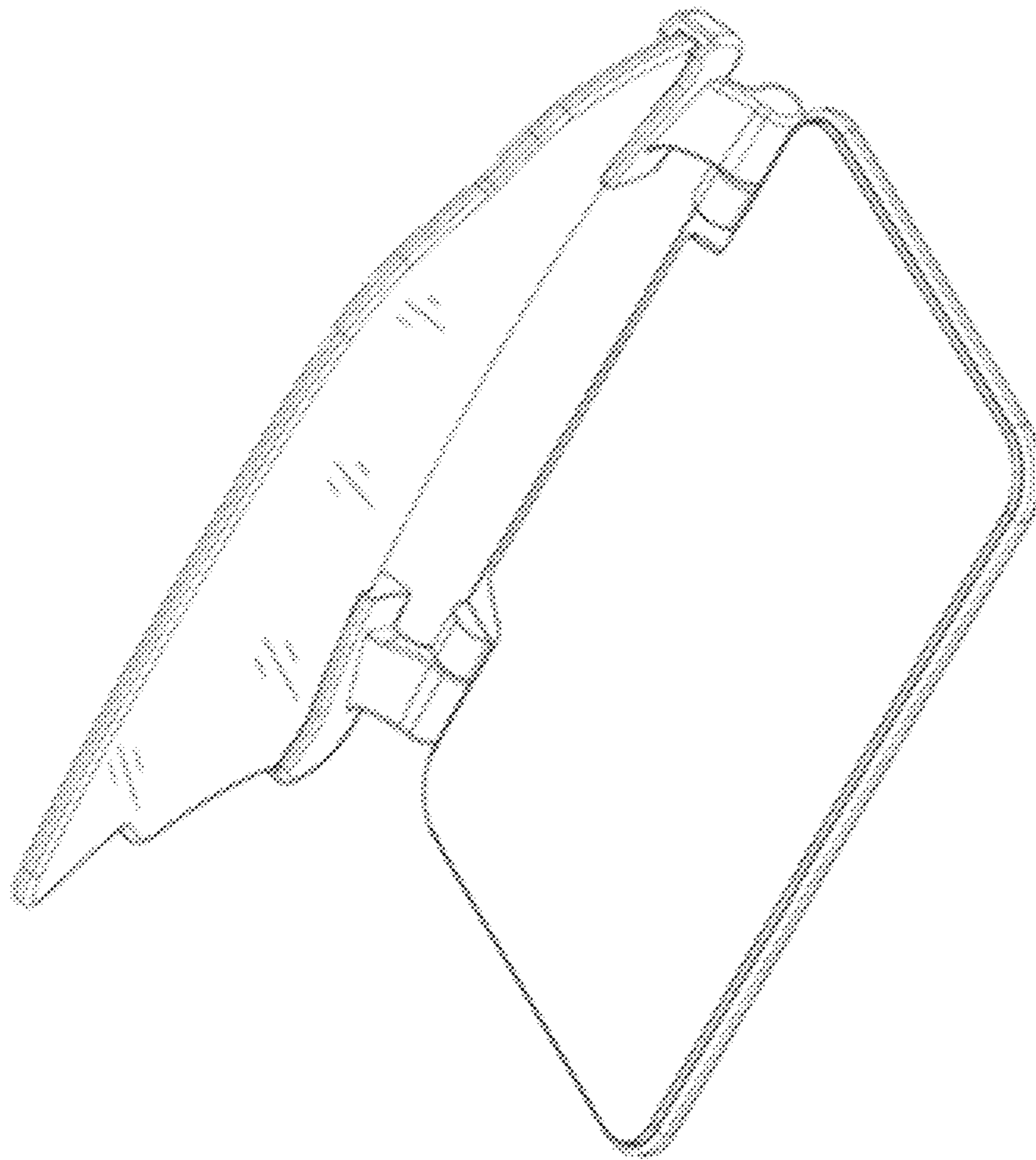


FIG. 21

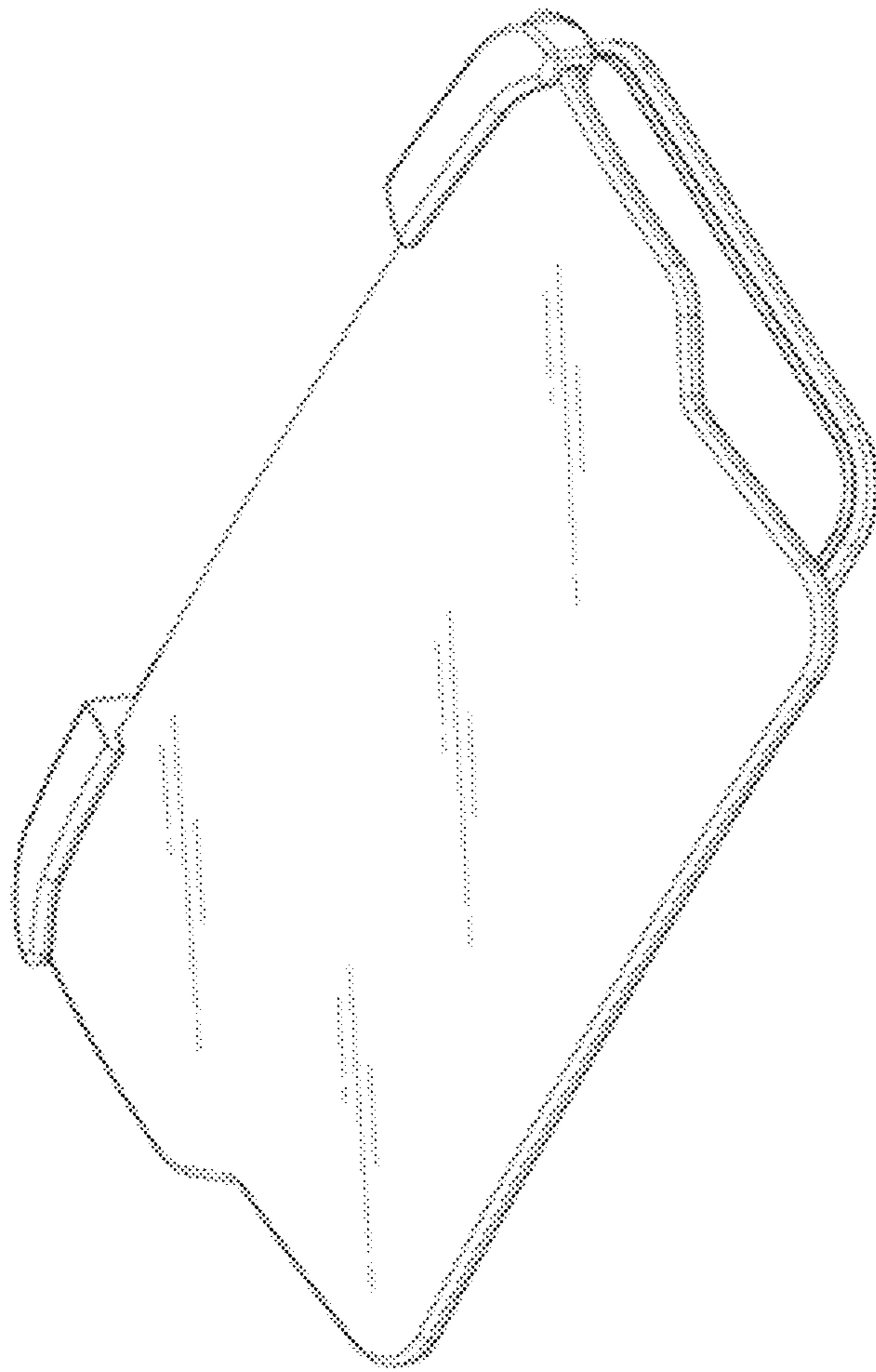


FIG. 22

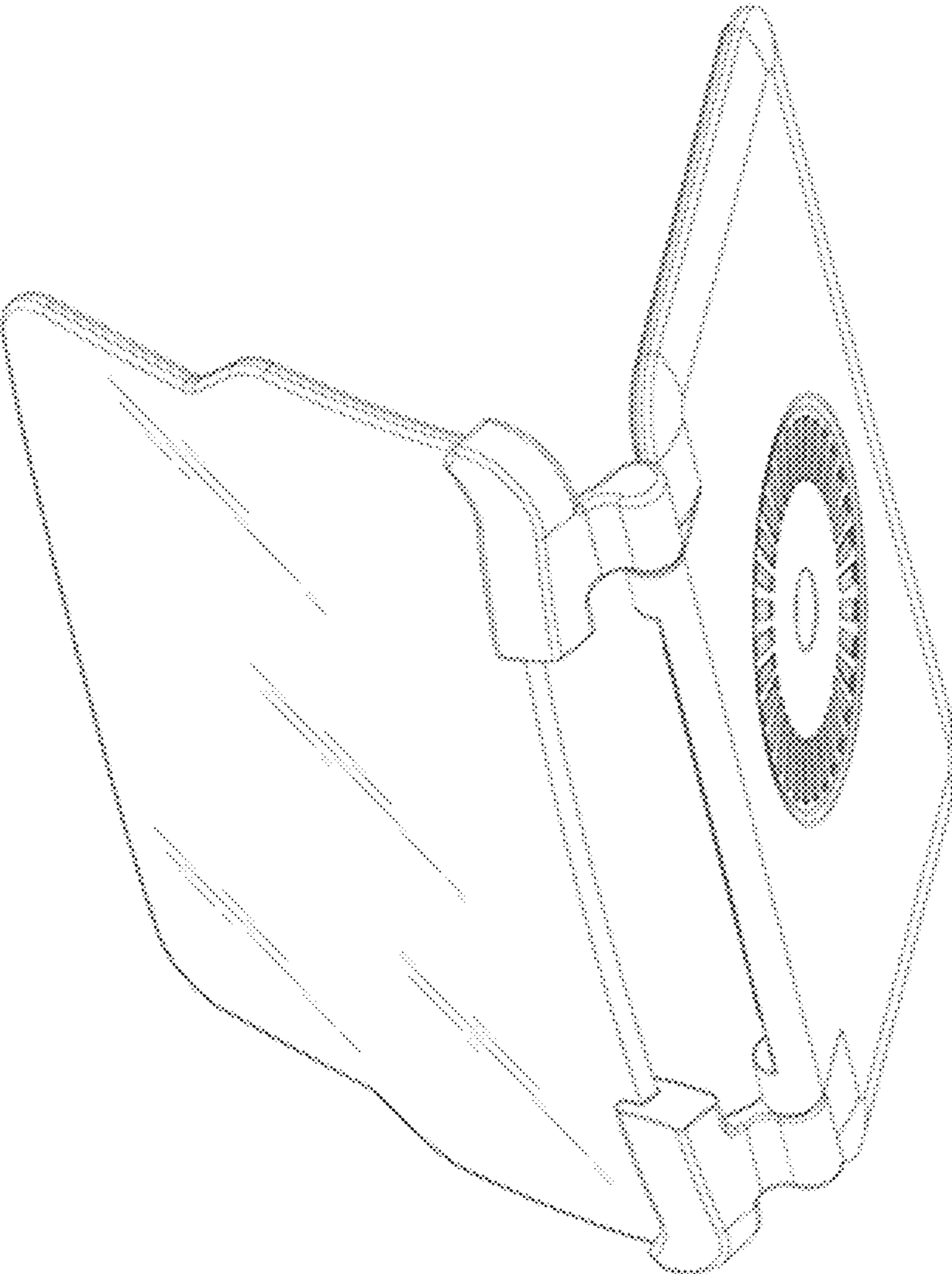


FIG. 23

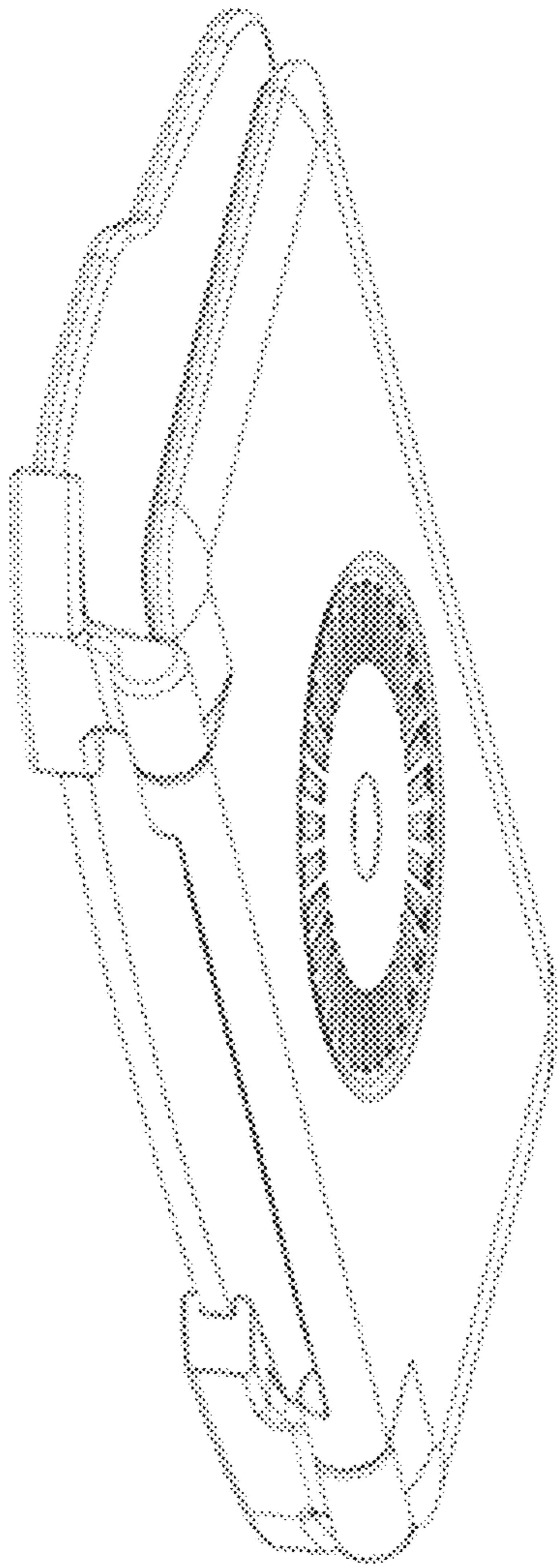


FIG. 24

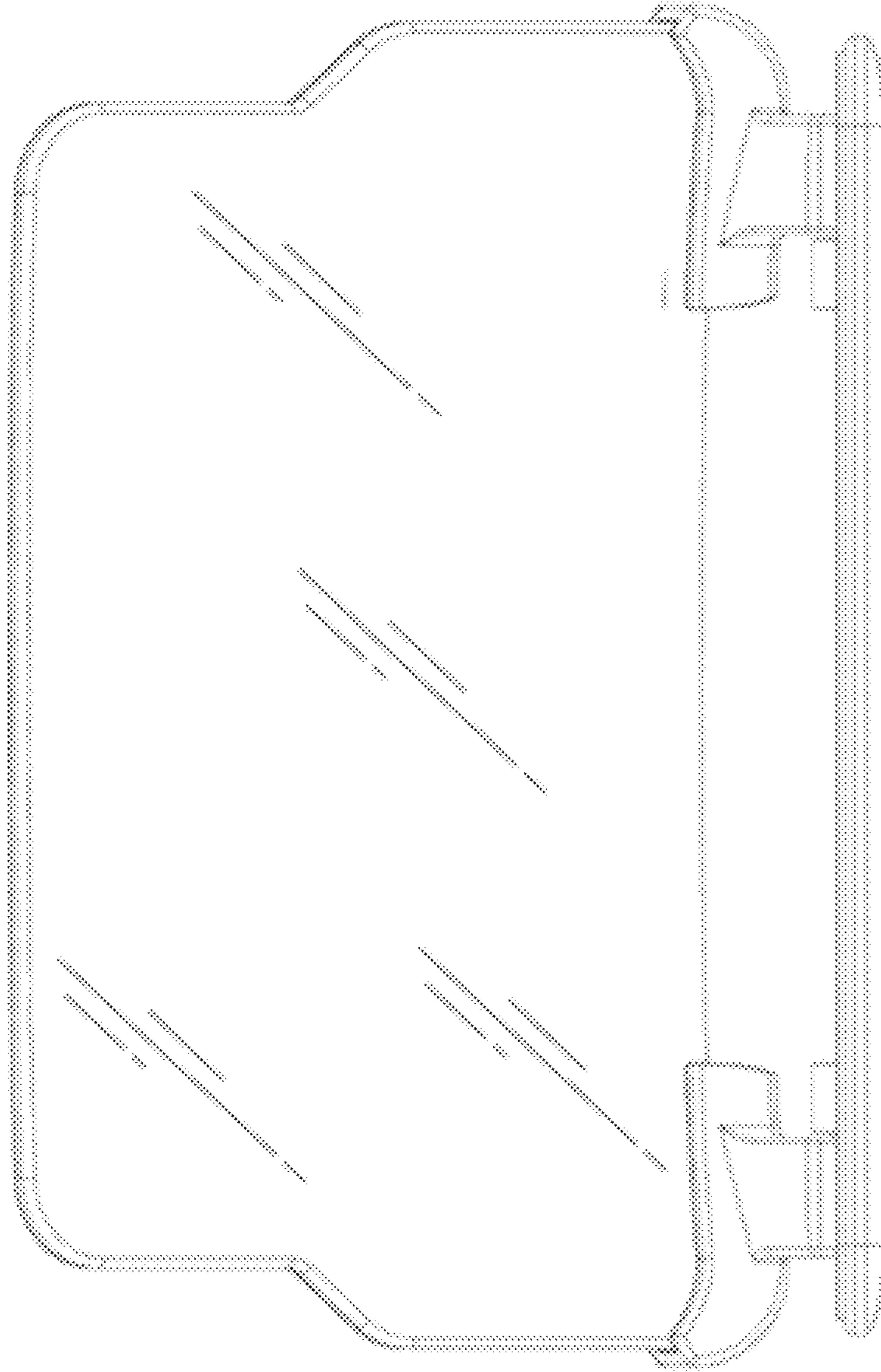


FIG. 25

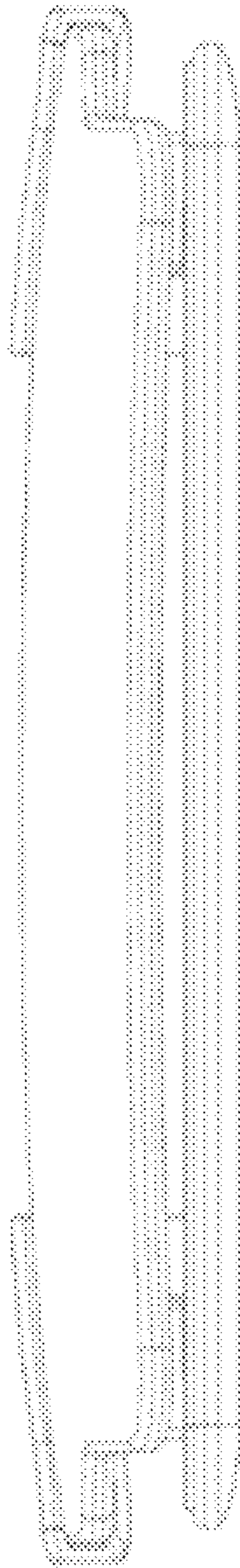


FIG. 26

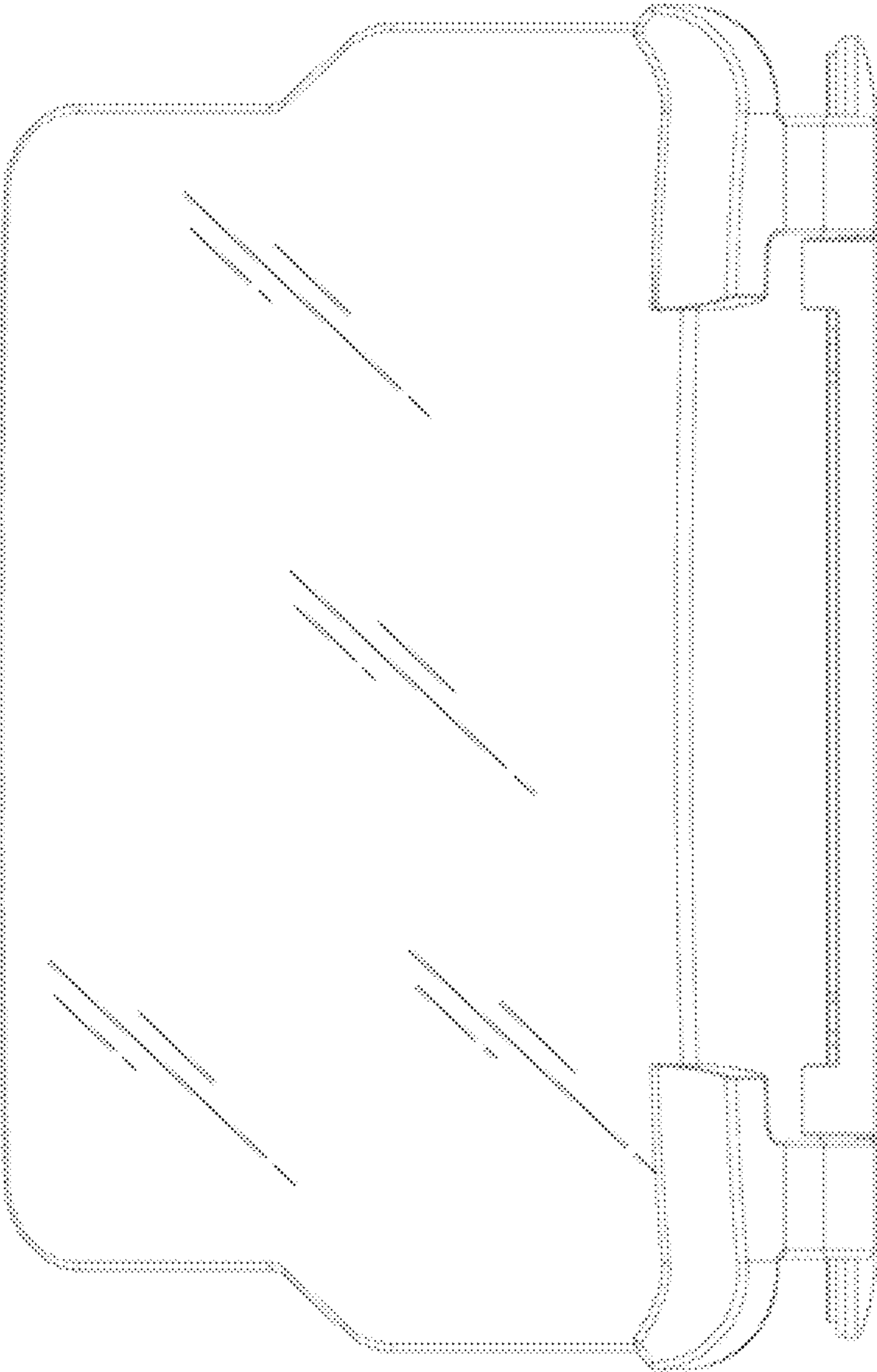


FIG. 27

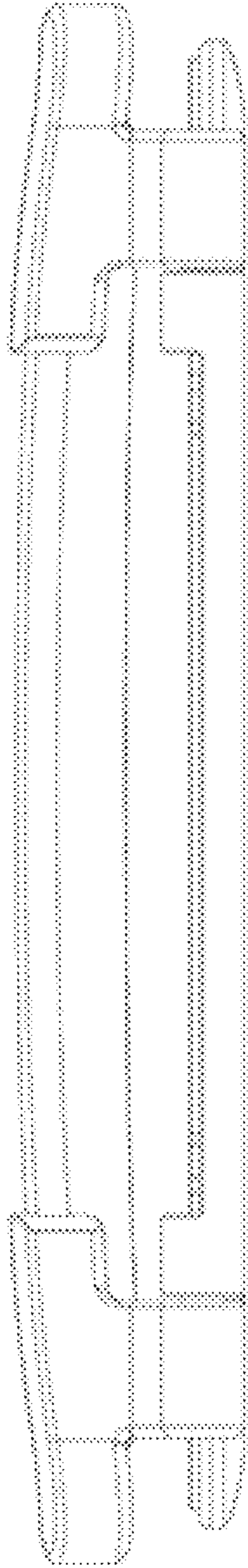


FIG. 28

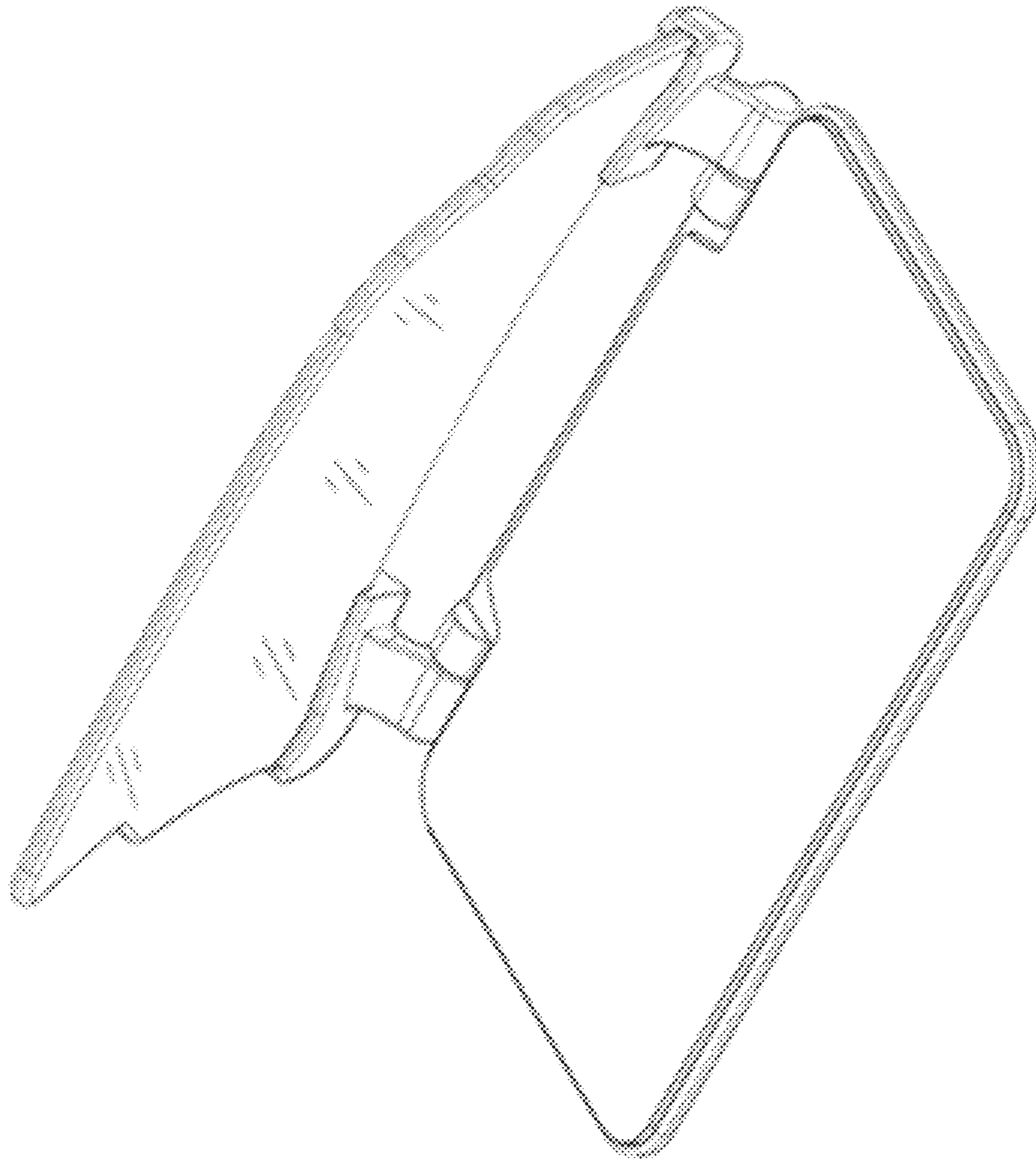


FIG. 29

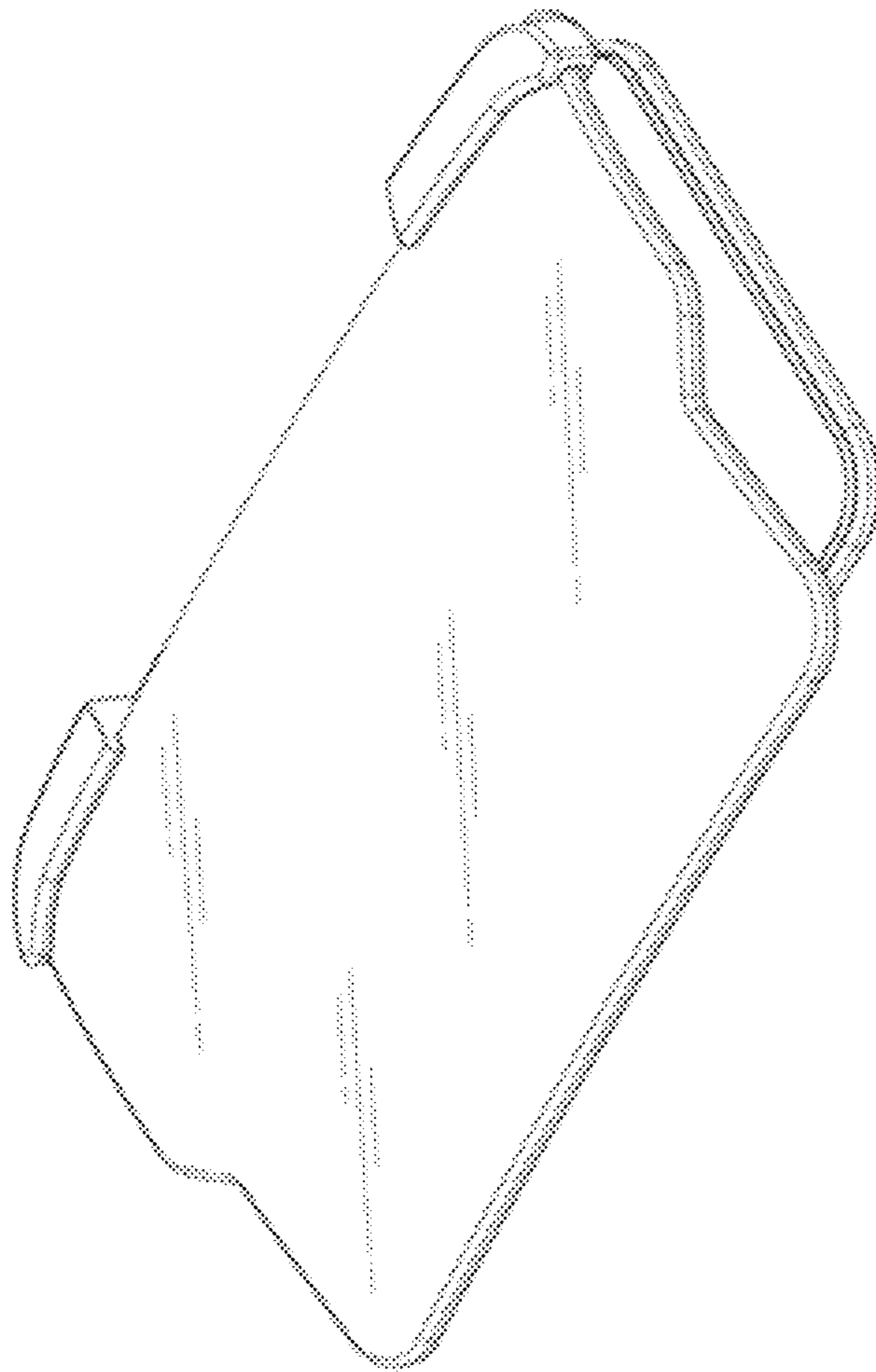


FIG. 30

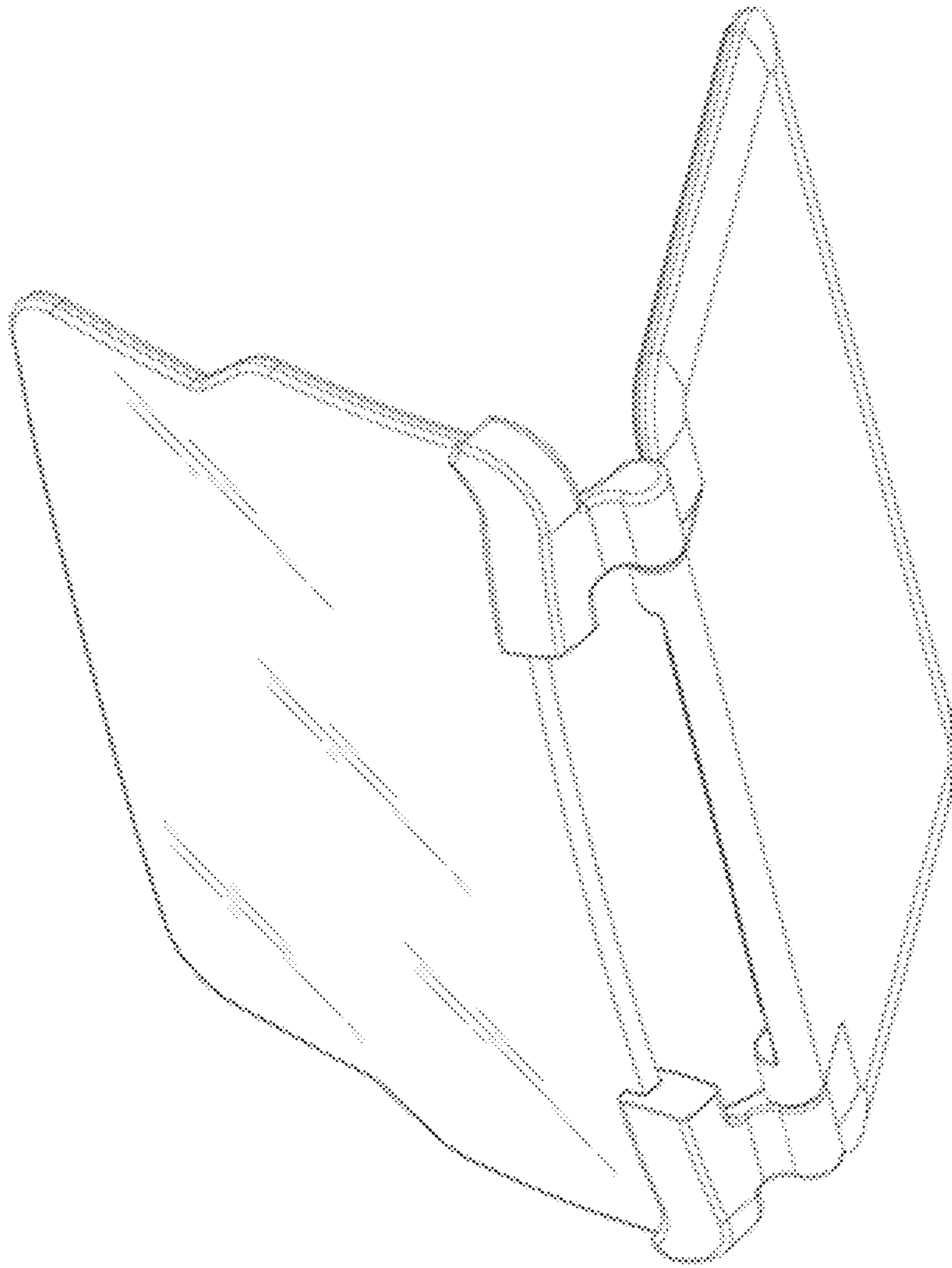


FIG. 31

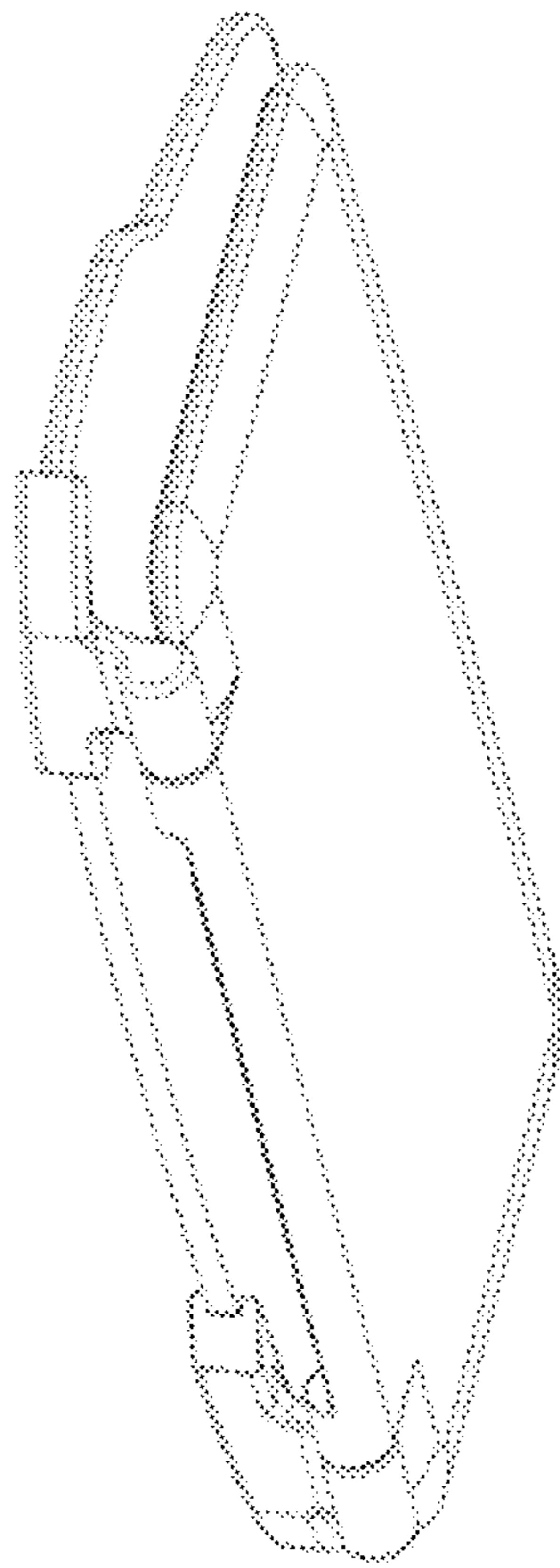


FIG. 32