



US00D786257S

(12) **United States Design Patent** (10) **Patent No.:** **US D786,257 S**
Feldman (45) **Date of Patent:** **** May 9, 2017**

(54) **LAPTOP SLEEVE**
(71) Applicant: **CardBuddy, LLC**, Owings Mills, MD (US)
(72) Inventor: **Sam Feldman**, Owings Mills, MD (US)
(73) Assignee: **CARDBUDDY, LLC**, Owings Mills, MD (US)

D591,508 S 5/2009 Lown et al.
D594,659 S 6/2009 Lown et al.
D611,253 S * 3/2010 Lown D3/301
D624,318 S 9/2010 Williams et al.
D641,756 S 7/2011 Hsieh et al.
D643,433 S 8/2011 Hsieh et al.
D645,251 S * 9/2011 Lee D3/301
(Continued)

(**) Term: **15 Years**
(21) Appl. No.: **29/585,021**

FOREIGN PATENT DOCUMENTS
GB 2397512 A 7/2004

(22) Filed: **Nov. 18, 2016**
(51) **LOC (10) Cl.** **14-02**
(52) **U.S. Cl.**
USPC **D14/440**
(58) **Field of Classification Search**
USPC D14/440, 250, 447; D3/299; 206/45.23,
206/320, 45.2; 361/679.55; 294/25;
224/218; D9/414
CPC G06F 1/1628; G06F 1/1667; G06F 1/1626;
A47B 23/044; H04B 1/3888; A45C 11/00
See application file for complete search history.

OTHER PUBLICATIONS
Zizo For—LG K7 Flip Window Phone Case w/ TPU Inside Black, Jet, jet.com, accessed: Oct. 2016. <https://jet.com/product/detail/30a6f8546623484fa17638f03707de5a> Disclosing a soft cellphone case with window in face (Image is not displayed on the file).
(Continued)

Primary Examiner — Cynthia Underwood
(74) *Attorney, Agent, or Firm* — Berenato & White, LLC

(57) **CLAIM**
The ornamental design for a laptop sleeve, as shown and described.

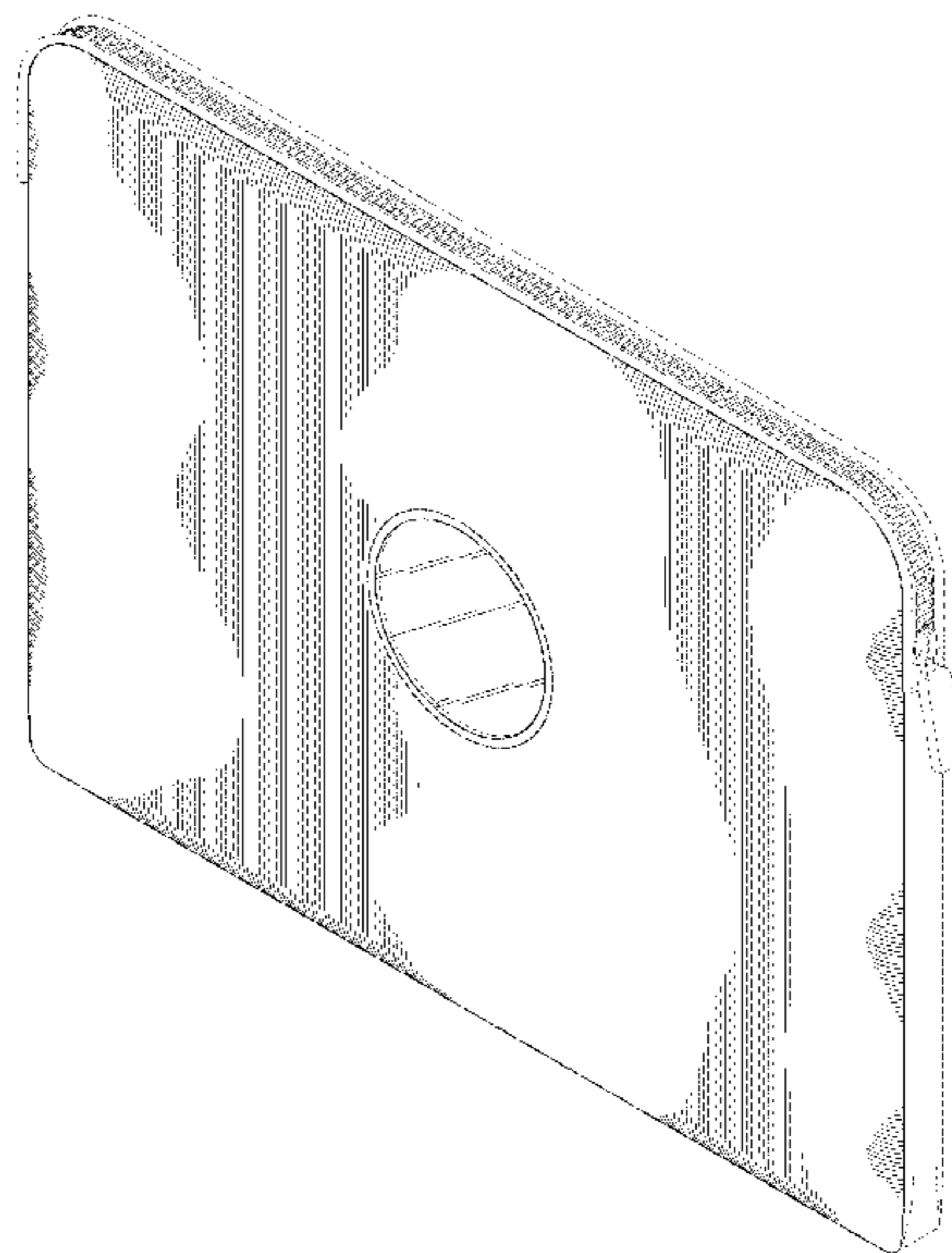
(56) **References Cited**
U.S. PATENT DOCUMENTS

D247,655 S 3/1978 Koffler
4,141,401 A 2/1979 Hindemit
5,639,004 A 6/1997 Carlton et al.
D388,250 S 12/1997 Robinson et al.
D390,357 S 2/1998 Rosen
D407,432 S 3/1999 Tell
5,887,777 A 3/1999 Myles et al.
D425,303 S 5/2000 Klonowski
6,149,001 A 11/2000 Akins
D435,340 S 12/2000 Kojoori
6,772,883 B2 8/2004 Lindamood
6,896,134 B2 5/2005 Russell et al.
D557,897 S 12/2007 Richardson et al.
D581,669 S 12/2008 Sween et al.

DESCRIPTION

FIG. 1 is a front perspective view of laptop sleeve;
FIG. 2 is a rear perspective view thereof;
FIG. 3 is a front view thereof;
FIG. 4 is a rear view thereof;
FIG. 5 is a left-side view thereof;
FIG. 6 is a right-side view thereof;
FIG. 7 is a top view thereof; and,
FIG. 8 is a bottom view thereof.
The broken lines in the figures show portions of the laptop sleeve that form no part of the claim, including the zipper on the top that is visible in FIGS. 1, 2 and 5-7.

1 Claim, 6 Drawing Sheets



(56)

References Cited

U.S. PATENT DOCUMENTS

D672,353 S * 12/2012 Liu D14/440
 D673,159 S 12/2012 McCarthy et al.
 D676,448 S * 2/2013 Gorman D14/440
 D681,951 S * 5/2013 Phillips D3/299
 D696,864 S * 1/2014 Phillips D3/299
 D696,865 S 1/2014 Morszeck
 D709,509 S * 7/2014 Kim D14/440
 D715,052 S * 10/2014 Fair D3/301
 8,931,635 B2 1/2015 Bell
 D729,252 S * 5/2015 Smith D14/440
 D742,385 S 11/2015 Chaney
 D743,170 S * 11/2015 Akana D3/299
 D768,378 S 10/2016 Schilp
 2009/0288925 A1 11/2009 Hess et al.
 2010/0006384 A1 1/2010 Napolitano et al.
 2010/0230301 A1* 9/2010 Fellig H04B 1/3888
 206/232
 2012/0018266 A1 1/2012 Ziv et al.
 2013/0206527 A1 8/2013 Von Furstenberg
 2013/0221048 A1 8/2013 Revels et al.
 2014/0001079 A1 1/2014 Green

OTHER PUBLICATIONS

Belkin 15.4 inch Laptop Sleeve with window, lavender and grey, Gwynedd Gadgets, gwyneddgadgets.co.uk, accessed: Oct. 2016. http://web.archive.org/web/20110918204818/http://www.gwyneddgadgets.co.uk/index.php?main_page=product_info&cPath=72_114&products_id=407 Disclosing window in zippered sleeve (picture on 1st Page).
 Belkin F8N062DGLDL 15.inch Neoprene Window Notebook Sleeve Monument/Clearwat, Kmart, kmart.com, Item # SPM912145001, Model # 89243H, accessed: Oct. 2016. <http://www.kmart.com/belkin-f8n062-dgl-dl-15.4-inch-neoprene-window/p-SPM912145001?plpSellerId=Focus%20Camera&prdNo=12&blockNo=12&blockType=G12> Disclosing window in zippered sleeve (picture on 1st Page).
 Cummings, Tucker, "Top 25 Best HTC One M9 Cases," Heavy, heavy.com, Jul. 1, 2015. <http://heavy.com/tech/2015/04/top-best-htc-one-m9-cases/> Disclosing full window in electronics case (No. 11 ivencase View Window Flip Folio HTC One M9 Case).
 Rugged Laptop Case (Review), Lost and Farm, lostandfarm.wordpress.com, Mar. 23, 2016. <https://lostandfarm.wordpress.com/2016/03/23/ruggedlaptopcasereview/> Disclosing a window pocket in a laptop case (the 3rd to 6th Pages).

* cited by examiner

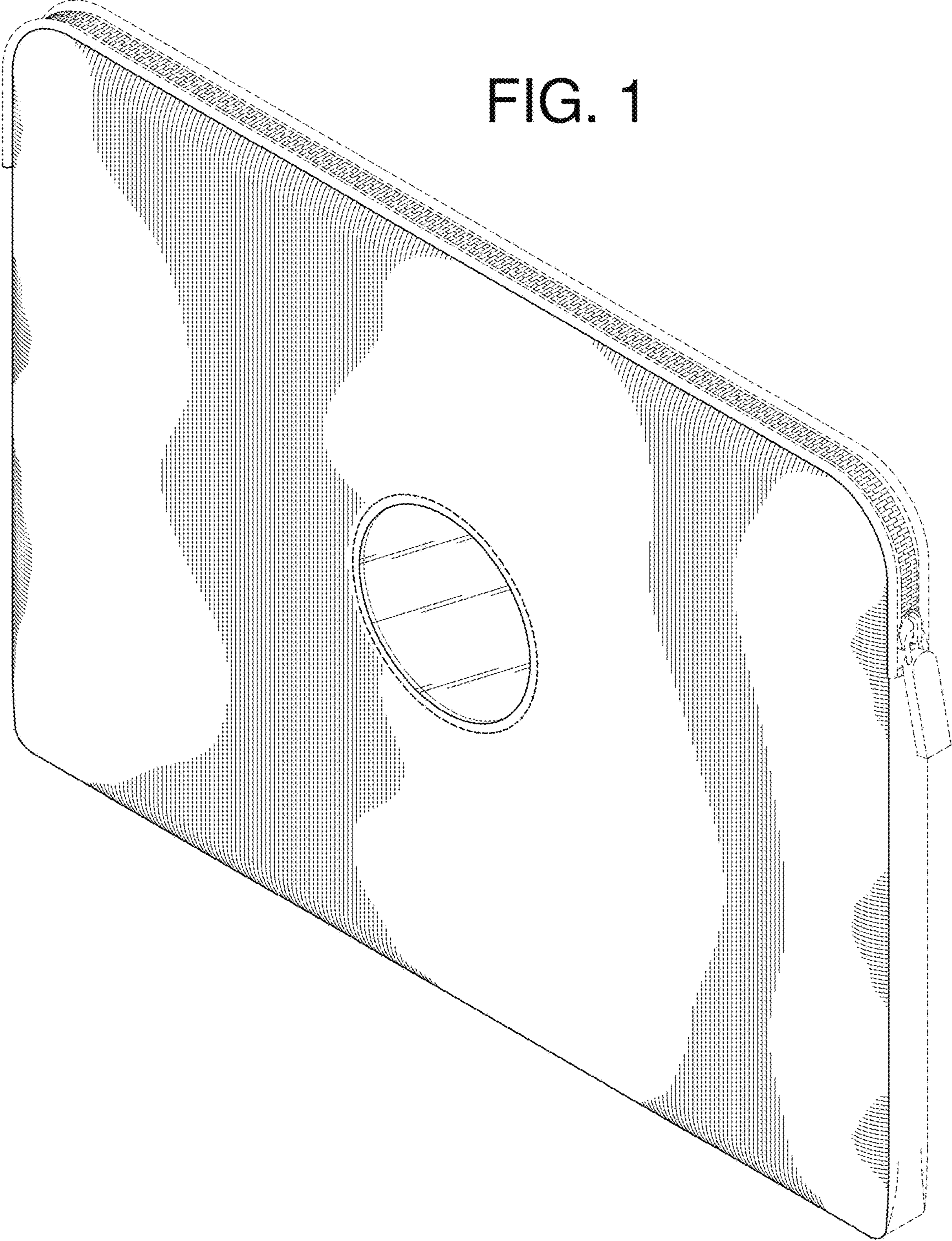


FIG. 1

FIG. 2

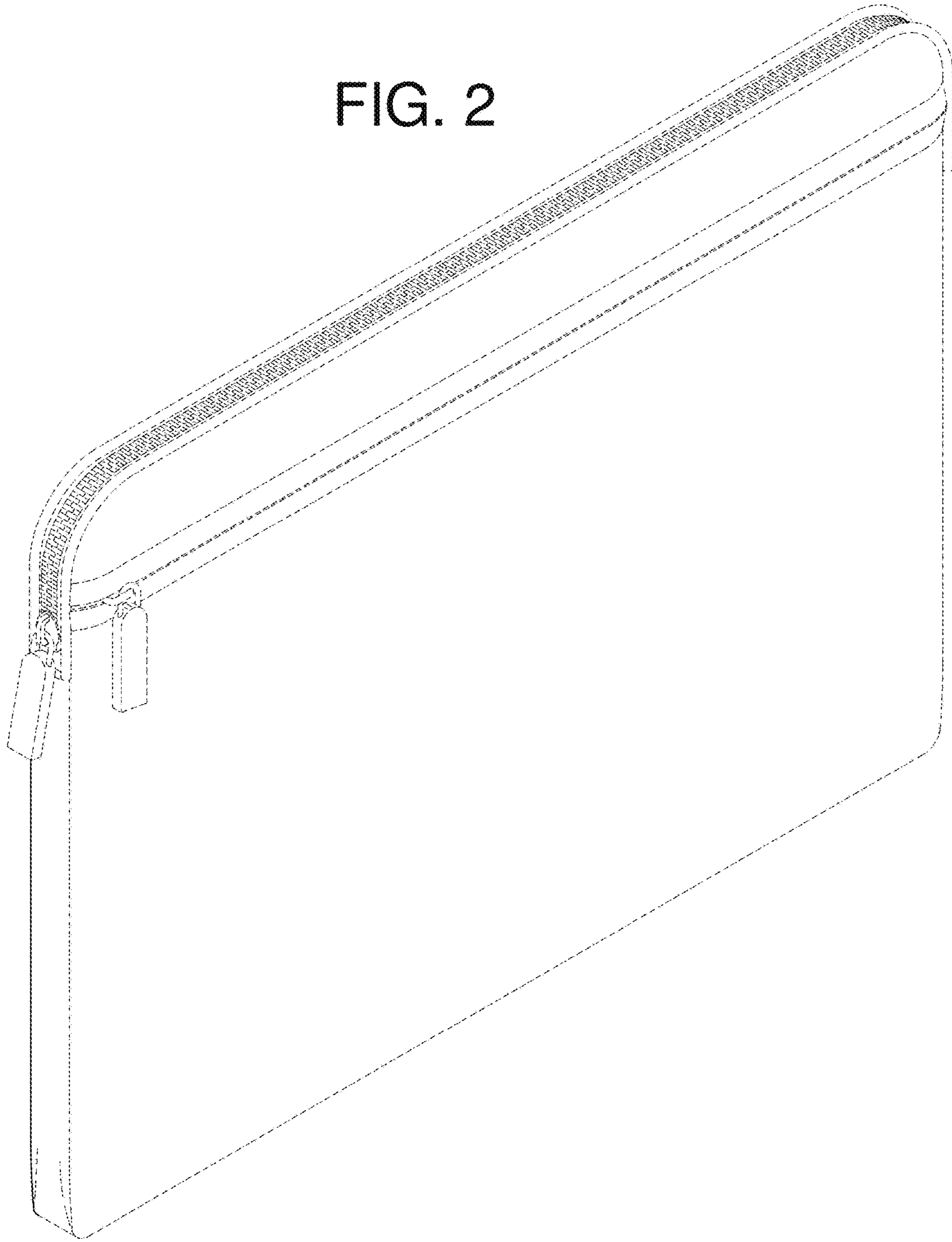


FIG. 3

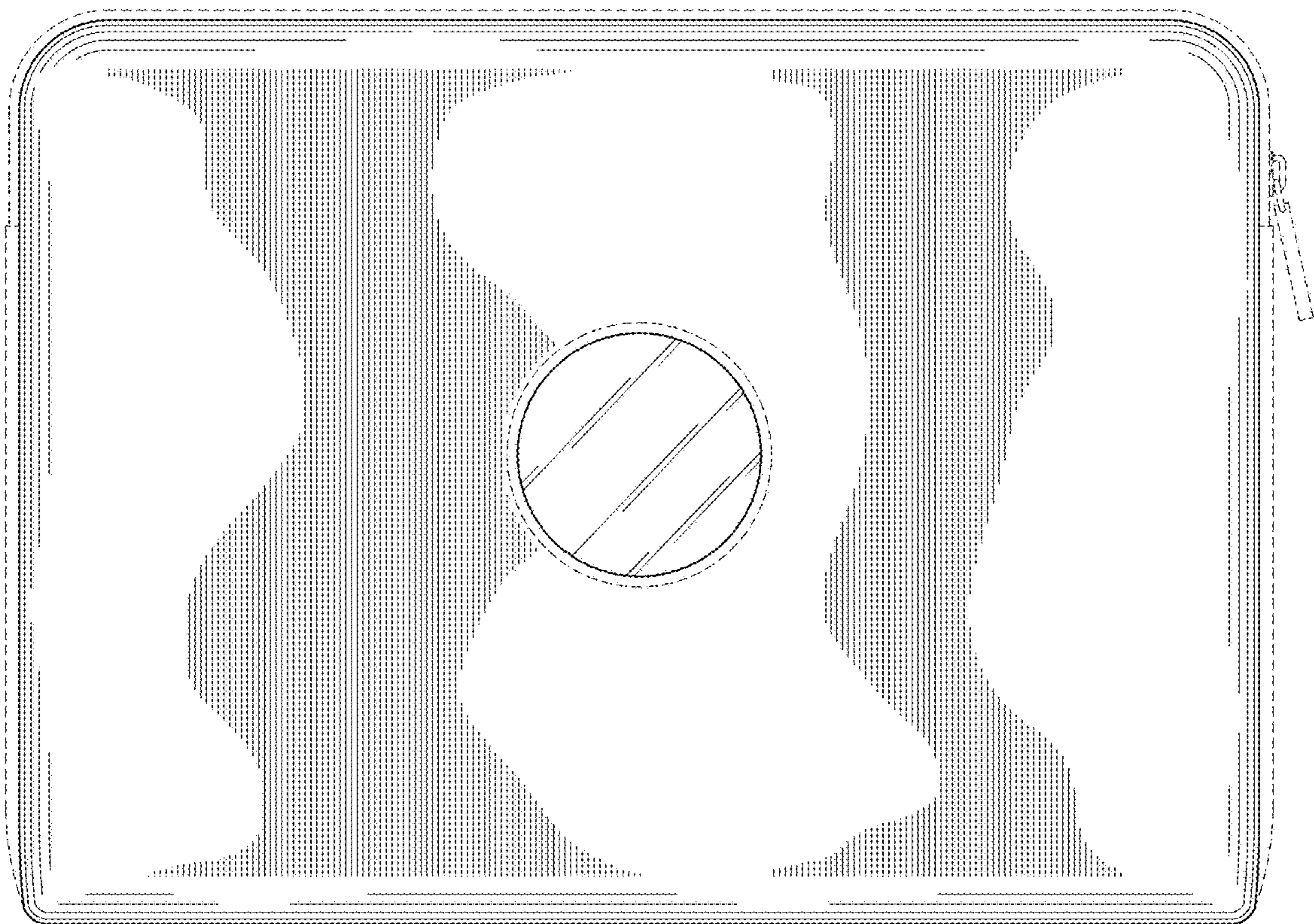


FIG. 4



FIG. 5

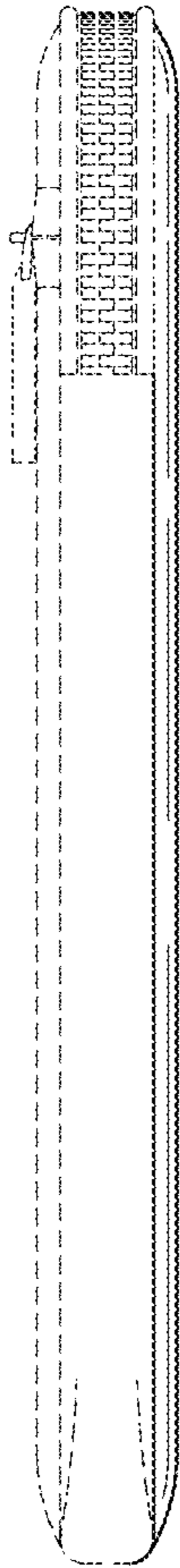


FIG. 6

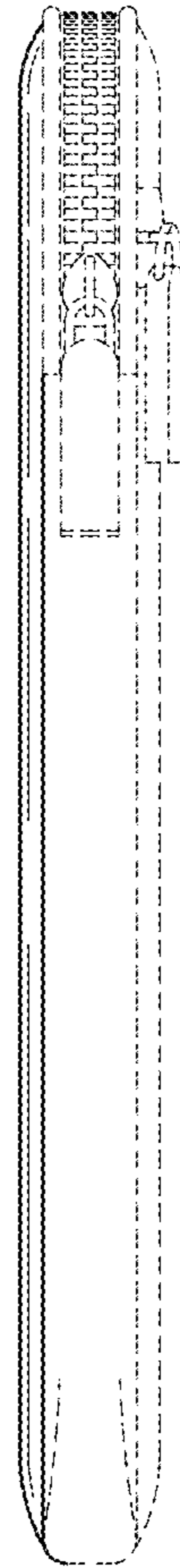


FIG. 7

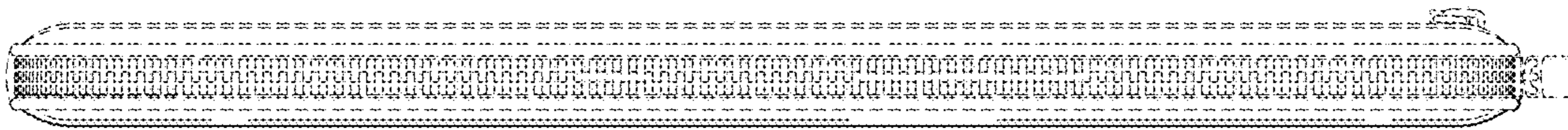


FIG. 8

