



US00D786255S

(12) **United States Design Patent**
Kaminaga

(10) **Patent No.:** **US D786,255 S**

(45) **Date of Patent:** **** May 9, 2017**

(54) **ADAPTER FOR MOUNTING OPTICAL EQUIPMENT TO MOBILE COMPUTER**

(71) Applicant: **MICROSCOPE NETWORK CO., LTD.**, Kawaguchi-shi, Saitama (JP)

(72) Inventor: **Ryohei Kaminaga**, Kawaguchi (JP)

(73) Assignee: **MICROSCOPE NETWORK CO., LTD.**, Saitama (JP)

(**) Term: **15 Years**

(21) Appl. No.: **29/569,229**

(22) Filed: **Jun. 24, 2016**

(30) **Foreign Application Priority Data**

Dec. 28, 2015 (JP) D2015-029118

(51) **LOC (10) Cl.** **14-02**

(52) **U.S. Cl.**
USPC **D14/433; D16/131**

(58) **Field of Classification Search**
USPC D8/349, 382; D16/130, 134, 136, 219, D16/235, 237; D26/120, 124
CPC H04N 1/00307; G02B 21/0004; G02B 21/0008; G02B 21/0088; G02B 21/20; G02B 21/21; G02B 21/24; G02B 21/362; G02B 21/364; G02B 23/16

See application file for complete search history.

(56) **References Cited**

U.S. PATENT DOCUMENTS

3,545,355 A * 12/1970 Cahall, Jr. G03B 17/48 396/432
3,650,032 A * 3/1972 Kestler A61C 9/002 206/818
3,702,027 A * 11/1972 Marshall A61C 9/002 433/34
3,808,689 A * 5/1974 Spinella A61C 9/002 433/60

3,981,021 A * 9/1976 Beecher G03B 17/48 396/432
4,116,416 A * 9/1978 Segura A61C 9/002 249/54
D329,192 S * 9/1992 Susac D8/349
6,318,912 B1 * 11/2001 Shono G03B 5/04 359/822
D531,888 S * 11/2006 Barnes D8/382
9,289,869 B1 * 3/2016 Lelonek B23Q 3/062
2004/0025362 A1 * 2/2004 Allen B27F 1/12 33/638
2009/0128934 A1 * 5/2009 Plangger G02B 21/362 359/827
2011/0042535 A1 * 2/2011 Cheng F16M 11/041 248/298.1

(Continued)

FOREIGN PATENT DOCUMENTS

JP 2002031765 A * 1/2002

Primary Examiner — Sheryl Lane

Assistant Examiner — Calvin E Vansant

(74) *Attorney, Agent, or Firm* — Cantor Colburn LLP

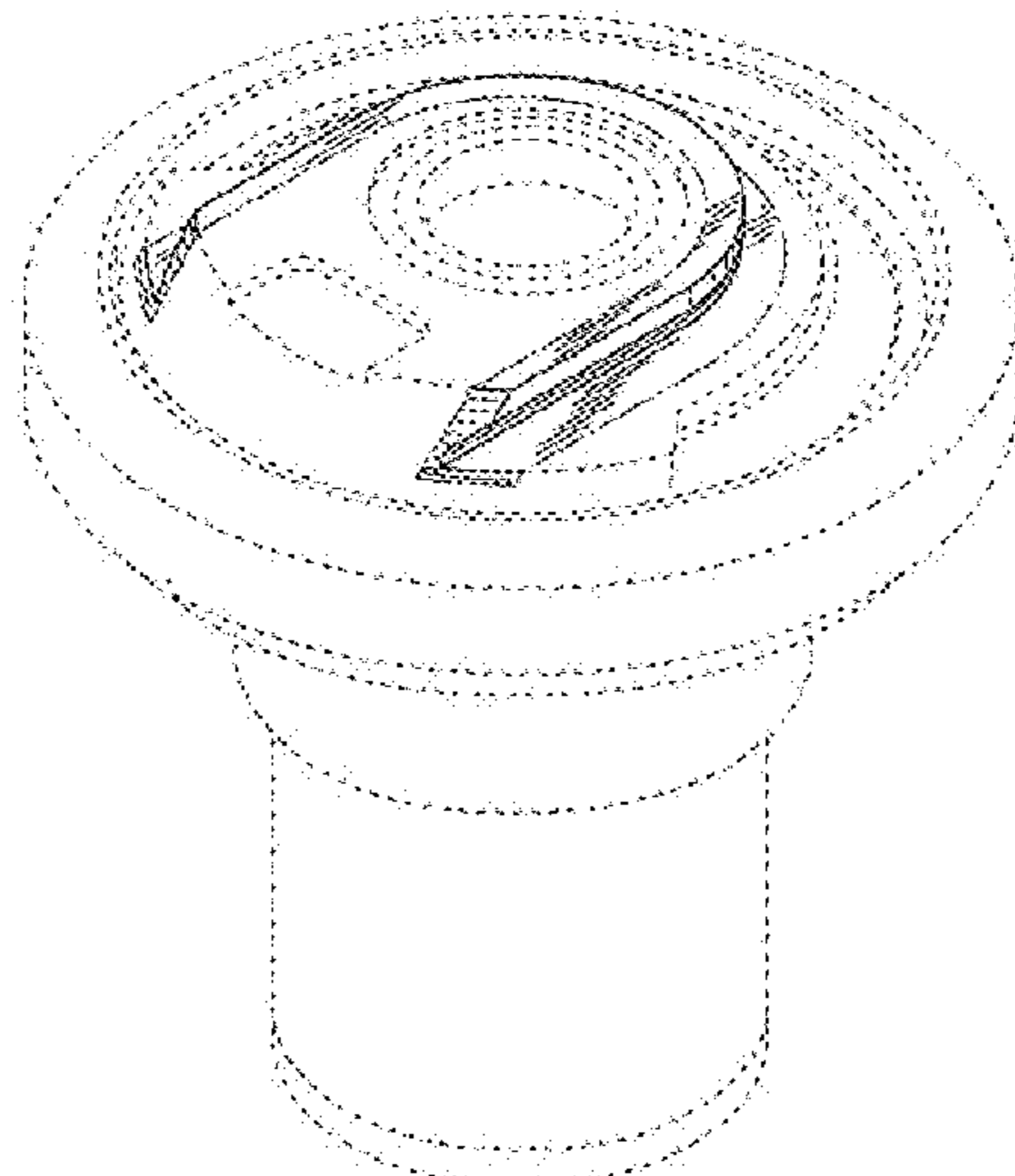
(57) **CLAIM**

The ornamental design for an adapter for mounting optical equipment to mobile computer, as shown and described.

DESCRIPTION

FIG. 1 is a perspective view of an adapter for mounting optical equipment to mobile computer.
FIG. 2 is a front elevational view of FIG. 1;
FIG. 3 is a rear elevational view of FIG. 1;
FIG. 4 is a top plan view of FIG. 1;
FIG. 5 is a bottom plan view of FIG. 1;
FIG. 6 is a right side elevational view; and,
FIG. 7 is a Cross sectional view of FIG. 6 along line 7-7.
The broken lines depict environmental subject matter only and form no part of the claim.

1 Claim, 7 Drawing Sheets



(56)

References Cited

U.S. PATENT DOCUMENTS

2011/0109983	A1*	5/2011	Lu	G02B 21/362 359/827
2013/0016963	A1*	1/2013	Miller	G02B 21/362 396/428
2015/0054935	A1*	2/2015	Muramatsu	G02B 21/24 348/79
2016/0051142	A1*	2/2016	Howes	A61B 3/14 351/245

* cited by examiner

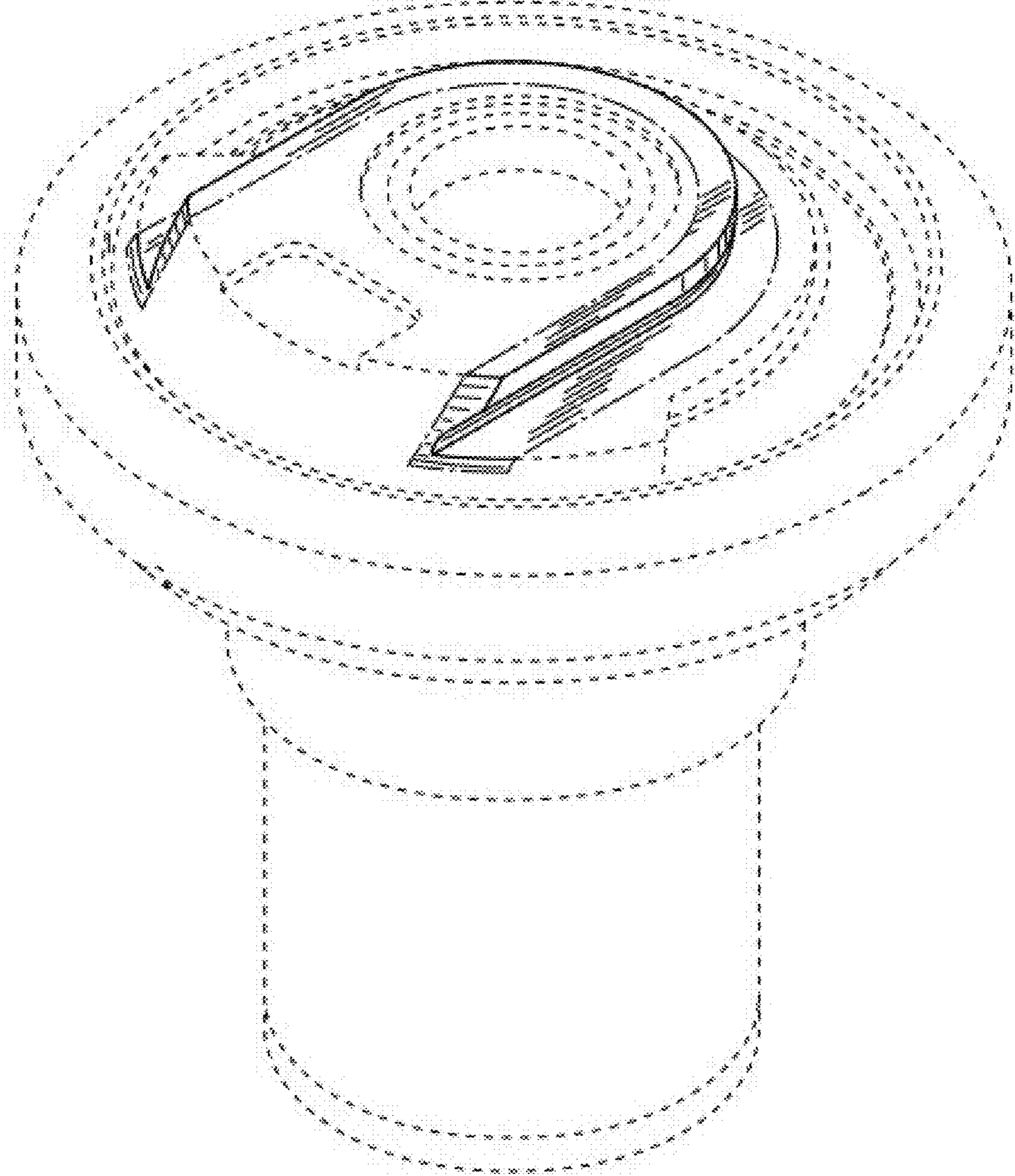


FIG. 1

FIG. 2

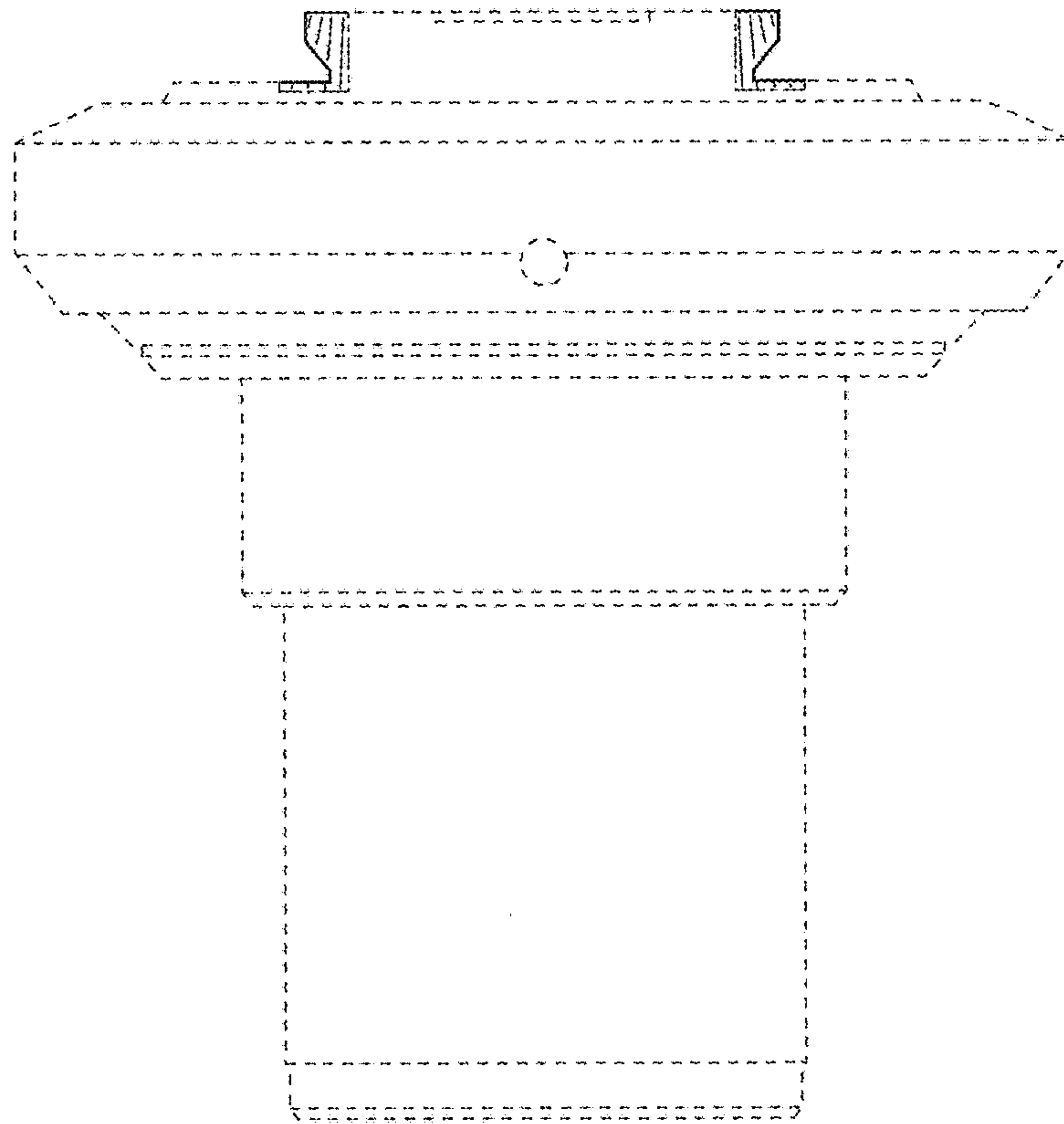


FIG. 3

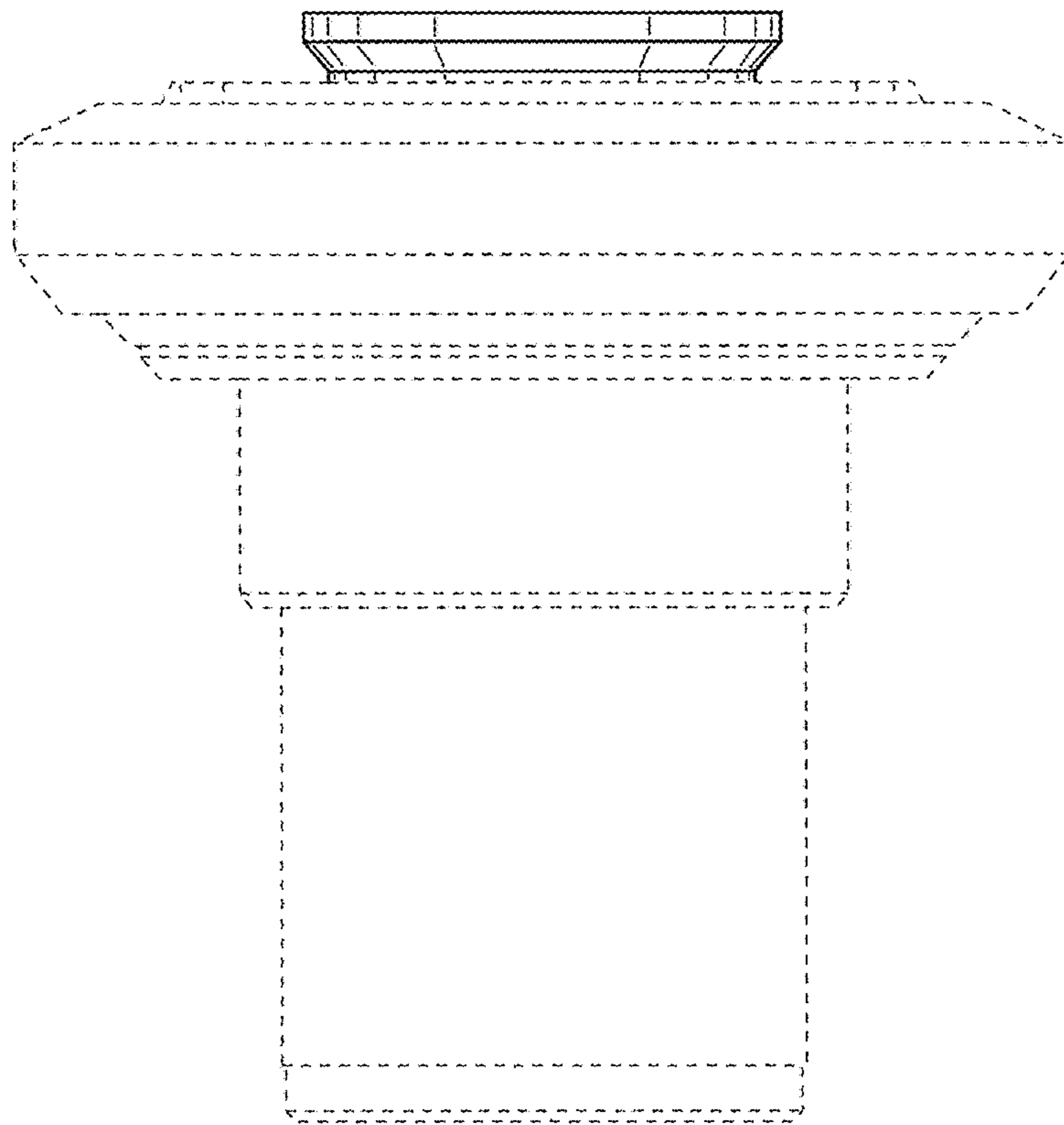


FIG. 4

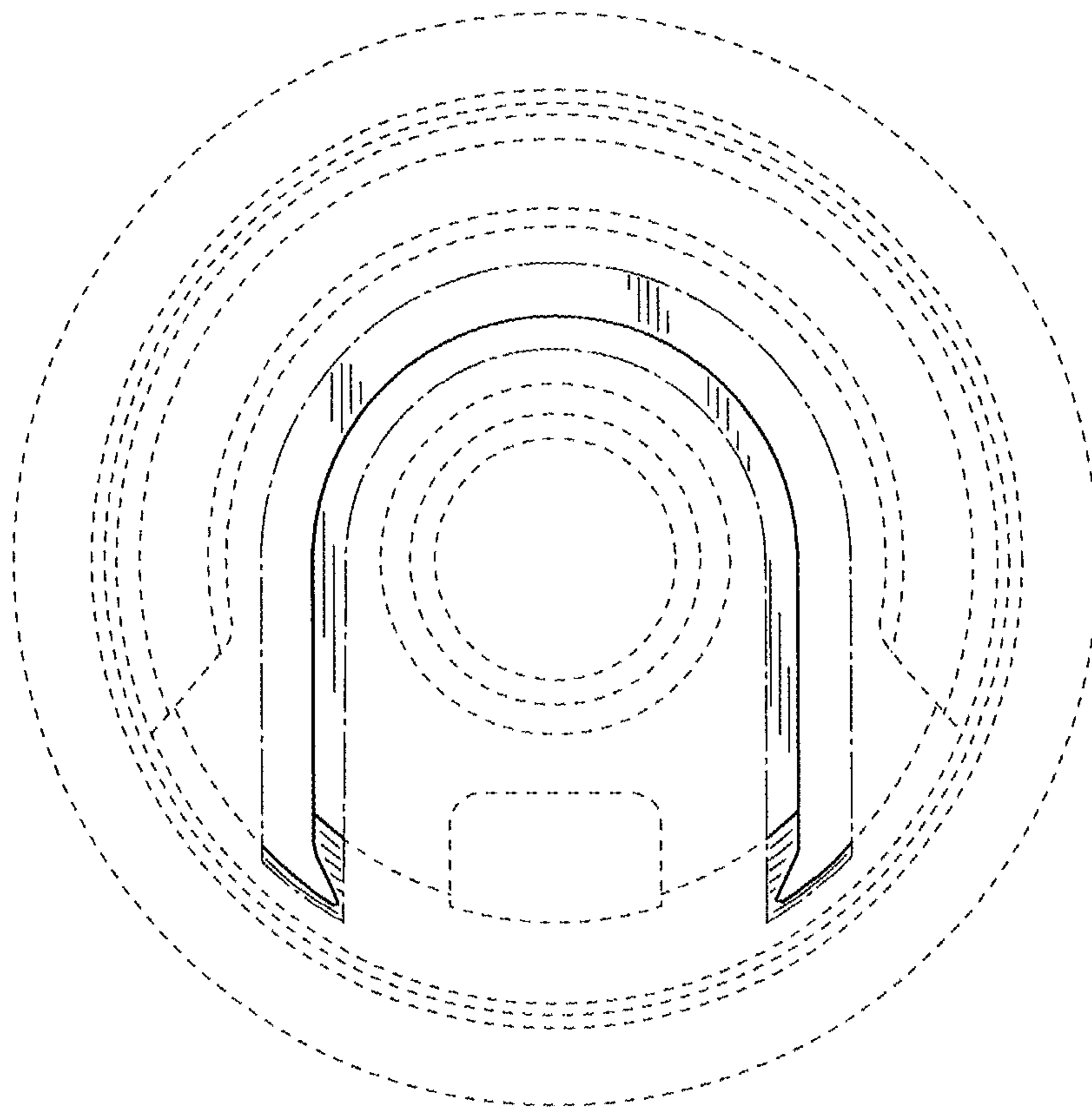


FIG. 5

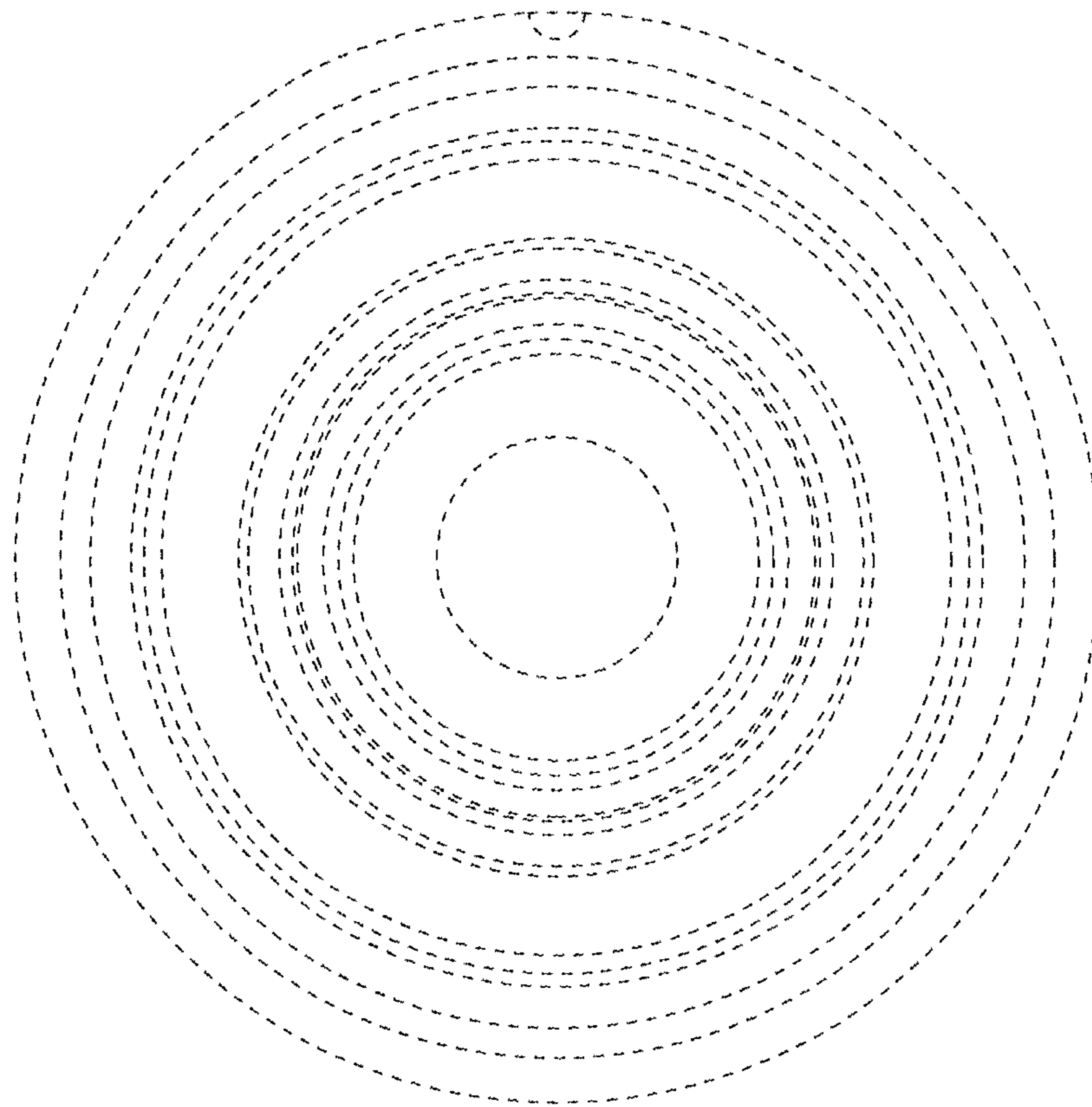


FIG. 6

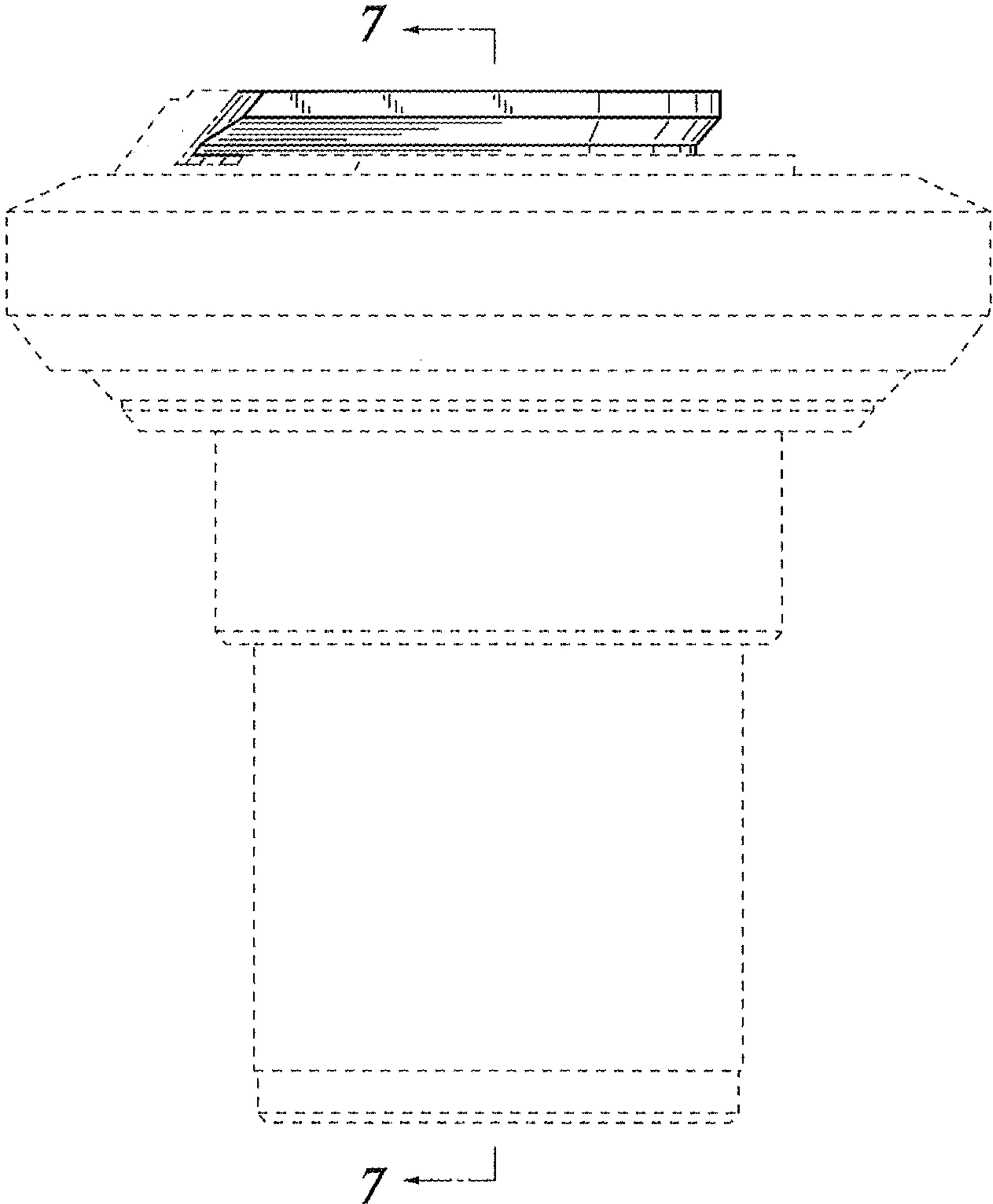


FIG. 7

