



US00D786246S

(12) **United States Design Patent** (10) **Patent No.:** **US D786,246 S**
Park et al. (45) **Date of Patent:** **** May 9, 2017**

(54) **DISPLAY MODULE FOR NOTEBOOK COMPUTER**
(71) Applicant: **LG DISPLAY CO., LTD.**, Seoul (KR)
(72) Inventors: **In Sik Park**, Seoul (KR); **Jong Seo Yoon**, Seoul (KR); **Tae Hyun Kim**, Seoul (KR); **Kyung Ju Kim**, Goyang-si (KR); **Dong Jin Seo**, Paju-si (KR)
(73) Assignee: **LG DISPLAY CO., LTD.**, Seoul (KR)
(**) Term: **15 Years**
(21) Appl. No.: **29/558,544**
(22) Filed: **Mar. 18, 2016**
(51) **LOC (10) Cl.** **14-02**
(52) **U.S. Cl.**
USPC **D14/374; D14/315**
(58) **Field of Classification Search**
USPC D14/371-375, 125-129, 336, 337, 341, D14/239, 315-318; 341/22, 23; 345/104, 156, 168, 173; 348/180, 184, 348/325, 739; 349/1, 2, 11, 62; 361/679.05-679.07, 679.21; D6/300, D6/308; D18/1, 2, 7, 11
CPC G06F 1/16; G06F 1/1601; G06F 3/037; G06F 1/162; G06F 1/1613; G06F 1/133308; G06F 1/1616; G06F 1/1626; G06F 1/1632; G06F 1/1618; G06F 1/166; G06F 1/1654; G06F 1/1681; G06F 1/1637; G06F 1/1688; G06F 1/1656; F16M 11/02; F16M 11/10; F16M 11/00; F16M 11/06; F16M 11/18; F16M 11/045; F16M 11/105; H01R 35/02; H03M 11/00; G09B 13/04; H03K 17/94; G09G 5/00; H05K 5/00; H04M 1/0237
See application file for complete search history.

(56) **References Cited**
U.S. PATENT DOCUMENTS
3,709,590 A * 1/1973 Bisberg G03B 21/132 353/120
D364,395 S * 11/1995 Uratani D14/374
D458,238 S * 6/2002 Niitsu D14/126
D572,677 S * 7/2008 Niitsu D14/126
D635,976 S * 4/2011 Lee D14/374
D646,243 S * 10/2011 Honda D14/126
D663,705 S * 7/2012 Park D14/126
D682,272 S * 5/2013 Kim D14/374
* cited by examiner

Primary Examiner — Freda S Nunn
(74) *Attorney, Agent, or Firm* — Birch, Stewart, Kolasch & Birch, LLP

(57) **CLAIM**
The ornamental design for a display module for notebook computer, as shown and described.

DESCRIPTION
FIG. 1 is a perspective view of a display module for notebook computer showing our new design;
FIG. 2 is a front view thereof;
FIG. 3 is a rear view thereof;
FIG. 4 is a left side view thereof;
FIG. 5 is a right side view thereof;
FIG. 6 is a top plan view thereof; and,
FIG. 7 is a bottom plan view thereof.
The broken lines depict portions of the display module for notebook computer that form no part of the claimed design.

1 Claim, 7 Drawing Sheets

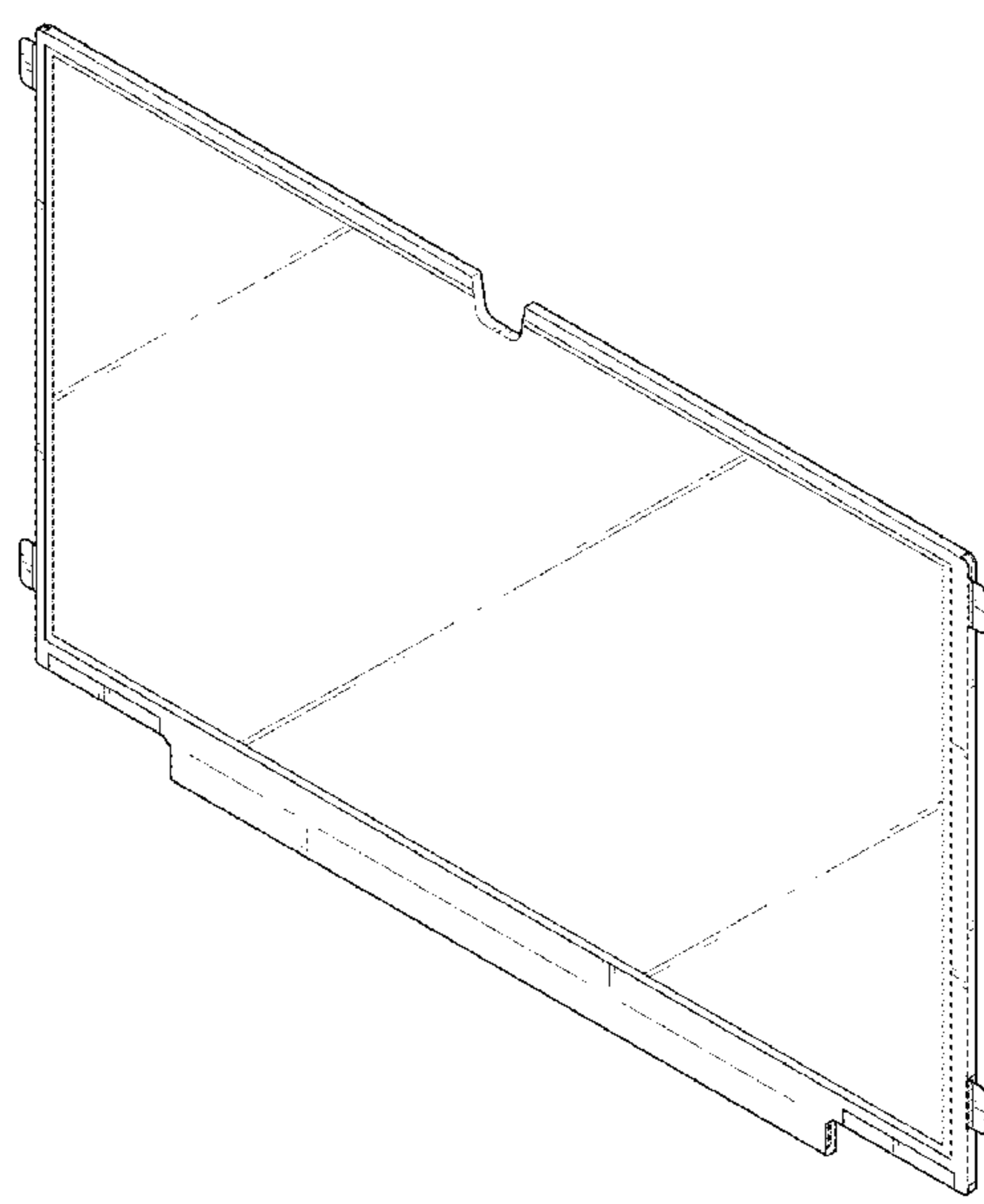


FIG. 1

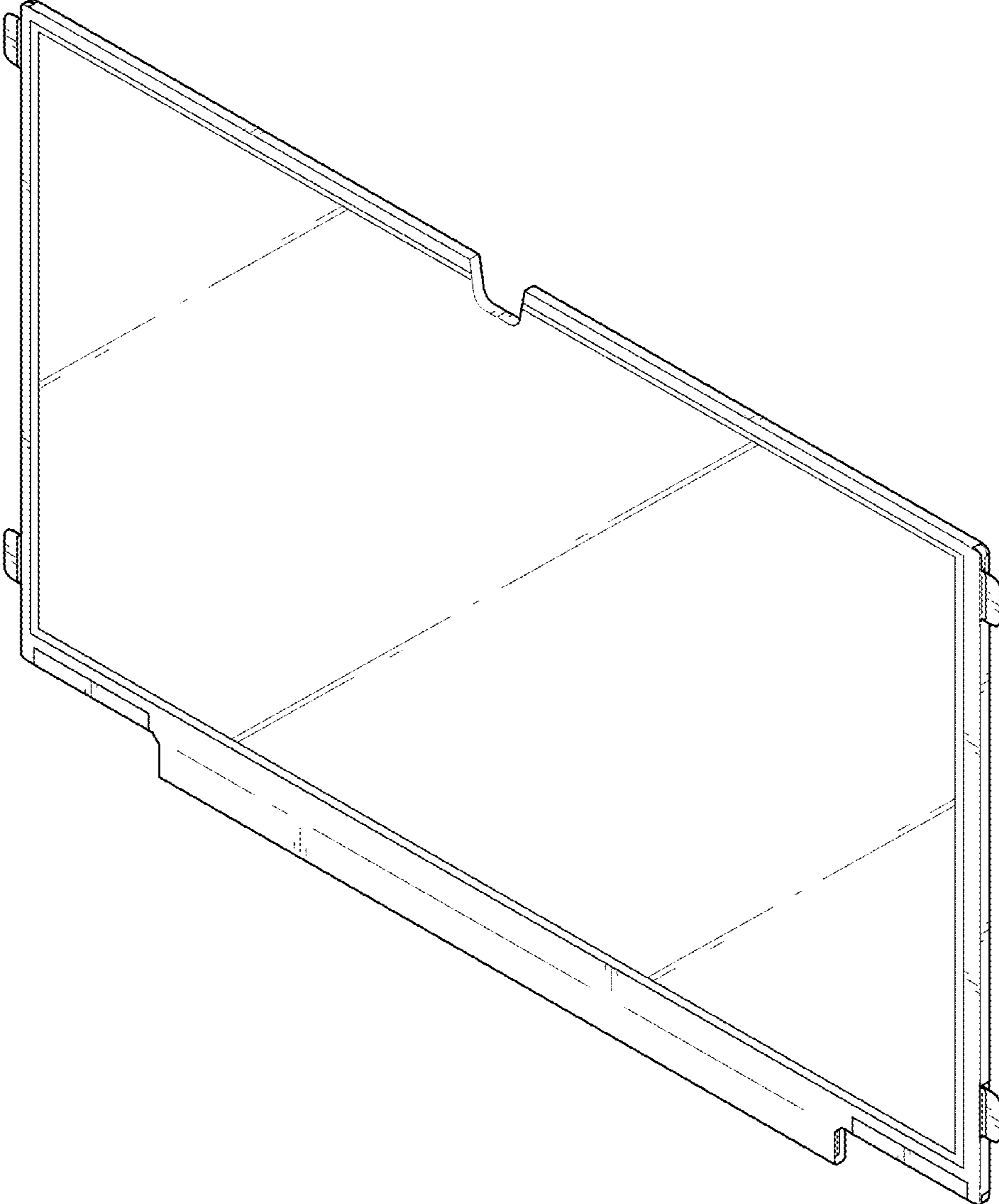


FIG. 2

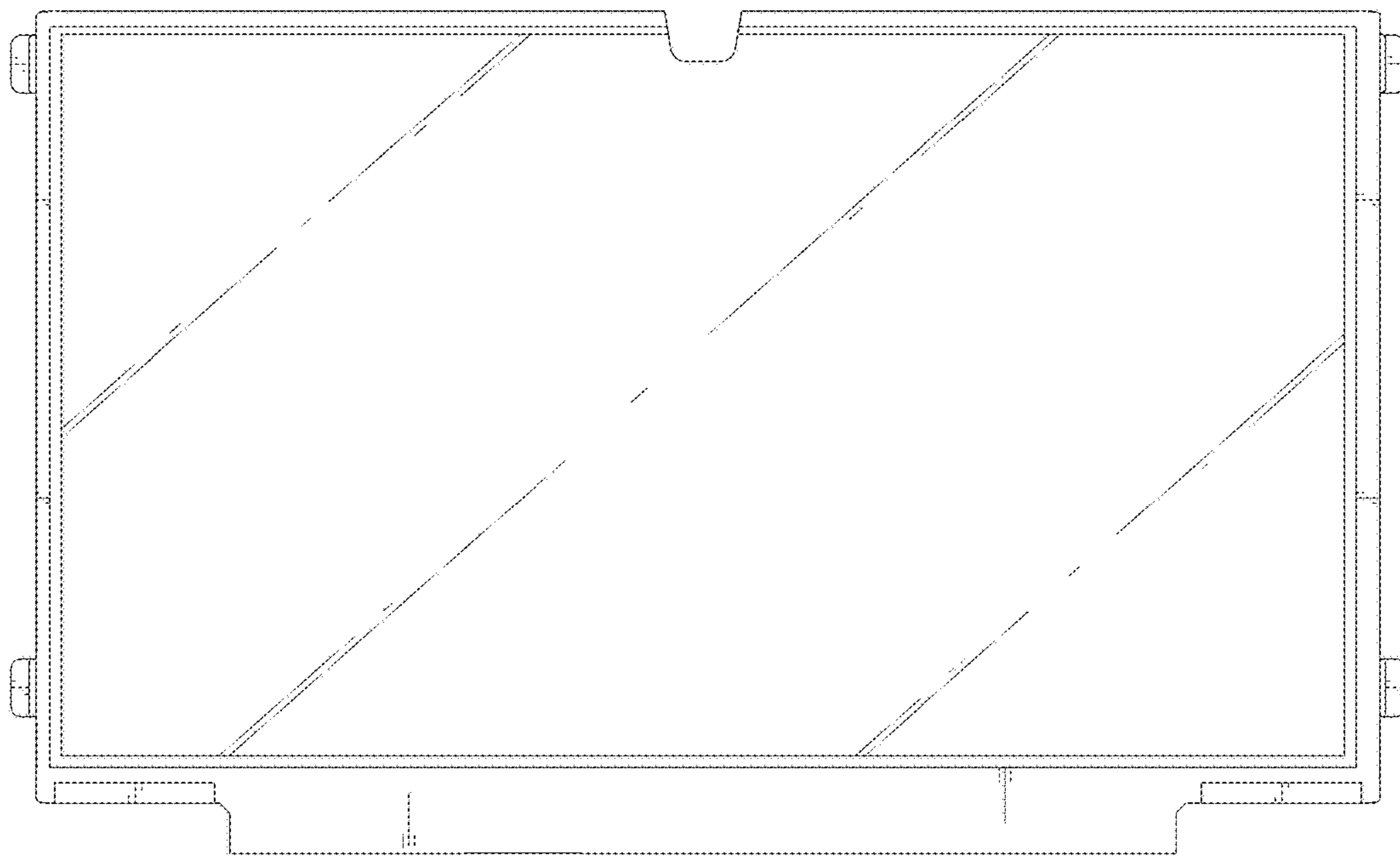


FIG. 3

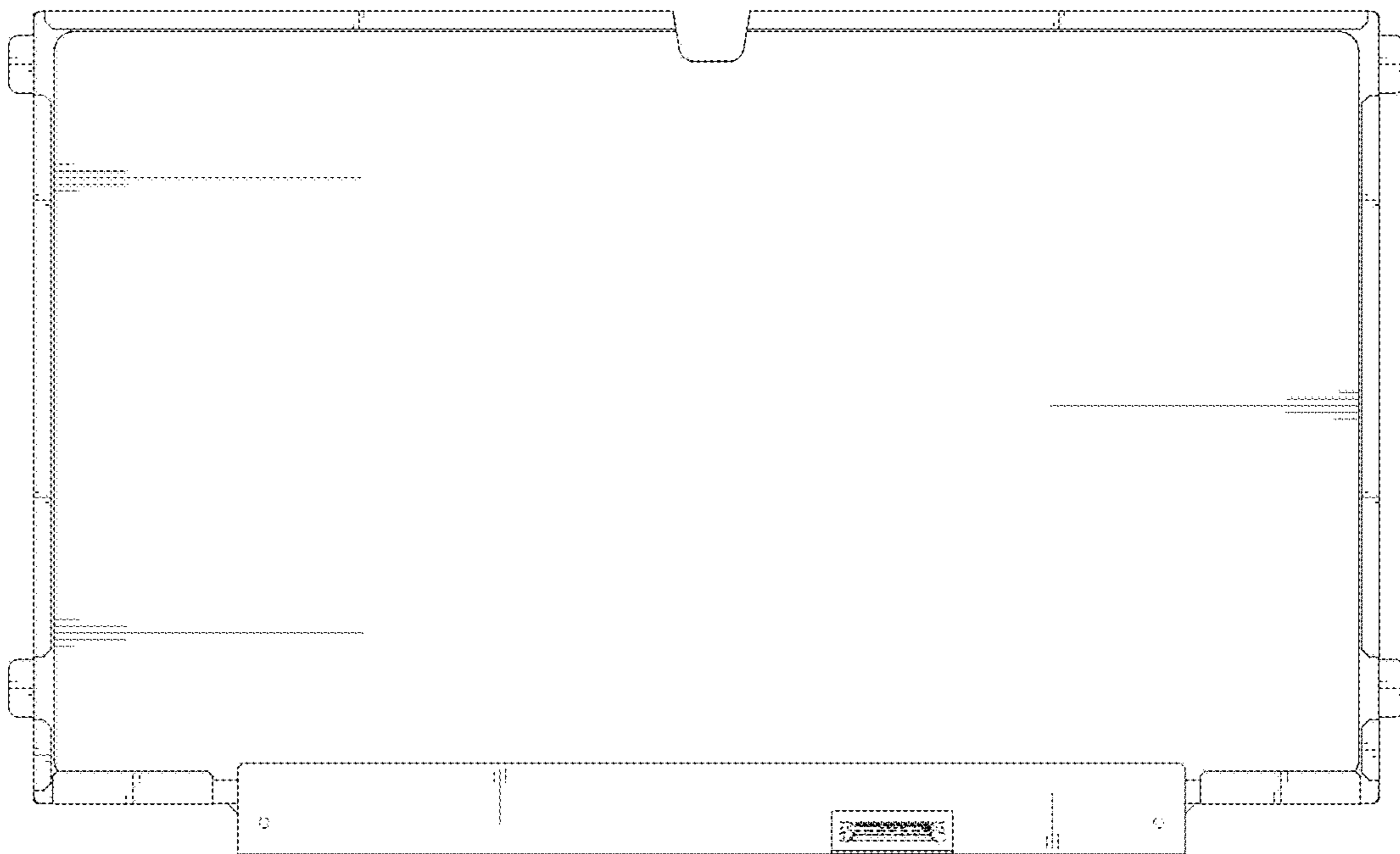


FIG. 4

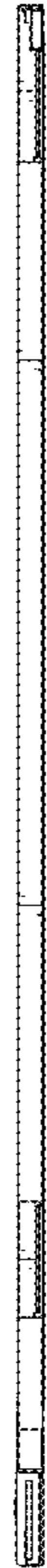


FIG. 5



FIG. 6

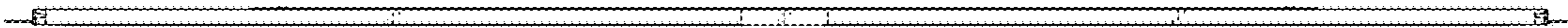


FIG. 7

