



US00D786245S

(12) **United States Design Patent** (10) **Patent No.:** **US D786,245 S**
Skinner et al. (45) **Date of Patent:** **** May 9, 2017**

(54) **COMPUTER**

(71) Applicant: **Hewlett-Packard Development Company, L.P.**, Houston, TX (US)

(72) Inventors: **David N. Skinner**, Houston, TX (US); **Glenn A. Wong**, Houston, TX (US); **Kevin L. Massaro**, Houston, TX (US); **Stacy L. Wolff**, Houston, TX (US); **Marcus Hoggarth**, San Francisco, CA (US); **Jack Godfrey Wood**, San Francisco, CA (US); **Yongook Guack**, Cork (IE)

(73) Assignee: **Hewlett-Packard Development Company, L.P.**, Houston, TX (US)

(**) Term: **15 Years**

(21) Appl. No.: **29/540,046**

(22) Filed: **Sep. 21, 2015**

(51) **LOC (10) Cl.** **14-02**

(52) **U.S. Cl.**
USPC **D14/374**

(58) **Field of Classification Search**
 USPC D14/300, 371-375, 125-129, 336, 337, D14/341, 448, 451; 341/12; 345/104, 345/156, 168, 173; 348/180, 184, 325, 348/739; 349/1, 2, 11, 62; 361/679.05-679.07, 679.21; D6/300, D6/308; D20/10
 CPC G06F 1/16; G06F 1/1601; G06F 3/037; G06F 1/162; G06F 1/1613; F16M 11/02; F16M 11/10; F16M 11/00; G02F 1/133308

See application file for complete search history.

(56) **References Cited**

U.S. PATENT DOCUMENTS

| | | | | | | |
|----------|---|---|---------|-------|-------|---------|
| D412,891 | S | * | 8/1999 | Sumii | | D14/126 |
| D634,723 | S | * | 3/2011 | Park | | D14/126 |
| D670,257 | S | * | 11/2012 | Yang | | D14/126 |
| D691,571 | S | * | 10/2013 | Park | | D14/126 |
| D708,157 | S | * | 7/2014 | Park | | D14/126 |
| D731,994 | S | * | 6/2015 | Won | | D14/126 |

* cited by examiner

Primary Examiner — Freda S Nunn

(74) *Attorney, Agent, or Firm* — Foley & Lardner LLP

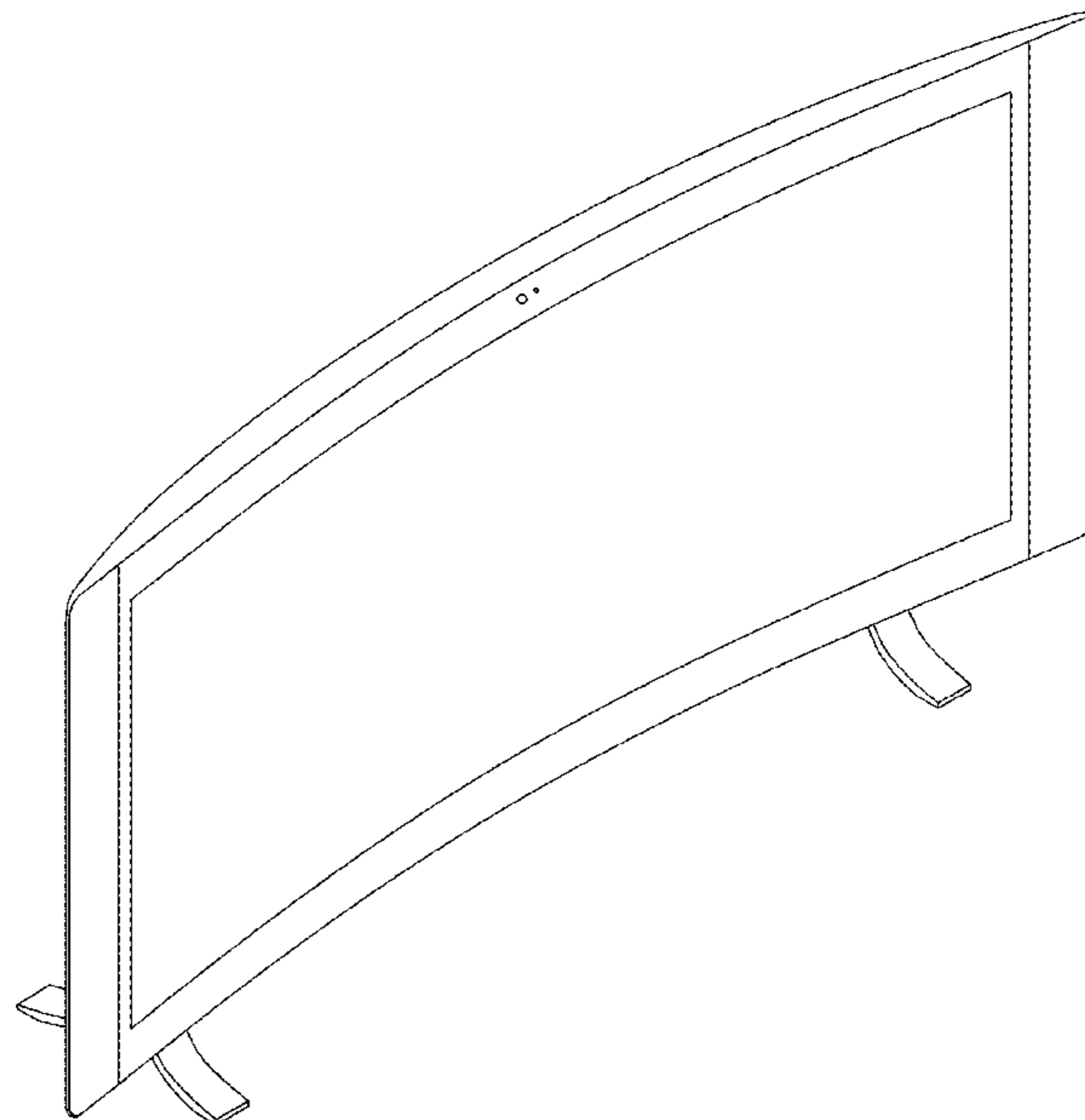
(57) **CLAIM**

We claim the ornamental design for a computer, as shown and described.

DESCRIPTION

FIG. 1 is a top, front, left perspective view of the claimed design according to a first embodiment;
 FIG. 2 is a front elevation view thereof;
 FIG. 3 is a rear elevation view thereof;
 FIG. 4 is a left side elevation view thereof;
 FIG. 5 is a right side elevation view thereof;
 FIG. 6 is a top plan view thereof; and
 FIG. 7 is a bottom plan view thereof;
 FIG. 8 is a top, front, left perspective view of the claimed design according to a second embodiment;
 FIG. 9 is a front elevation view thereof;
 FIG. 10 is a rear elevation view thereof;
 FIG. 11 is a left side elevation view thereof;
 FIG. 12 is a right side elevation view thereof;
 FIG. 13 is a top plan view thereof; and
 FIG. 14 is a bottom plan view thereof.
 Broken lines shown in the drawings represent environment only and form no part of the claimed design.

1 Claim, 12 Drawing Sheets



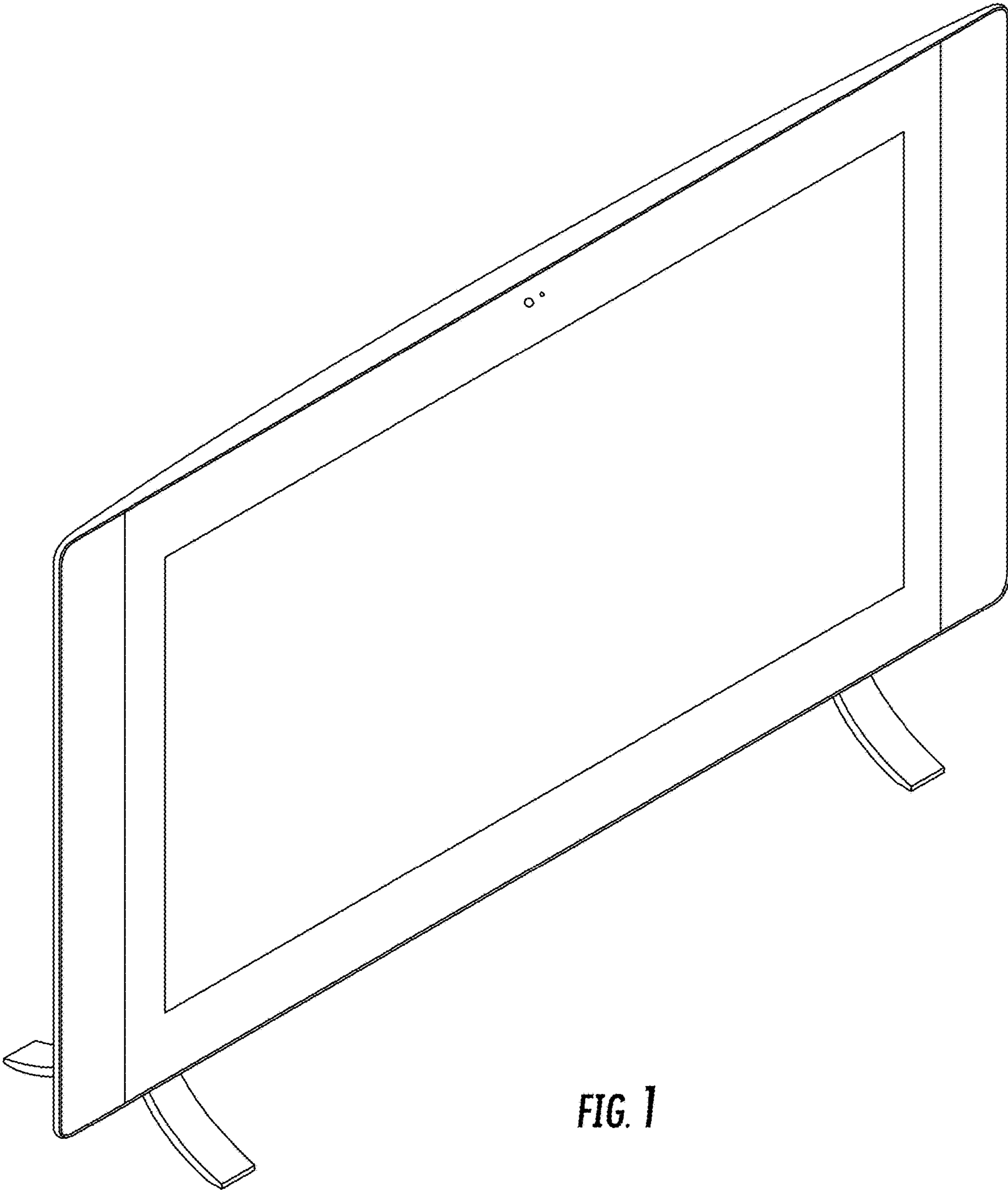
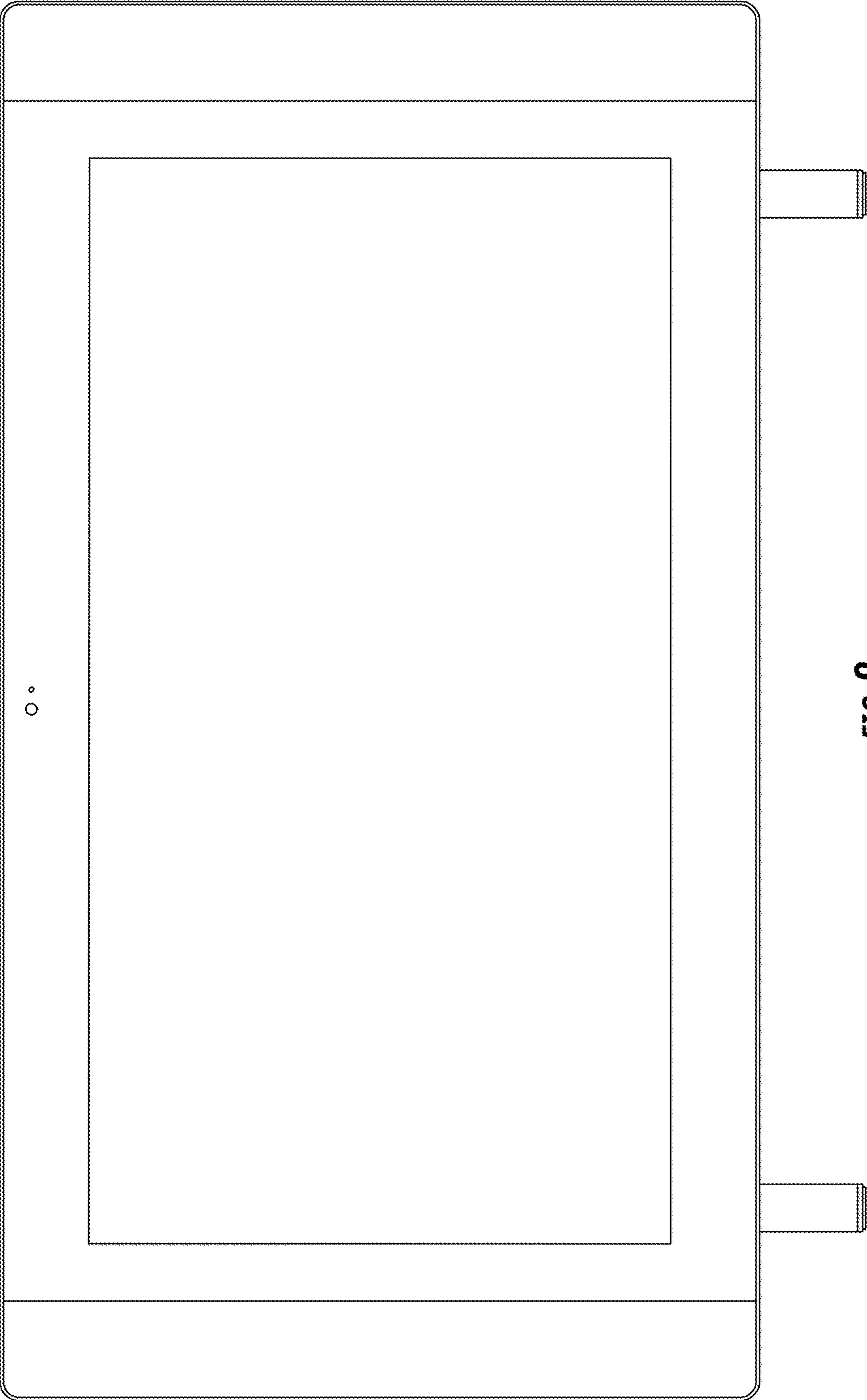


FIG. 1



0°

FIG. 2

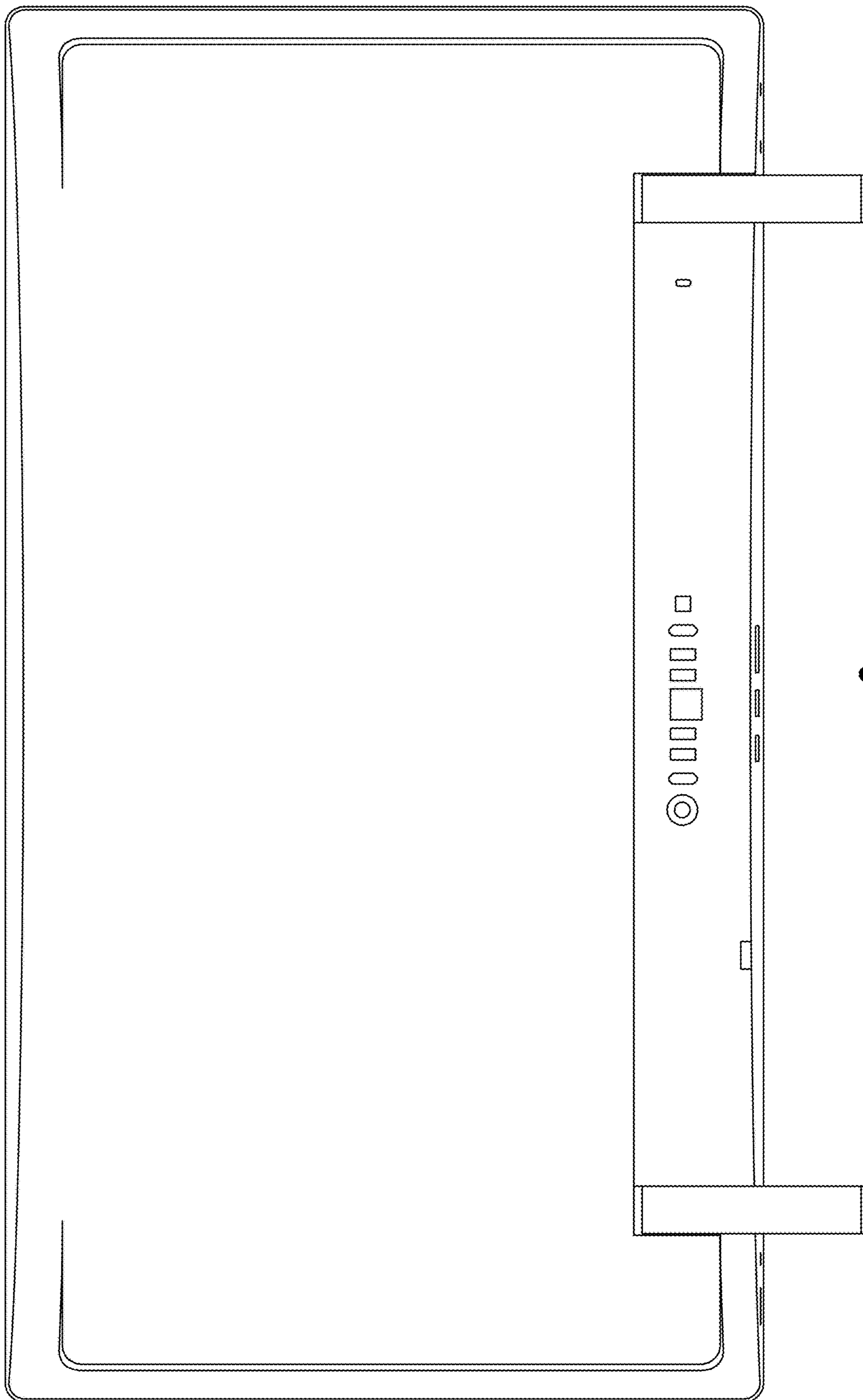


FIG. 3

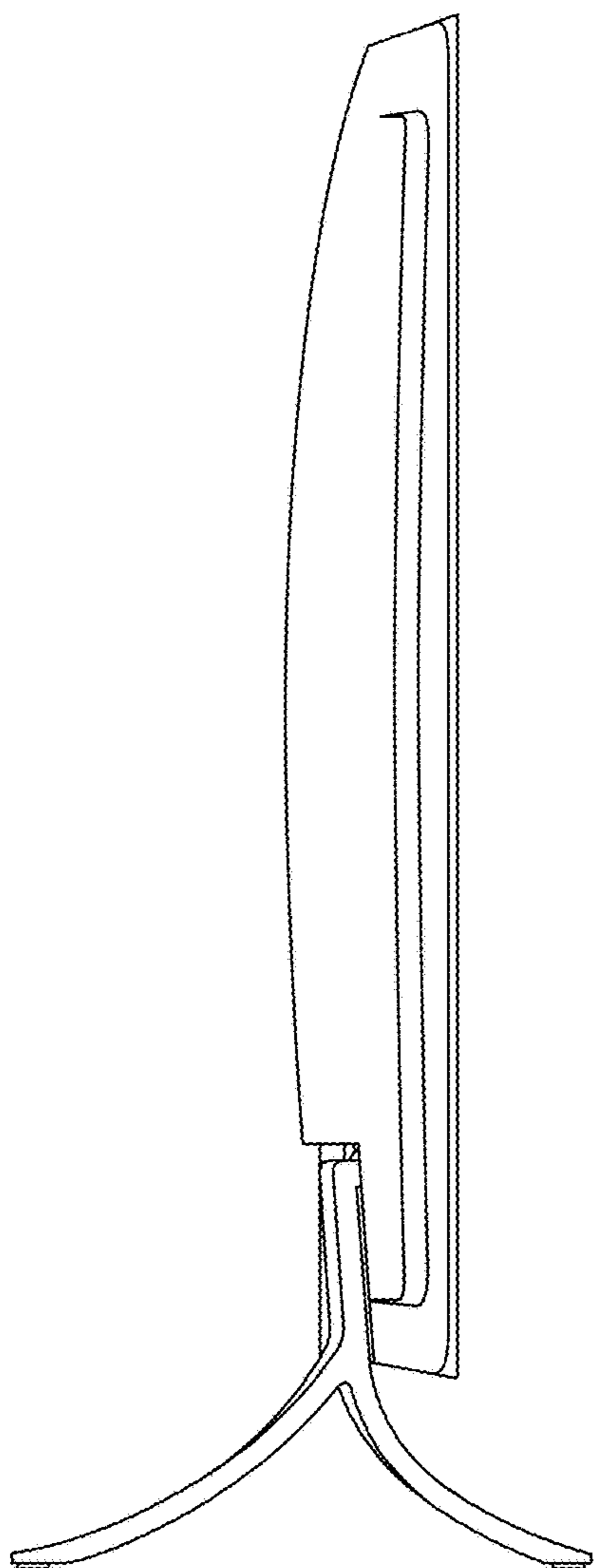


FIG. 4

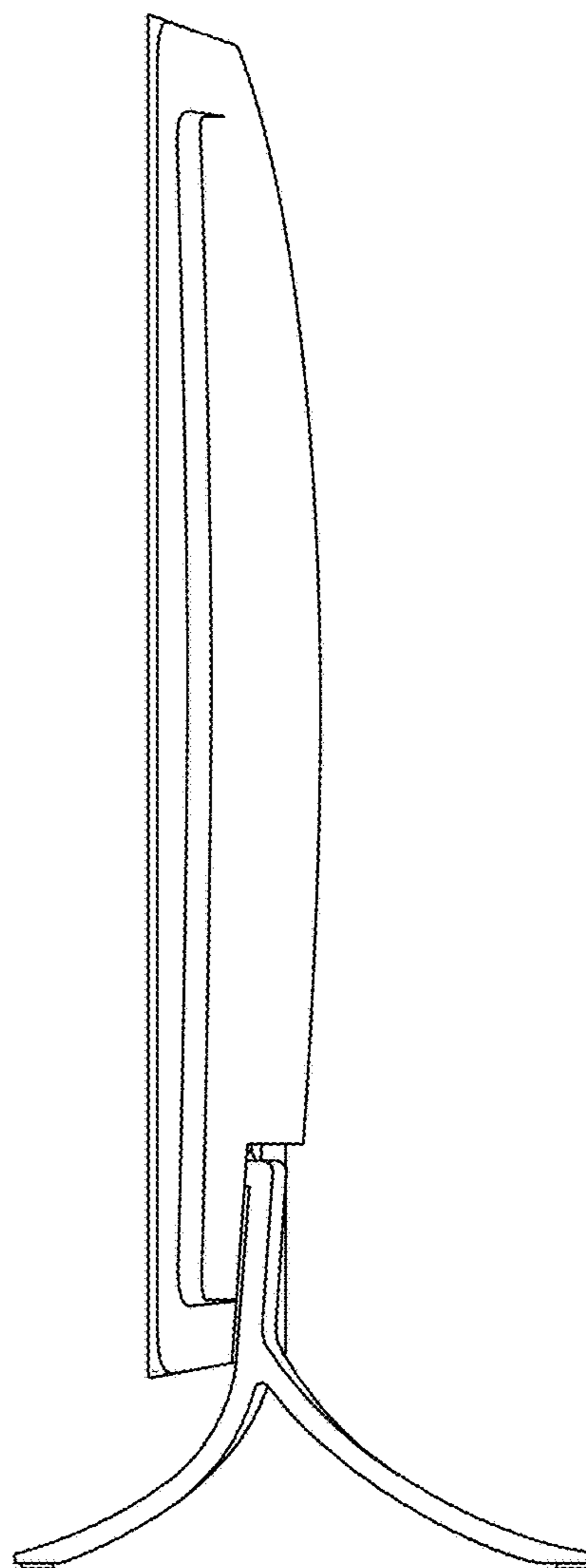


FIG. 5

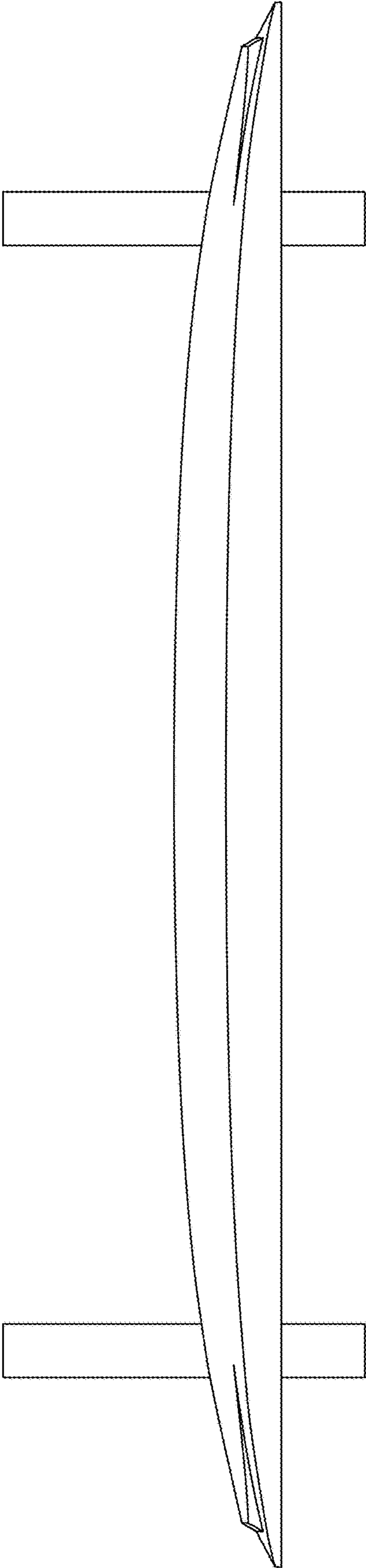


FIG. 6

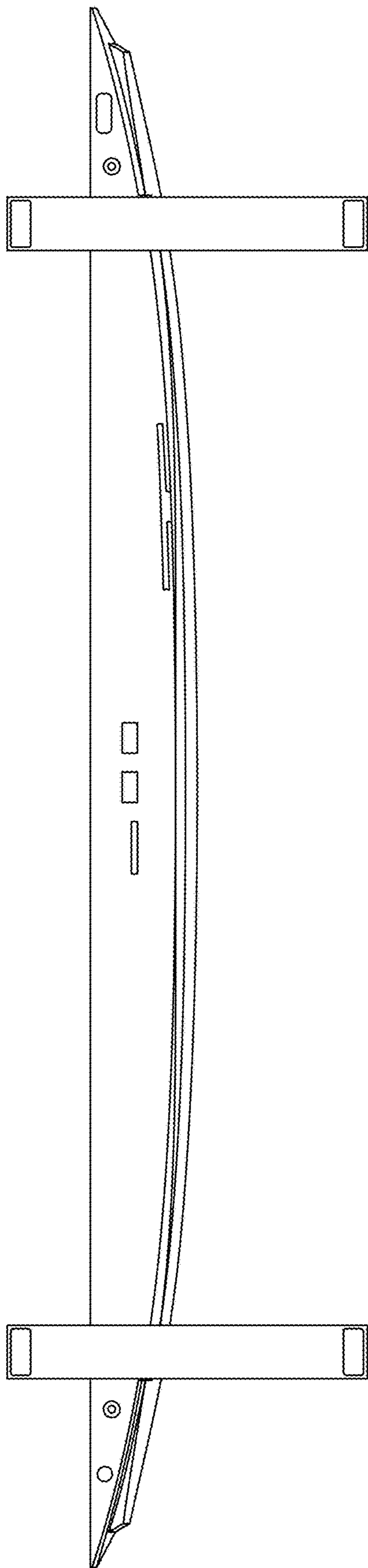


FIG. 7

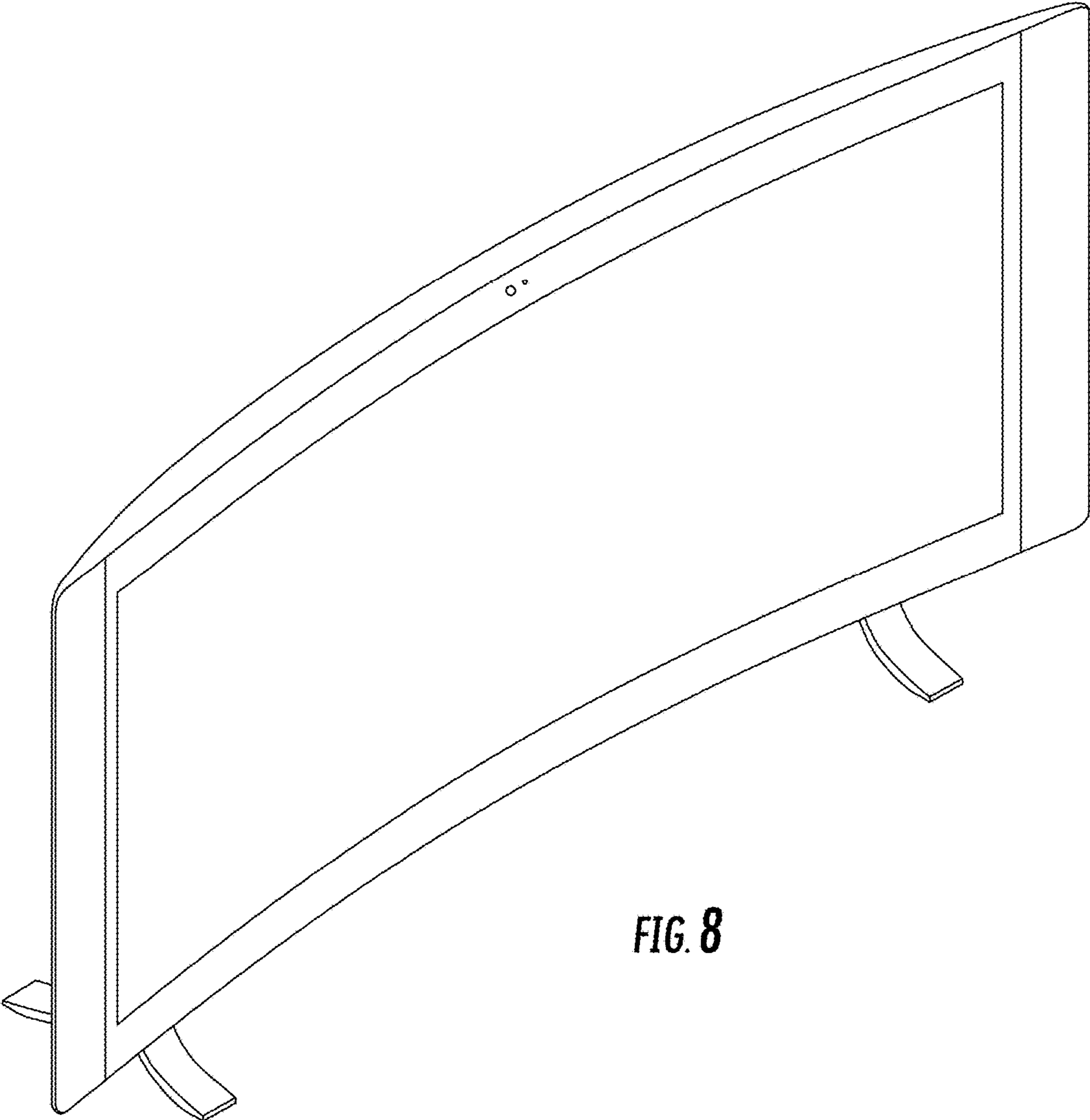
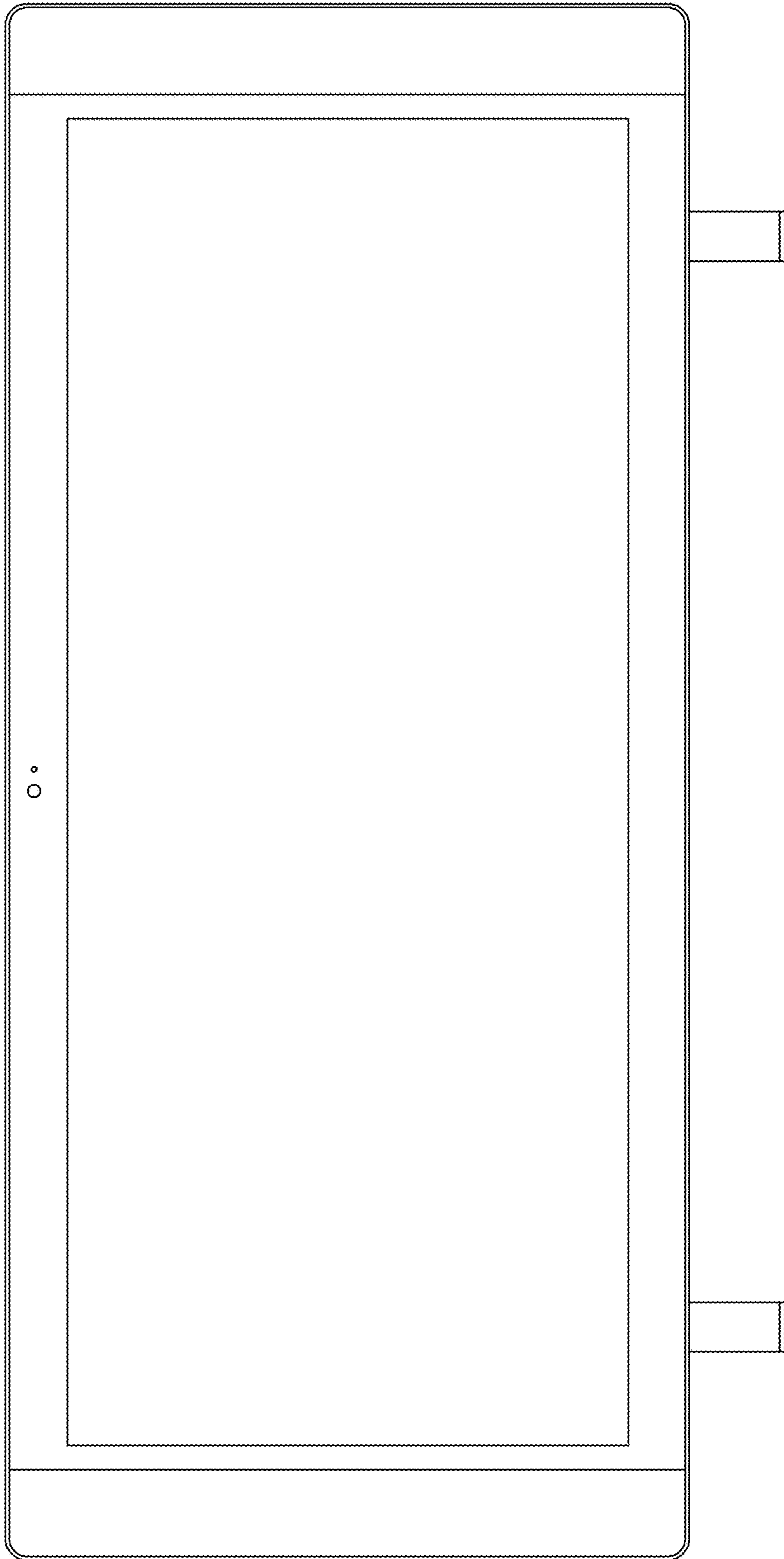


FIG. 8



0°

FIG. 9

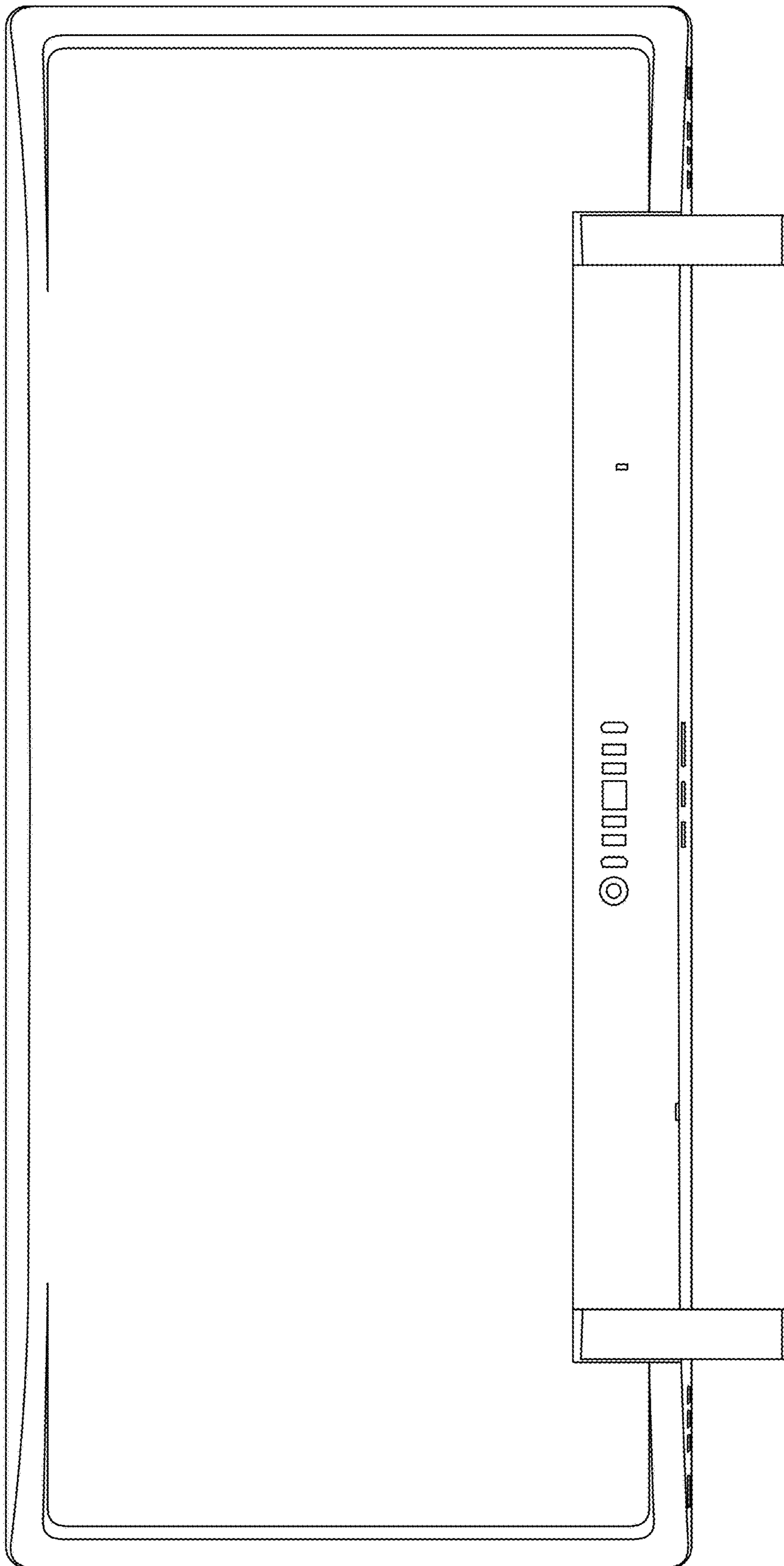


FIG. 10

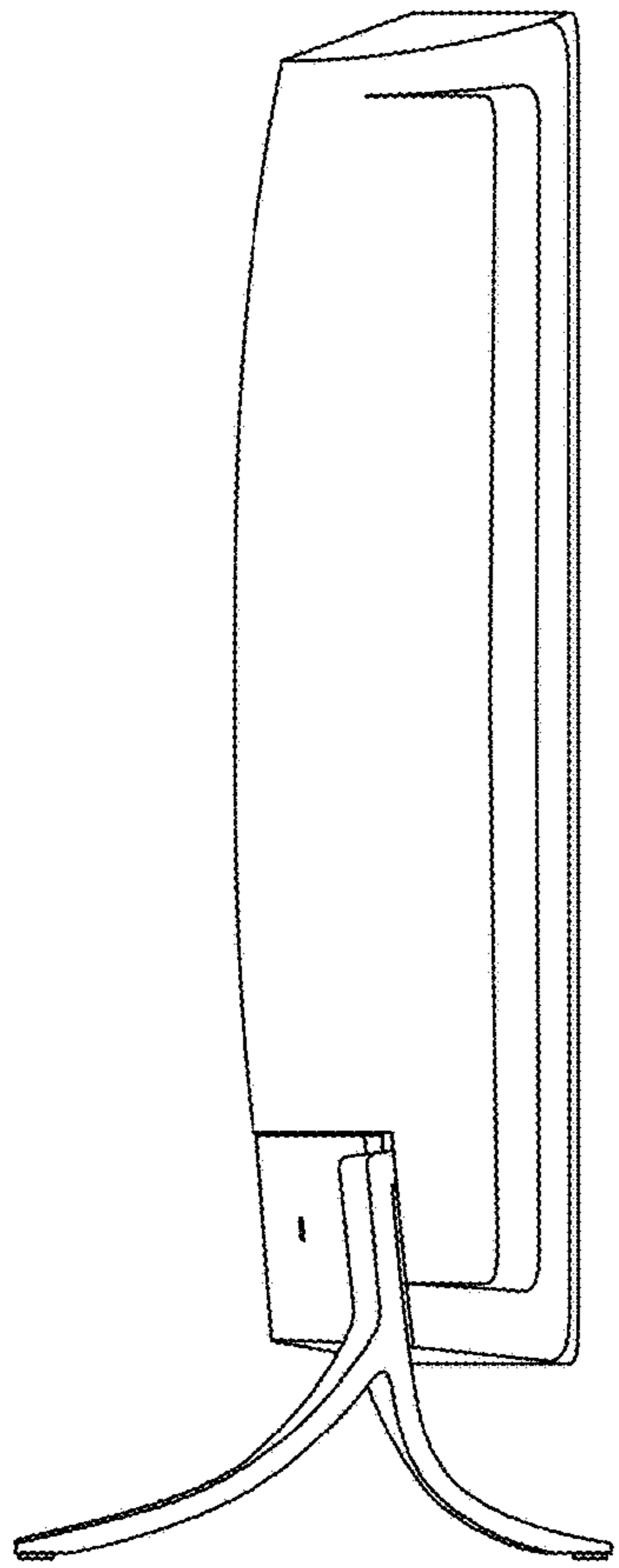


FIG. 11

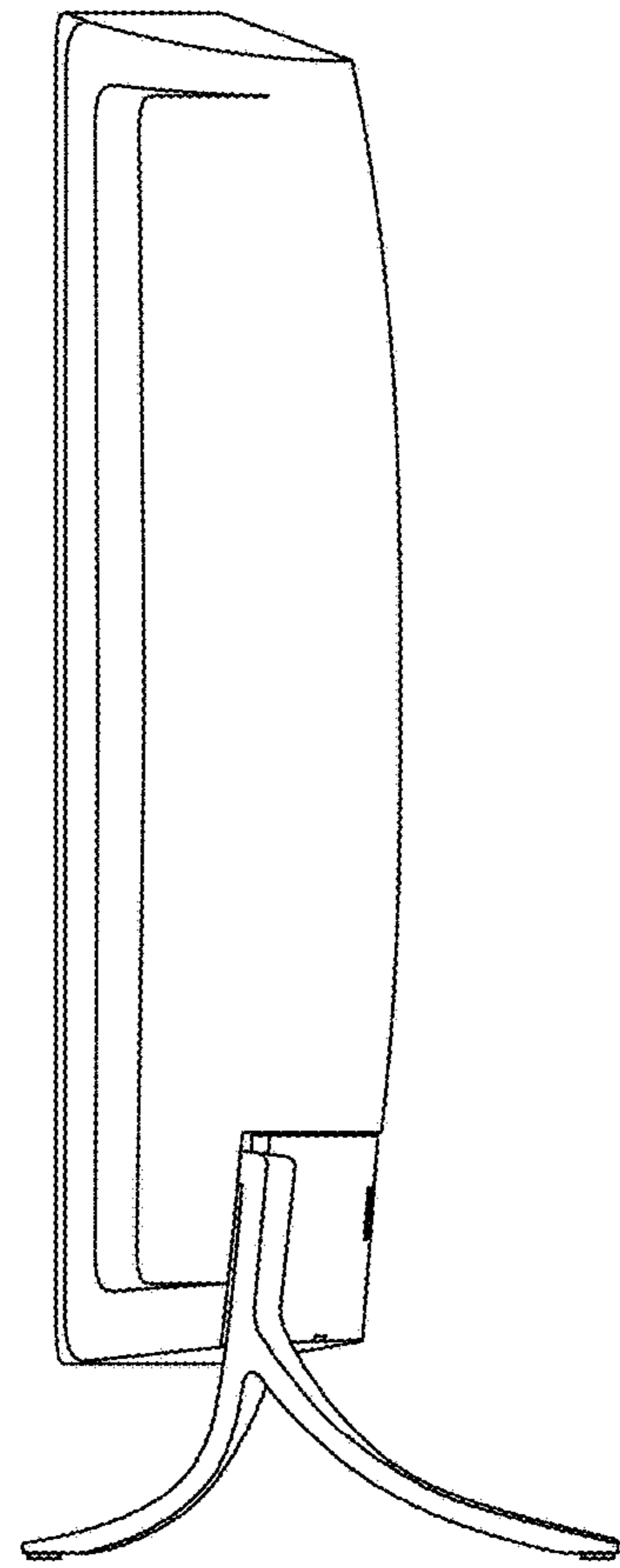


FIG. 12

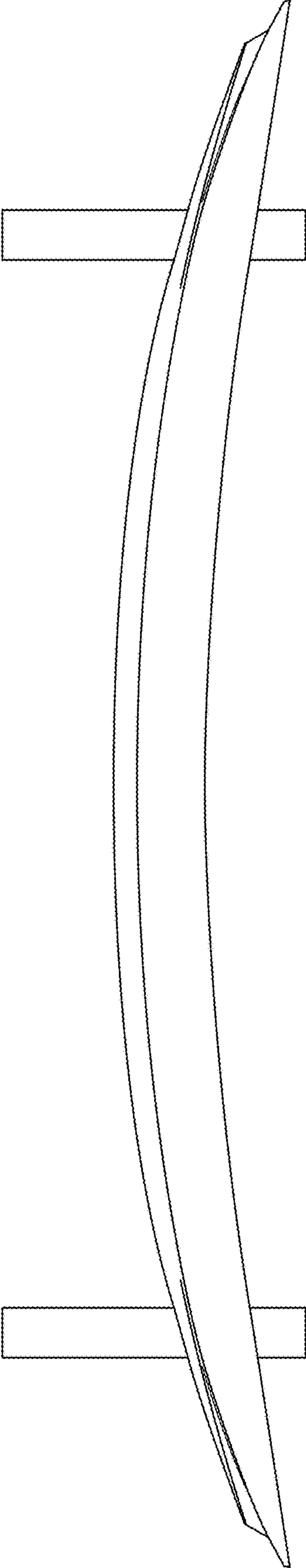


FIG. 13

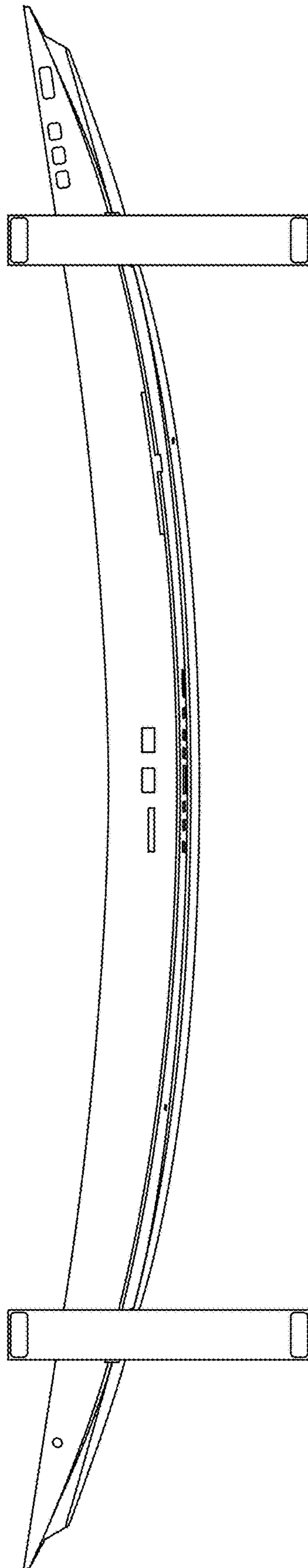


FIG. 14