



US00D786242S

(12) **United States Design Patent** (10) **Patent No.:** **US D786,242 S**
Ho (45) **Date of Patent:** **** May 9, 2017**

(54) **BEZEL FREE DISPLAY**

88/044; A47B 2021/0335; H02G 3/126;
A47G 1/17; A47K 2201/00

(71) Applicant: **HON HAI PRECISION INDUSTRY CO., LTD.**, New Taipei (TW)

See application file for complete search history.

(72) Inventor: **Chang-Da Ho**, New Taipei (TW)

(56) **References Cited**

(73) Assignee: **HON HAI PRECISION INDUSTRY CO., LTD.**, New Taipei (TW)

U.S. PATENT DOCUMENTS

(**) Term: **14 Years**

(21) Appl. No.: **29/504,765**

D223,580	S	*	5/1972	Richards	D14/215
D593,614	S	*	6/2009	Didulo	D20/43
D606,043	S	*	12/2009	Lin	D14/216
D616,403	S	*	5/2010	Roed	D14/127
D618,682	S	*	6/2010	Haase	D14/371
D642,156	S	*	7/2011	Joseph	D14/209.1
D691,116	S	*	10/2013	Ponce	D14/215
D715,765	S	*	10/2014	Kim	D14/209.1
D733,678	S	*	7/2015	Gundlach	D14/214
D742,365	S	*	11/2015	Kim	D14/239
D745,488	S	*	12/2015	Lee	D14/204
D757,688	S	*	5/2016	Wise	D14/214
D760,692	S	*	7/2016	Seong	D14/214
D763,238	S	*	8/2016	Kim	D14/126
D771,582	S	*	11/2016	Williams	D14/127
2011/0163999	A1	*	7/2011	Lin	G06F 1/1601 345/176

(22) Filed: **Oct. 9, 2014**

(51) **LOC (10) Cl.** **14-01**

(52) **U.S. Cl.**
USPC **D14/371**; D14/127

(58) **Field of Classification Search**
USPC D14/371-382, 125-129, 335-337,
D14/447-452, 492, 239, 457, 439-441,
D14/432, 251-253, 204, 209, 214-216;
D8/349, 354, 363, 373, 376, 380;
348/180, 184, 325, 739, 825; D12/407,
D12/415; D3/218; 341/12

CPC G06F 3/0412; G06F 3/016; G06F 3/0488;
G06F 3/011; G06F 3/038; G06F 3/03543;
G06F 3/0338; G06F 3/0202; G06F
3/0219; G06F 3/0213; G06F 1/1616;
G06F 3/023; G06F 3/04883; G02F
1/13338; G02F 1/1313; G02F 1/1333;
G02F 1/135; G02F 1/132; G02F
1/133308; G02F 1/134309; G02F
1/13718; G09G 3/3648; G06K 15/1252;
B41J 2/465; G03F 7/70291; G02B
27/0172; G02B 5/30; G02B 2027/0118;
G02B 27/0101; F16M 13/02; F16M
13/00; F16M 11/10; F16M 11/04; F16M
2200/08; F16M 11/2021; F16B 47/00;
F16B 47/006; A47B 21/0314; A47B

* cited by examiner

Primary Examiner — Garth Rademaker
Assistant Examiner — Katie Stofko Mrocza
(74) *Attorney, Agent, or Firm* — Steven Reiss

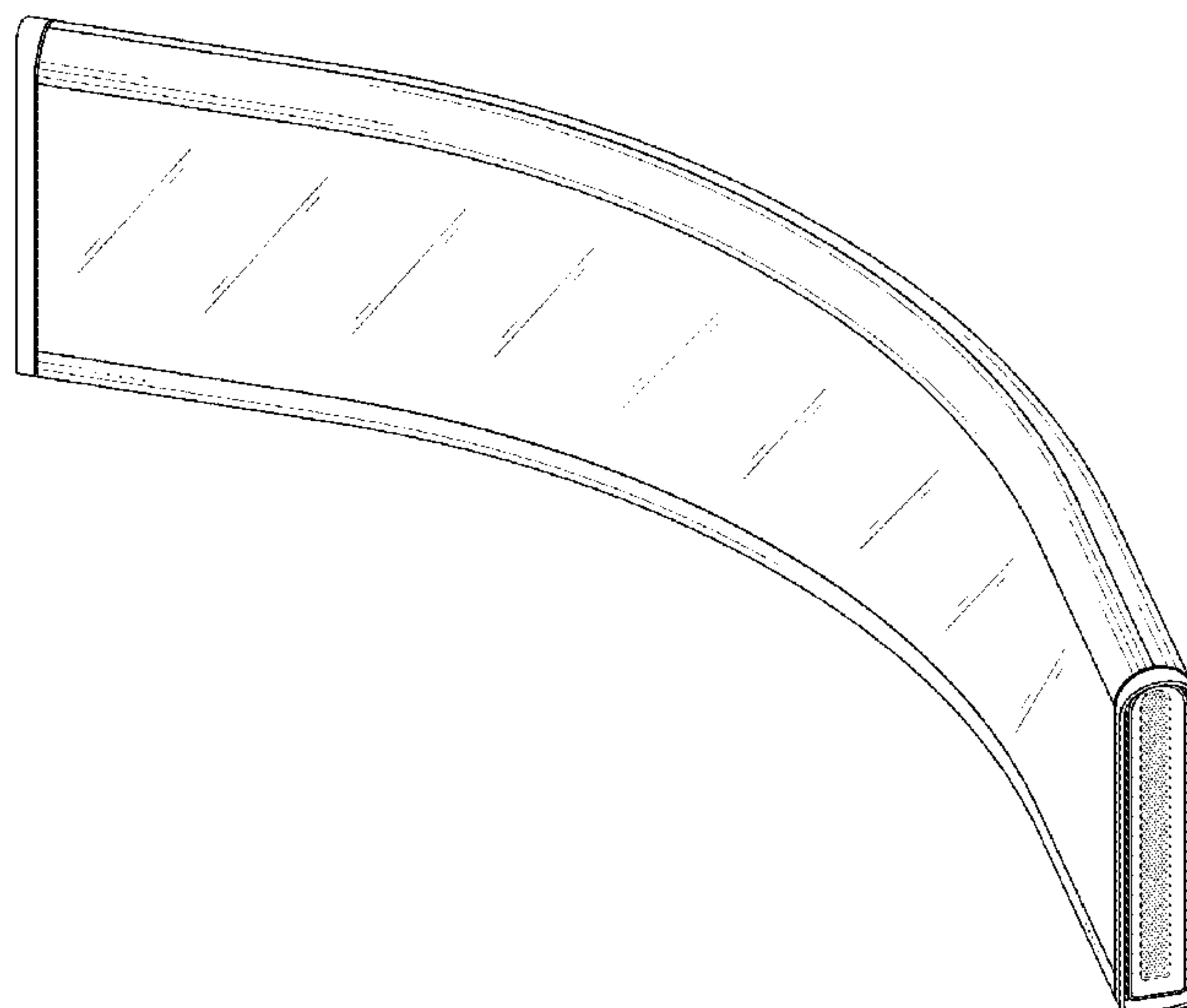
(57) **CLAIM**

The ornamental design for a bezel free display, as shown and described.

DESCRIPTION

FIG. 1 is a perspective view of a bezel free display.
FIG. 2 is a front elevational view thereof;
FIG. 3 is a rear elevational view thereof;
FIG. 4 is a left side elevational view thereof;
FIG. 5 is a right side elevational view thereof;
FIG. 6 is a top plan view thereof; and,
FIG. 7 is a bottom plan view thereof.

1 Claim, 7 Drawing Sheets



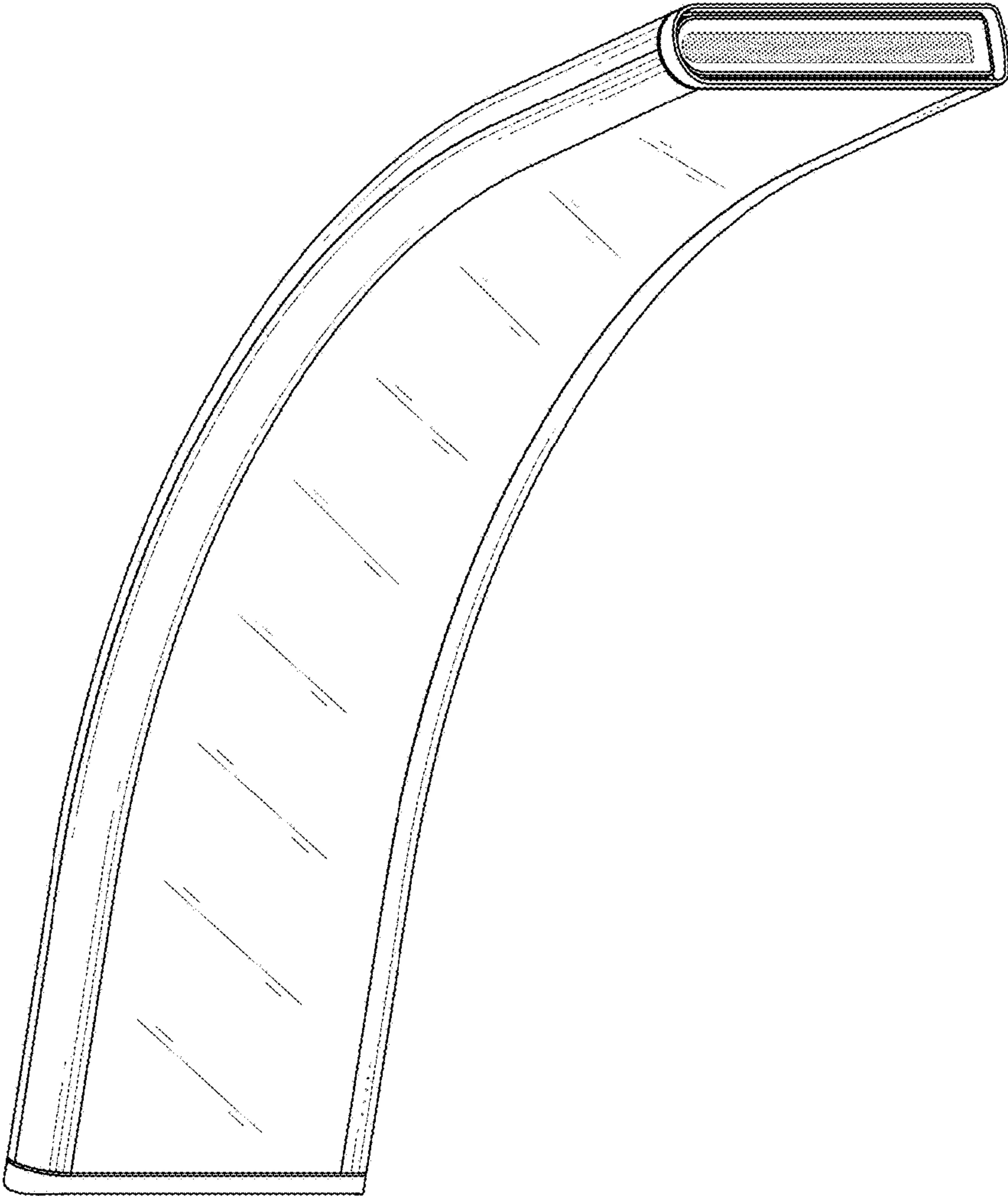


FIG. 1

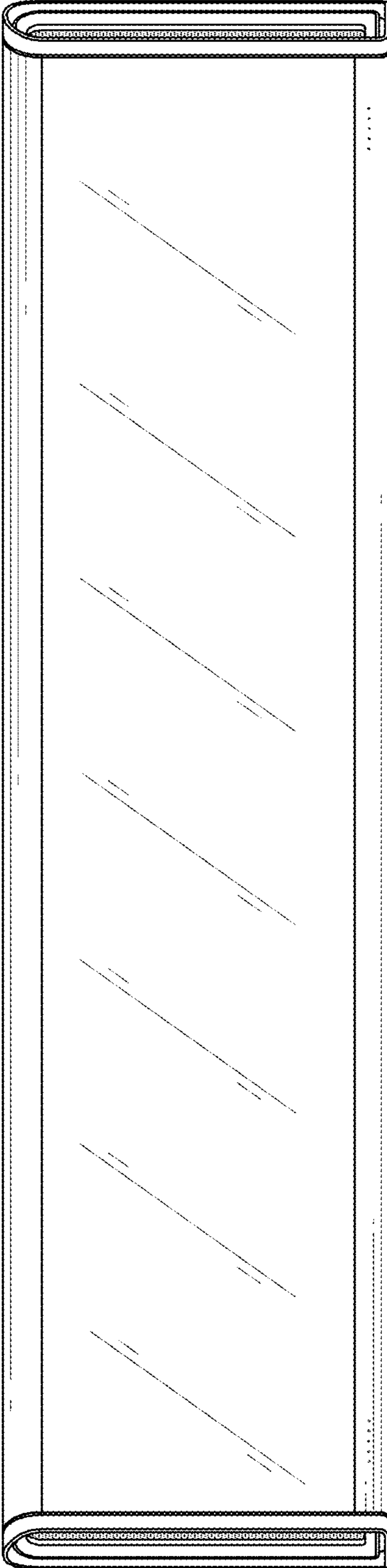


FIG. 2

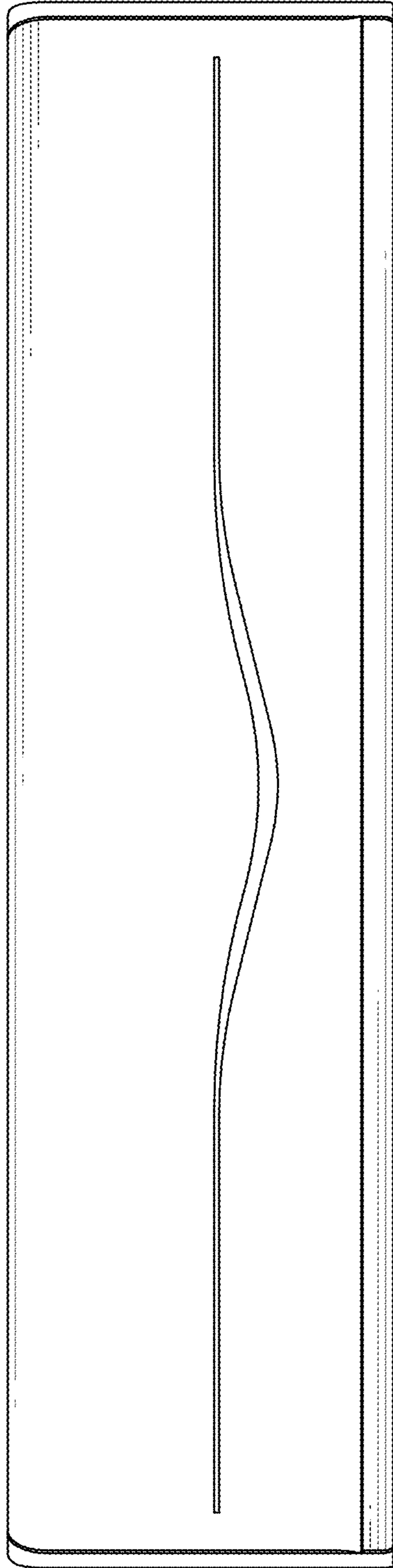


FIG. 3

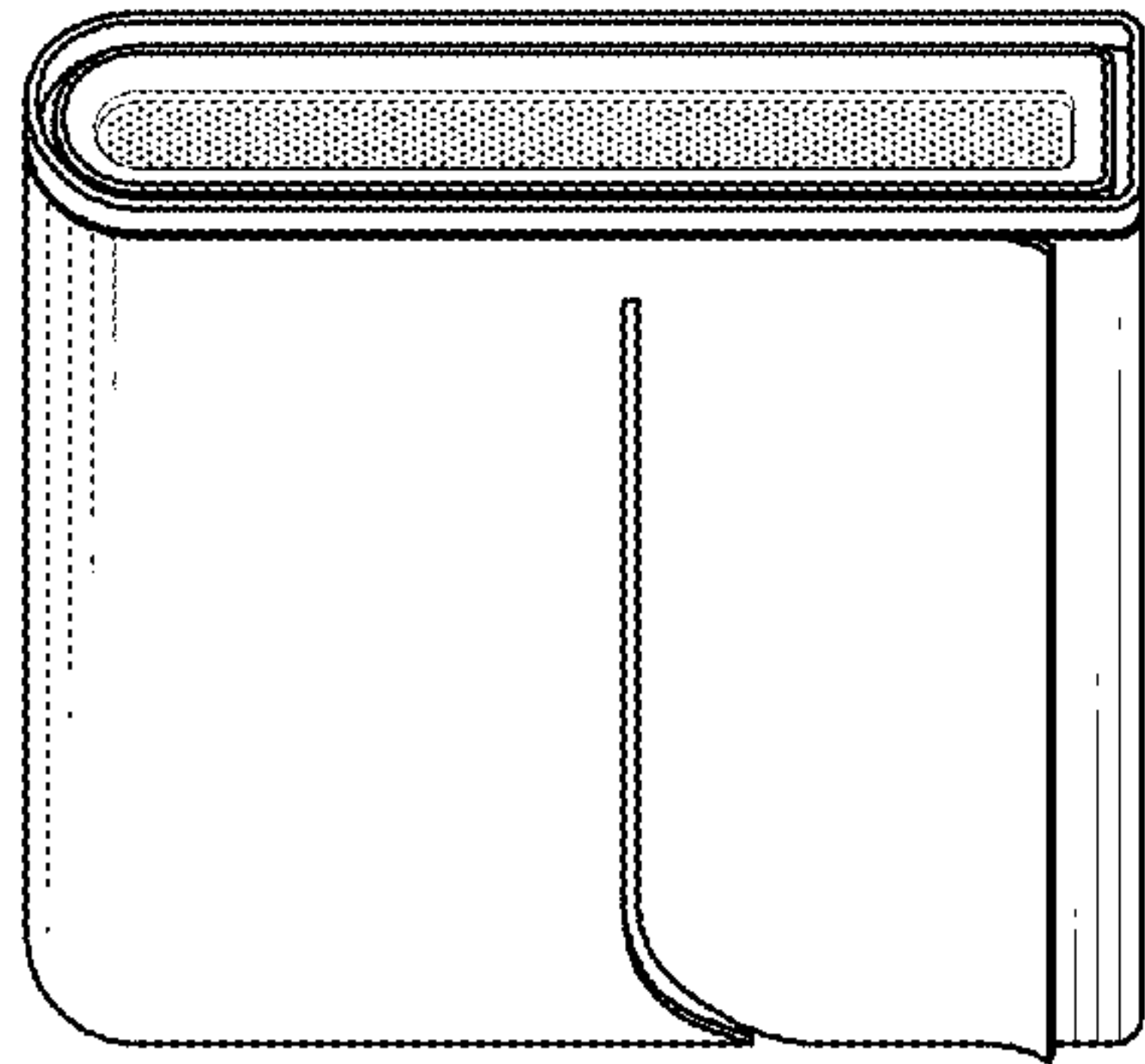


FIG. 4

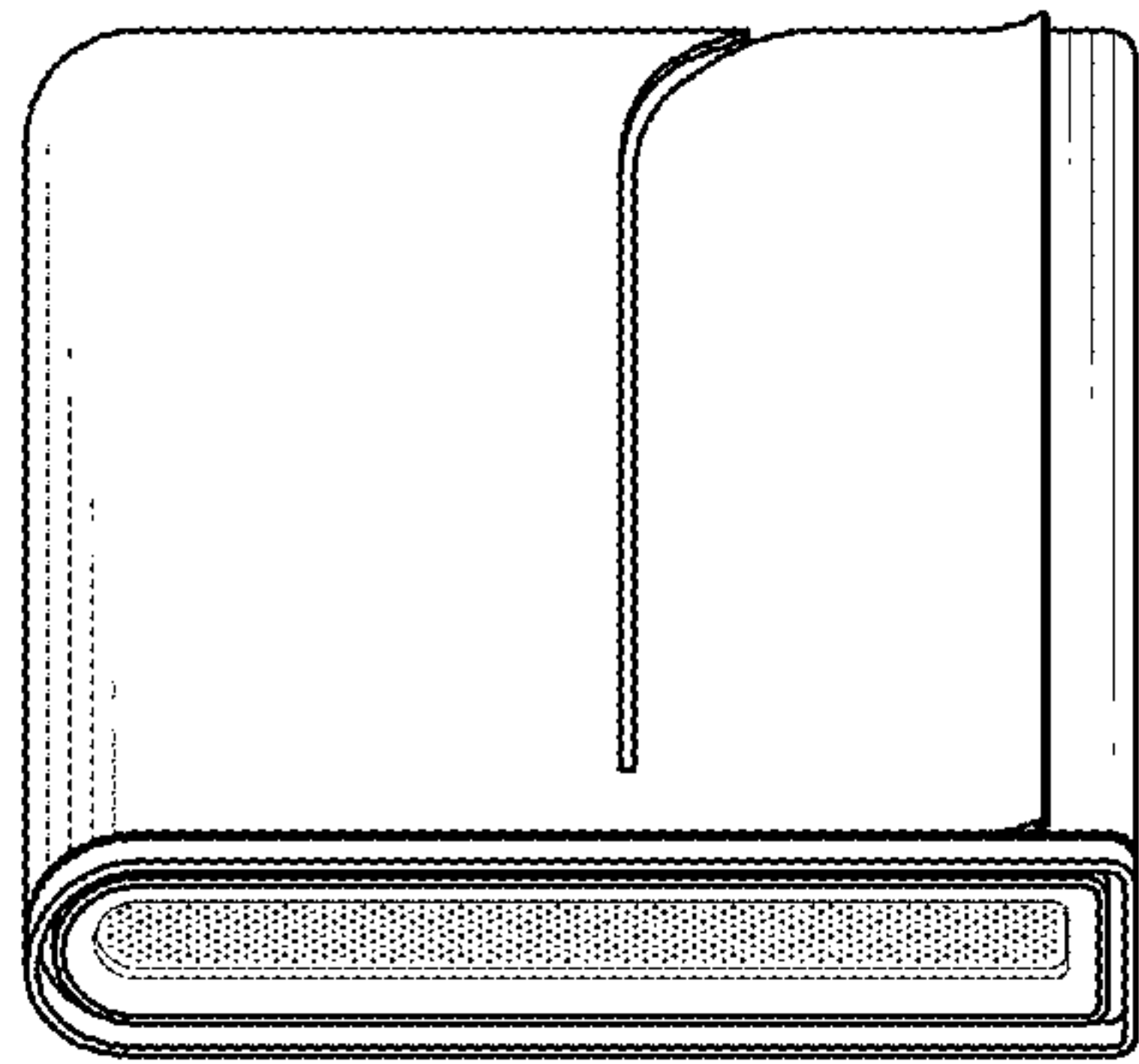


FIG. 5

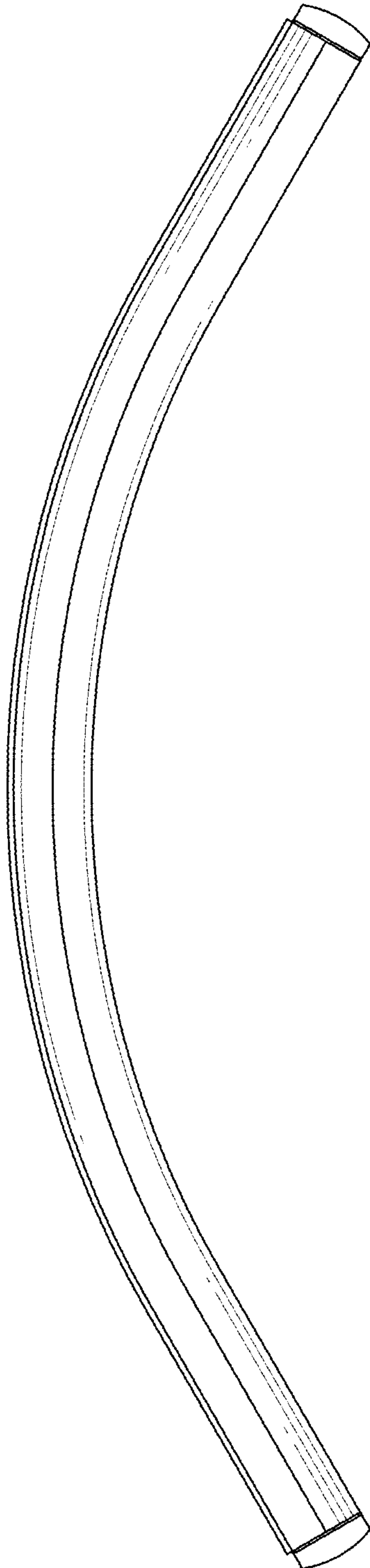


FIG. 6

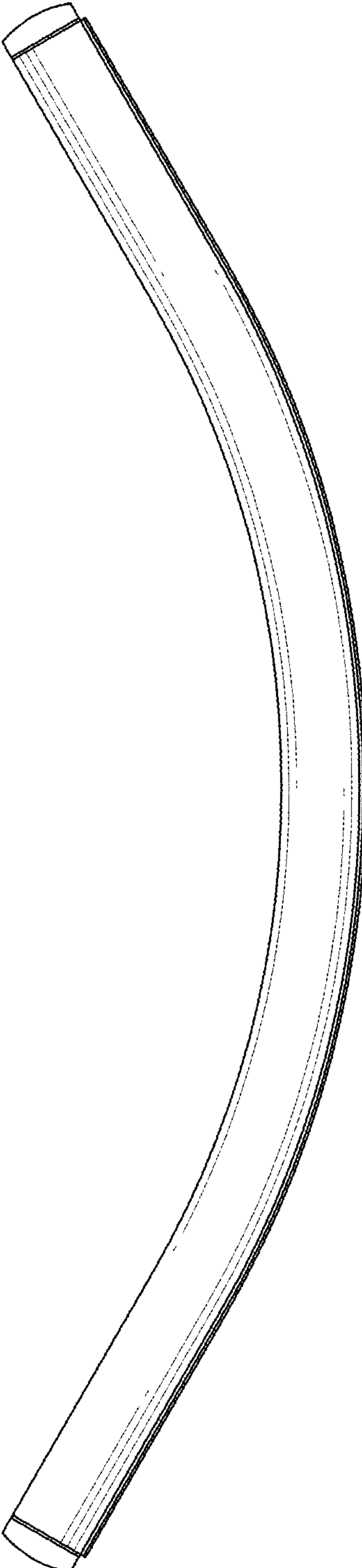


FIG. 7