



US00D786238S

(12) **United States Design Patent** (10) **Patent No.:** **US D786,238 S**
Roberts (45) **Date of Patent:** **** May 9, 2017**

(54) **TABLET COMPUTER**

(71) Applicant: **GOOGLE INC.**, Mountain View, CA (US)

(72) Inventor: **Rachael Elizabeth Roberts**, San Francisco, CA (US)

(73) Assignee: **GOOGLE INC.**, Mountain View, CA (US)

(**) Term: **14 Years**

(21) Appl. No.: **29/515,582**

(22) Filed: **Jan. 23, 2015**

(51) **LOC (10) Cl.** **14-02**

(52) **U.S. Cl.**
USPC **D14/341**

(58) **Field of Classification Search**
USPC D14/253, 440, 203.1, 203.4, 203.7,
D14/341-347, 337, 374, 138, 138 AB,
D14/496, 447, 315, 316, 455; D10/65;
D21/329, 330; D6/310
CPC G06F 3/016; G06F 3/0202; G06F 3/04845;
G06F 13/385; H04N 17/00; H04N 5/30;
H04N 5/66; H04N 5/2251; H04M 1/0214
See application file for complete search history.

(56) **References Cited**

U.S. PATENT DOCUMENTS

D504,889 S * 5/2005 Andre D14/341
D543,544 S 5/2007 Cheng
(Continued)

OTHER PUBLICATIONS

Hands on with the Pixel C: Google's flagship Android 6.0 tablet, announced Dec. 8, 2015 [online], [site visited Jan. 25, 2016]. Available from Internet, URL: <<http://www.zdnet.com/article/hands-on-with-the-pixel-c-googles-flagship-android-6-0-tablet/>>.*

(Continued)

Primary Examiner — Barbara Fox
Assistant Examiner — Dana K Weiland
(74) *Attorney, Agent, or Firm* — Brake Hughes Bellermann LLP

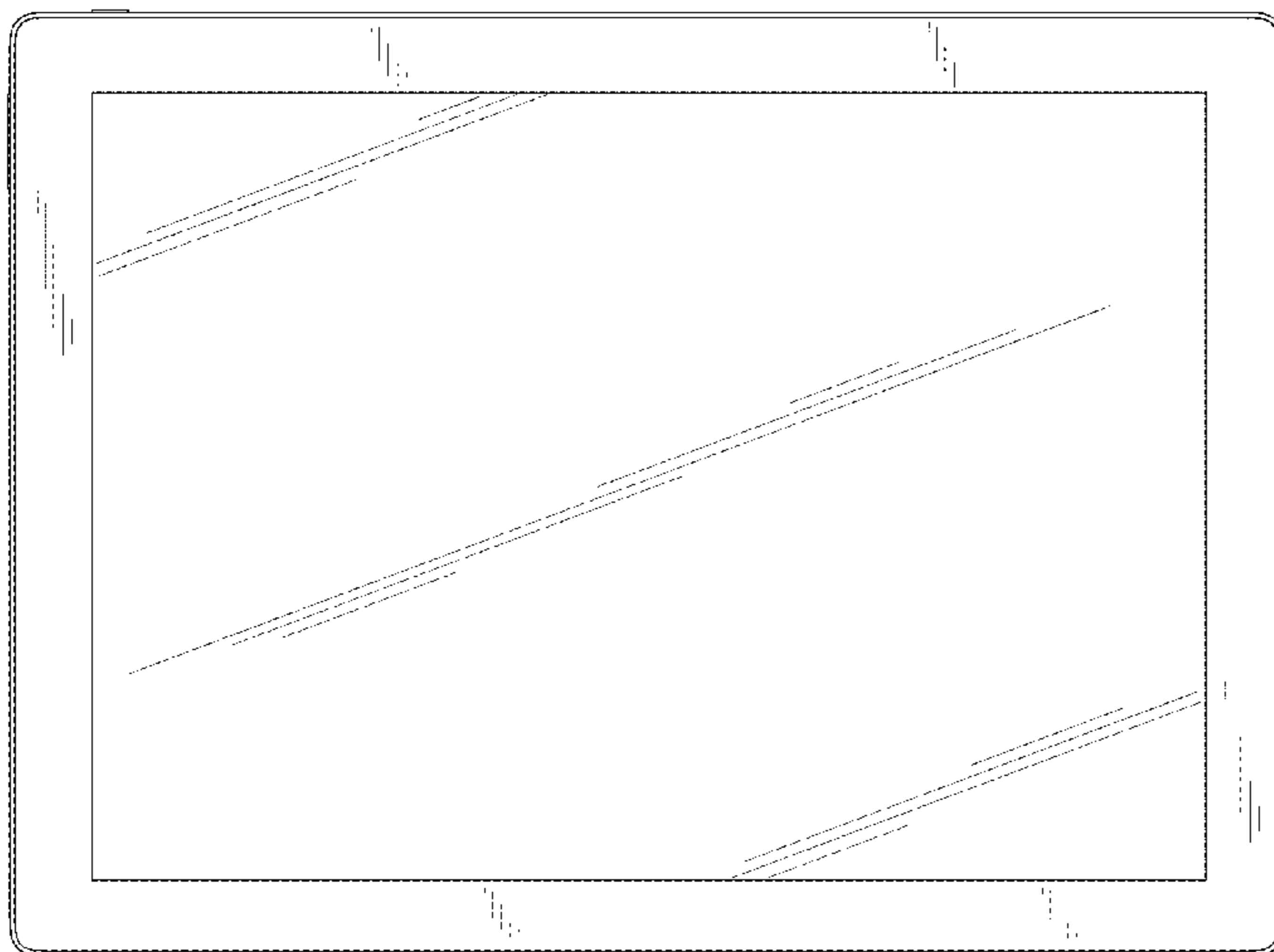
(57) **CLAIM**

What is claimed is the ornamental design for a tablet computer, as shown and described herein.

DESCRIPTION

FIG. 1 is a top perspective view of a tablet computer showing the new design in a first embodiment; FIG. 2 is a bottom perspective view thereof; FIG. 3 is a top view thereof; FIG. 4 is a bottom view thereof; FIG. 5 is a left-side view thereof; FIG. 6 is a right-side view thereof; FIG. 7 is a front-side view thereof; FIG. 8 is a rear-side view thereof. FIG. 9 is a top perspective view of a tablet computer showing the new design in a second embodiment; FIG. 10 is a bottom perspective view thereof; FIG. 11 is a top view thereof; FIG. 12 is a bottom view thereof; FIG. 13 is a left-side view thereof; FIG. 14 is a right-side view thereof; FIG. 15 is a front-side view thereof; FIG. 16 is a rear-side view thereof. FIG. 17 is a top perspective view of a tablet computer showing the new design in a third embodiment; FIG. 18 is a bottom perspective view thereof; FIG. 19 is a top view thereof; FIG. 20 is a bottom view thereof; FIG. 21 is a left-side view thereof; FIG. 22 is a right-side view thereof; FIG. 23 is a front-side view thereof; and, FIG. 24 is a rear-side view thereof. The broken lines in the drawings illustrate portions of the tablet computer that form no part of the claimed design.

1 Claim, 18 Drawing Sheets



(56)

References Cited

U.S. PATENT DOCUMENTS

D616,886 S 6/2010 Andre et al.
 D633,498 S 3/2011 Andre et al.
 D636,769 S * 4/2011 Wood D14/341
 D649,543 S 11/2011 Tseng et al.
 D654,074 S * 2/2012 Wood D14/341
 D665,370 S 8/2012 Chung
 D667,406 S 9/2012 Jitkoff
 D667,407 S 9/2012 Jitkoff
 D671,514 S * 11/2012 Kim D14/138 G
 D672,360 S 12/2012 Lee et al.
 8,363,391 B2 1/2013 Kim et al.
 8,385,057 B2 2/2013 Liu et al.
 D678,883 S 3/2013 Lim et al.
 D682,274 S 5/2013 Gengler
 D687,820 S * 8/2013 Kim D14/341
 D690,302 S 9/2013 Park
 D693,789 S * 11/2013 Ryu D14/138 G
 D695,291 S 12/2013 Andre et al.
 D696,246 S * 12/2013 Kim D14/341
 D697,065 S * 1/2014 Kim D14/138 AD
 D697,913 S 1/2014 Park
 D698,356 S 1/2014 Park
 D700,164 S * 2/2014 Park D14/138 G
 D712,400 S * 9/2014 Kim D14/341
 D714,751 S * 10/2014 Kim D14/138 G
 D714,752 S * 10/2014 Im D14/138 G
 D715,795 S * 10/2014 McManigal D14/341

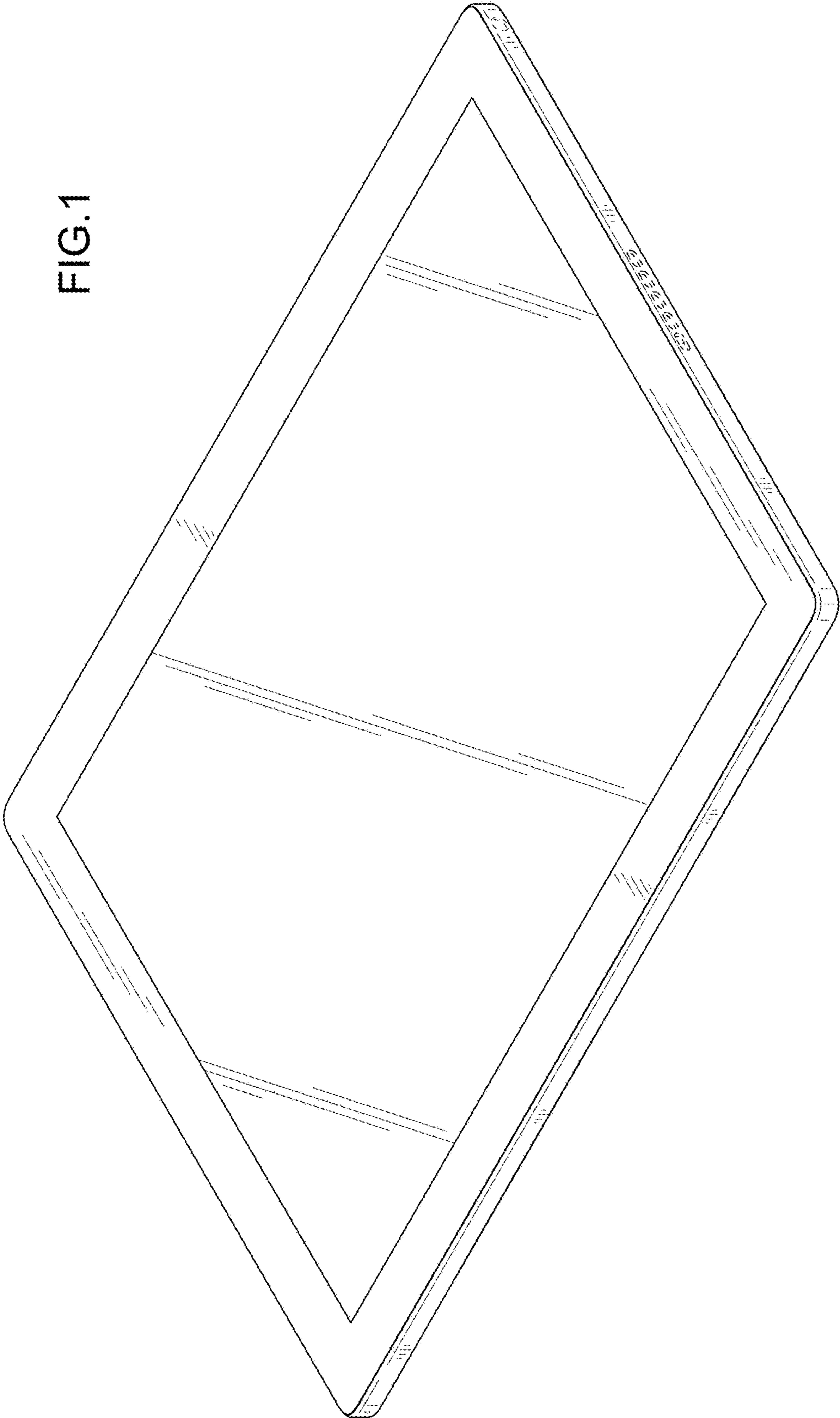
D736,203 S * 8/2015 Kim D14/341
 D736,763 S * 8/2015 Yum D14/341
 D737,793 S * 9/2015 Lee D14/138 G
 D739,403 S * 9/2015 David D14/341
 D754,655 S * 4/2016 Groene D14/341
 D757,023 S 5/2016 Bowers et al.
 D757,024 S 5/2016 Bowers et al.
 D757,715 S * 5/2016 Choi D14/341
 D760,714 S * 7/2016 Harenstam D14/341
 D763,847 S * 8/2016 Lee D14/341
 D764,431 S * 8/2016 Hibi D14/138 G
 D767,562 S * 9/2016 Jang D14/341
 D771,620 S * 11/2016 Kim D14/341
 D774,031 S * 12/2016 Otani D14/341
 RE46,259 E * 1/2017 Kim D14/374
 D776,654 S * 1/2017 Yokota D14/341
 2003/0016209 A1 1/2003 Narusawa et al.
 2004/0257247 A1 12/2004 Lin et al.
 2013/0225249 A1 8/2013 Jiang et al.

OTHER PUBLICATIONS

Google Pixel C review: A killer Android tablet with an unfulfilled productivity mission, announced Dec. 8, 2015 [online], [site visited Jan. 25, 2016]. Available from Internet, URL: <<http://www.greenbot.com/article/3012675/android/google-pixel-c-review.html>>.*

* cited by examiner

FIG.1



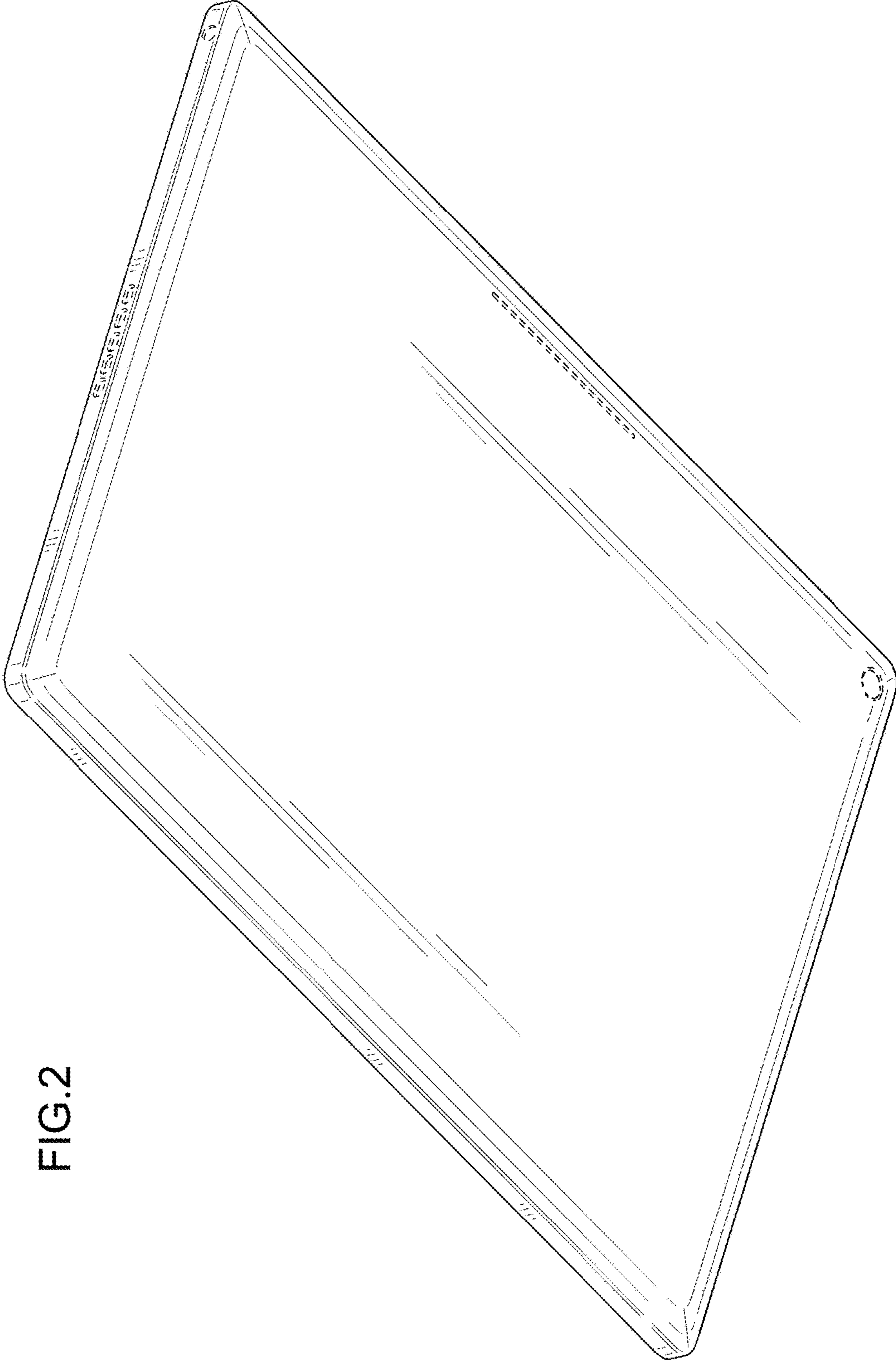


FIG.2

FIG.3

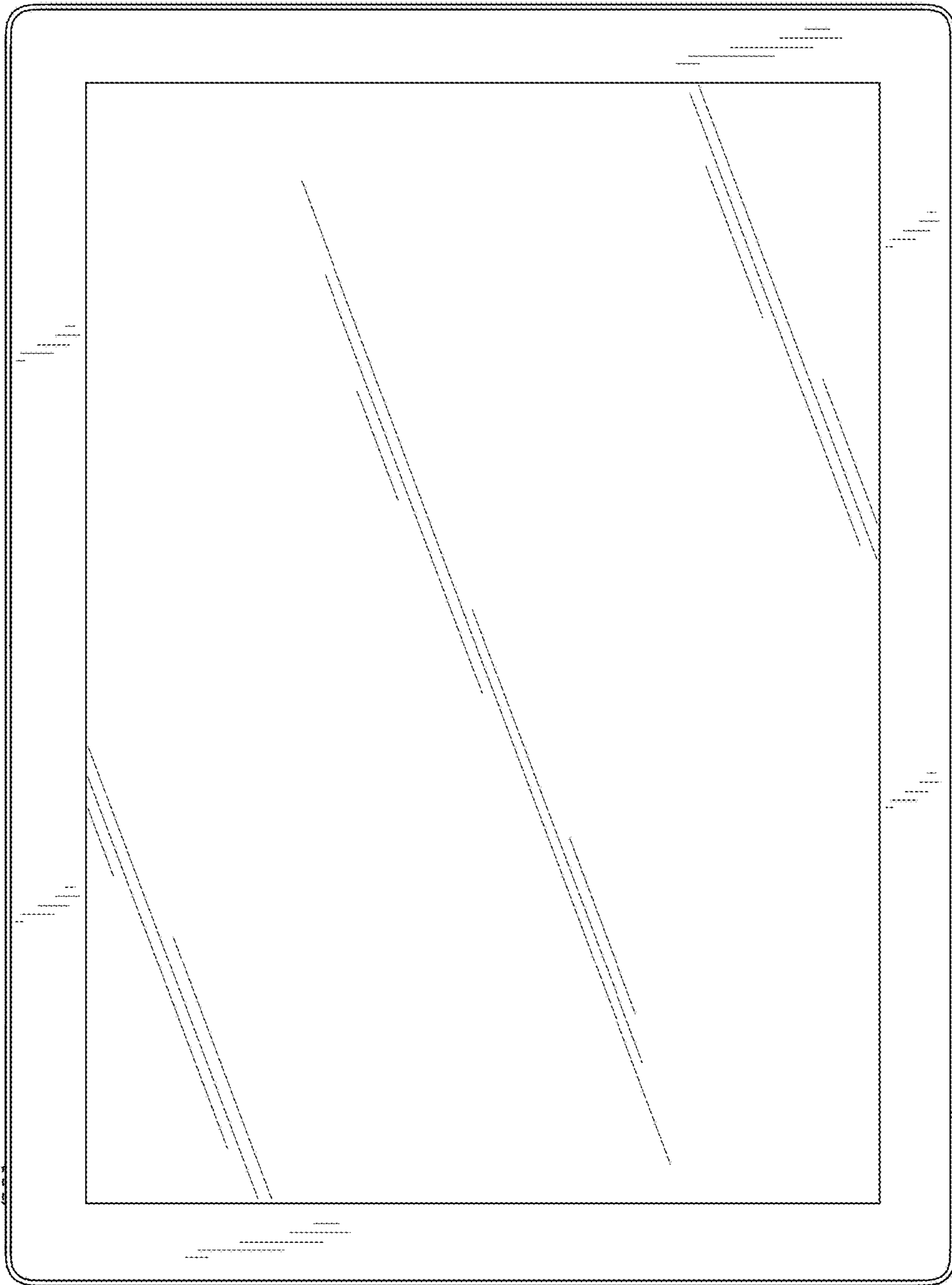


FIG.4

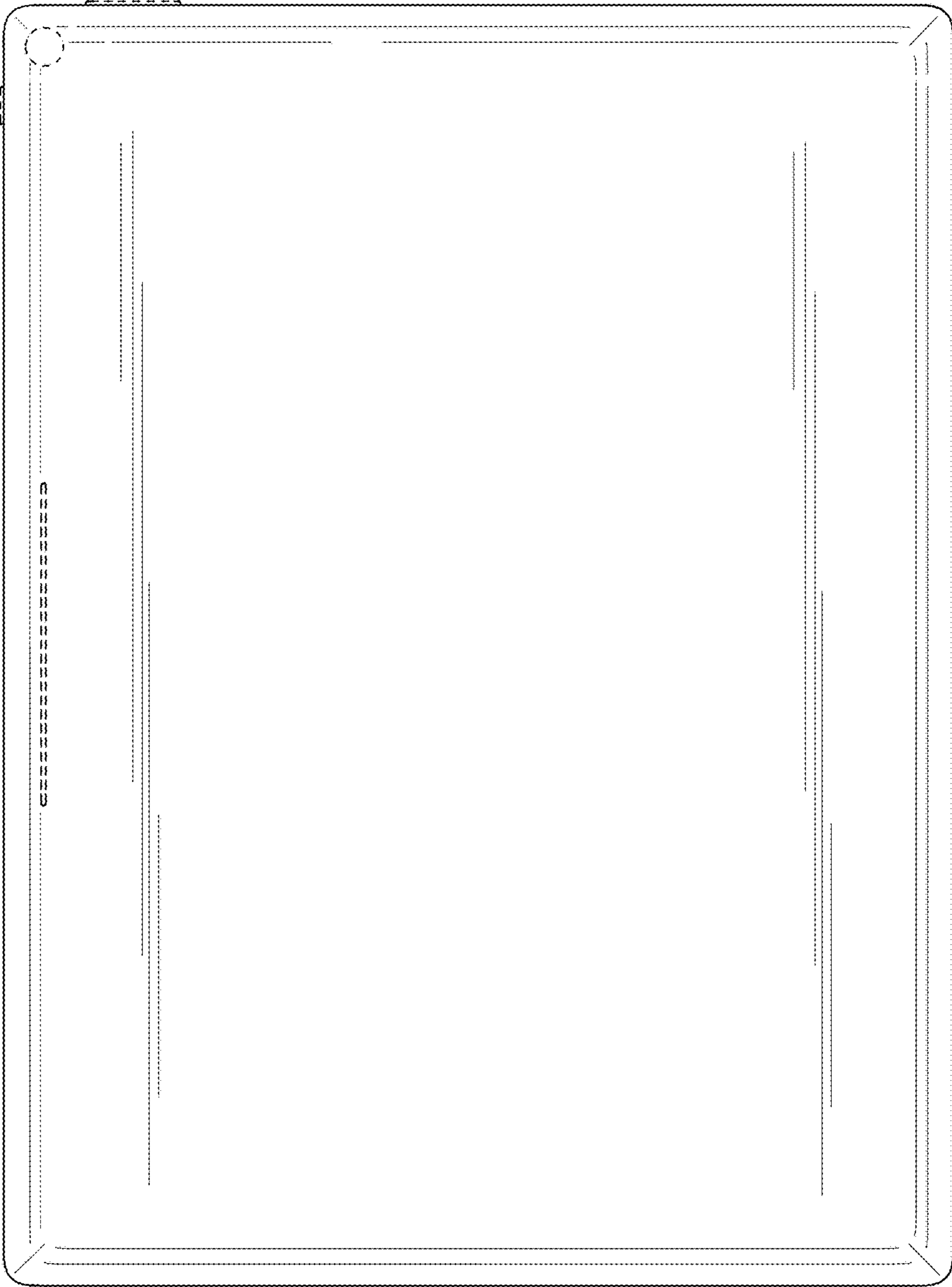


FIG.5

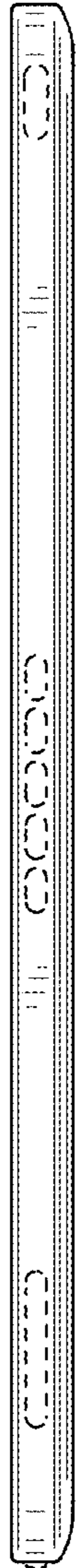


FIG.6



FIG.7



FIG.8

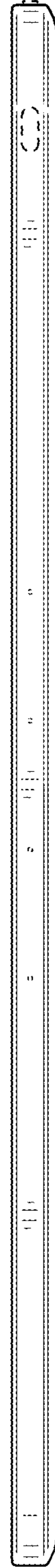
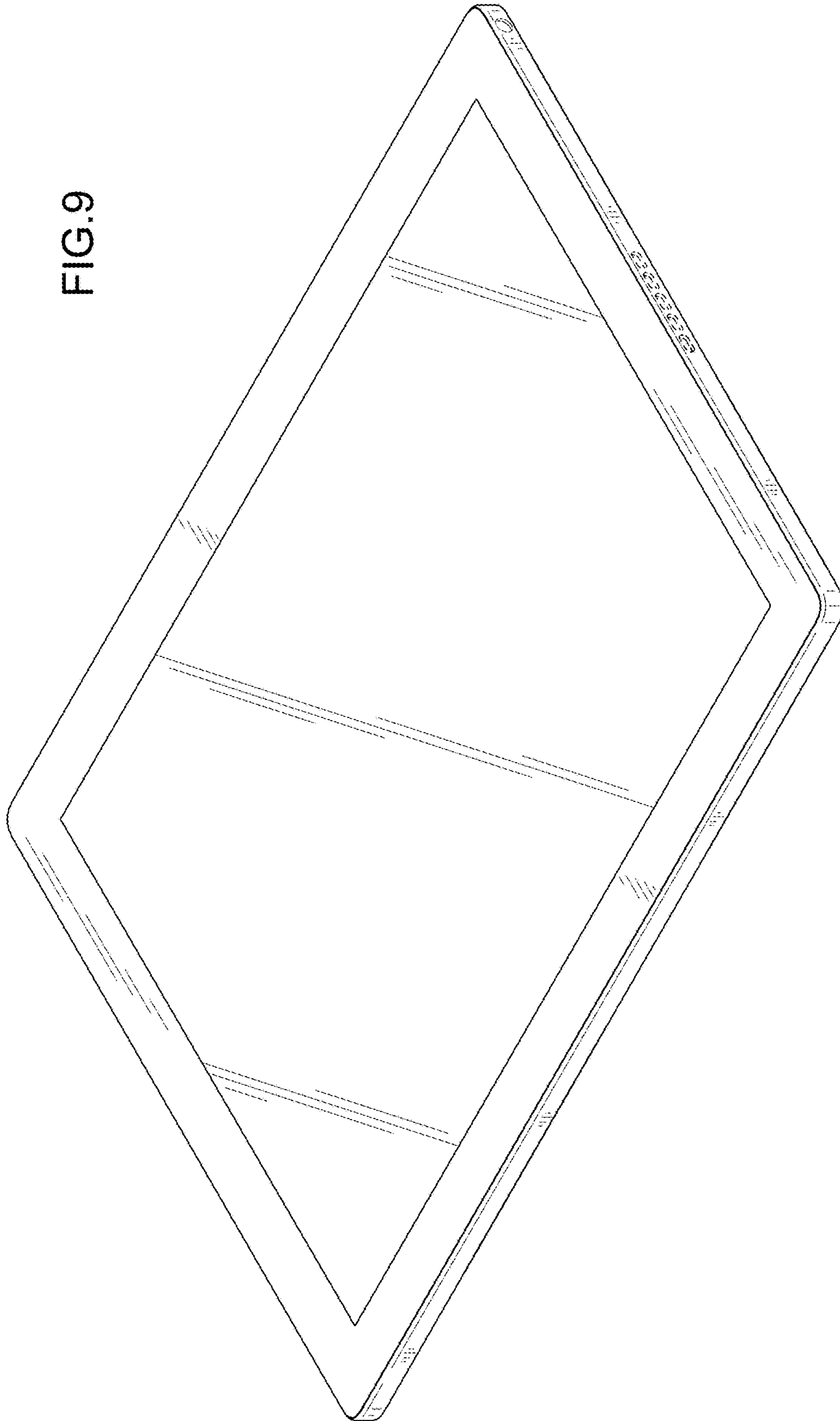


FIG.9



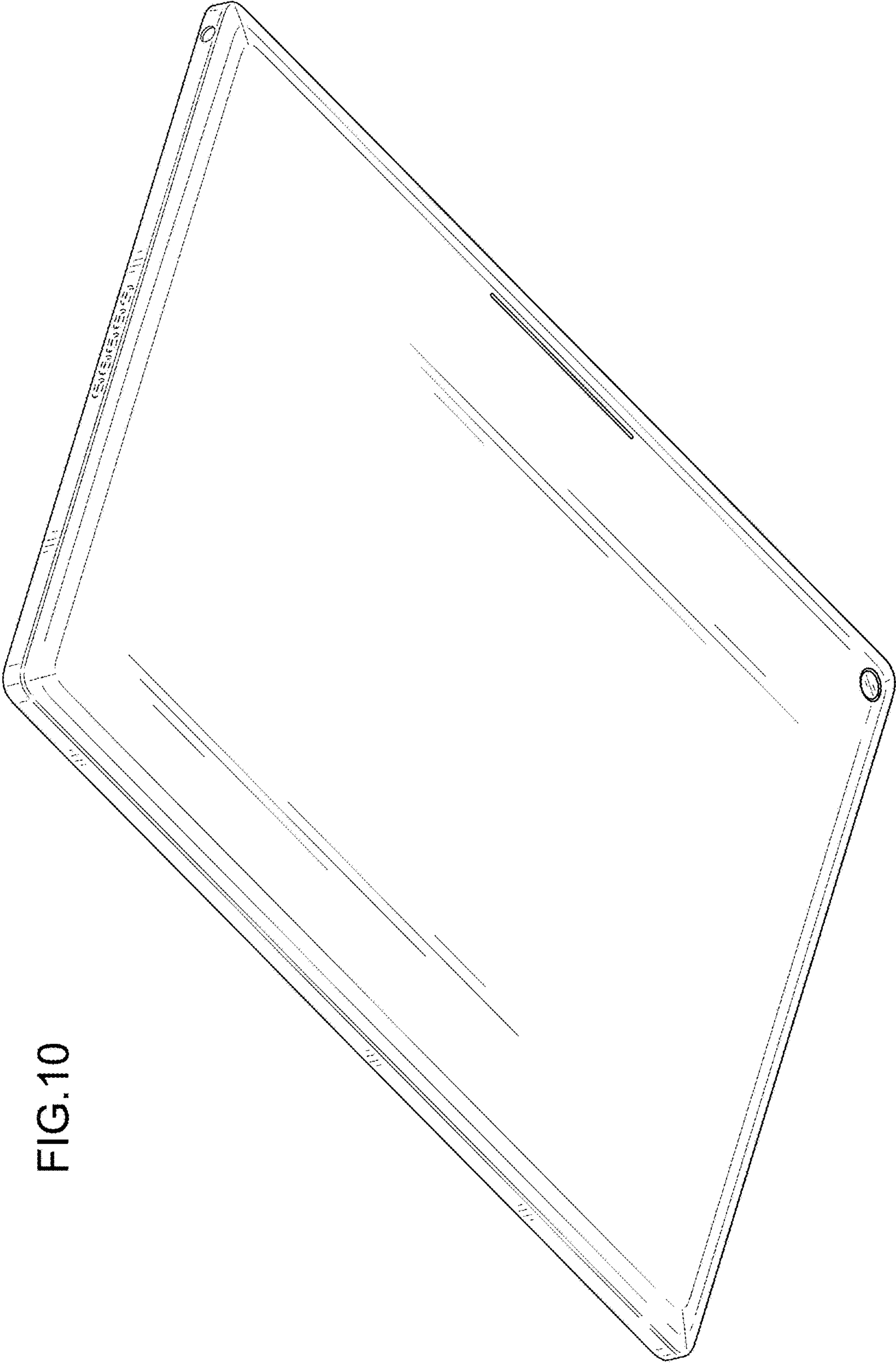


FIG.10

FIG.11

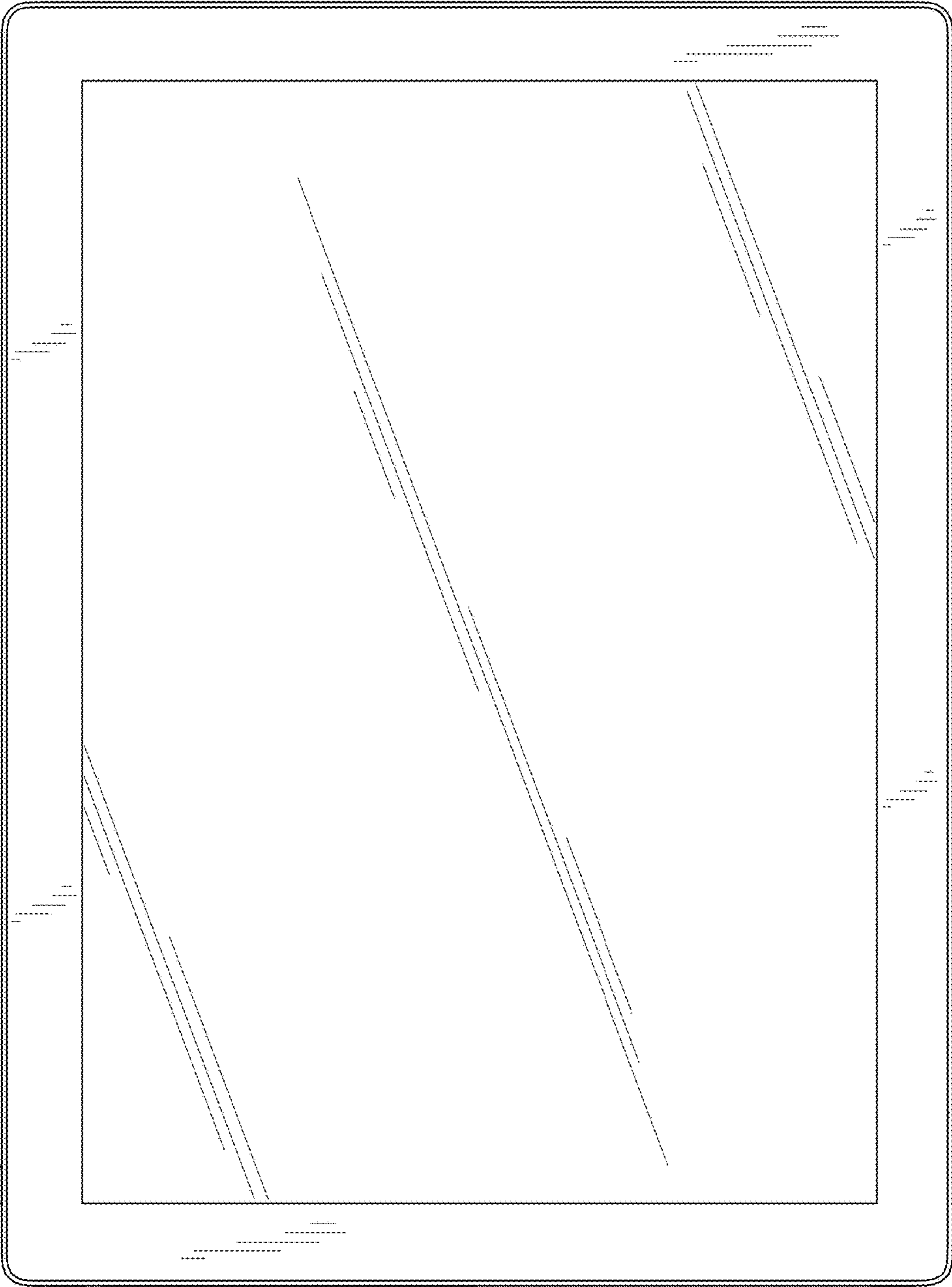


FIG.12

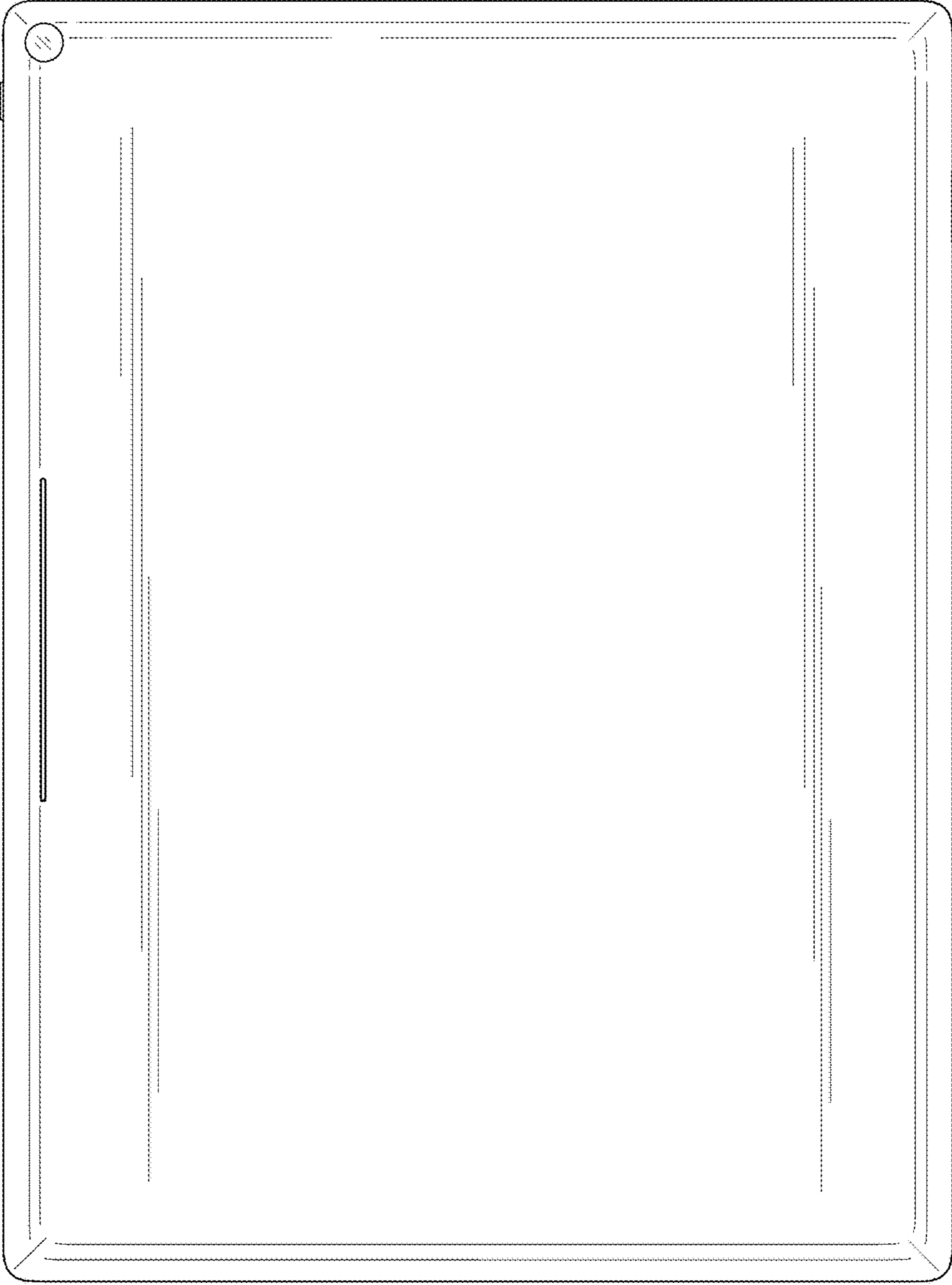


FIG.13



FIG.14



FIG.15

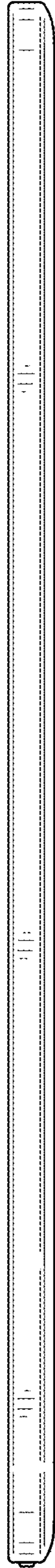


FIG.16

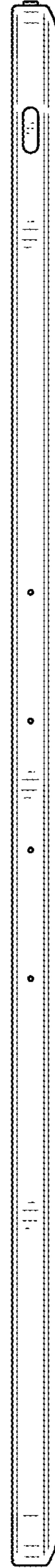
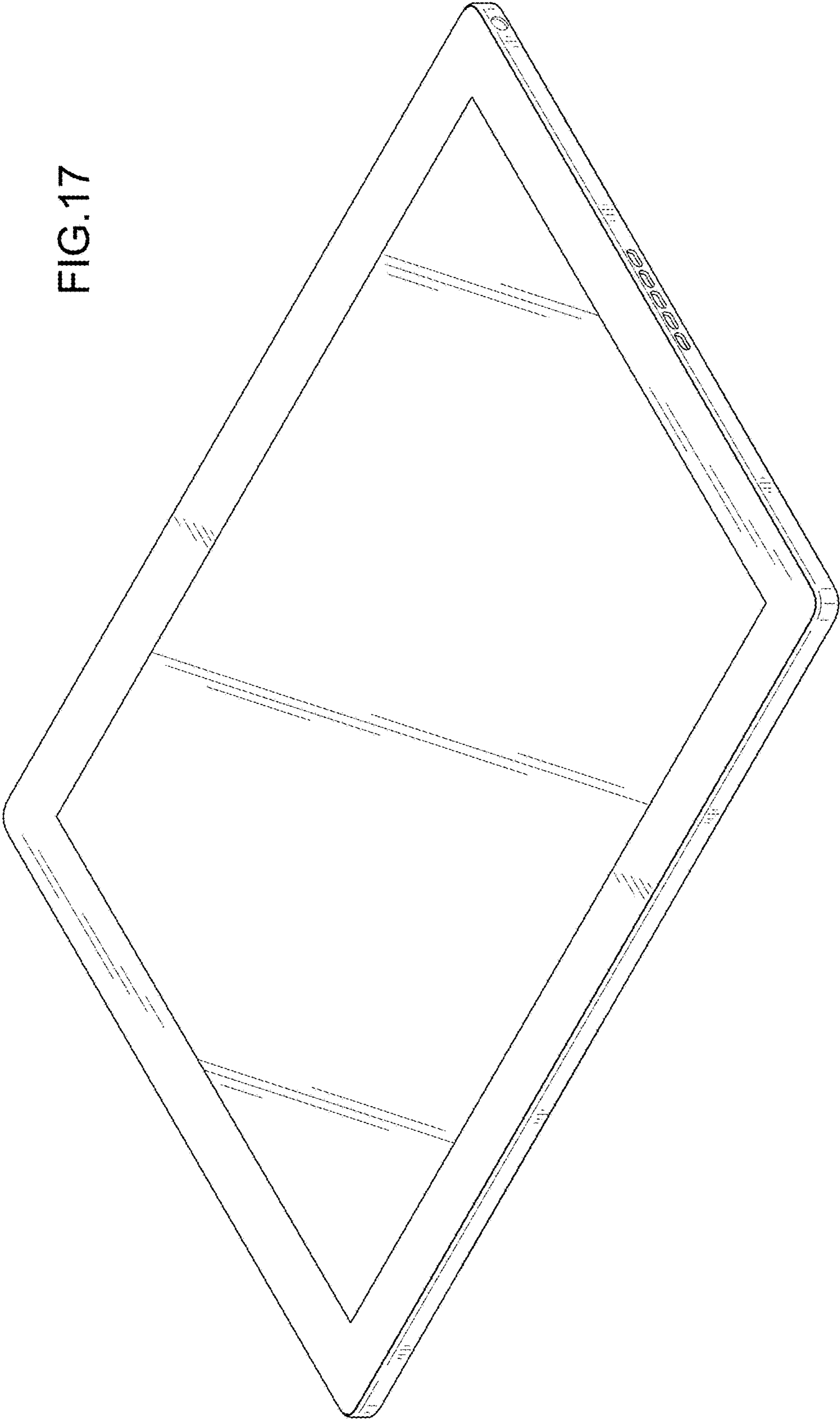


FIG.17



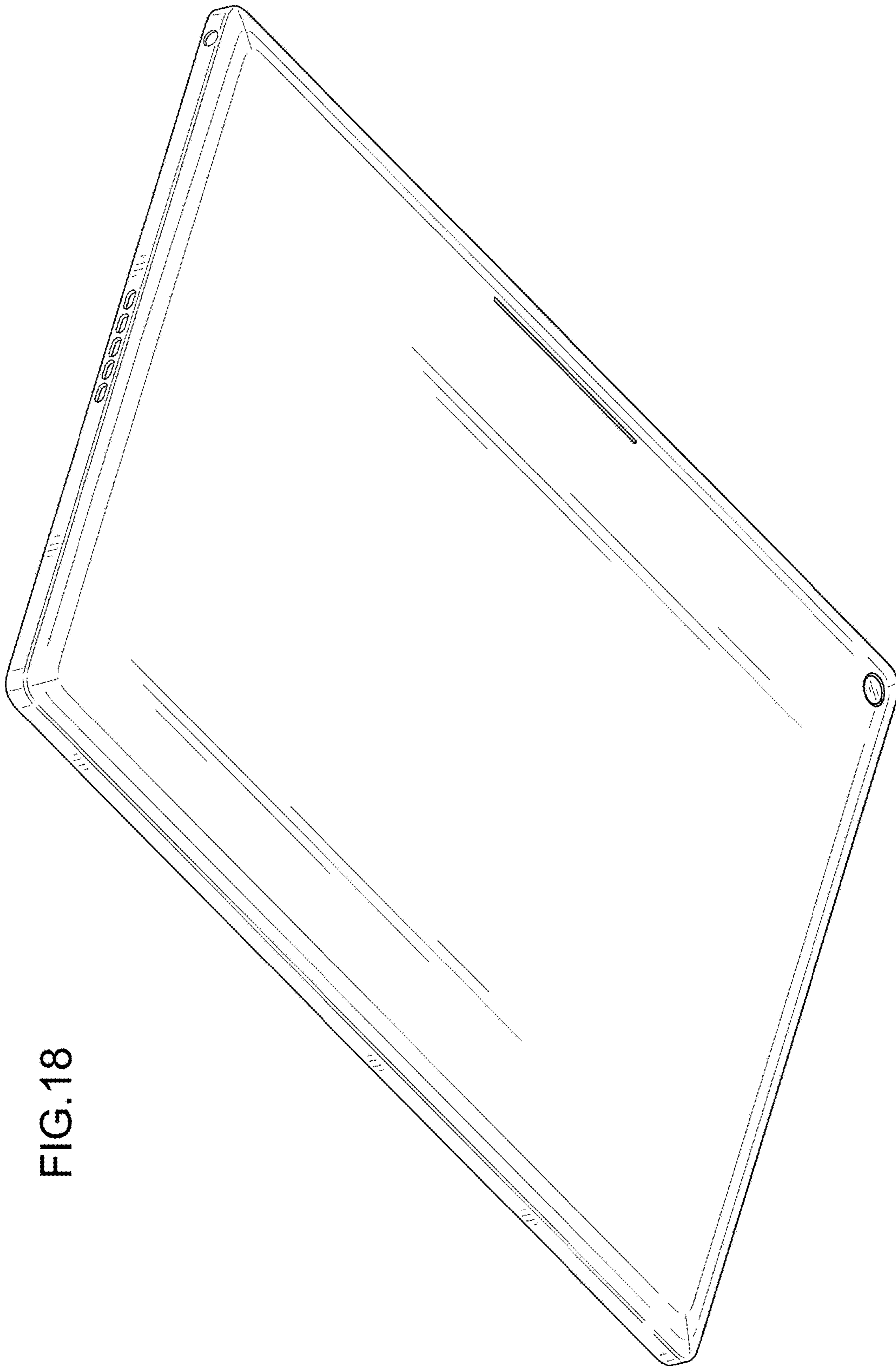


FIG.18

FIG.19

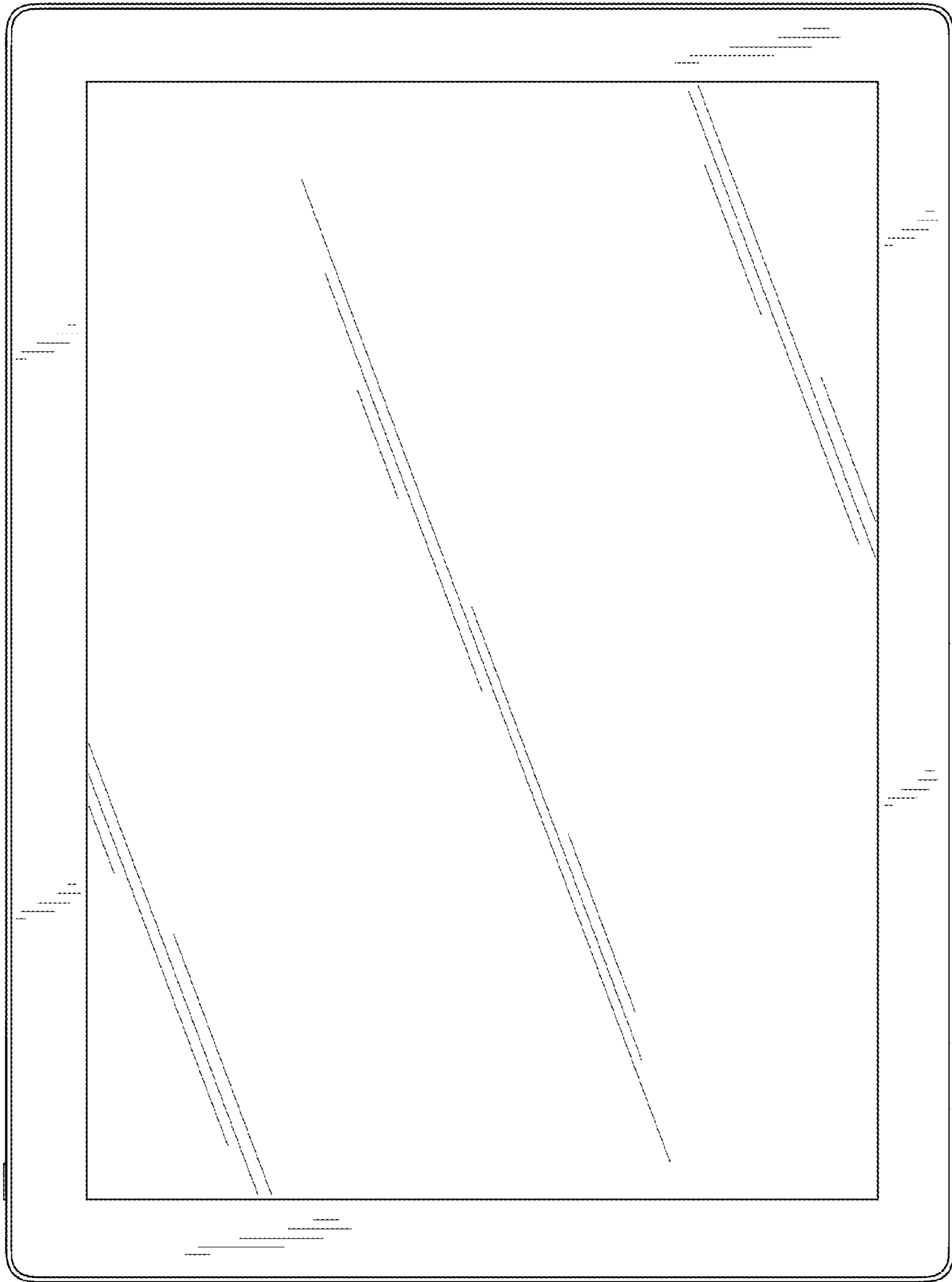


FIG.20

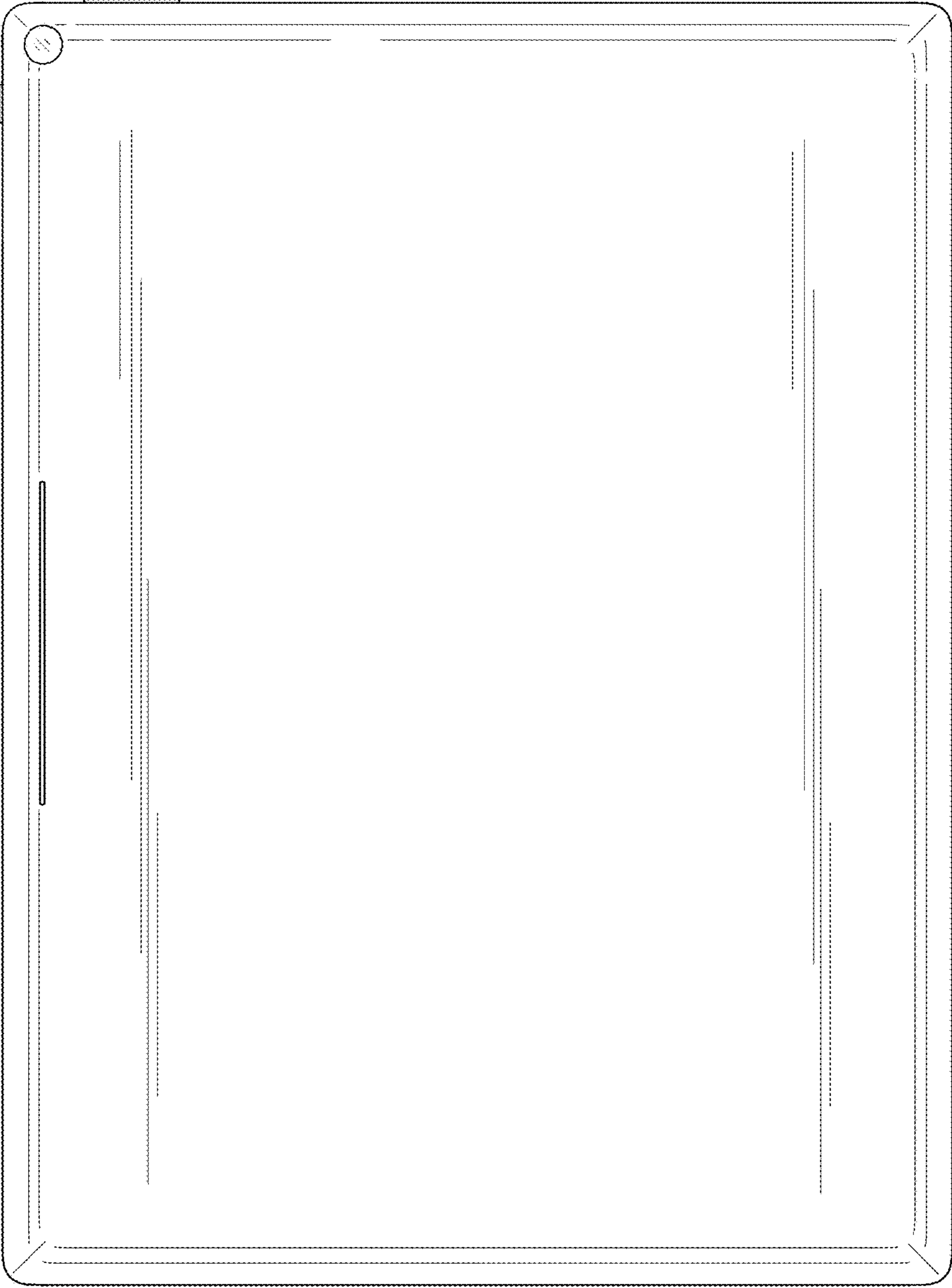


FIG.21



FIG.22



FIG.23

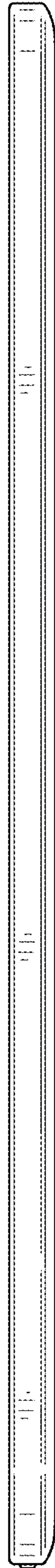


FIG.24

