



US00D786237S

(12) **United States Design Patent** (10) **Patent No.:** **US D786,237 S**
Ju (45) **Date of Patent:** **** May 9, 2017**

(54) **RUGGED NOTEBOOK COMPUTER**

(56) **References Cited**

(71) Applicant: **Getac Technology Corporation,**
Hsinchu County (TW)

(72) Inventor: **Shuan-Yeong Ju,** Taipei (TW)

(73) Assignee: **GETAC TECHNOLOGY**
CORPORATION, Hsinchu (TW)

(**) Term: **15 Years**

(21) Appl. No.: **29/551,076**

(22) Filed: **Jan. 11, 2016**

(51) **LOC (10) Cl.** **14-02**

(52) **U.S. Cl.**
USPC **D14/315**

(58) **Field of Classification Search**
USPC D14/315-327; D18/1, 2, 7, 11;
235/145 A, 145 R; 341/22, 23; 345/104,
345/156, 168, 169, 173; 361/679.08,
361/679.09, 679.11, 679.26, 679.27
CPC G06F 1/16; G06F 1/1616; G06F 1/1626;
G06F 1/1632; G06F 1/1613; G06F
1/1601; G06F 1/1618; G06F 1/162; G06F
1/166; G06F 1/1654; G06F 1/1681; G06F
1/1637; G06F 1/1688; G06F 1/1656;
H01R 35/02; H03M 11/00; G09B 13/04;
H03K 17/94; G09G 5/00; F16M 11/10;
H05K 5/00; H04M 1/0237

See application file for complete search history.

U.S. PATENT DOCUMENTS

D558,754	S	*	1/2008	Takemasa	D14/328
D572,479	S	*	7/2008	Buck	D3/282
D623,648	S	*	9/2010	Hsu	D14/324
D624,069	S	*	9/2010	Peng	D14/324
D649,149	S	*	11/2011	Peng	D14/315
D673,557	S	*	1/2013	Cruz	D14/315
D702,679	S	*	4/2014	Li	D14/324
2004/0112776	A1	*	6/2004	Lord	G06F 1/1616 206/320
2011/0310553	A1	*	12/2011	Hsiao	G06F 1/1656 361/679.55

* cited by examiner

Primary Examiner — Freda S Nunn

(74) *Attorney, Agent, or Firm* — Locke Lord LLP; Tim Tingkang Xia, Esq.

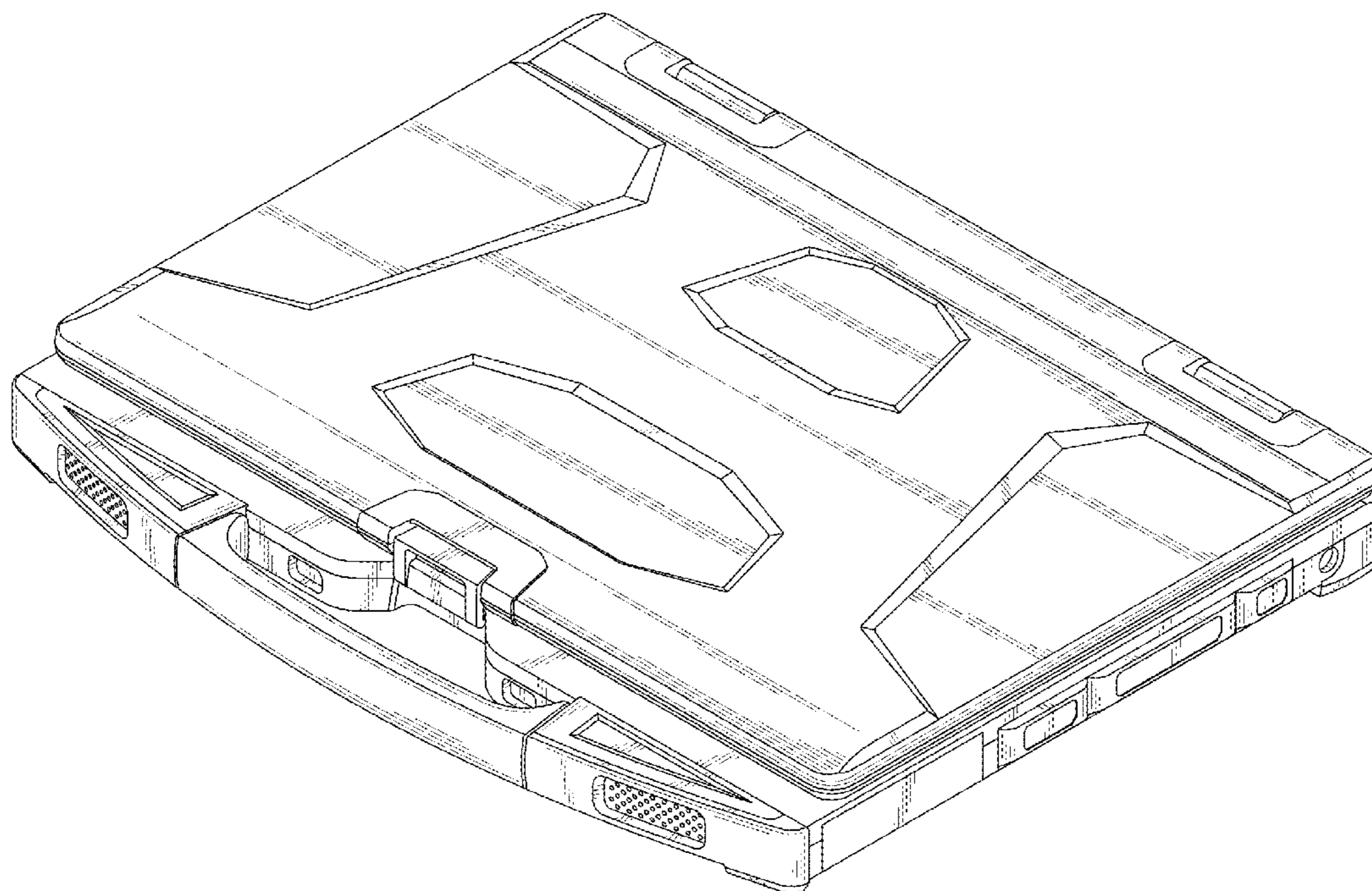
(57) **CLAIM**

The ornamental design for a rugged notebook computer, as shown and described.

DESCRIPTION

FIG. 1 is a front, top, right side perspective view of a rugged notebook computer showing my new design;
FIG. 2 is a front, bottom, right side perspective view thereof;
FIG. 3 is a rear, bottom, left side perspective view thereof;
FIG. 4 is a front view thereof;
FIG. 5 is a rear view thereof;
FIG. 6 is a left side view thereof;
FIG. 7 is a right side view thereof;
FIG. 8 is a top view thereof; and,
FIG. 9 is a bottom view thereof.

1 Claim, 7 Drawing Sheets



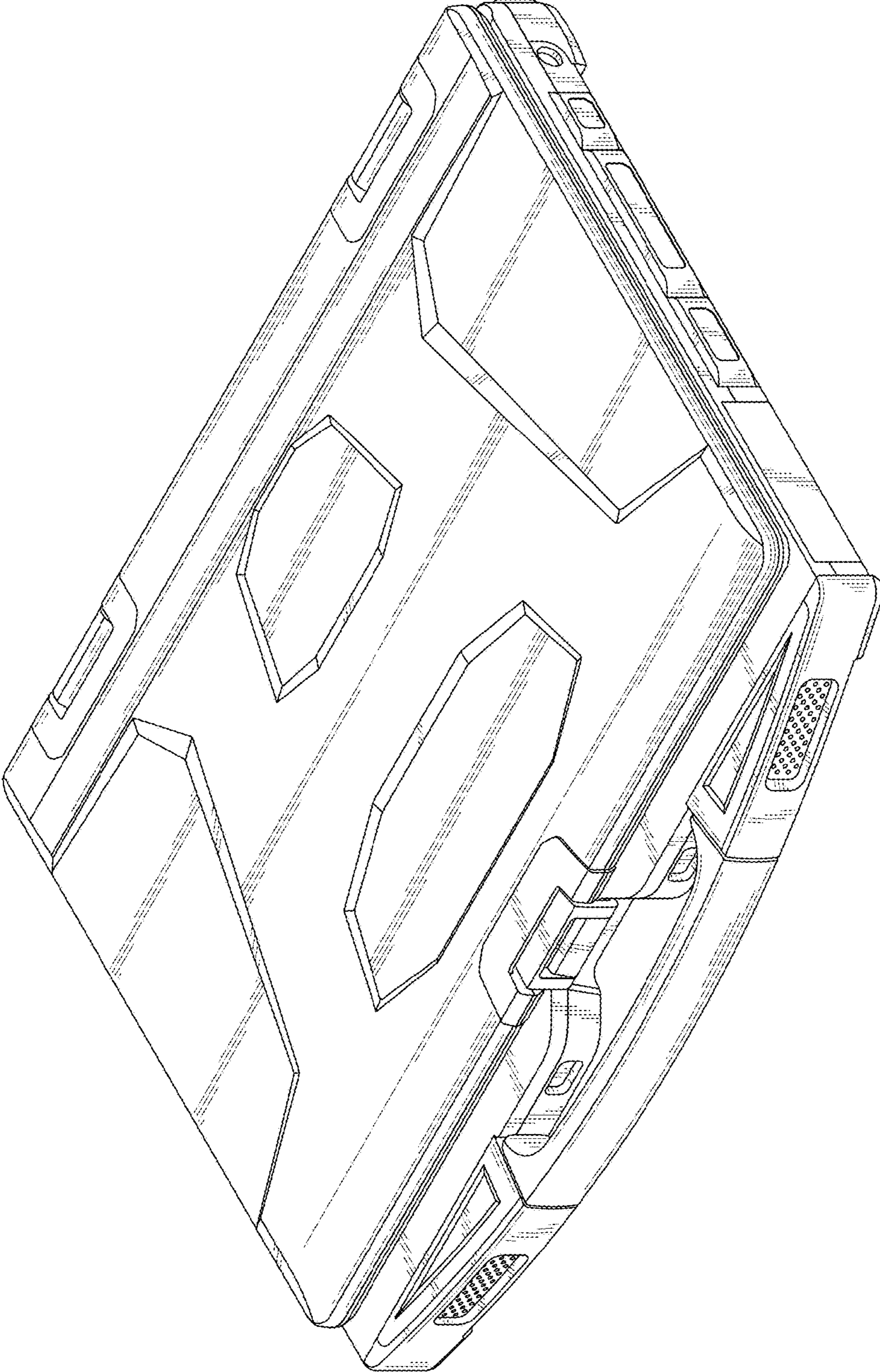


FIG. 1

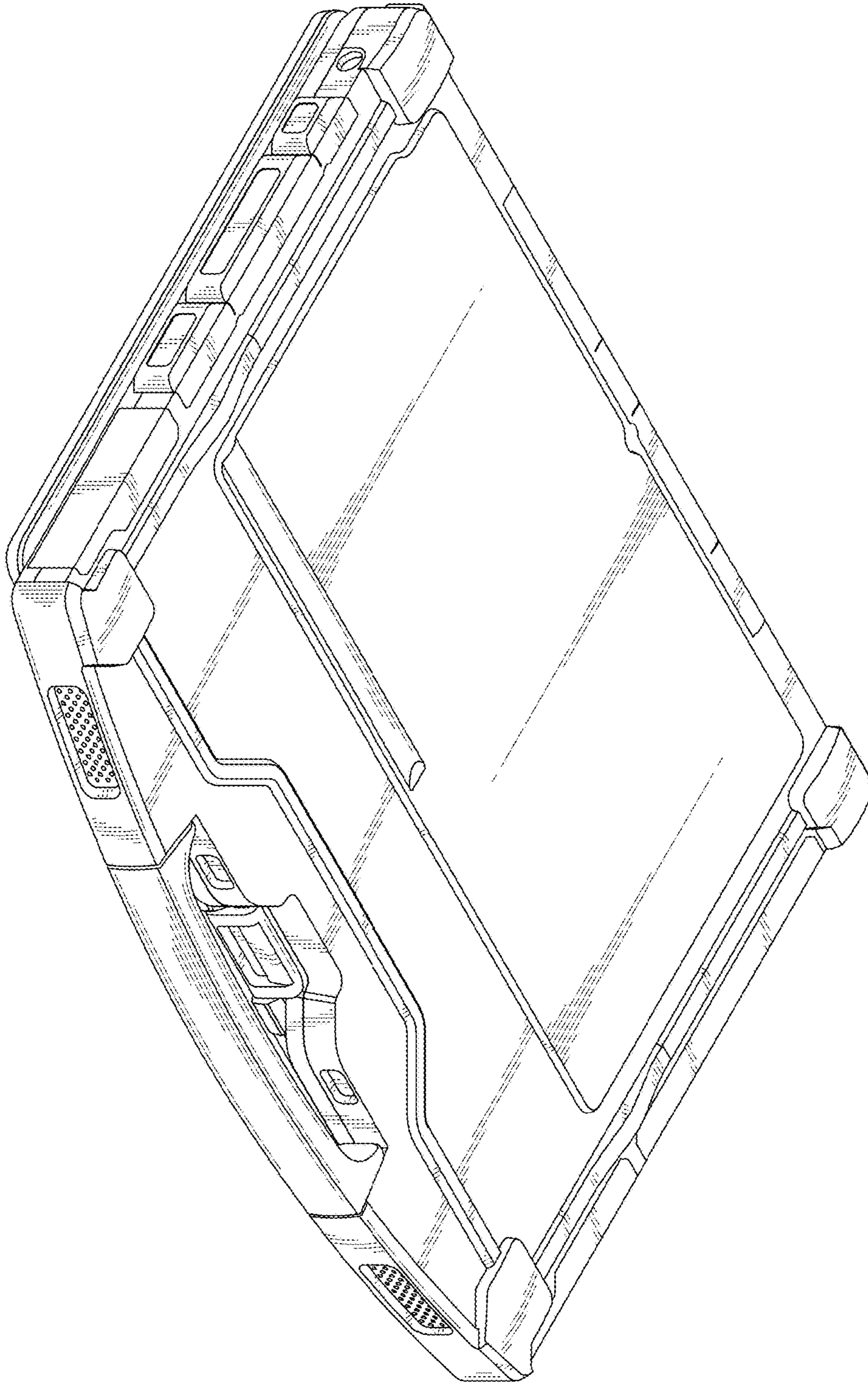


FIG. 2

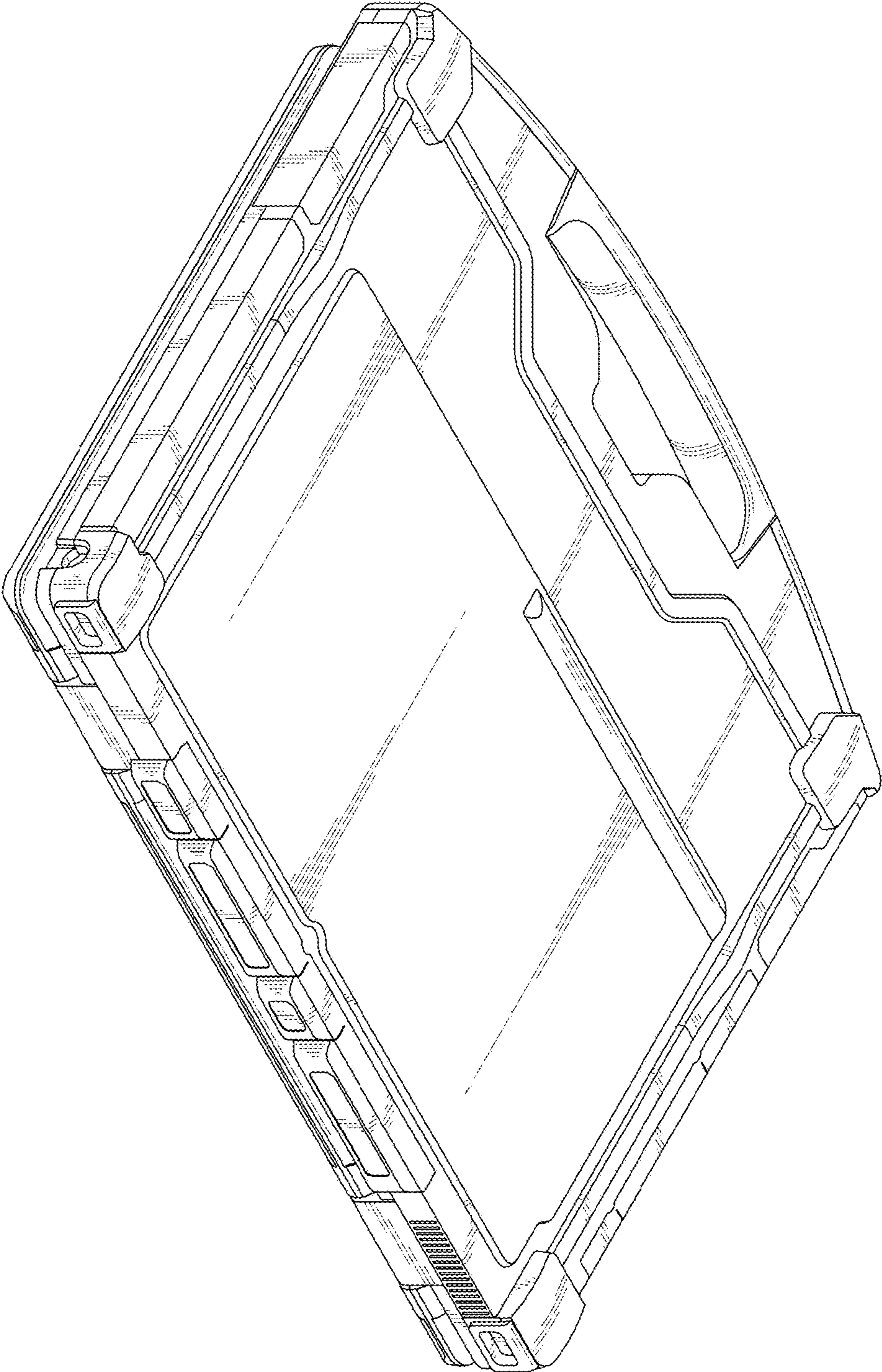


FIG. 3

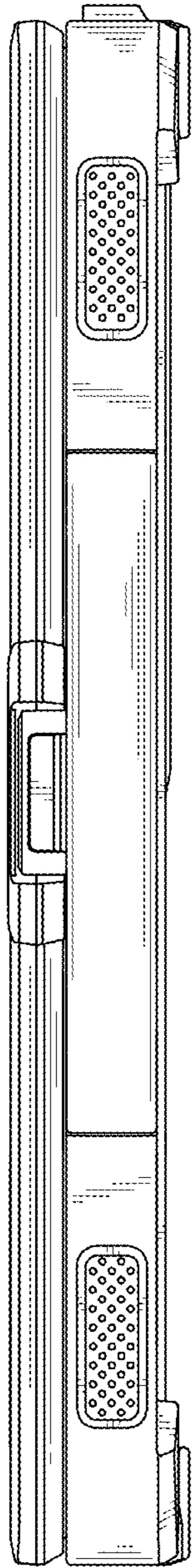


FIG. 4

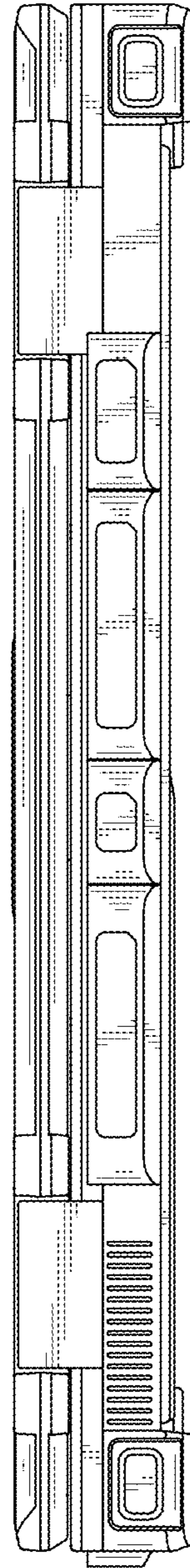


FIG. 5

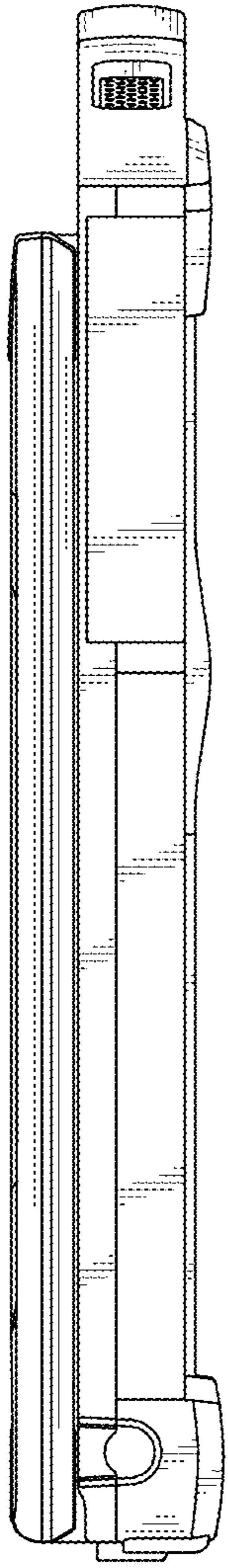


FIG. 6

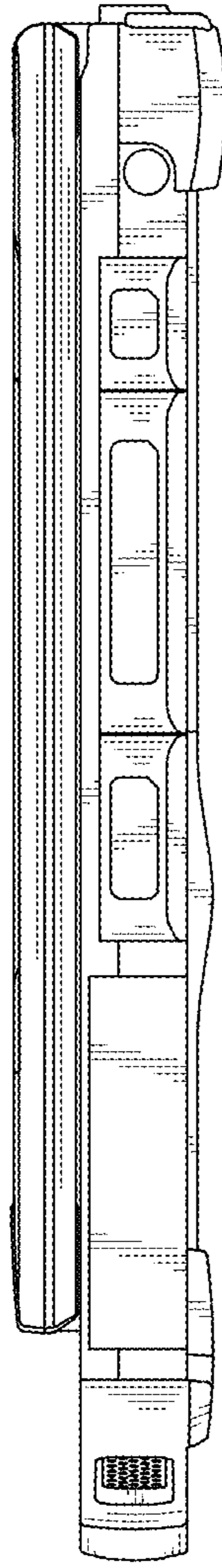


FIG. 7

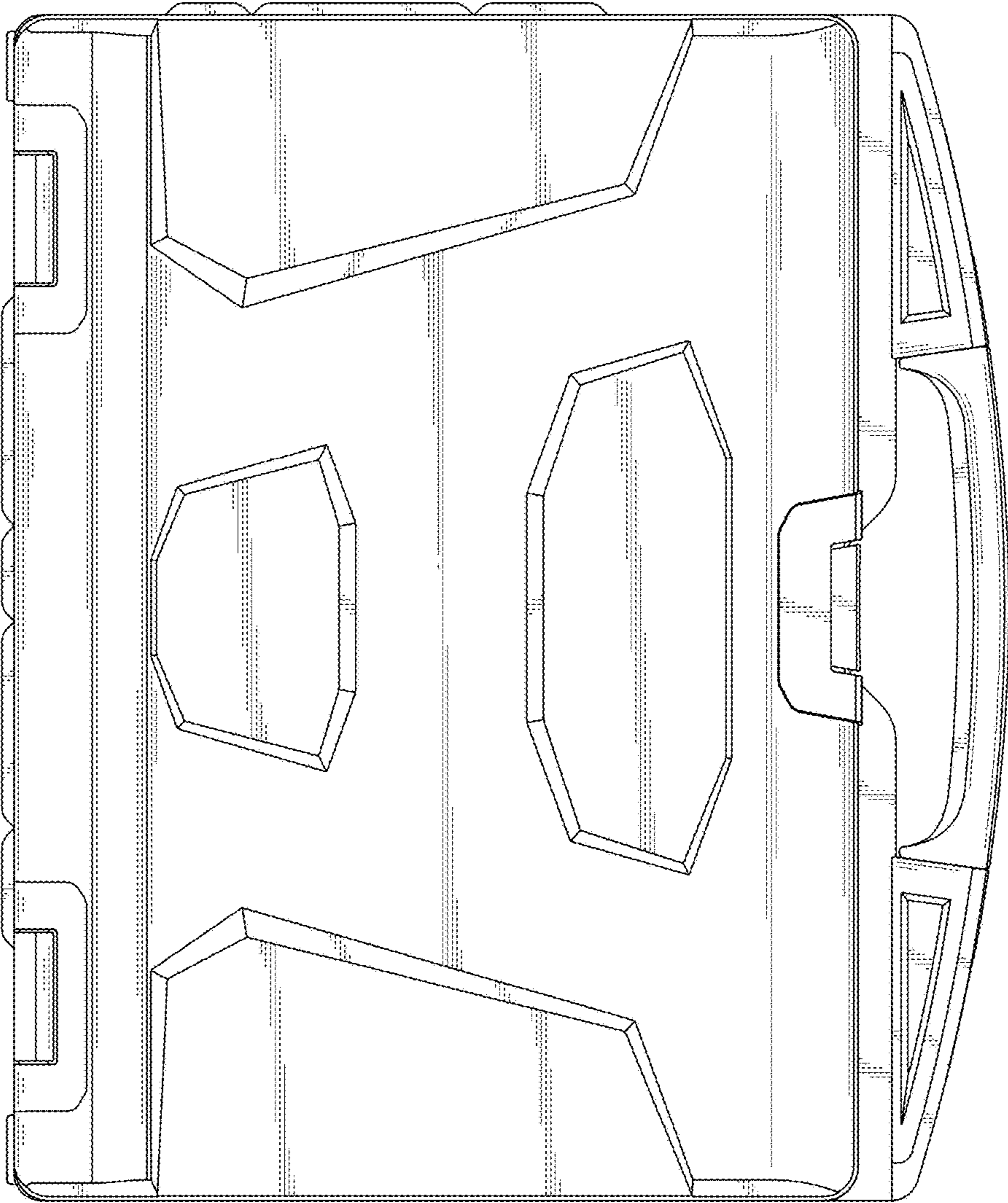


FIG. 8

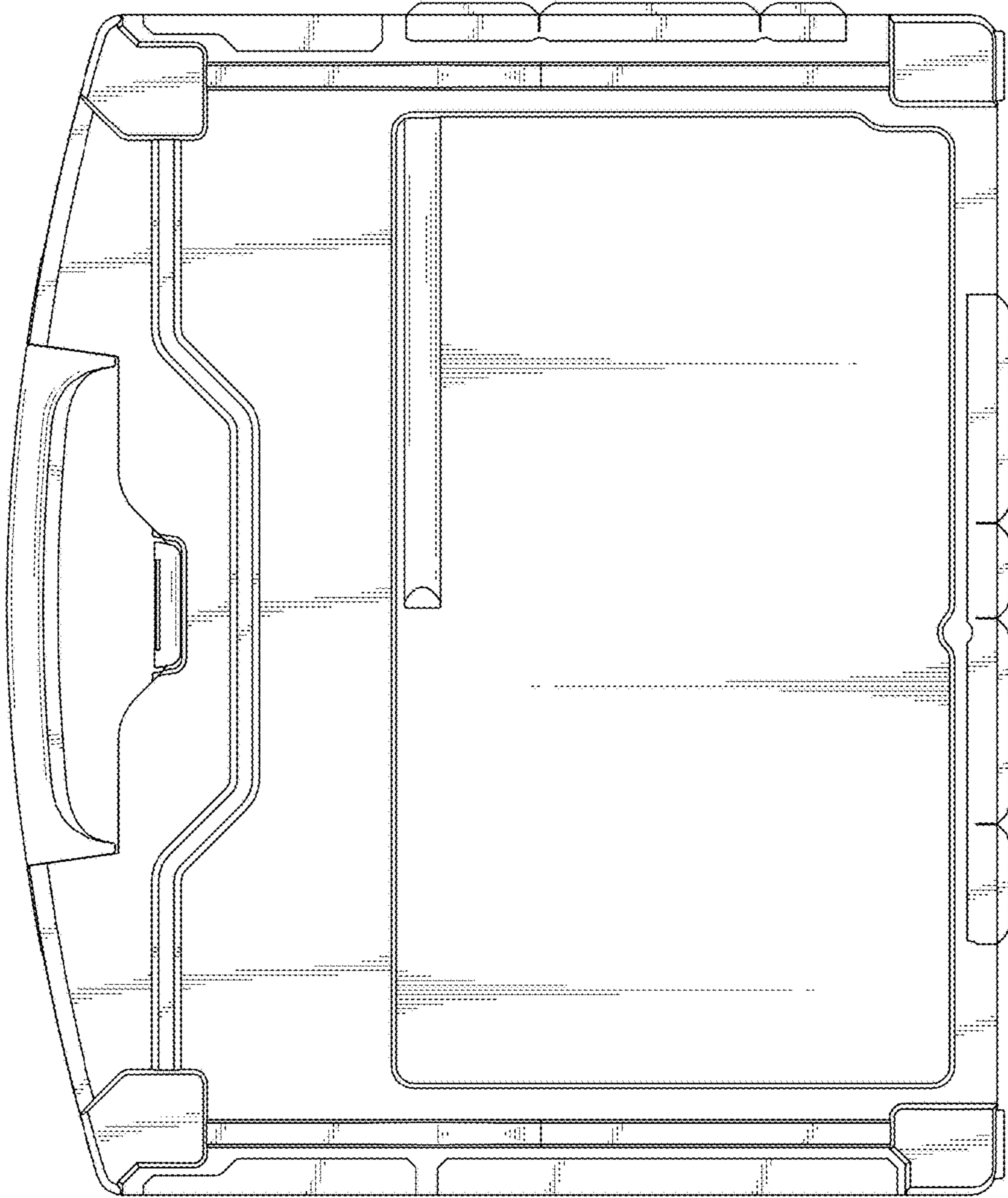


FIG. 9