



US00D786235S

(12) **United States Design Patent** (10) **Patent No.:** **US D786,235 S**
Huotari et al. (45) **Date of Patent:** **** May 9, 2017**

(54) **SUPPORT FOR A MOBILE DEVICE**

(71) Applicant: **JALAKA OY**, Lahti (FI)

(72) Inventors: **Juho Huotari**, Lahti (FI); **Jani Tanskanen**, Lahti (FI)

(73) Assignee: **JALAKA OY**, Lahti (FI)

(**) Term: **15 Years**

(21) Appl. No.: **29/561,401**

(22) Filed: **Apr. 15, 2016**

(30) **Foreign Application Priority Data**

Oct. 16, 2015 (EM) 002824888-0001

(51) **LOC (10) Cl.** **14-03**

(52) **U.S. Cl.**
USPC **D14/253**

(58) **Field of Classification Search**

USPC D14/253, 251, 252, 447, 451, 452, 440,
D14/434, 458, 432, 439, 457, 460, 238.1,
D14/140, 142, 149, 217, 148, 140.8,
D14/140.11, 209.1, 151, 140.9; D13/107,
D13/108; D12/415, 223, 114; D3/218;
D16/242-245, 250, 237, 203, 214, 219;
D6/675, 672, 673, 675.4, 553, 676, 310;
D7/396.2, 396.6, 213, 632, 619.1
CPC B60R 2011/0008; B60R 11/02; B60R
11/0241; B60R 11/0258; B60R 11/0252;
B60R 2011/0294; F16M 11/00; F16M
11/04; F16M 11/041; F16M 11/02; F16M
11/06; H04M 1/02; A47F 7/022; B62J
11/00

See application file for complete search history.

(56) **References Cited**

U.S. PATENT DOCUMENTS

D644,428 S * 9/2011 Feng D3/218
D663,735 S * 7/2012 Musselman D14/253

D669,890 S * 10/2012 Hopkins D14/251
D673,032 S * 12/2012 Tak D14/447
D713,140 S * 9/2014 Krupnick D3/218
D719,951 S * 12/2014 Fenton D14/253
D730,887 S * 6/2015 Lindemann D14/253
D748,935 S * 2/2016 Jiang D14/235
D750,060 S * 2/2016 Brassard D14/253
D751,060 S * 3/2016 Cooper D14/251
9,300,346 B2 * 3/2016 Hirsch H04B 1/385
9,301,584 B2 * 4/2016 Butts A45C 11/00
D755,153 S * 5/2016 Steiner D14/138 R
D755,797 S * 5/2016 Liu D14/452
D763,857 S * 8/2016 Dang D14/440

(Continued)

Primary Examiner — Susan Bennett Hattan

Assistant Examiner — Janice Hallmark

(74) *Attorney, Agent, or Firm* — Young & Thompson

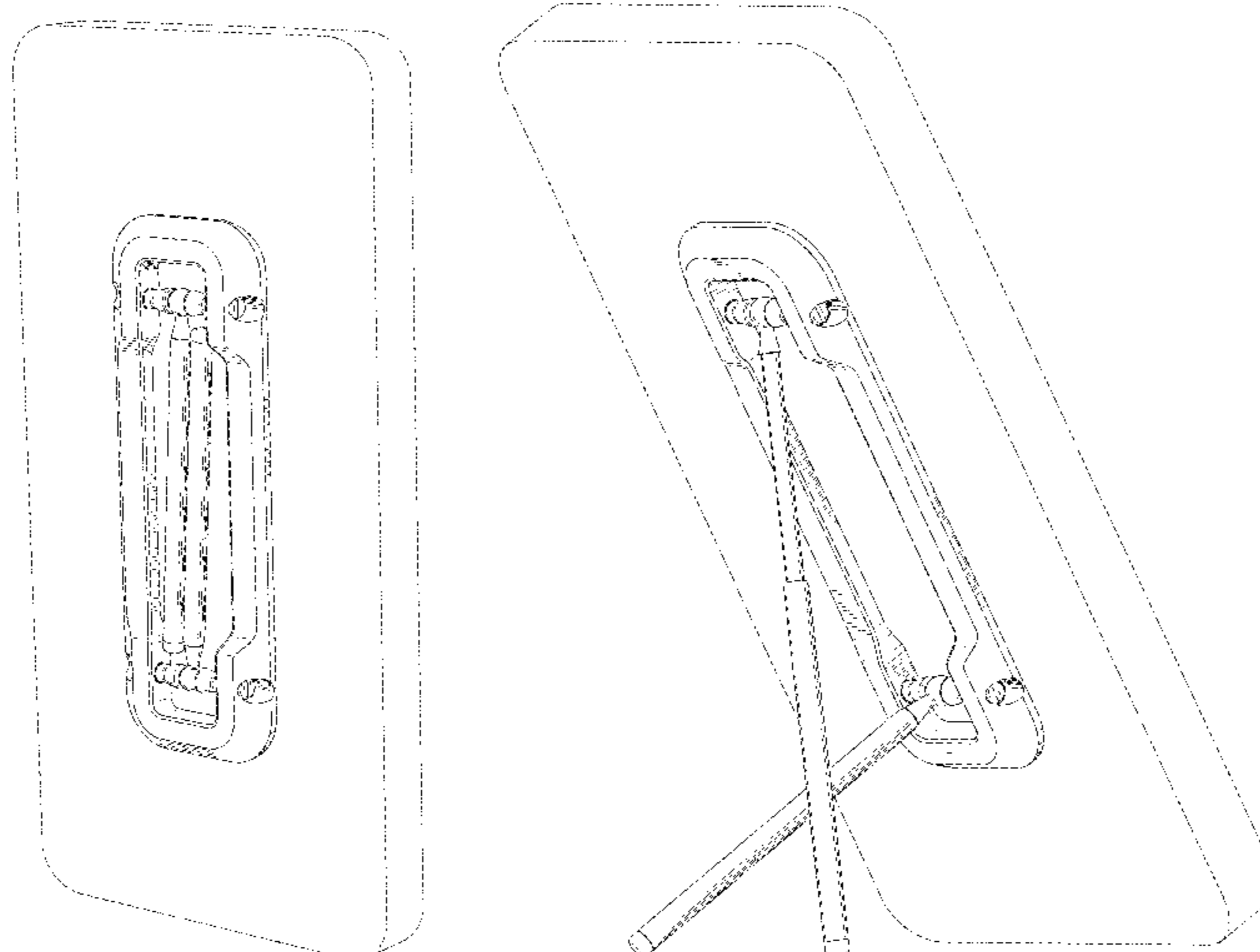
(57) **CLAIM**

The ornamental design for a support for a mobile device, as shown and described.

DESCRIPTION

FIG. 1 is a front elevation view of a support for a mobile device showing the new design;
FIG. 2 is a right side elevation view thereof;
FIG. 3 is a top plan view thereof;
FIG. 4 is a front, left side, and top perspective view thereof;
FIG. 5 is a front, left side, and top perspective view thereof in a first alternate configuration;
FIG. 6 is a front, right side, and top perspective view thereof in a second alternate configuration;
FIG. 7 is a front, right side, and bottom perspective view thereof in a third alternate configuration; and,
FIG. 8 is a front and left side perspective view thereof in a fourth alternate configuration.
The portions of the design shown in broken lines show unclaimed subject matter.

1 Claim, 8 Drawing Sheets



(56)

References Cited

U.S. PATENT DOCUMENTS

D767,555 S *	9/2016	Lee	D14/253
D769,865 S *	10/2016	Oakley	D14/336
2012/0006950 A1 *	1/2012	Vandiver	F16M 11/10 248/176.3
2012/0025039 A1 *	2/2012	Segal	F16M 11/24 248/188.6
2012/0256068 A1 *	10/2012	Su	F16M 11/041 248/288.11

* cited by examiner

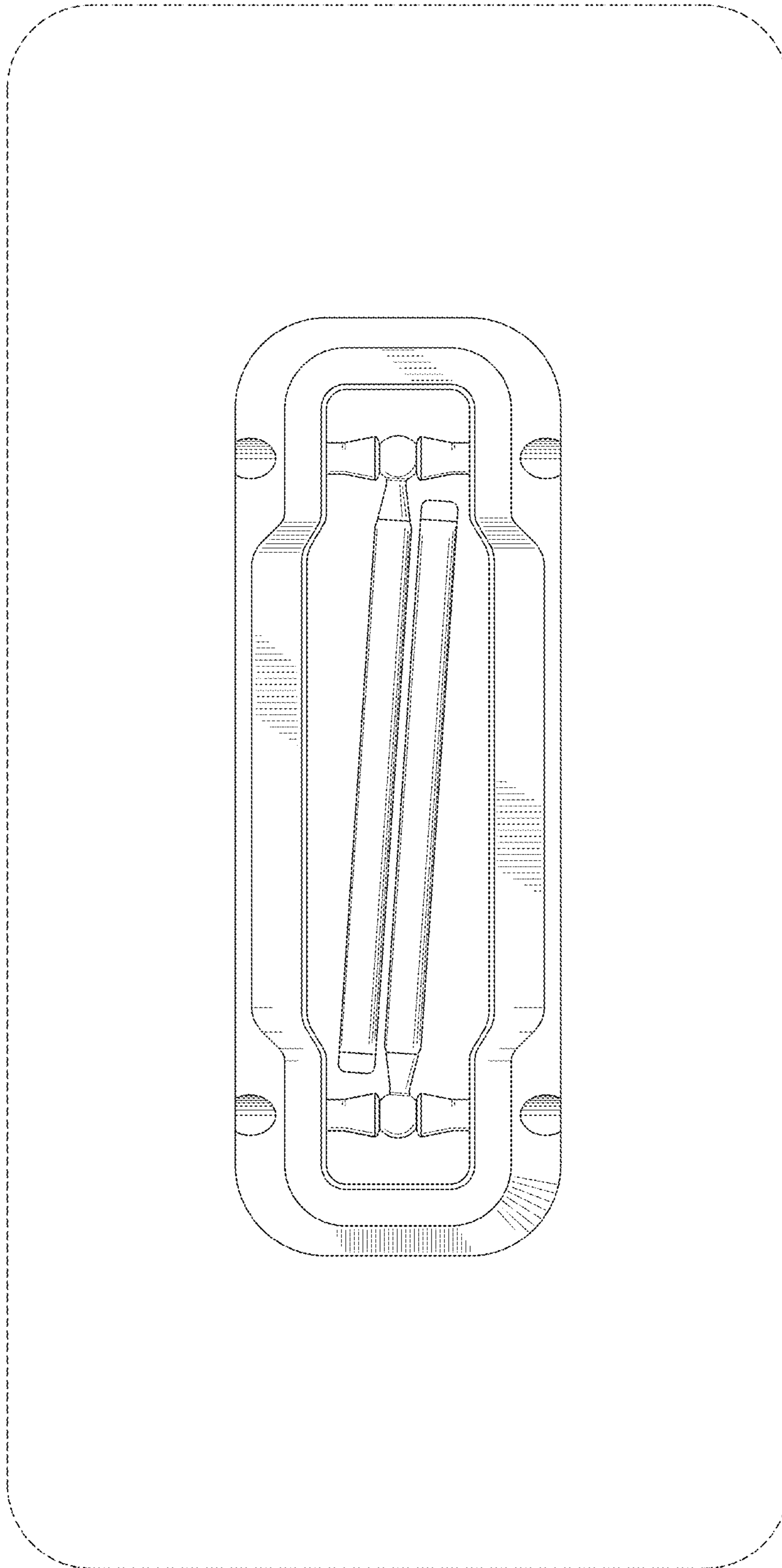


Fig. 1

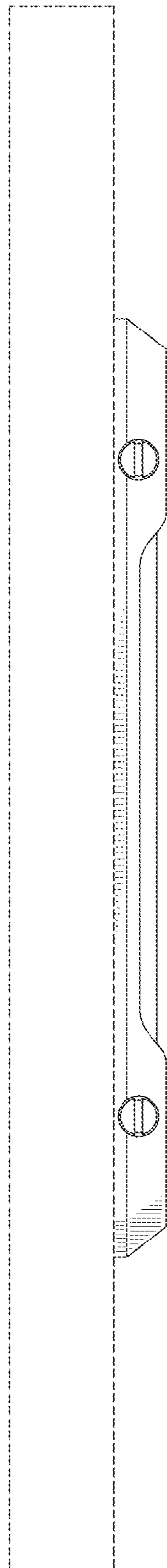


Fig. 2

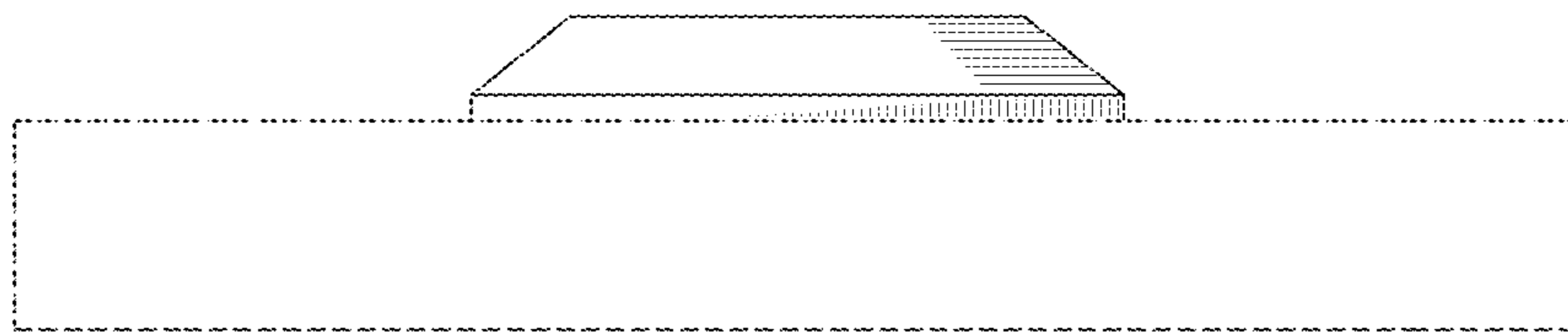


Fig. 3

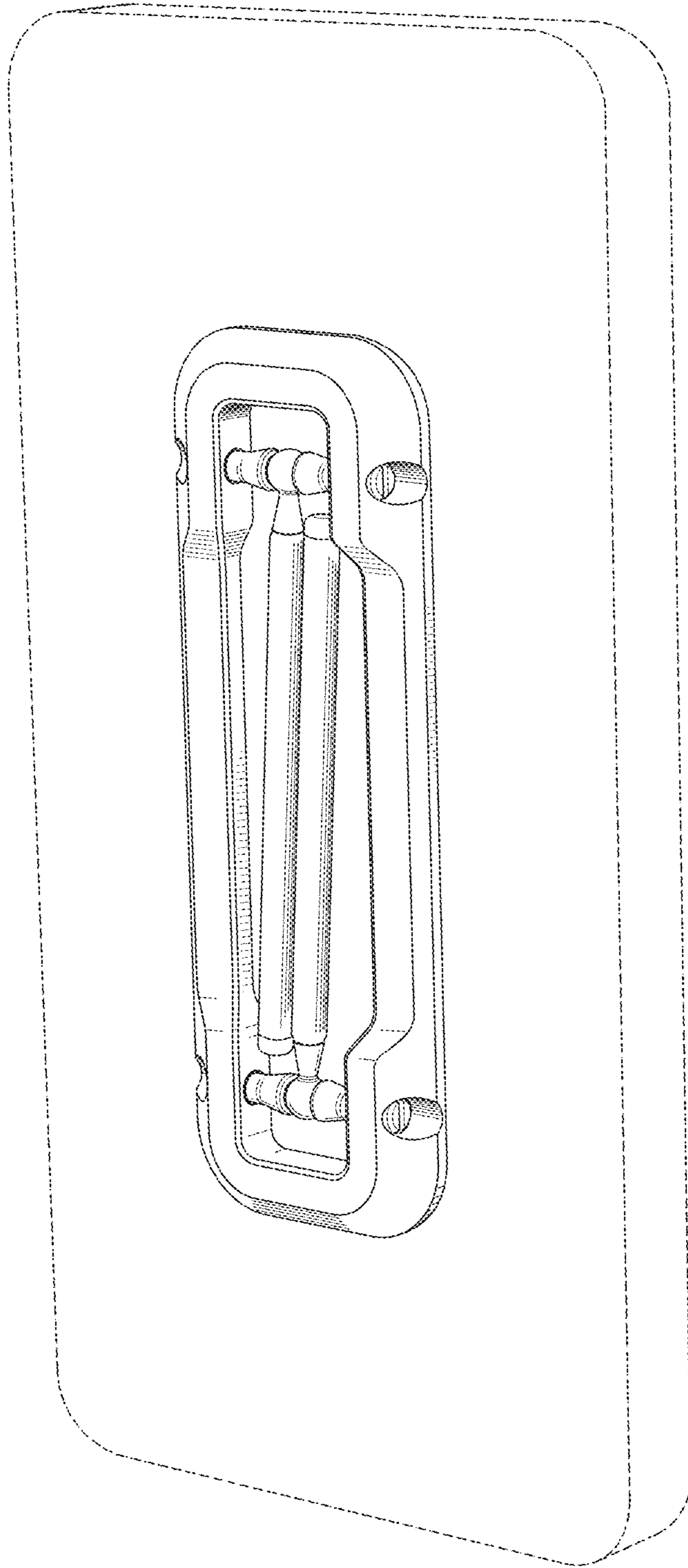


Fig. 4

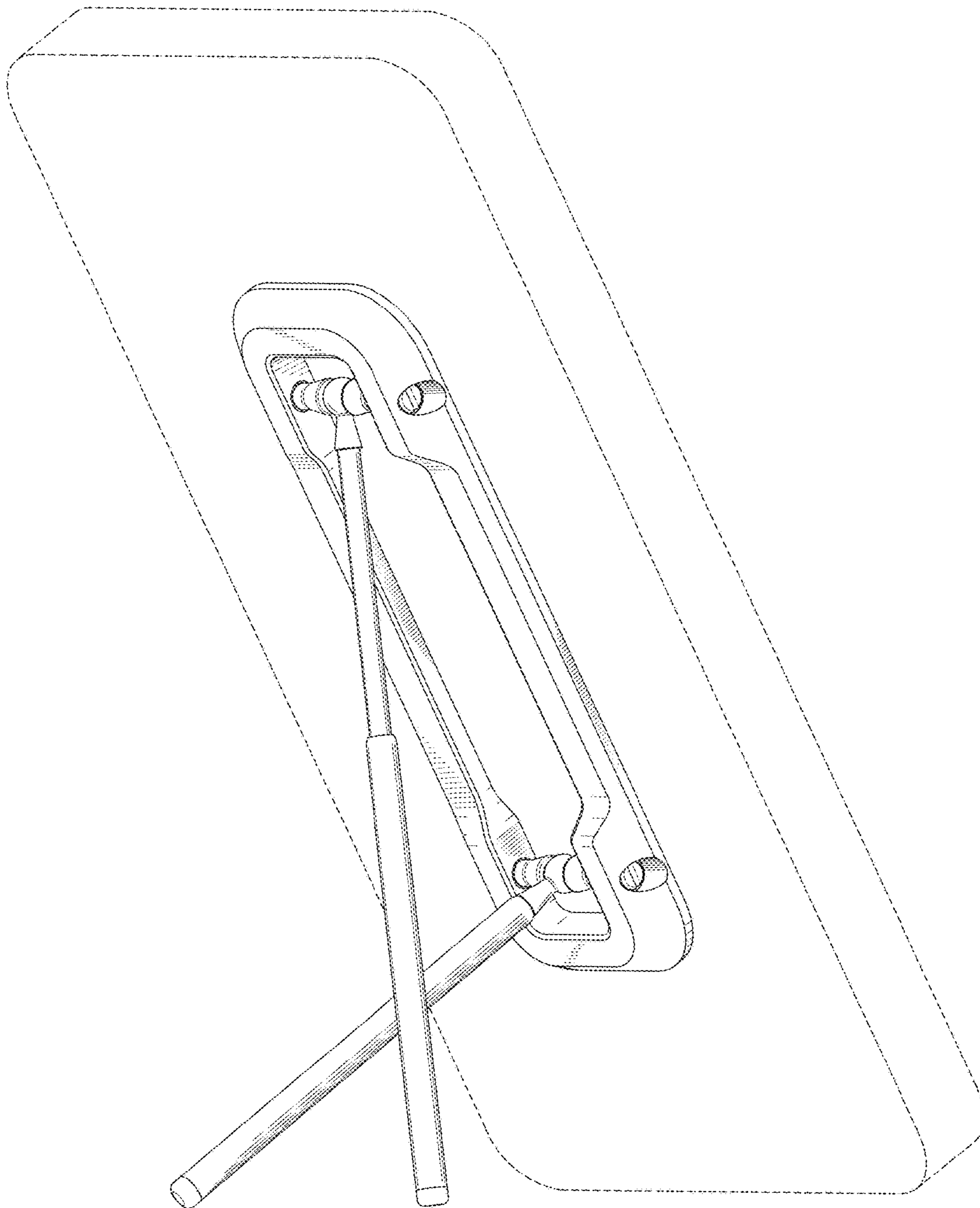


Fig. 5

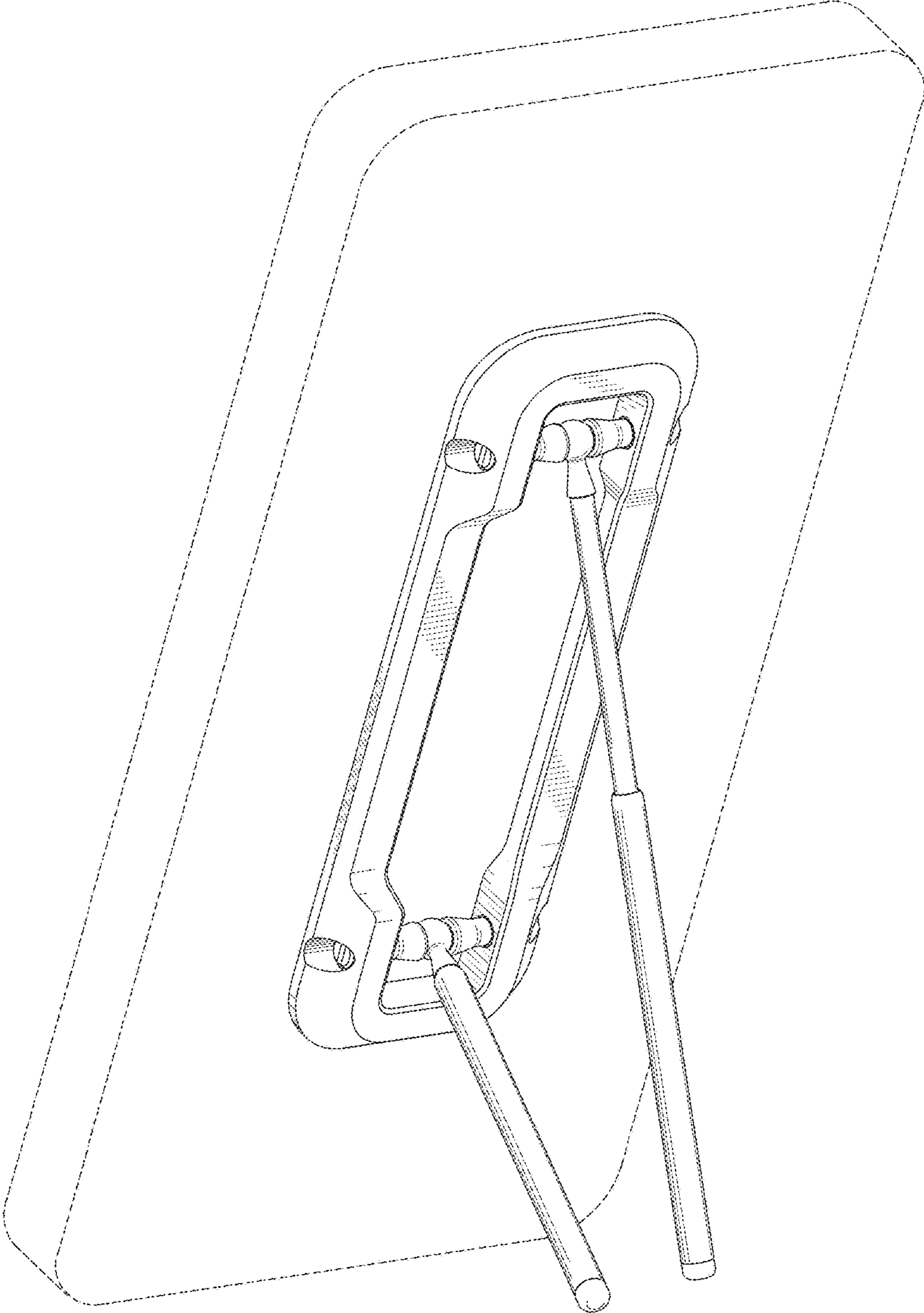


Fig. 6

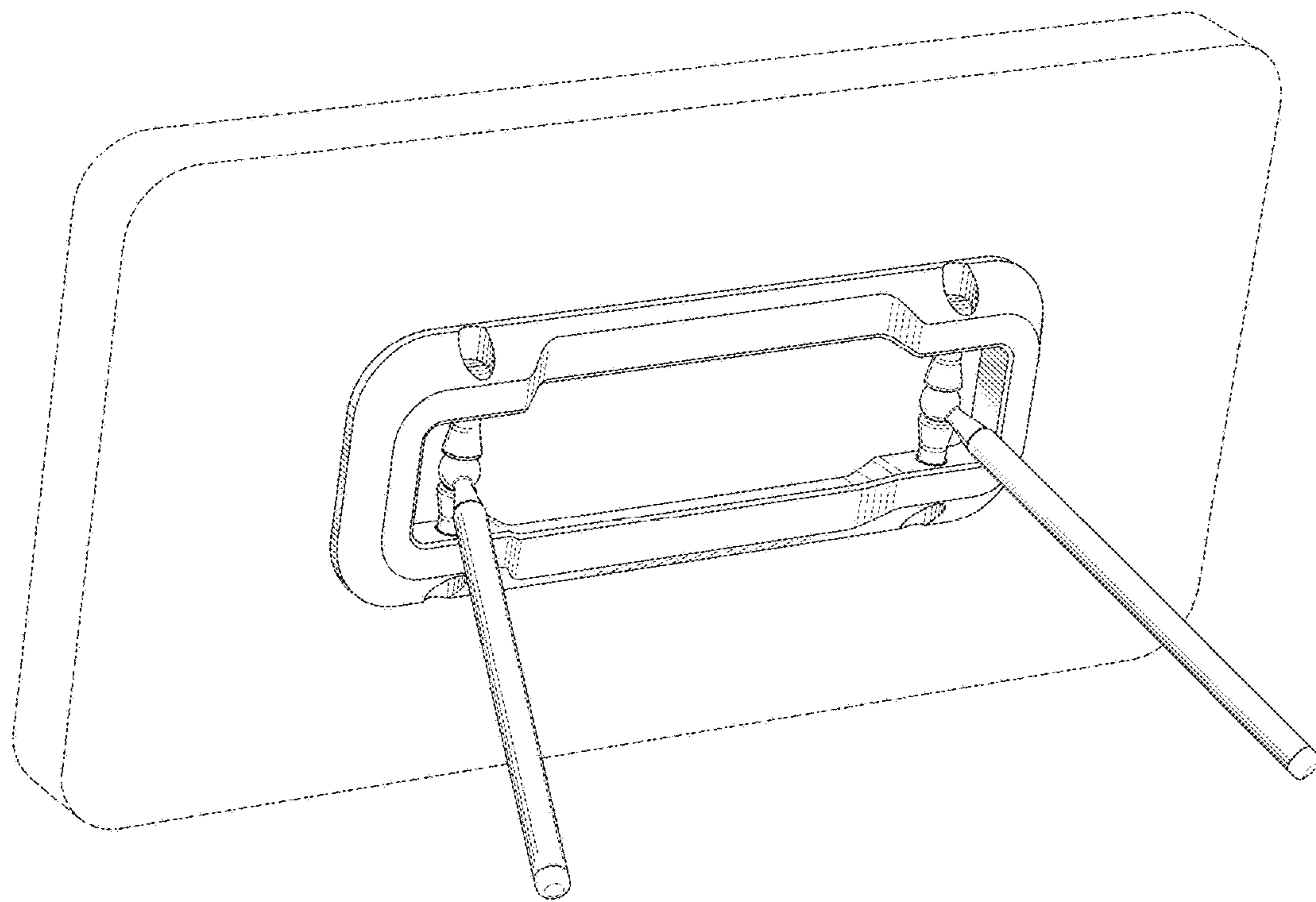


Fig. 7

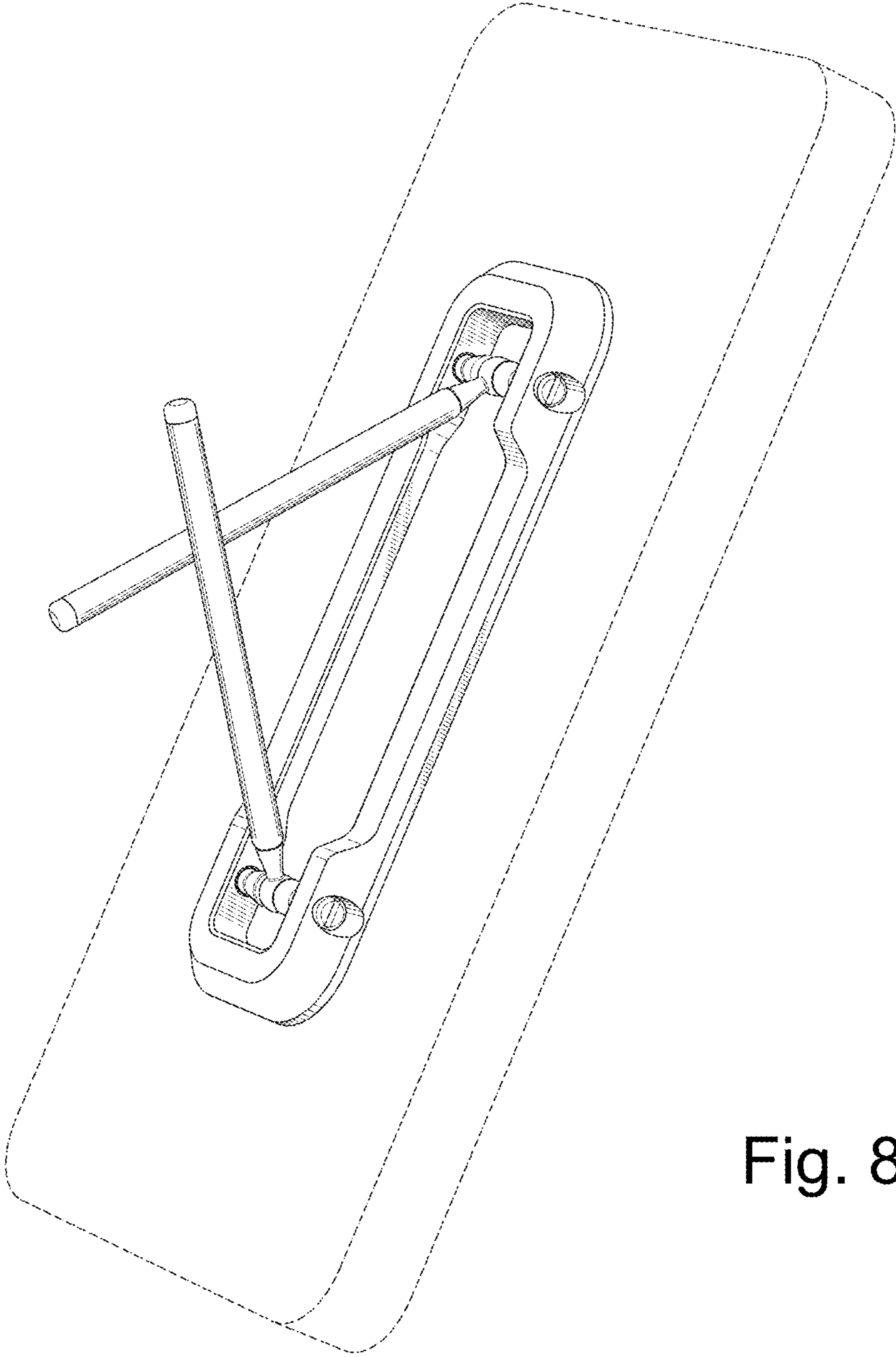


Fig. 8