



US00D786234S

(12) **United States Design Patent** (10) **Patent No.:** **US D786,234 S**
Bo (45) **Date of Patent:** **** May 9, 2017**

(54) **PHONE STAND**

(71) Applicant: **Anhui Inno-Sign International Co., Ltd.**, Hefei (CN)

(72) Inventor: **Jin Bo**, Hefei (CN)

(73) Assignee: **ANHUI INNO-SIGN INTERNATIONAL CO., LTD.** (CN)

(**) Term: **15 Years**

(21) Appl. No.: **29/558,084**

(22) Filed: **Mar. 15, 2016**

(51) **LOC (10) Cl.** **14-03**

(52) **U.S. Cl.**
USPC **D14/252; D14/253; D7/619.1**

(58) **Field of Classification Search**
USPC D14/253, 251, 252, 447, 451, 452, 440, D14/434, 458, 432, 439, 457, 460, 238.1, D14/140, 142, 149, 217, 148, 140.8, D14/140.11, 209.1, 151, 140.9; D13/107, D13/108; D12/415, 223, 114; D3/218; D16/242-245, 250, 237, 203, 214, 219; D6/675, 672, 673, 675.4, 553, 676, 310; D7/396.2, 396.6, 213, 632, 619.1
CPC B60R 2011/0008; B60R 11/02; B60R 11/0241; B60R 11/0258; B60R 11/0252; B60R 2011/0294; F16M 11/00; F16M 11/04; F16M 11/041; F16M 11/02; F16M 11/06; H04M 1/02; A47F 7/022; B62J 11/00

See application file for complete search history.

(56) **References Cited**

U.S. PATENT DOCUMENTS

D514,896 S * 2/2006 Wickenhauser D7/619.1
D516,393 S * 3/2006 Wickenhauser D7/619.1
D574,375 S * 8/2008 Prest D14/217
D668,662 S * 10/2012 Suiter D14/447

D672,783 S * 12/2012 Robinson D14/447
D673,032 S * 12/2012 Tak D14/447
D714,775 S * 10/2014 Yoo D14/253
D720,573 S * 1/2015 Pola D7/396.2
D723,024 S * 2/2015 Yoo D14/253
D730,888 S * 6/2015 Malsan D14/253
9,155,213 B2 * 10/2015 Jones H05K 5/0234
D747,617 S * 1/2016 Xiong D6/683.1
D751,060 S * 3/2016 Cooper D14/251

(Continued)

Primary Examiner — Susan Bennett Hattan

Assistant Examiner — Janice Hallmark

(74) *Attorney, Agent, or Firm* — Richards Patent Law P.C.

(57) **CLAIM**

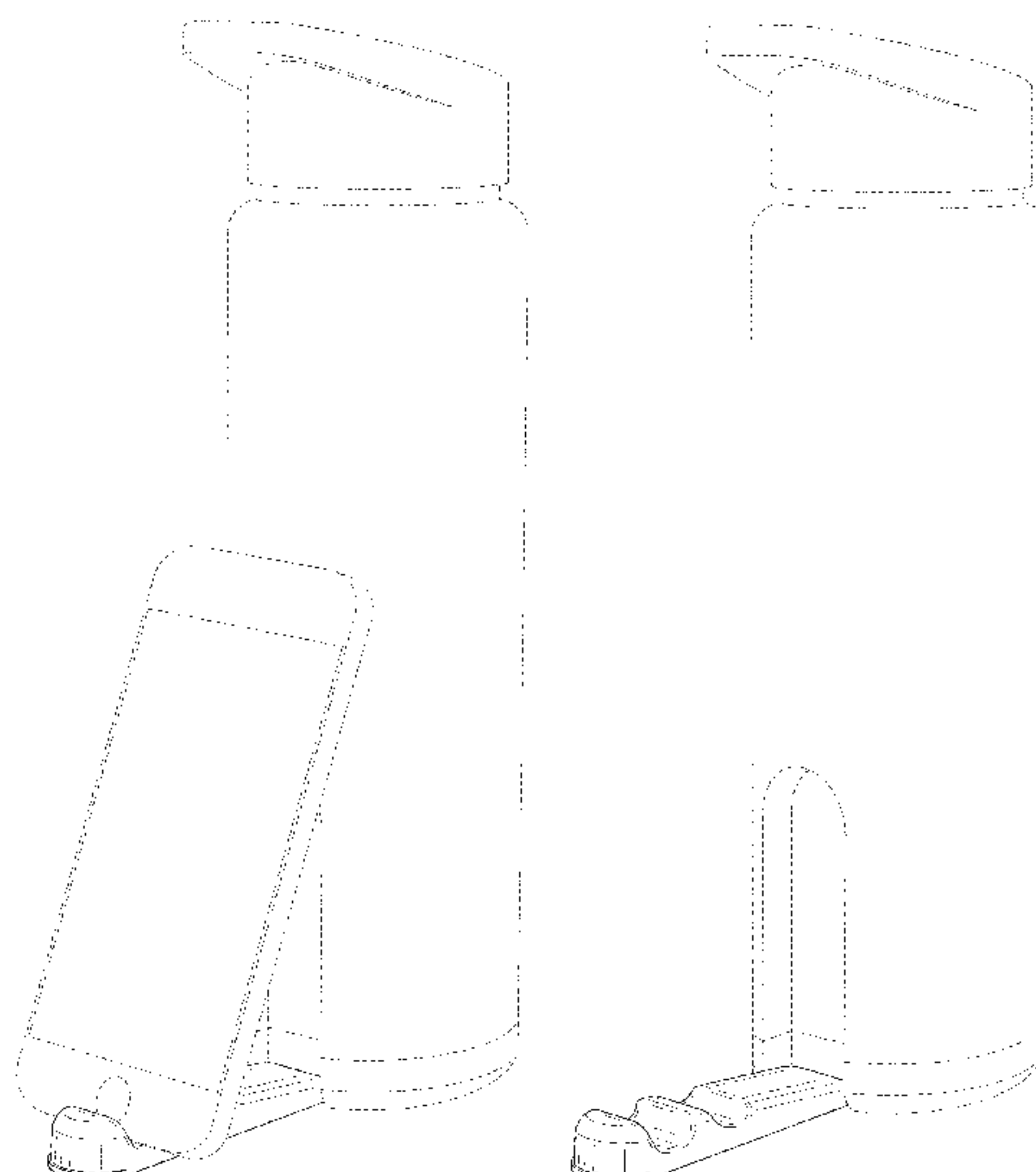
The ornamental design for a phone stand, as shown and described.

DESCRIPTION

FIG. 1 is a perspective view of the phone stand in the extended position holding a phone;
FIG. 2 is a perspective view of the phone stand of FIG. 1 without the phone;
FIG. 3 is a front view of the phone stand as shown in FIG. 2;
FIG. 4 is a back view of the phone stand as shown in FIG. 2;
FIG. 5 is a left side view of the phone stand as shown in FIG. 2;
FIG. 6 is a right side view of the phone stand as shown in FIG. 2;
FIG. 7 is a top view of the phone stand as shown in FIG. 2;
FIG. 8 is a bottom view of the phone stand as shown in FIG. 2; and,
FIG. 9 is a perspective view of the phone stand of FIG. 1 in the unextended position.

Those portions of the figures that are presented in broken lines merely illustrate the environment of the design and are not part of the claimed design.

1 Claim, 9 Drawing Sheets



(56)

References Cited

U.S. PATENT DOCUMENTS

D754,668	S *	4/2016	Manabe	D14/447
9,301,584	B2 *	4/2016	Butts	A45C 11/00
9,357,829	B1 *	6/2016	Ikier	A45F 3/44
D766,228	S *	9/2016	Haymond	D14/252
D767,555	S *	9/2016	Lee	D14/253
D774,351	S *	12/2016	Breit	D7/394
2012/0256068	A1 *	10/2012	Su	F16M 11/041
					248/288.11
2016/0124210	A1 *	5/2016	Ross	G02B 23/16
					359/399

* cited by examiner

FIG. 1

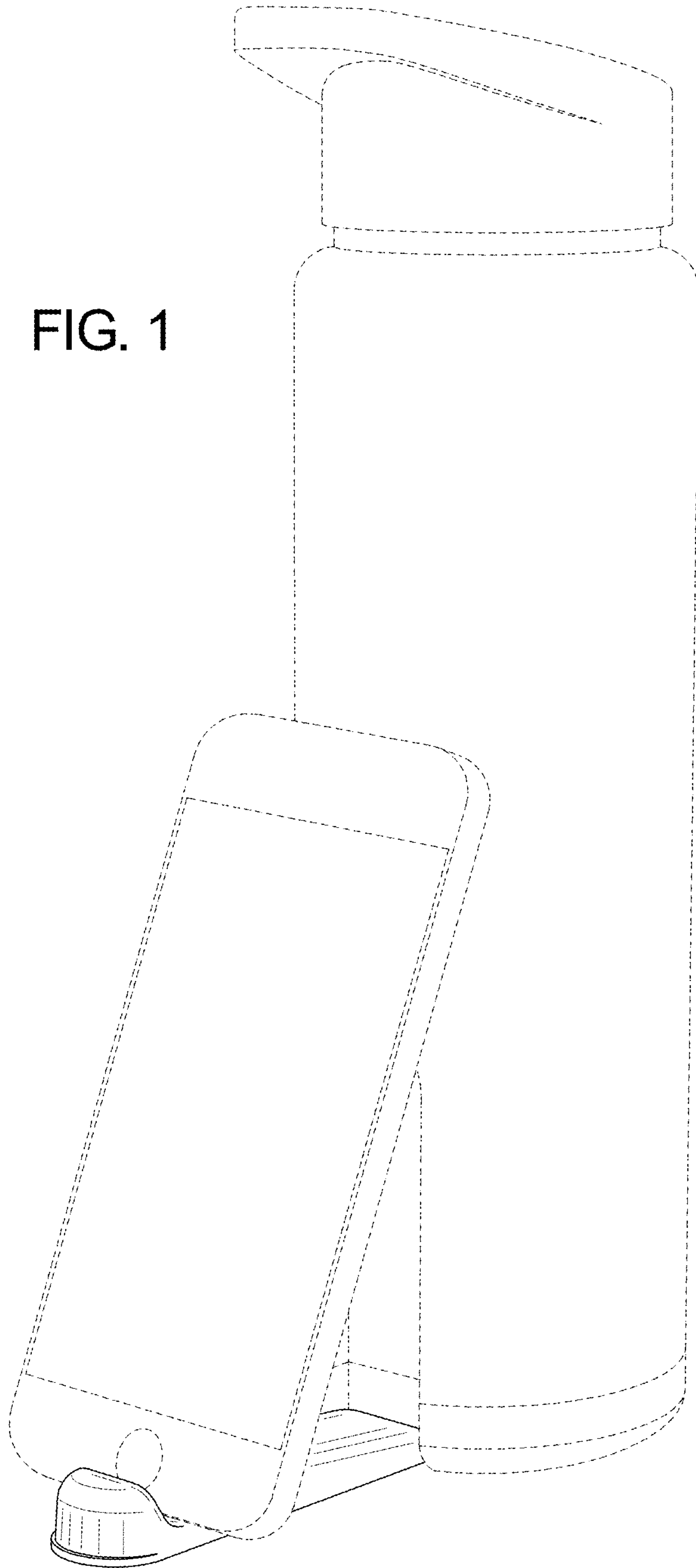


FIG. 2

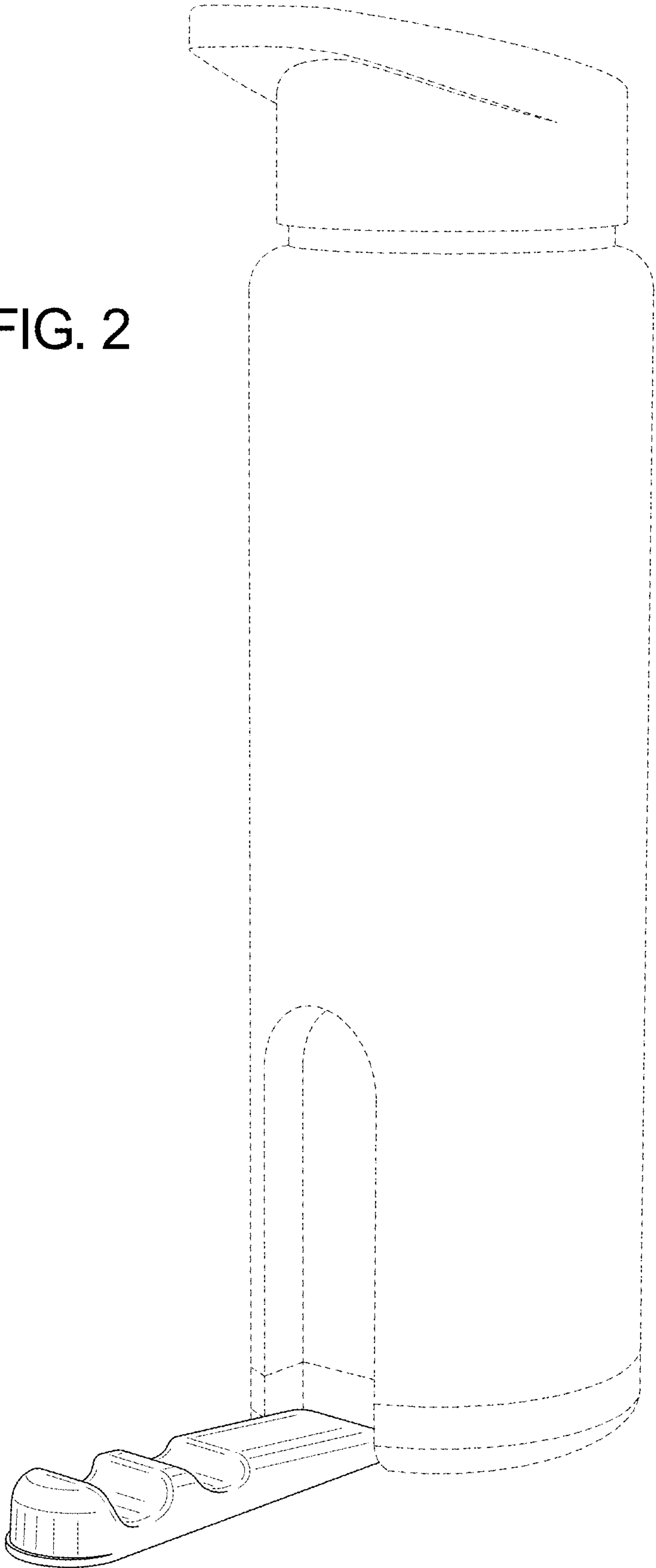


FIG. 3

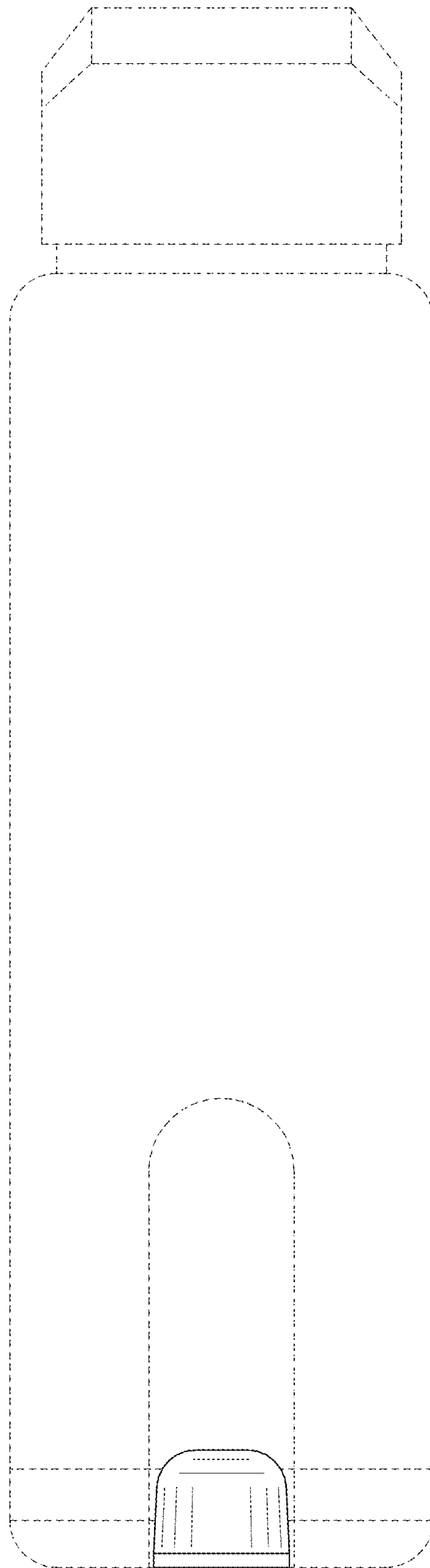
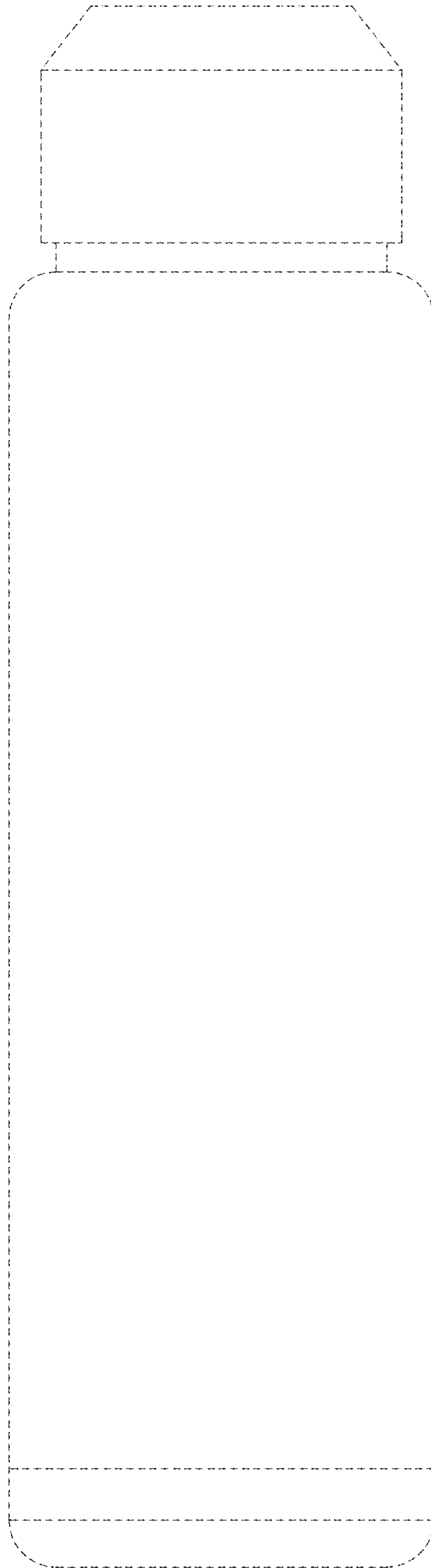


FIG. 4



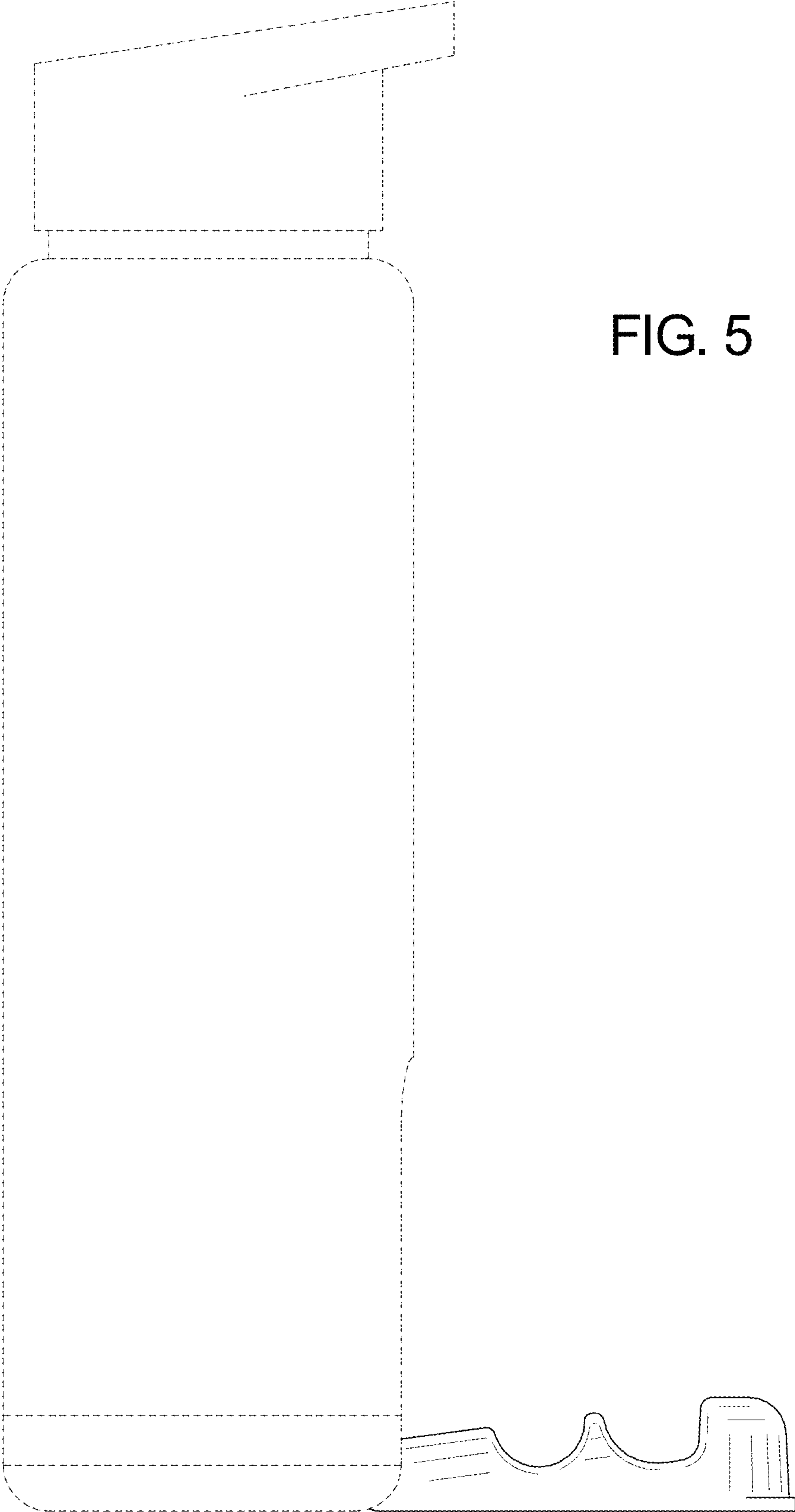


FIG. 5

FIG. 6

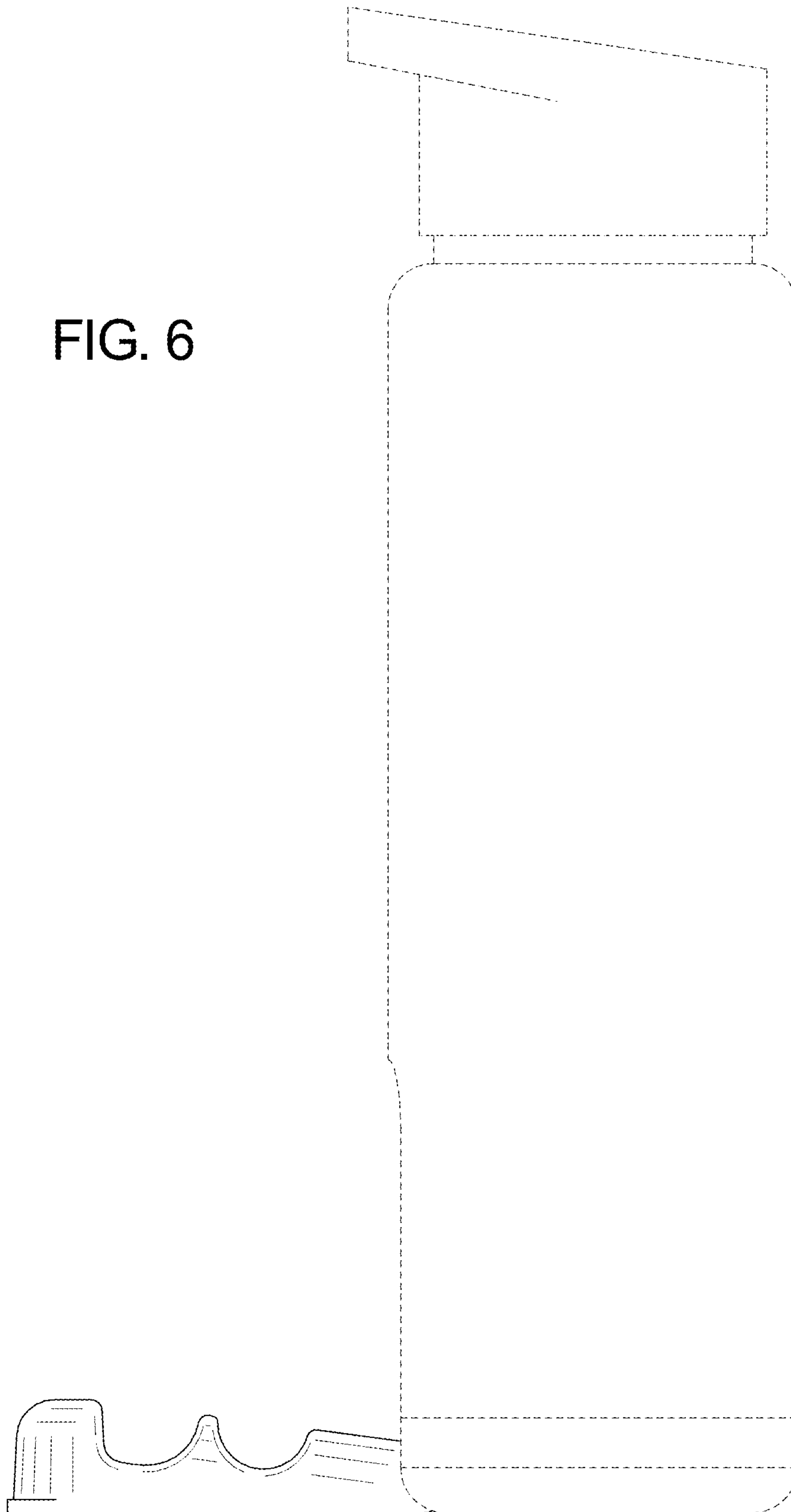


FIG. 7

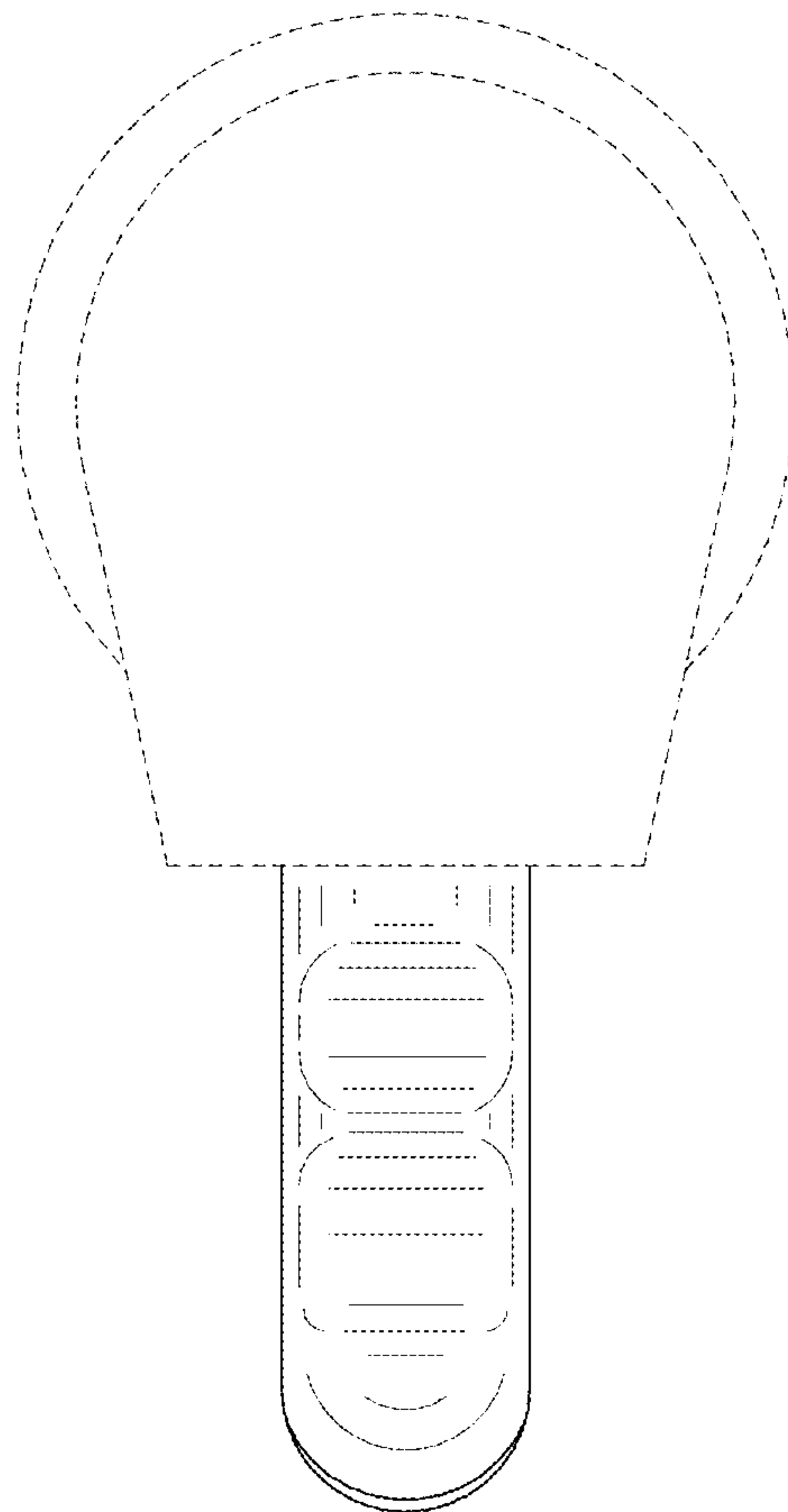


FIG. 8

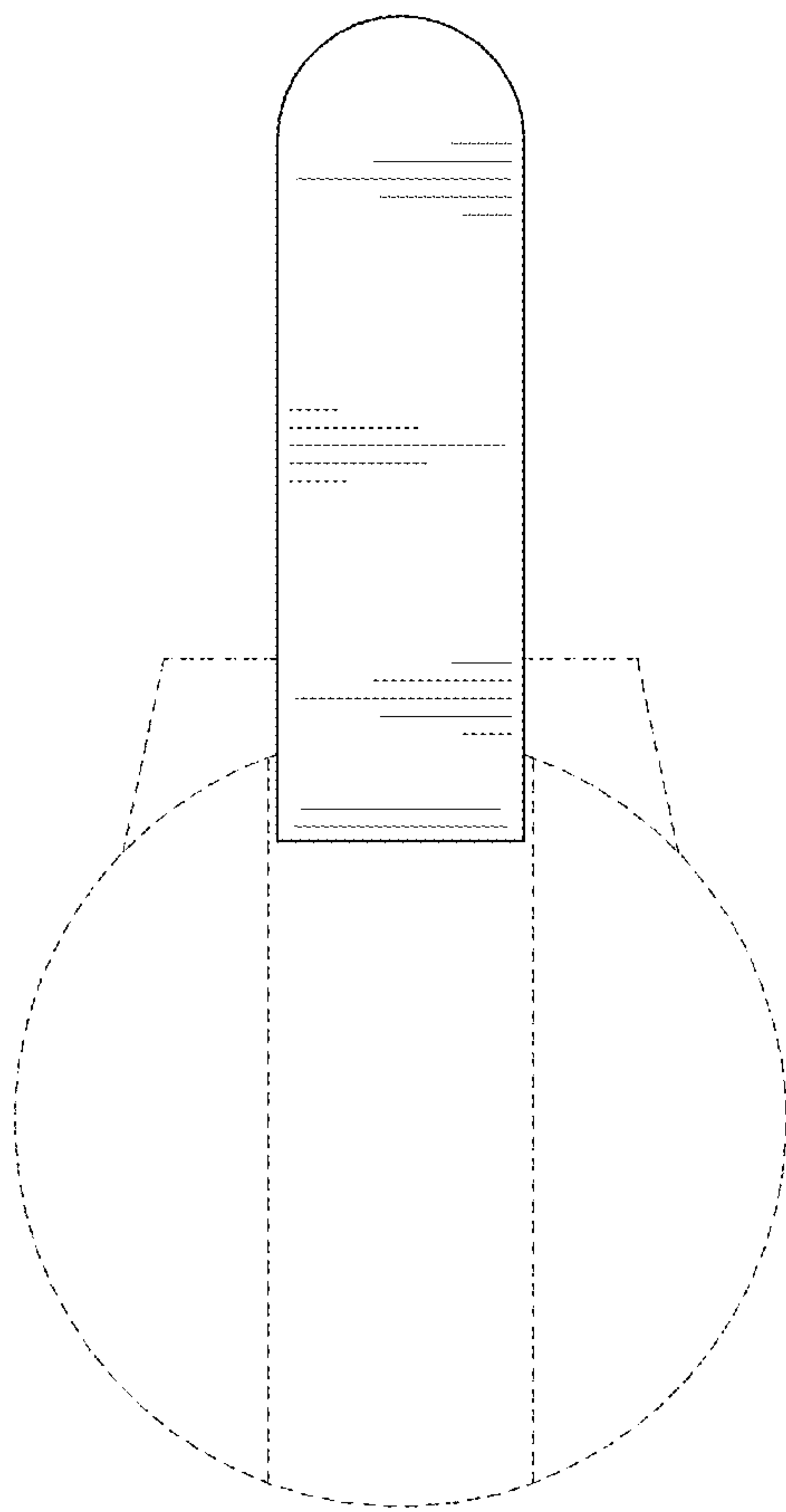


FIG. 9

