



US00D786233S

(12) **United States Design Patent** (10) **Patent No.:** **US D786,233 S**
Kim (45) **Date of Patent:** **** May 9, 2017**

- (54) **CASE FOR ELECTRONIC DEVICE**
- (71) Applicant: **Spigen Korea Co, LTD.**, Seoul (KR)
- (72) Inventor: **Dae-Young Kim**, Seoul (KR)
- (73) Assignee: **SPIGEN KOREA CO., LTD.**,
Geumcheon-Gu, Seoul (KR)
- (**) Term: **15 Years**
- (21) Appl. No.: **29/568,021**
- (22) Filed: **Jun. 14, 2016**

- D703,652 S 4/2014 Melanson
- D703,655 S 4/2014 Melanson
- D706,255 S * 6/2014 Akana D14/250
- D714,274 S * 9/2014 Jung D14/250
- D724,572 S * 3/2015 Wildner D14/250
- D732,012 S * 6/2015 Tsai D14/250
- D732,498 S 6/2015 Huang
- D733,693 S * 7/2015 Wang D14/248
- D736,205 S 8/2015 Park
- D739,391 S 9/2015 Chen

(Continued)

Related U.S. Application Data

- (63) Continuation of application No. 29/495,236, filed on Jun. 27, 2014, now Pat. No. Des. 771,607.
- (51) **LOC (10) Cl.** **14-03**
- (52) **U.S. Cl.**
USPC **D14/250**
- (58) **Field of Classification Search**
USPC D14/250-253, 440, 203.3-203.7, 217,
D14/496, 248, 238.1, 240, 447, 230, 247,
D14/341, 345, 346, 439; D3/201, 218,
D3/269, 301, 273, 303; D13/103,
D13/107-108
CPC . A45C 2011/002; A45C 11/00; A45C 13/002;
A45C 2011/003; H04M 1/0283; H04M
1/0202; H04M 1/185; H04B 1/3888
See application file for complete search history.

(56) **References Cited**

U.S. PATENT DOCUMENTS

- D657,782 S 4/2012 Biller
- D675,604 S * 2/2013 Limber D14/250
- 8,457,701 B2 * 6/2013 Diebel H04B 1/3888
206/701
- D689,852 S 9/2013 Azoulay
- D698,773 S * 2/2014 Wildner D14/250

OTHER PUBLICATIONS

“iPhone SE/5s/5/TONE,”<https://www.switcheasy.com/iphone-se5s5/24-tones>. Downloaded Jun. 13, 2016, 4Page.

(Continued)

Primary Examiner — Holly Baynham
Assistant Examiner — Holly E Thurman
(74) *Attorney, Agent, or Firm* — East West Law Group;
Heedong Chae

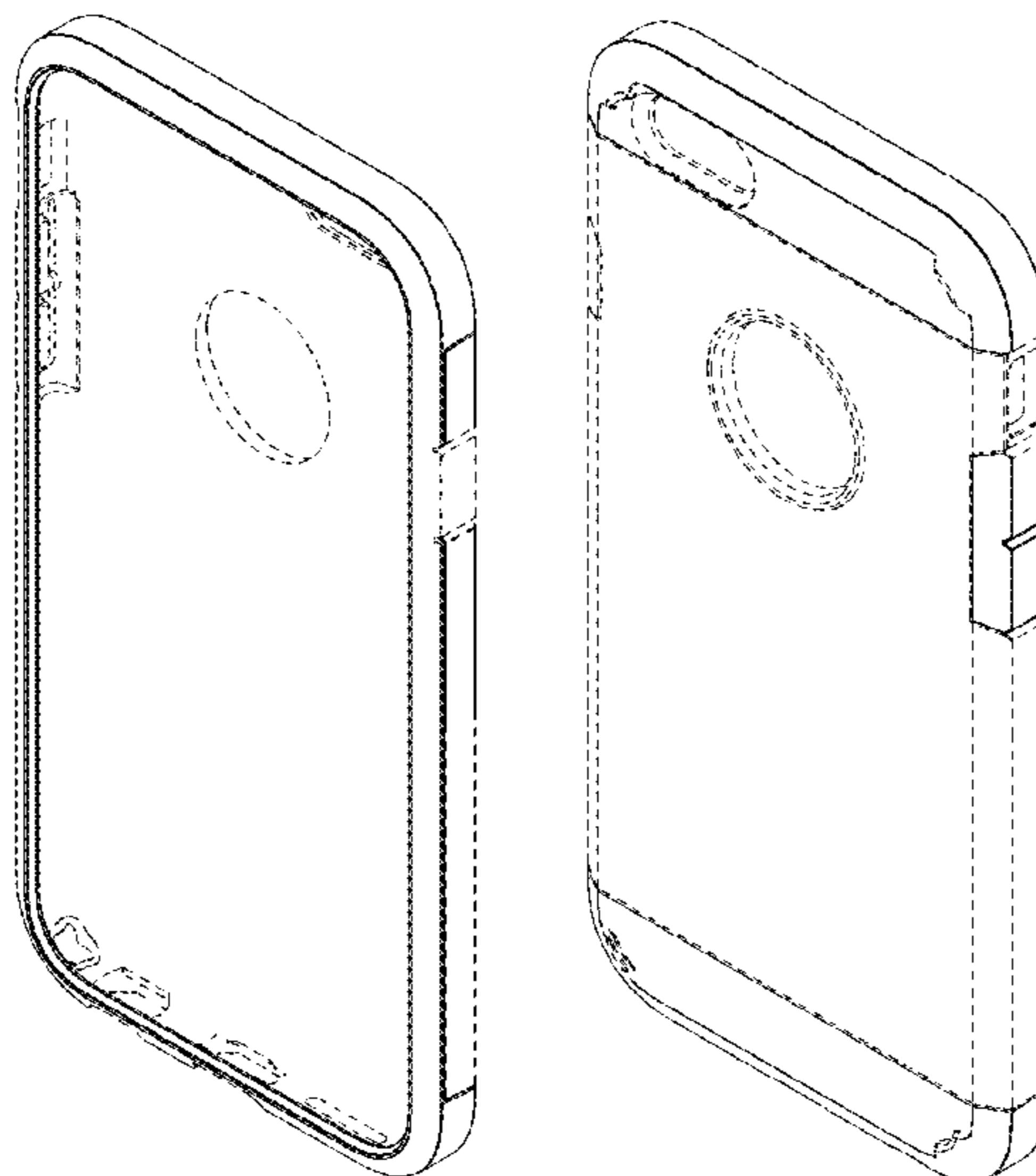
(57) **CLAIM**

The ornamental design for a case for electronic device, as shown and described.

DESCRIPTION

FIG. 1 is a front perspective view of a case for electronic device showing my new design;
FIG. 2 is another front perspective view thereof;
FIG. 3 is a rear perspective view thereof;
FIG. 4 is a front elevational view thereof;
FIG. 5 is a rear elevational view thereof;
FIG. 6 is a left side elevational view thereof;
FIG. 7 is a right side elevational view thereof;
FIG. 8 is a top plan view thereof; and,
FIG. 9 is a bottom plan view thereof.
The broken lines depict of unclaimed environment and form no part of the claimed design.

1 Claim, 9 Drawing Sheets



(56)

References Cited

U.S. PATENT DOCUMENTS

D741,279 S 10/2015 Tai
 D741,844 S 10/2015 Rayner
 D741,845 S 10/2015 Kim
 D743,389 S 11/2015 Akana
 D743,931 S 11/2015 Hubbard
 D744,471 S 12/2015 Fitzgerald
 D746,275 S 12/2015 Mohammad
 D746,805 S 1/2016 Kim
 D747,306 S 1/2016 Kim
 D748,614 S 2/2016 Ju
 D749,563 S 2/2016 Akana
 D749,567 S 2/2016 Lee
 D749,591 S 2/2016 Akana
 9,247,795 B2 2/2016 Kim
 D752,037 S 3/2016 Akana
 9,295,174 B2 3/2016 Witter
 9,301,414 B2 3/2016 Chao
 D753,099 S 4/2016 Kim
 D753,641 S 4/2016 Roberts
 D754,651 S 4/2016 Roberts
 D754,652 S 4/2016 Robert
 D757,703 S * 5/2016 Kanazawa D14/250
 D759,641 S * 6/2016 Lai D14/250
 D761,239 S * 7/2016 Kim D14/250
 2011/0297578 A1 * 12/2011 Stiehl B29C 45/1676
 206/701
 2012/0103844 A1 * 5/2012 Piedra A45F 5/021
 206/320

2013/0175186 A1* 7/2013 Simmer A45C 11/00
 206/37
 2014/0216952 A1* 8/2014 Liang H04M 1/18
 206/37
 2014/0284096 A1 9/2014 Wu

OTHER PUBLICATIONS

“Lunetik SMK5-001 Seismik Touch Suspension Frame for iPhone 5/iPhone 5S—Retail Packaging—Black/Smoke” https://www.amazon.com/Lunatik-SMK5-001-Seismik-Suspension-iPhone/dp/B00BF780QS?ie=UTF8&*Version*=1&*entries*=0, Downloaded Jun. 13, 2016, 8 Pages.
 “iPhone 5S/5 Case Slim Armor,” <http://www.spigen.com/products/iphone-5s-5-case-slim-armor-s?variant=1162051877> Downloaded Jun. 13, 2015, 4Page.
 “iPhone SE/5s/5/TONE”, <https://www.switcheasy.com/iphone-se5s/24-tones>, Downloaded Jun. 13, 2016, 4 pages, Admitted Prior Art.
 “Lunatik SMK5-001 Seismic Touch Suspension Frame for iPhone 5/IPhone 5S-Retail Packaging-Black/Smoke”, https://www.amazon.com/Lunatik-SMK5-001-Seismik-Suspension-iPhone/dp/B00BF780QS?ie=UTF8&*Version*=1&*entries*=0; Downloaded Jun. 13, 2016. 8 pages, Admitted Prior Art.
 “iPhone 5S/5 Case Slim Armor”, <http://www.spigen.com/products/iphone-5s-5-case-slim-armor-s?variant=1162051877> Downloaded Jun. 13, 2016, 4 pages, Admitted Prior Art.

* cited by examiner

FIG. 1

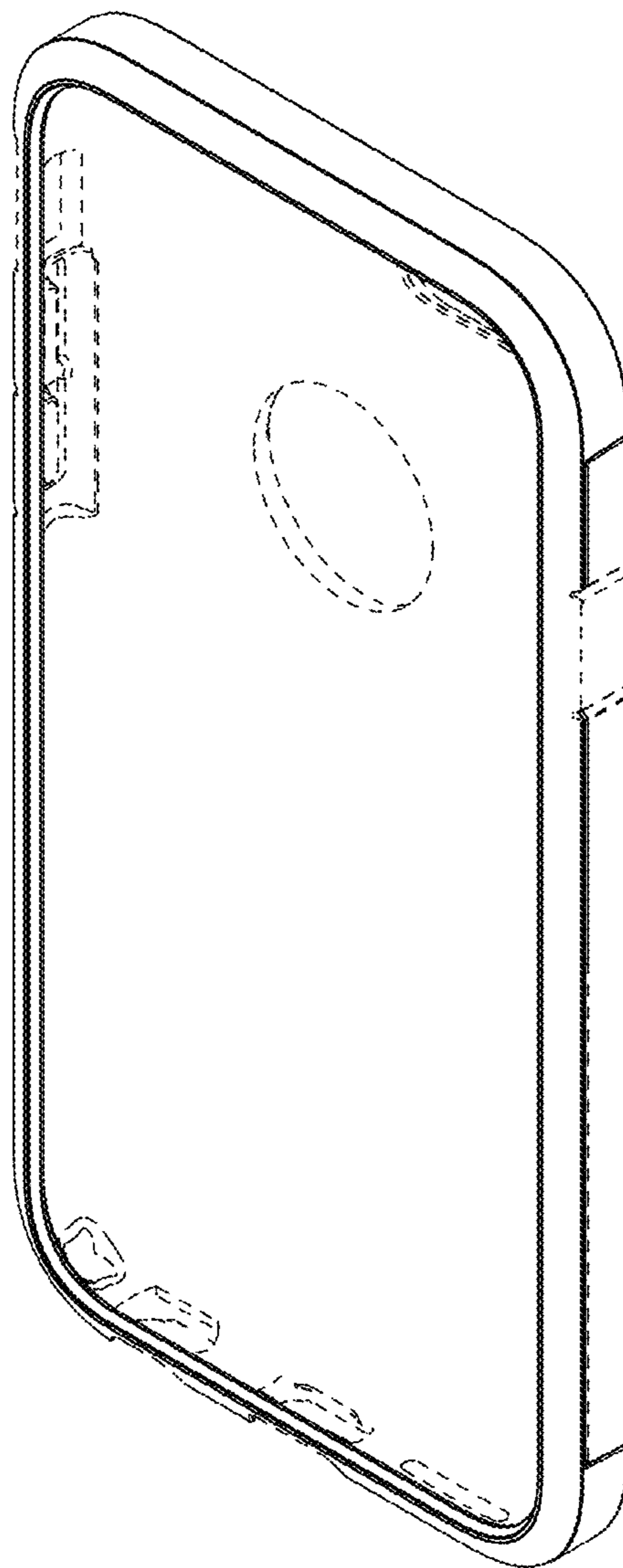


FIG. 2

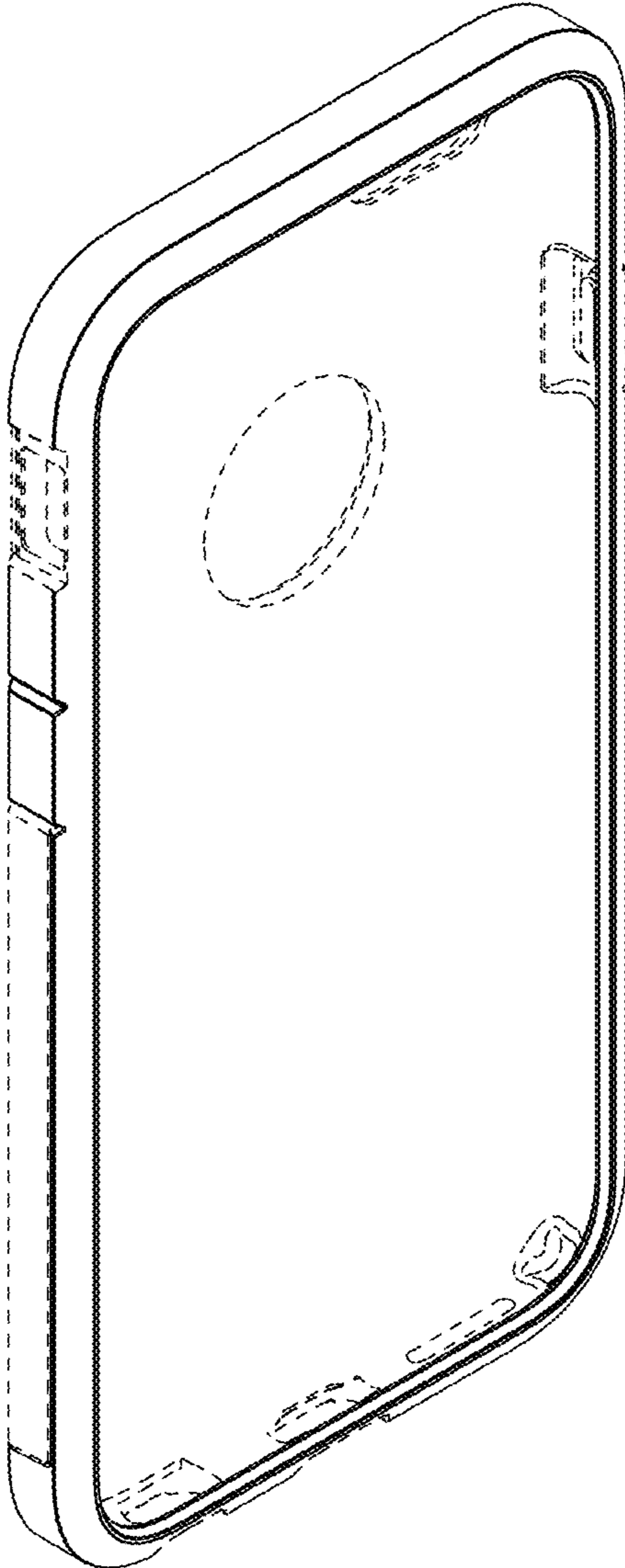


FIG. 3

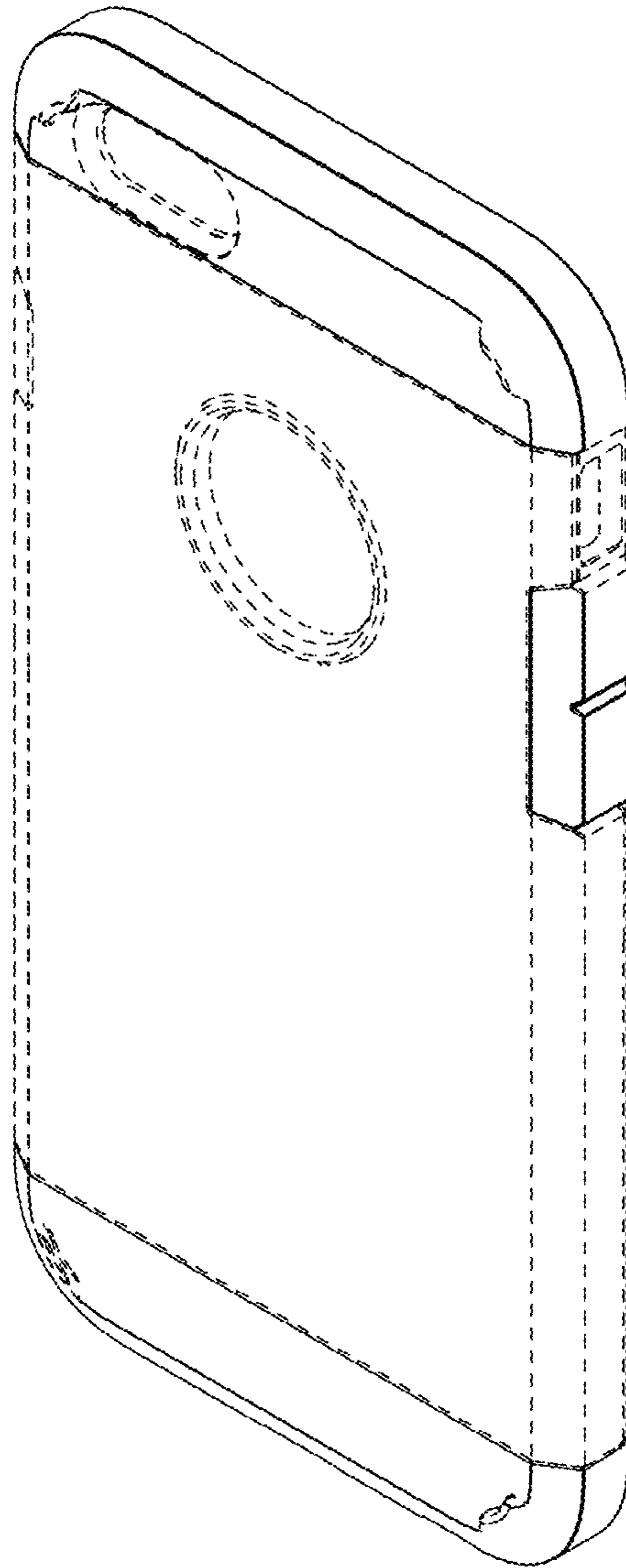


FIG. 4

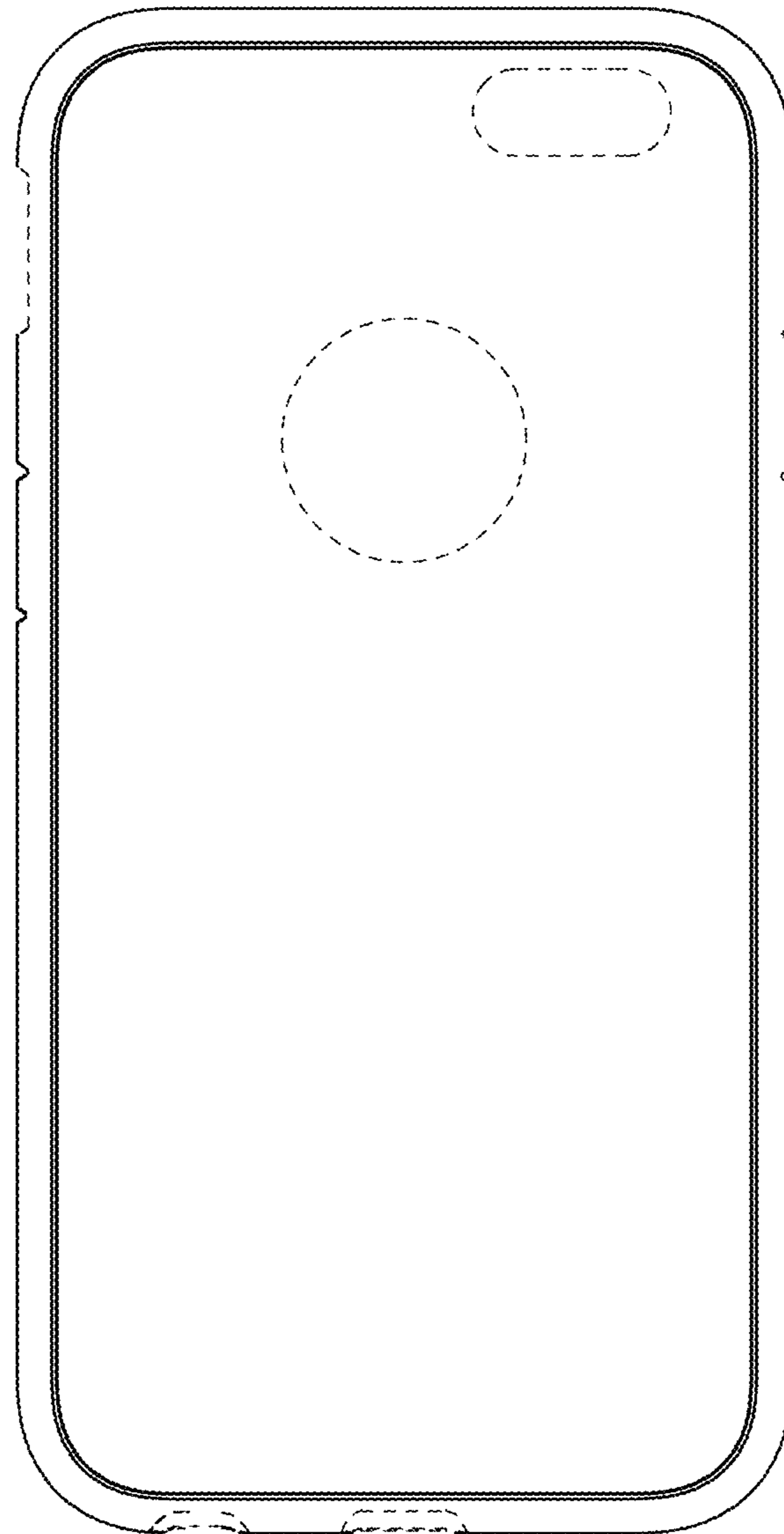


FIG. 5

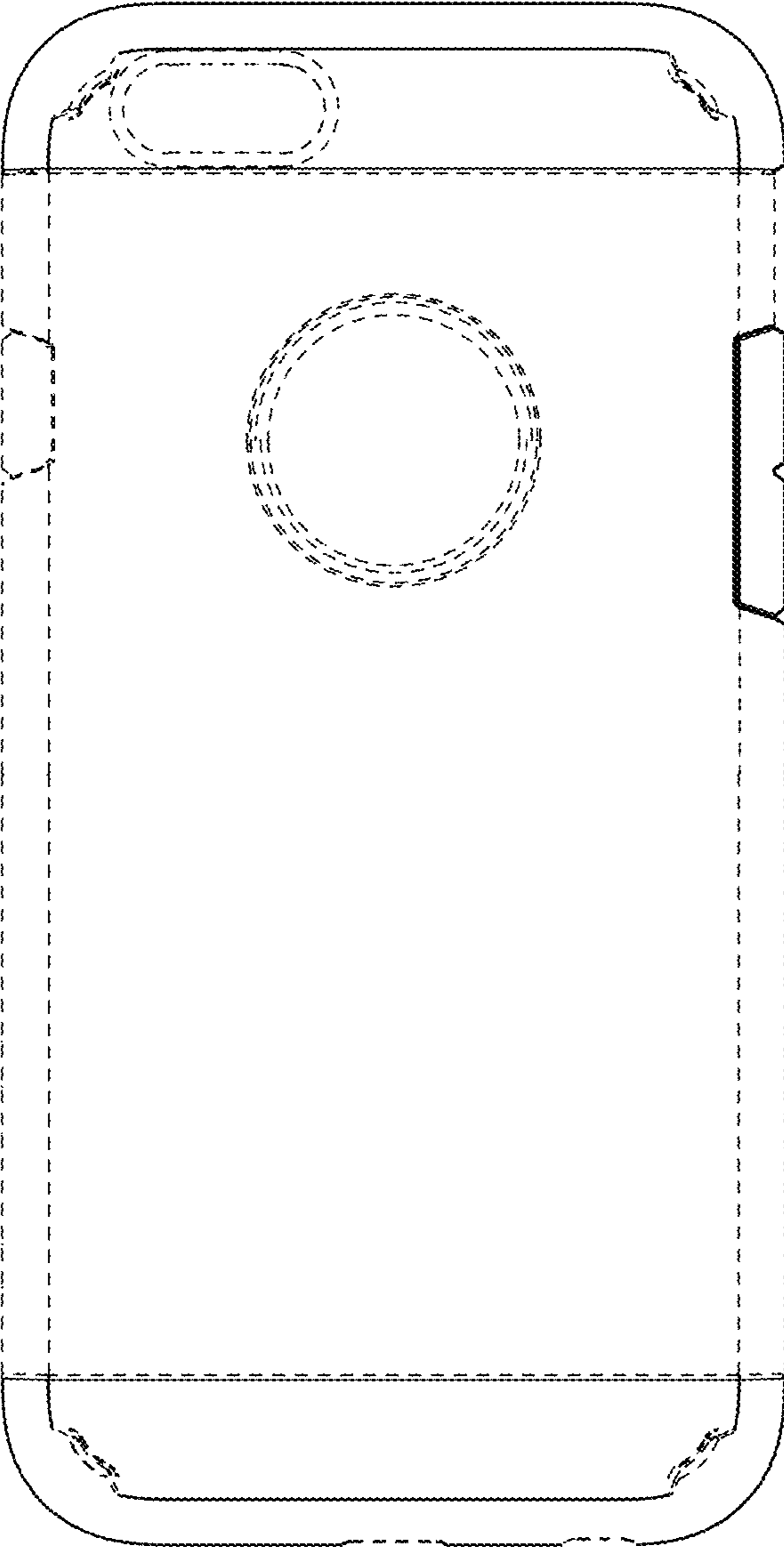


FIG. 6

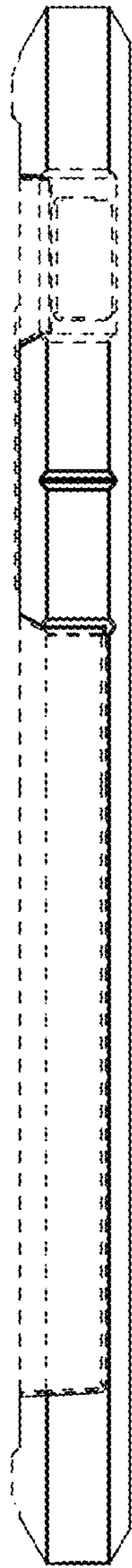


FIG. 7

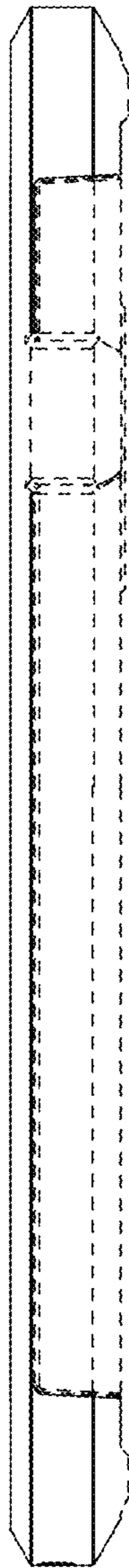


FIG. 8

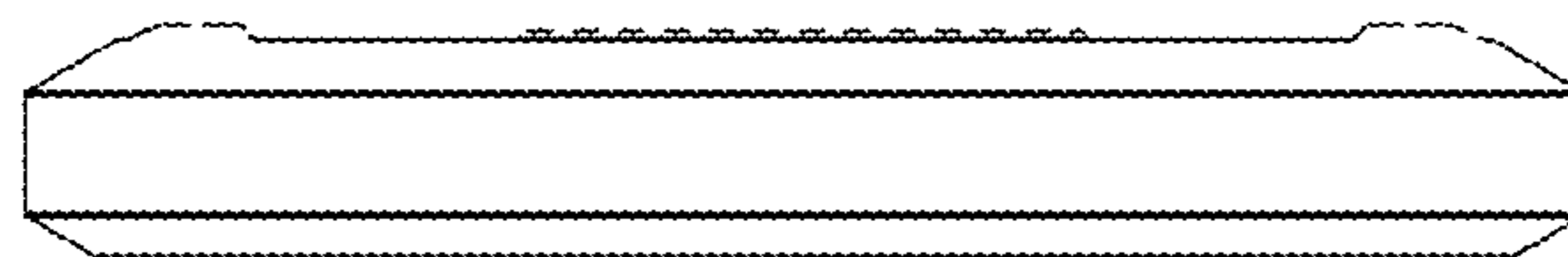


FIG. 9

