



US00D786231S

(12) **United States Design Patent** (10) **Patent No.:** **US D786,231 S**
Dowless (45) **Date of Patent:** **** May 9, 2017**

(54) **MOBILE TELEPHONE COVER**
(71) Applicant: **Stacy M. Dowless**, Salinas, CA (US)
(72) Inventor: **Stacy M. Dowless**, Salinas, CA (US)
(**) Term: **15 Years**
(21) Appl. No.: **29/559,196**
(22) Filed: **Mar. 25, 2016**
(51) **LOC (10) Cl.** **14-03**
(52) **U.S. Cl.**
USPC **D14/250**
(58) **Field of Classification Search**
USPC D14/238.1, 440, 203.3–203.7, 217, 240,
D14/447, 250, 251–253, 248, 496, 391;
D3/201, 218, 247, 269, 273, 301, 303;
D13/103, 107–108, 119
CPC H04B 1/3888; H04M 1/0283; H04M
1/0202; A45C 1/06; A45C 2011/002;
A45C 11/00; A45C 13/02; A45F
2005/026; A45F 2200/0525; A45F
2200/0516
See application file for complete search history.

(56) **References Cited**
U.S. PATENT DOCUMENTS
D329,750 S * 9/1992 Gilmore 224/240
D348,472 S * 7/1994 Cyfko D14/250
D359,288 S * 6/1995 Underwood D14/244
D516,576 S * 3/2006 Ive D14/203.7
D519,275 S * 4/2006 Shertzer D3/218
D560,350 S * 1/2008 Scapillato D3/201
D563,093 S * 3/2008 Nussberger D3/201
D568,042 S * 5/2008 Cerullo D3/218
D574,819 S * 8/2008 Andre D3/269
D613,282 S * 4/2010 Richardson D14/250
7,921,890 B2 4/2011 Ho
D668,700 S 10/2012 Jim
D673,554 S * 1/2013 Simmer D14/250
D675,197 S * 1/2013 Losiewicz D14/250

D675,198 S * 1/2013 Andre D14/250
D677,250 S * 3/2013 Takamoto D14/250
D678,259 S * 3/2013 Moore D14/250
D679,270 S * 4/2013 Eicher D14/250
D684,357 S * 6/2013 Pegg D3/218
D686,605 S 7/2013 Palmeri
D720,341 S * 12/2014 Sharudenko D14/250
D724,574 S * 3/2015 Williams D14/250
D726,174 S * 4/2015 Wahlin D14/250
D744,471 S * 12/2015 Fitzgerald D14/250
D756,343 S * 5/2016 Wall D14/250
D773,448 S * 12/2016 Armillotti D14/250
2010/0116702 A1 5/2010 Schentrup et al.
2011/0031160 A1* 2/2011 Leggett A45C 11/00
206/701
2012/0302294 A1* 11/2012 Hammond H04M 1/18
455/567
2013/0079070 A1 3/2013 Losiewicz
2013/0157730 A1 6/2013 McCormac et al.
2013/0214018 A1 8/2013 Zhang et al.
2014/0051480 A1 2/2014 Cruz

* cited by examiner

Primary Examiner — Carla Jobe Wright
(74) *Attorney, Agent, or Firm* — Robert C. Montgomery;
Montgomery Patent & Design LP.

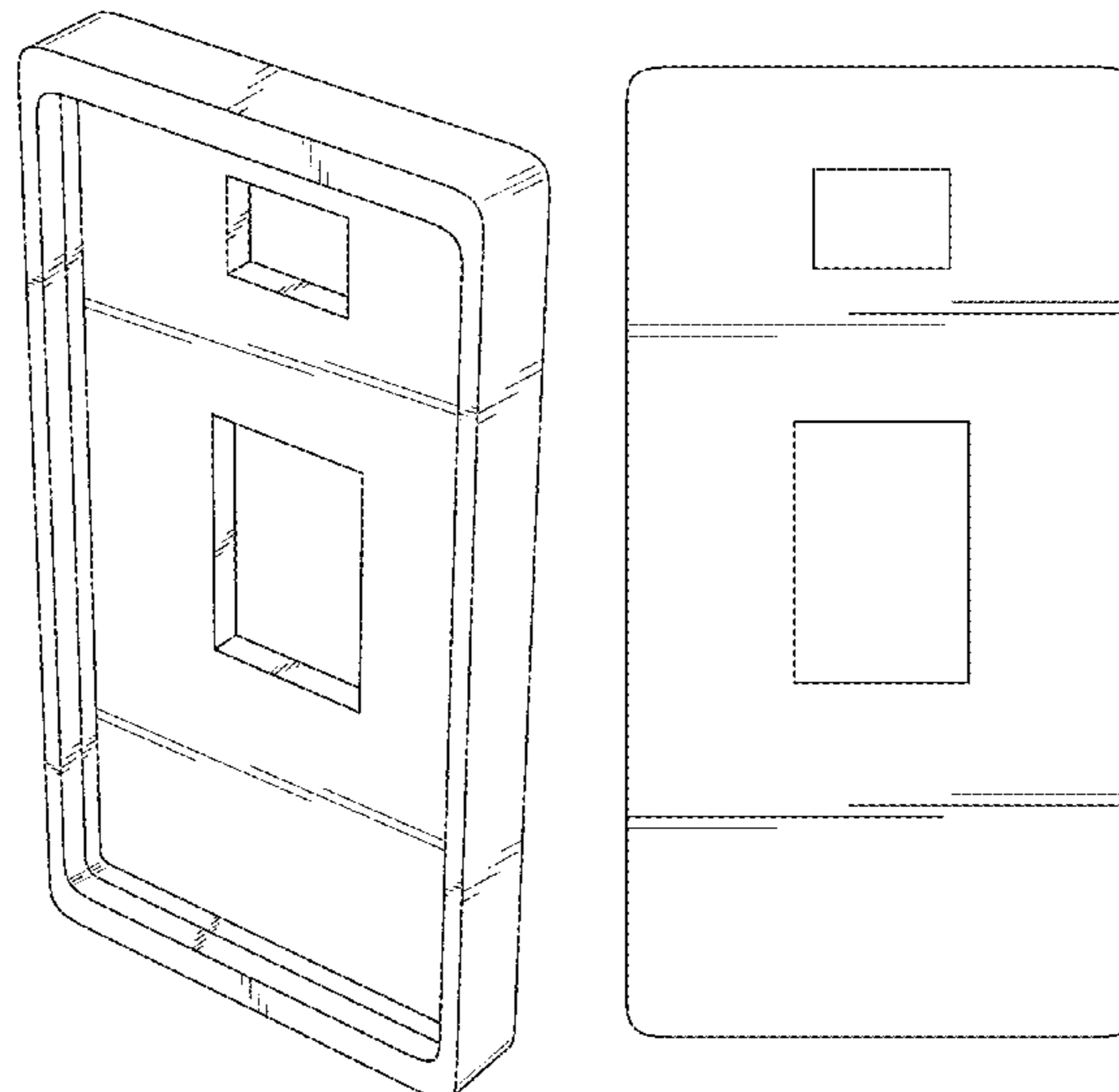
(57) **CLAIM**

The ornamental design for a mobile telephone cover, as shown and described.

DESCRIPTION

FIG. 1 is a perspective front view of a mobile telephone cover, showing my new design;
FIG. 2 is a perspective back view thereof;
FIG. 3 is a front elevation view thereof;
FIG. 4 is a back elevation view thereof;
FIG. 5 is a right elevation view with the left elevation view being a mirror image thereof; and,
FIG. 6 is a top plan view with the bottom plan view being a mirror image thereof.

1 Claim, 6 Drawing Sheets



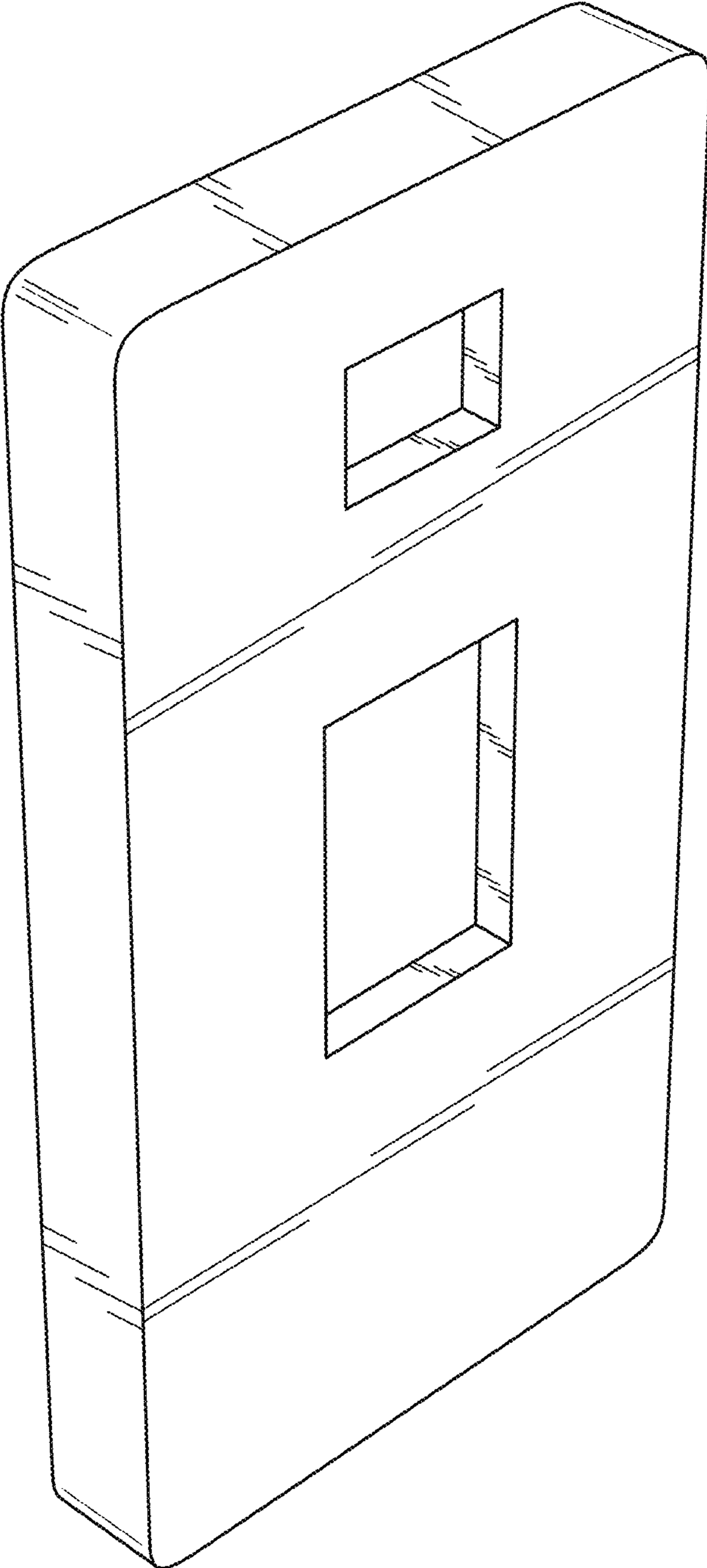


FIG. 1

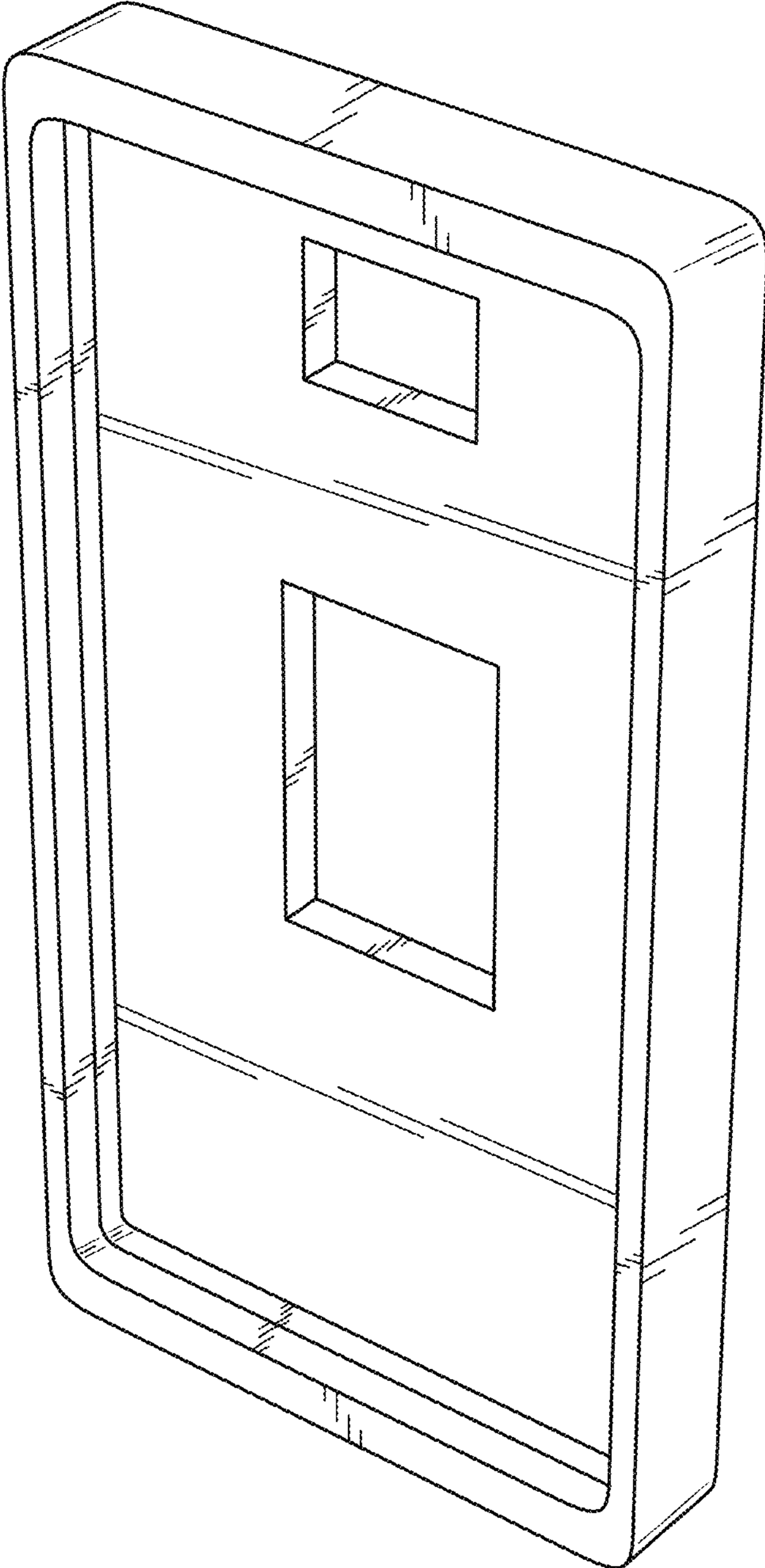


FIG. 2

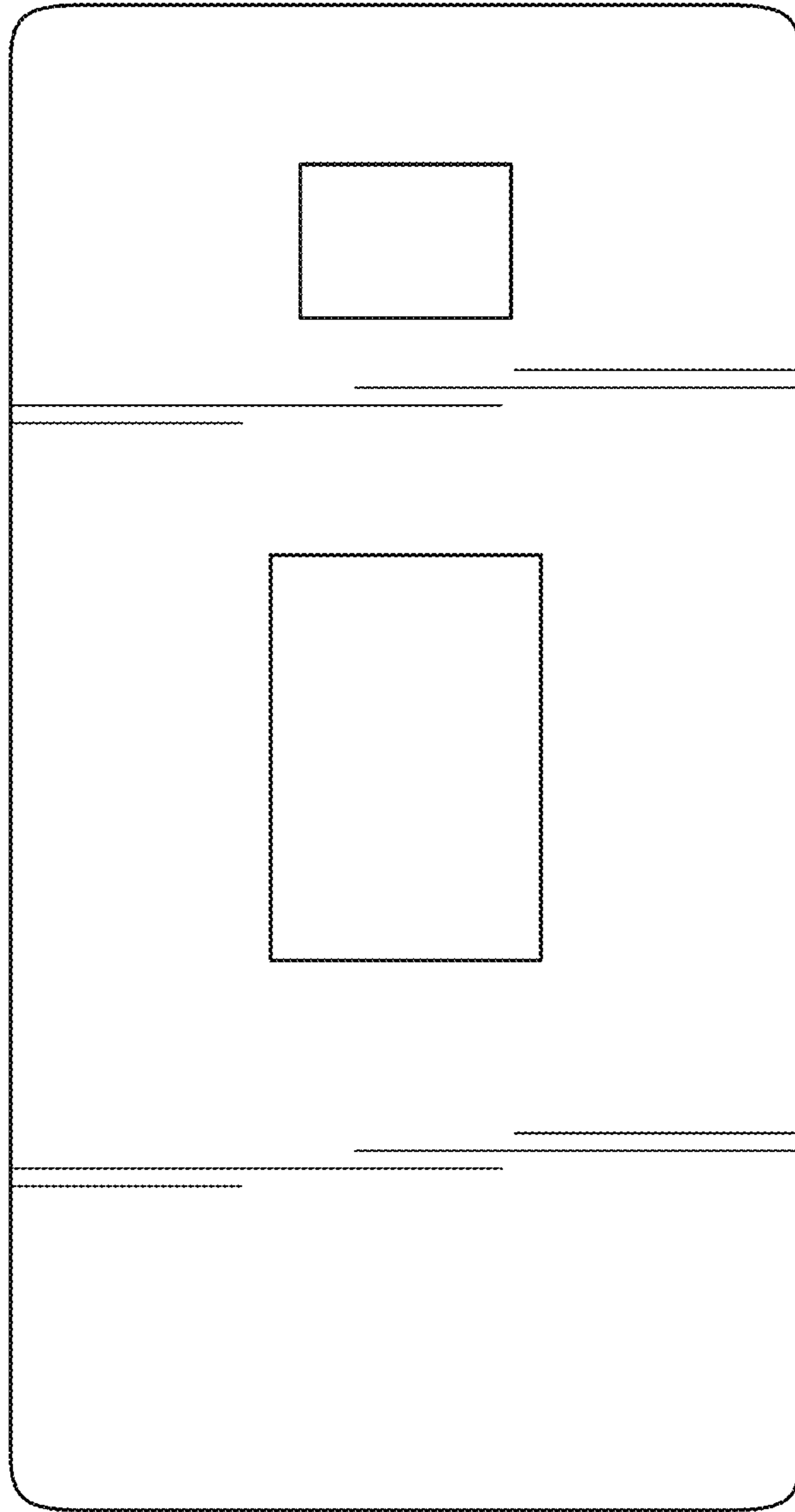


FIG. 3

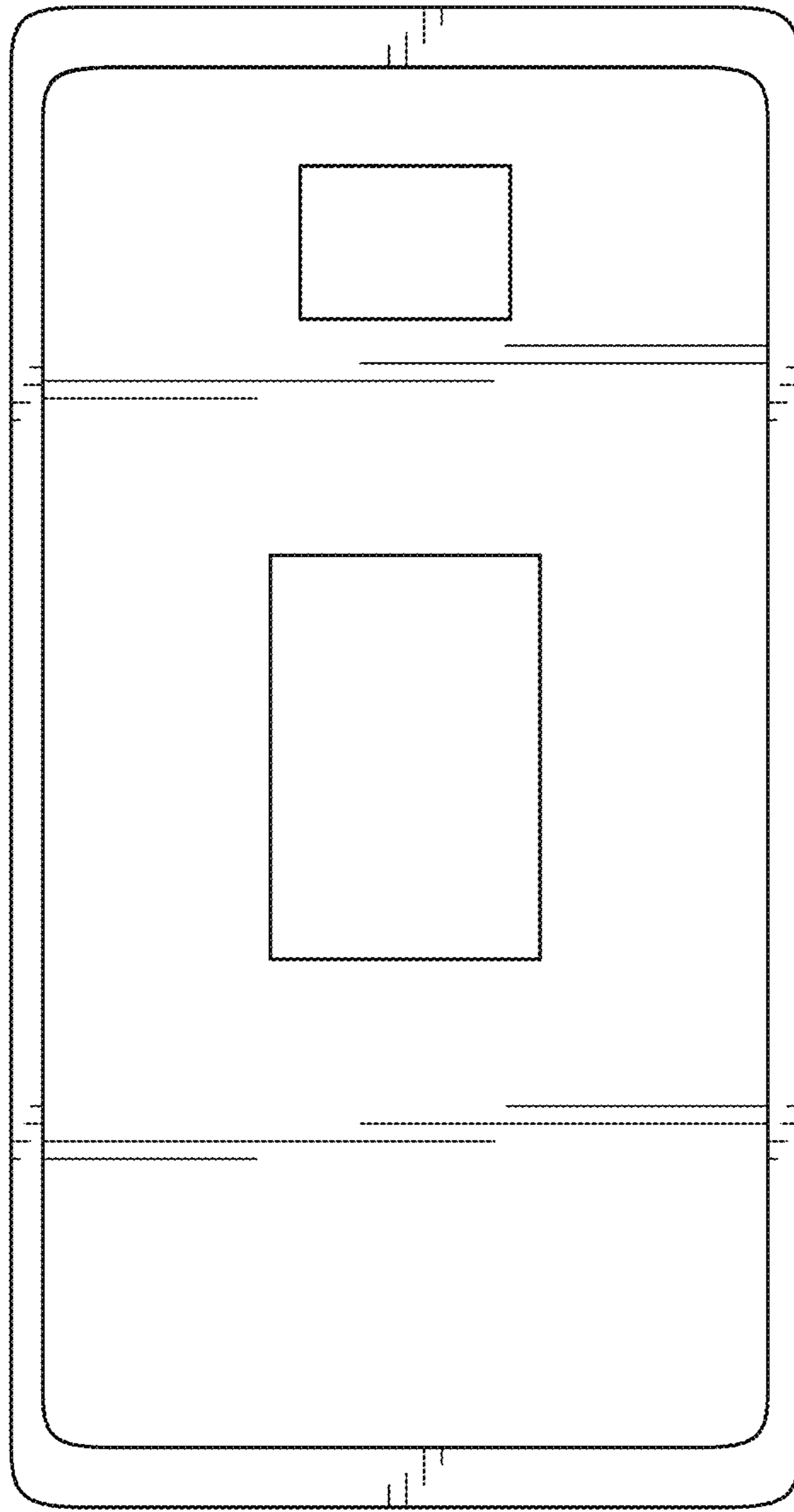


FIG. 4

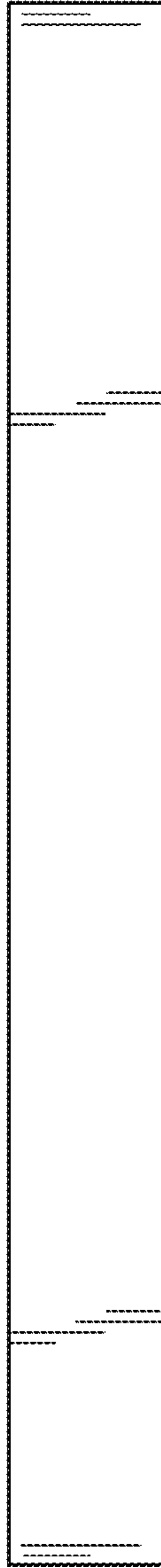


FIG. 5



FIG. 6