



US00D786230S

(12) **United States Design Patent** (10) **Patent No.:** **US D786,230 S**
Yang (45) **Date of Patent:** **** May 9, 2017**

(54) **MOBILE PHONE CASE**
(71) Applicant: **i-Blason, Inc.**, Alpharetta, GA (US)
(72) Inventor: **Xiaoqing Yang**, Alpharetta, GA (US)
(73) Assignee: **I-Blason, Inc.**, Alpharetta, GA (US)
(**) Term: **14 Years**
(21) Appl. No.: **29/489,073**
(22) Filed: **Apr. 25, 2014**
(51) **LOC (10) Cl.** **14-01**
(52) **U.S. Cl.**
USPC **D14/250**
(58) **Field of Classification Search**
USPC D14/250-253, 440, 203.3-203.7, 217,
D14/496, 248, 238.1, 240, 447, 230, 247,
D14/341, 345, 346, 439; D3/201, 218,
D3/269, 301, 273, 303; D13/103,
D13/107-108; 220/4.02; 248/309.1;
361/679.56; 379/426, 433.11, 455;
455/575.1, 575.8; 190/100; 206/305,
206/320
CPC . A45C 2011/002; A45C 11/00; A45C 13/002;
A45C 2011/003; H04M 1/0283; H04M
1/0202; H04M 1/185; H04B 1/3888
See application file for complete search history.

(56) **References Cited**
U.S. PATENT DOCUMENTS
D613,282 S * 4/2010 Richardson D14/250
D642,169 S * 7/2011 Andre D14/250
D658,164 S * 4/2012 Chan D14/238.1
D683,338 S * 5/2013 Wilson D14/250
D689,475 S * 9/2013 Andre D14/250
D695,730 S * 12/2013 Wicks D14/250
D696,234 S * 12/2013 Wright D14/250
D705,768 S * 5/2014 Melanson D14/250
D706,253 S * 6/2014 Simmer D14/250
D709,060 S * 7/2014 Melanson D14/250

D710,839 S * 8/2014 Chang D14/250
D716,781 S * 11/2014 Andre D14/250
D722,312 S * 2/2015 Tages D14/250
D724,070 S * 3/2015 Su D14/250
D739,394 S * 9/2015 Rayner D14/250
D741,844 S * 10/2015 Rayner D14/250
2012/0325720 A1* 12/2012 Tages G06F 1/1633
206/522
2013/0113348 A1* 5/2013 Holben H05K 5/03
312/223.1
2013/0175186 A1* 7/2013 Simmer A45C 11/00
206/37
2013/0271922 A1* 10/2013 Wilson H04M 1/185
361/724
2013/0292269 A1* 11/2013 Tages A45C 11/00
206/37

* cited by examiner

Primary Examiner — Sandra Snapp
Assistant Examiner — Holly E Thurman
(74) *Attorney, Agent, or Firm* — Wang Law Firm, Inc.

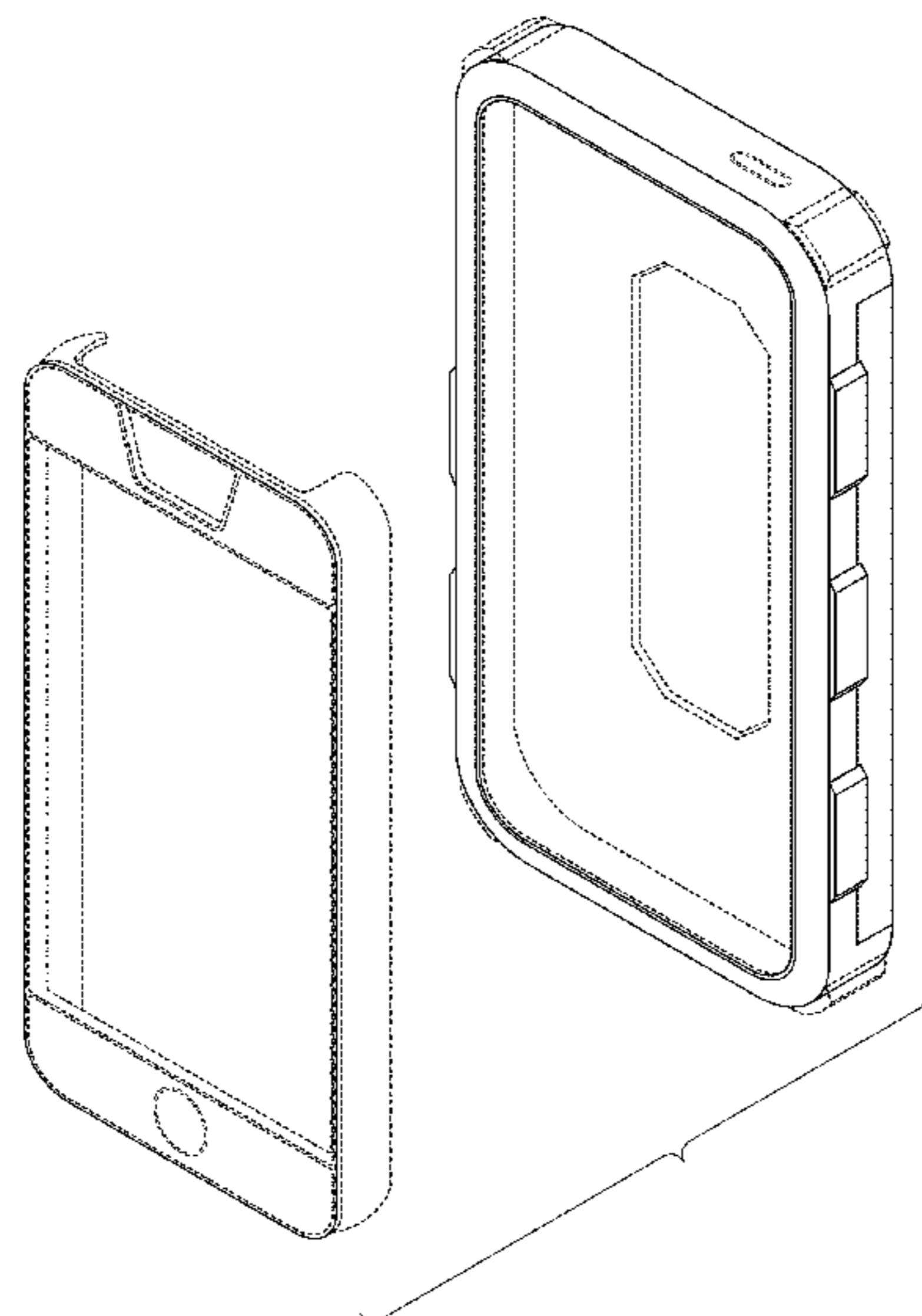
(57) **CLAIM**

The ornamental design for a mobile phone case, as shown and described.

DESCRIPTION

FIG. 1 is an exploded perspective view of the mobile phone case, comprised of a front and a rear portion, showing my new design;
FIG. 2 is a perspective view of the assembled mobile phone case;
FIG. 3 is a top view;
FIG. 4 is a front view;
FIG. 5 is a right side view;
FIG. 6 is a back view;
FIG. 7 is a left side view; and,
FIG. 8 is a bottom view.
The broken lines depict portions of the mobile phone case that form no part of the claimed design.

1 Claim, 4 Drawing Sheets



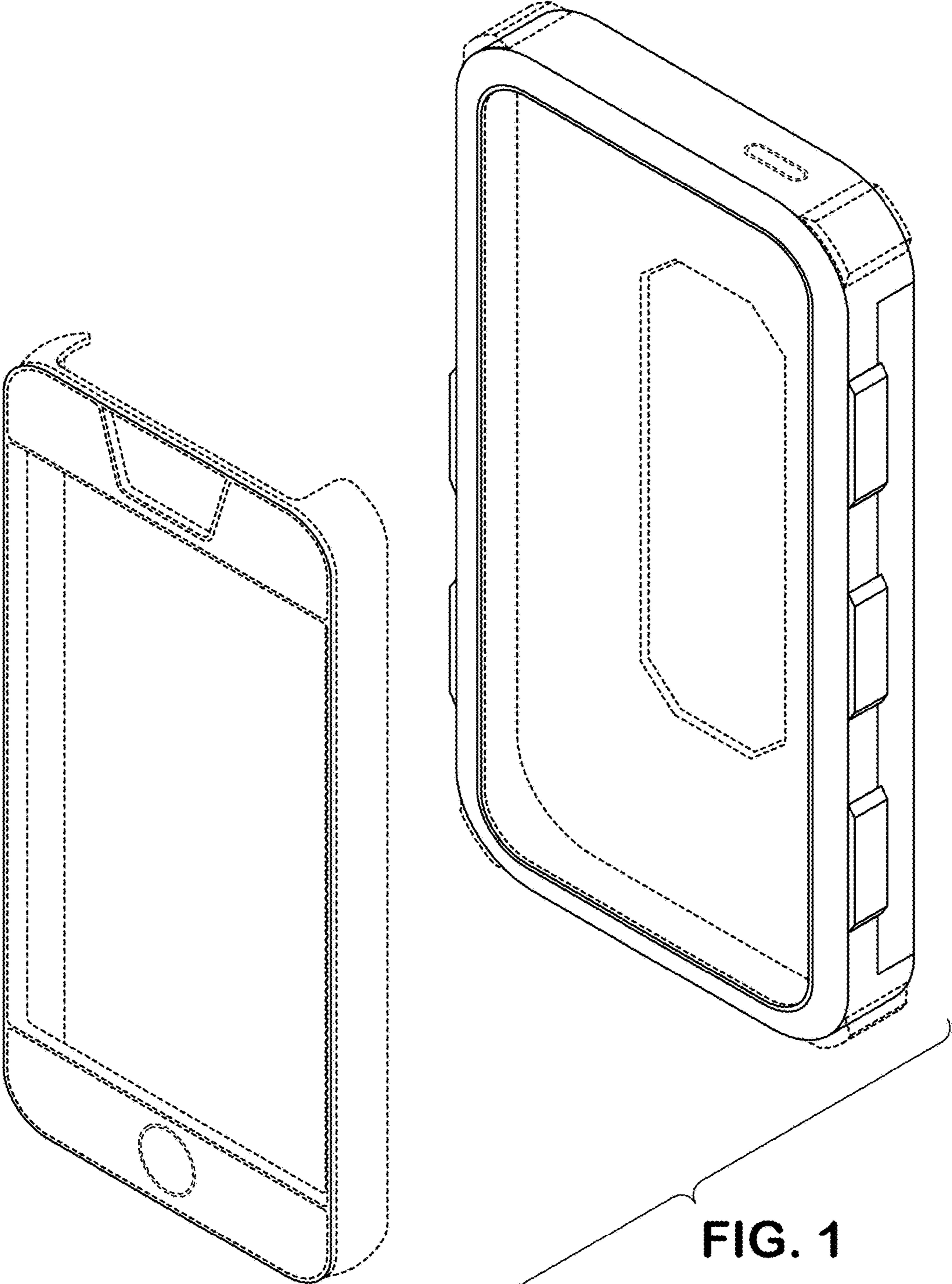


FIG. 1

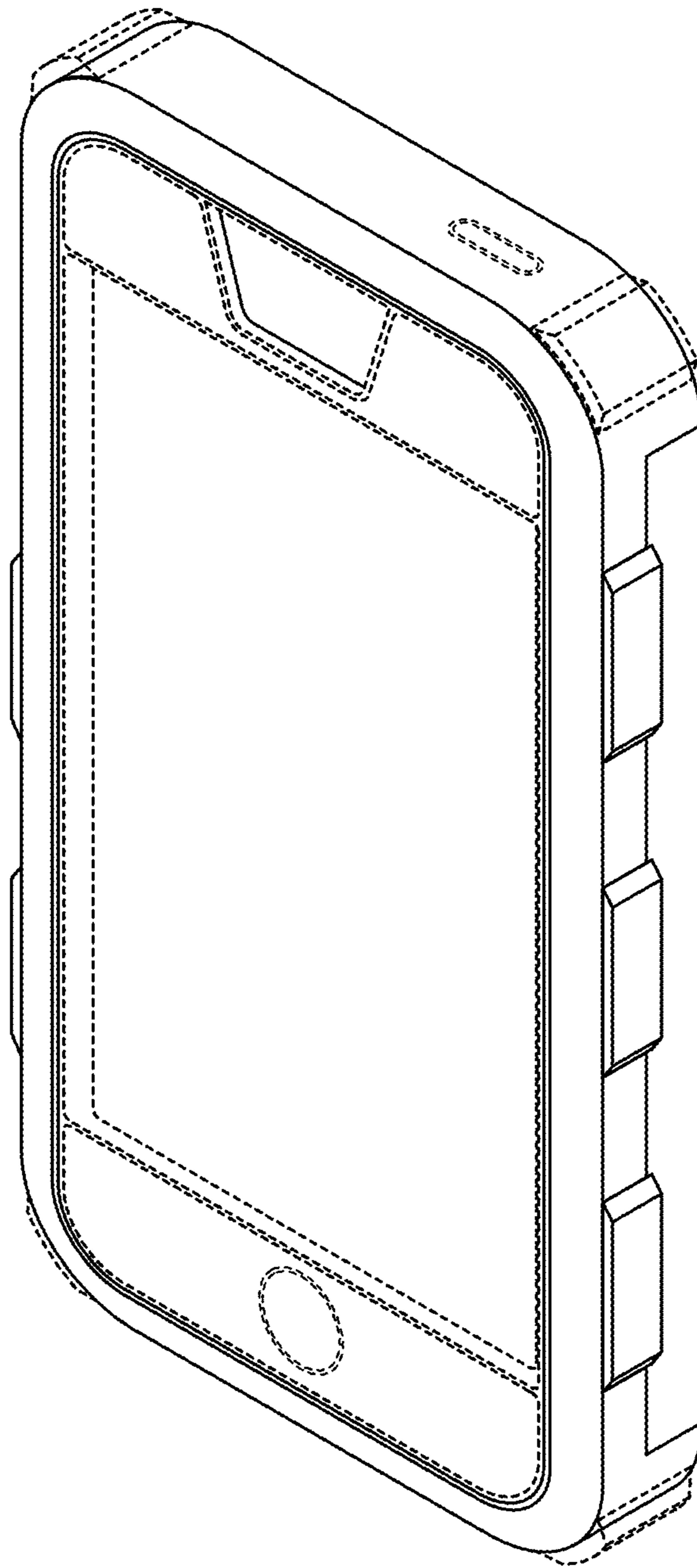


FIG. 2

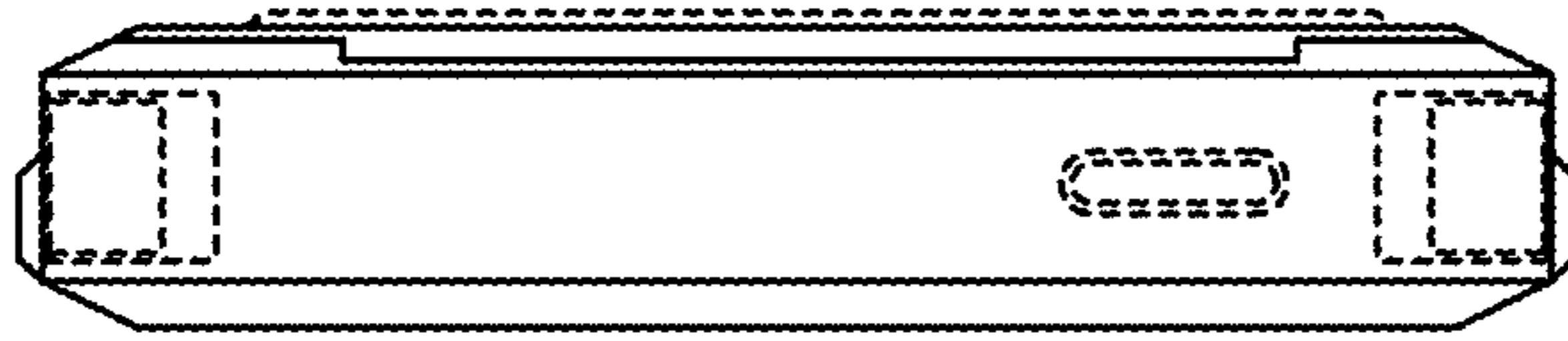


FIG. 3

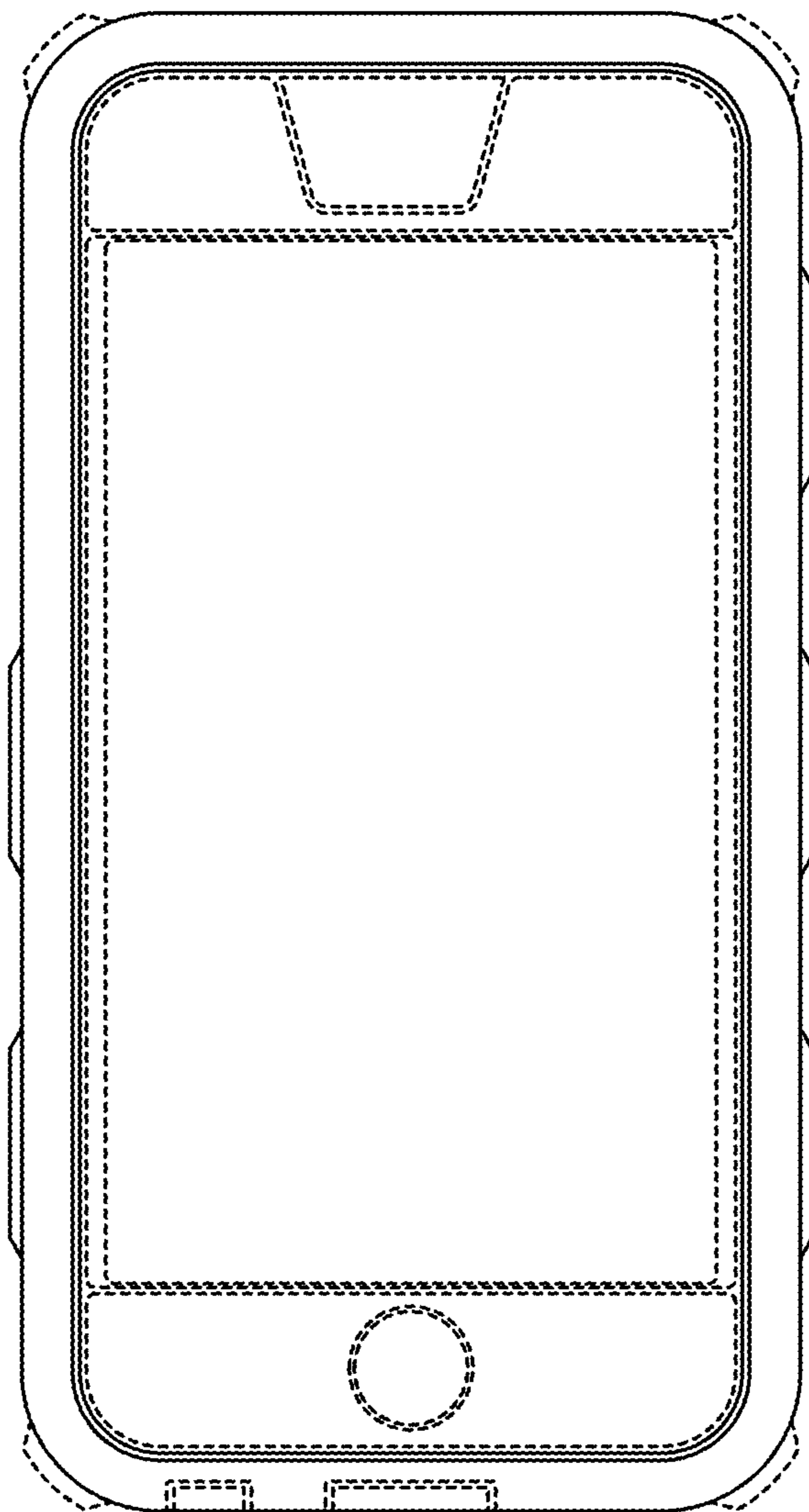


FIG. 4

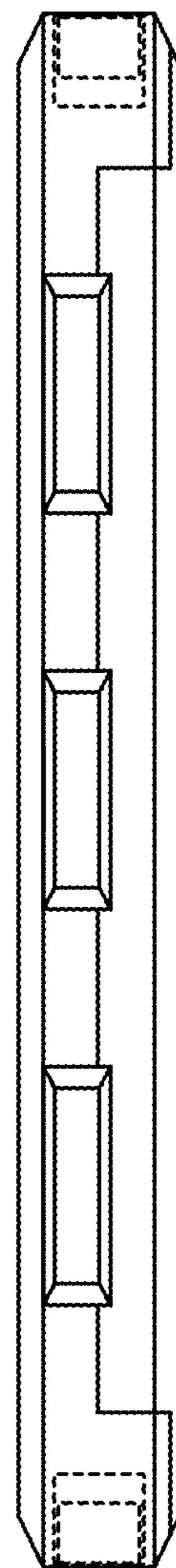


FIG. 5

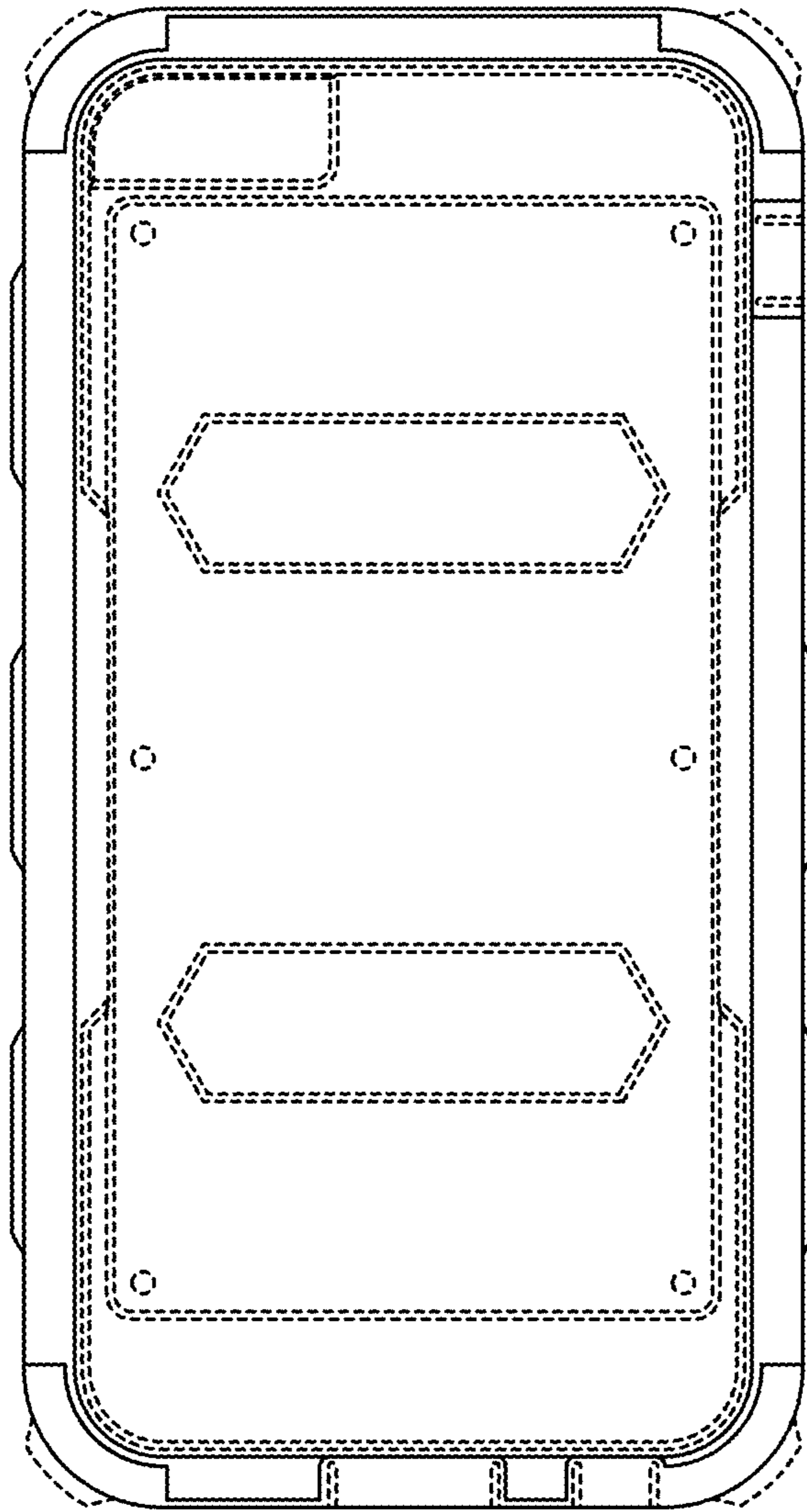


FIG. 6

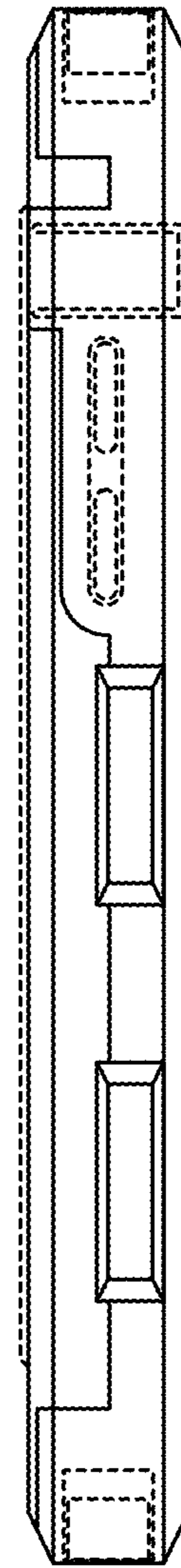


FIG. 7

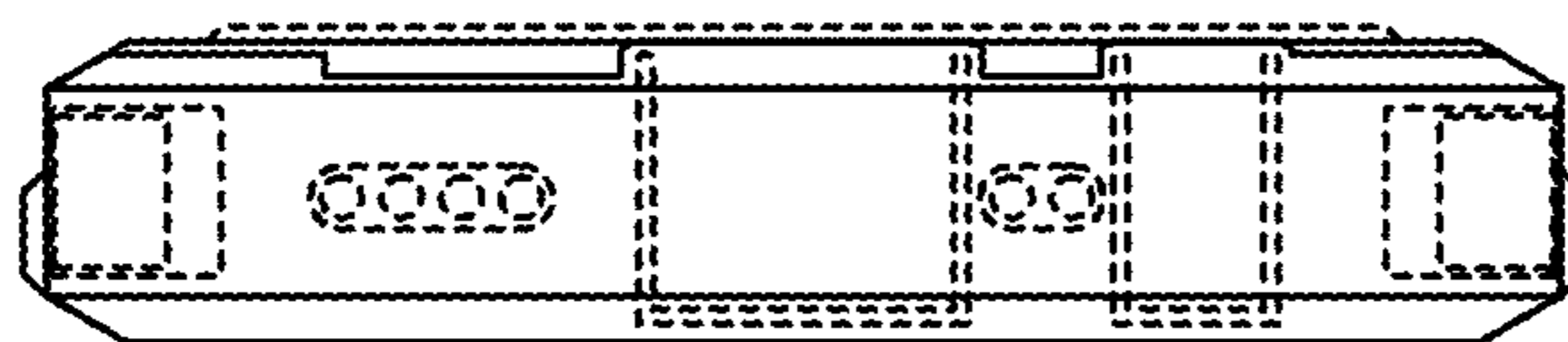


FIG. 8