



US00D786224S

(12) **United States Design Patent**  
**Heckler**

(10) **Patent No.:** **US D786,224 S**

(45) **Date of Patent:** **\*\* May 9, 2017**

(54) **FLOOR STAND FOR FLAT PANEL DISPLAY**

(71) Applicant: **Hecktech, Inc.**, Phoenix, AZ (US)

(72) Inventor: **Dean Heckler**, Phoenix, AZ (US)

(73) Assignee: **HECKTECH, INC.**, Phoenix, AZ (US)

(\*\*) Term: **15 Years**

(21) Appl. No.: **29/577,979**

(22) Filed: **Sep. 16, 2016**

(51) **LOC (10) Cl.** ..... **14-03**

(52) **U.S. Cl.**  
USPC ..... **D14/239**

(58) **Field of Classification Search**

USPC ..... D14/125-134, 239, 371, 136, 374-377,  
D14/440, 450, 448, 336, 342, 159;  
312/7.2; 348/836, 838, 180, 184, 325,  
348/739; 248/917-924, 465; 345/104,  
345/133, 156, 168, 87, 173; D21/329,  
D21/515, 577, 622, 333, 433, 448, 452,  
D21/450, 331, 505; D10/15, 26;  
446/484, 175, 356; D6/477, 479, 300;  
D24/185; D34/14  
CPC ... G06F 1/1601; G06F 1/1643; H05K 5/0004;  
H05K 5/0017; H05K 5/02; H05K 5/0217  
See application file for complete search history.

(56) **References Cited**

**U.S. PATENT DOCUMENTS**

5,973,667 A \* 10/1999 Kaye ..... A47B 97/001  
312/257.1  
8,079,311 B2 \* 12/2011 Whalen ..... F16M 11/00  
108/42

D712,690 S \* 9/2014 Xiang ..... D6/678.1  
D746,824 S \* 1/2016 Heckler ..... D14/447  
D759,636 S \* 6/2016 Lee ..... D14/239  
9,383,060 B2 \* 7/2016 Geier ..... F16M 11/048  
9,581,290 B2 \* 2/2017 Geier ..... F16M 13/02

\* cited by examiner

*Primary Examiner* — Randall Gholson

(74) *Attorney, Agent, or Firm* — Hartman Titus PLC;  
John D. Titus

(57) **CLAIM**

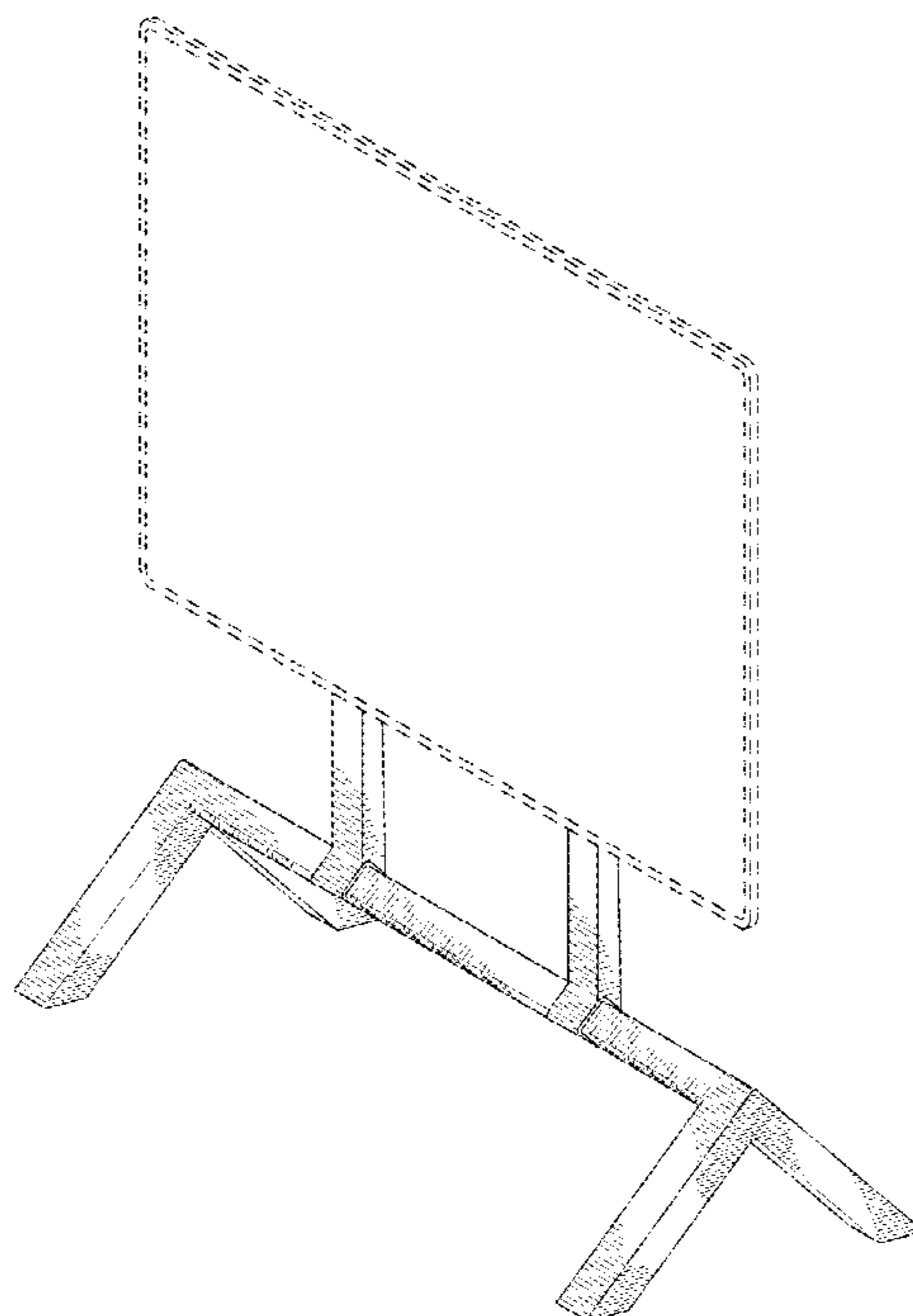
The ornamental design for a floor stand for flat panel display,  
as shown.

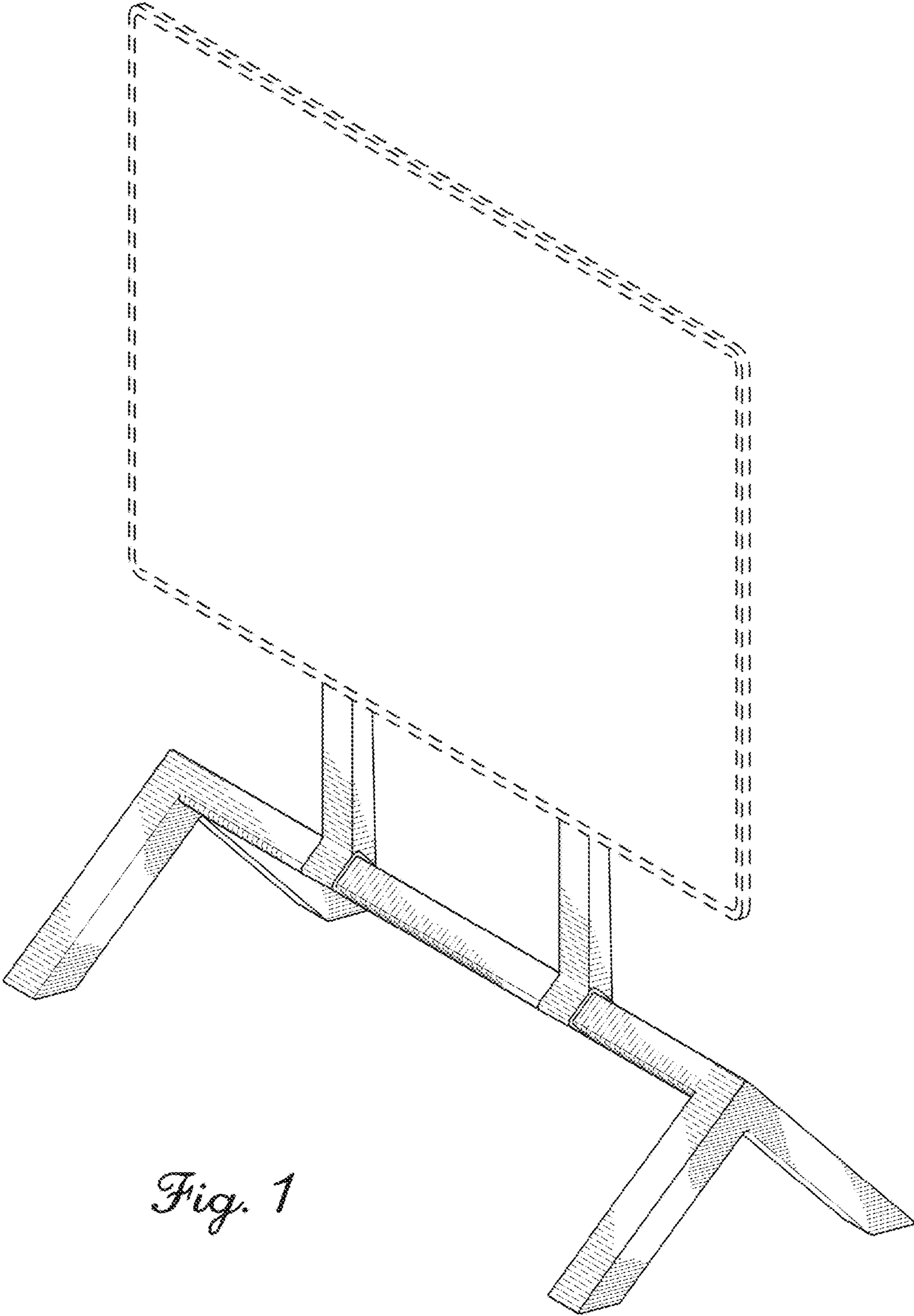
**DESCRIPTION**

FIG. 1 is a front perspective view of a floor stand for flat panel display showing an embodiment of my new design; FIG. 2 is a rear perspective view of the floor stand for flat panel display shown in FIG. 1; FIG. 3 is a top view of the floor stand for flat panel display shown in FIG. 1; FIG. 4 is bottom view of the floor stand for flat panel display shown in FIG. 1; FIG. 5 is a front view of the floor stand for flat panel display shown in FIG. 1; FIG. 6 is a rear view of the floor stand for flat panel display shown in FIG. 1; FIG. 7 is a right side view of the floor stand for flat panel display shown in FIG. 1; and, FIG. 8 is a left side view of the floor stand for flat panel display shown in FIG. 1.

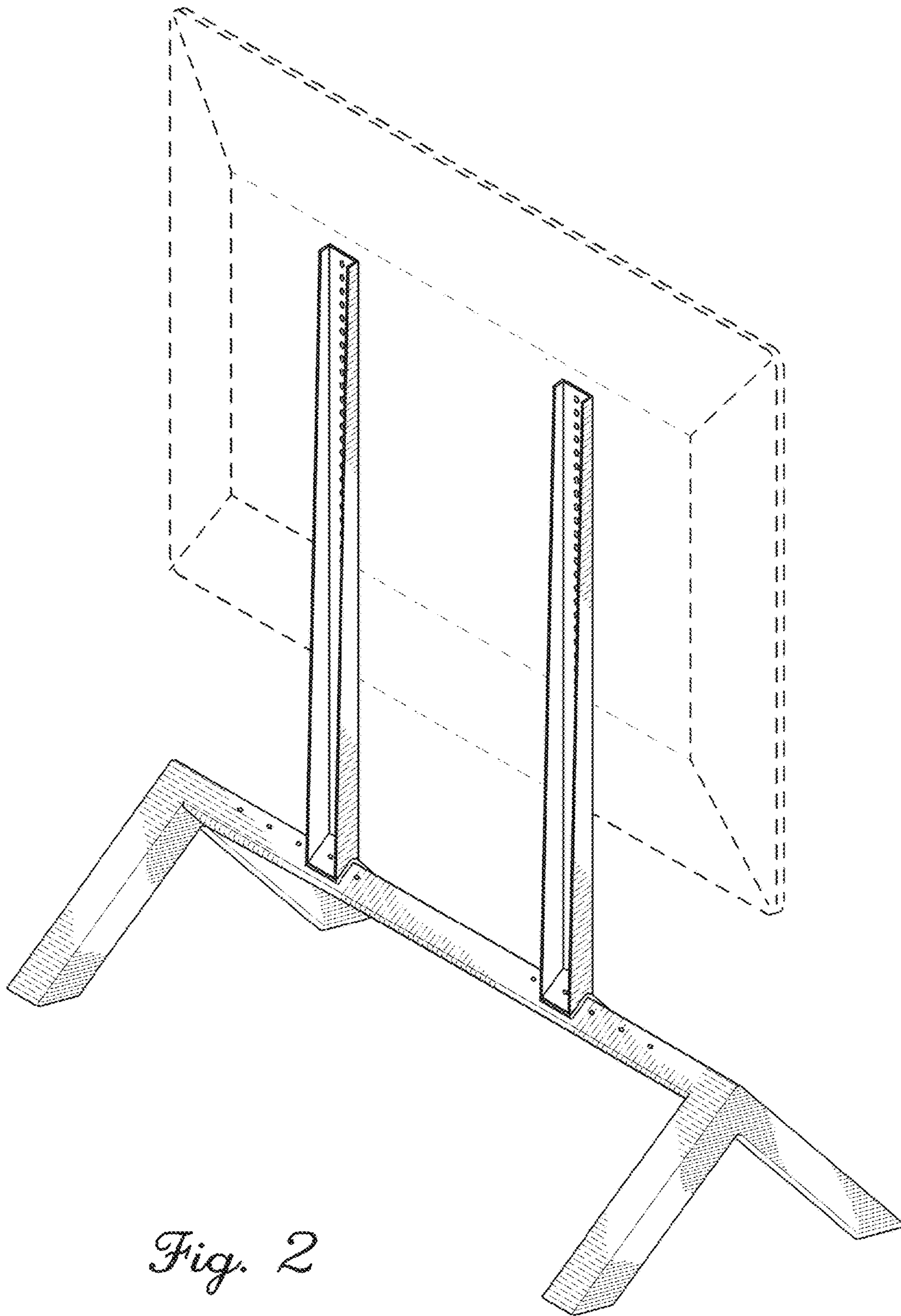
The broken lines in the drawings show environmental subject matter only and form no part of the claimed design.

**1 Claim, 6 Drawing Sheets**

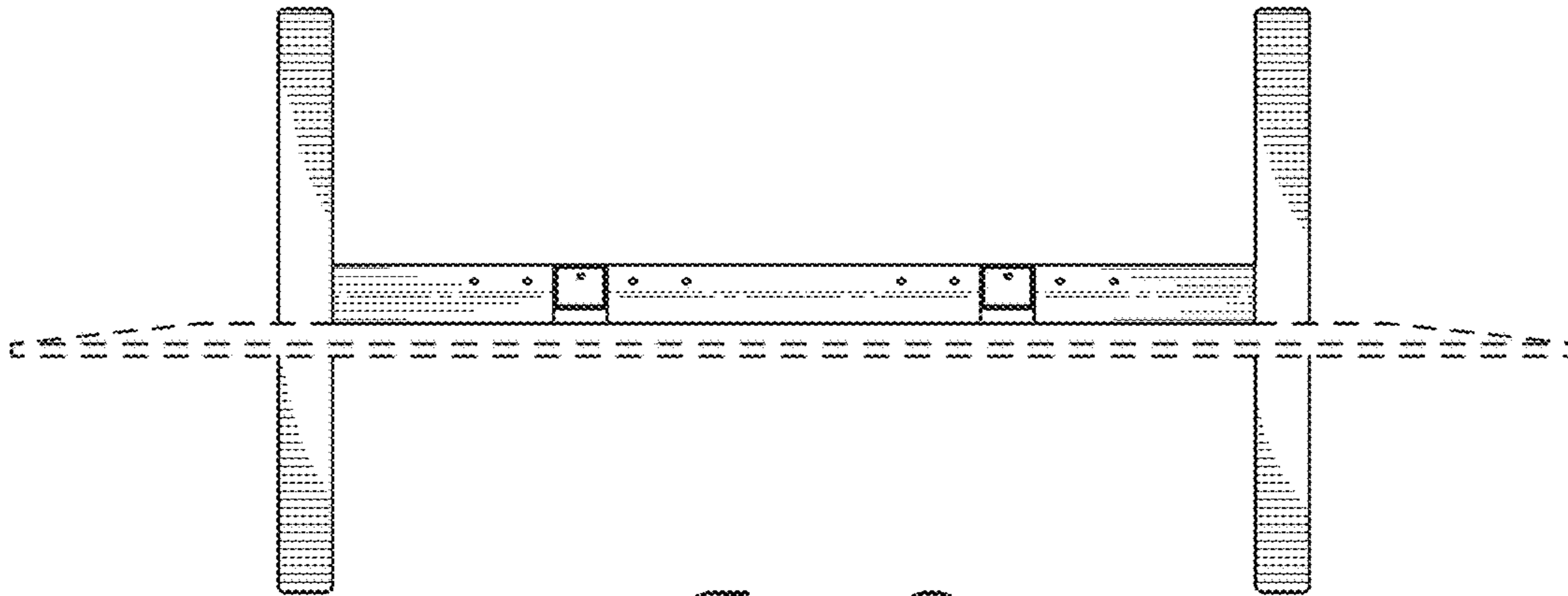




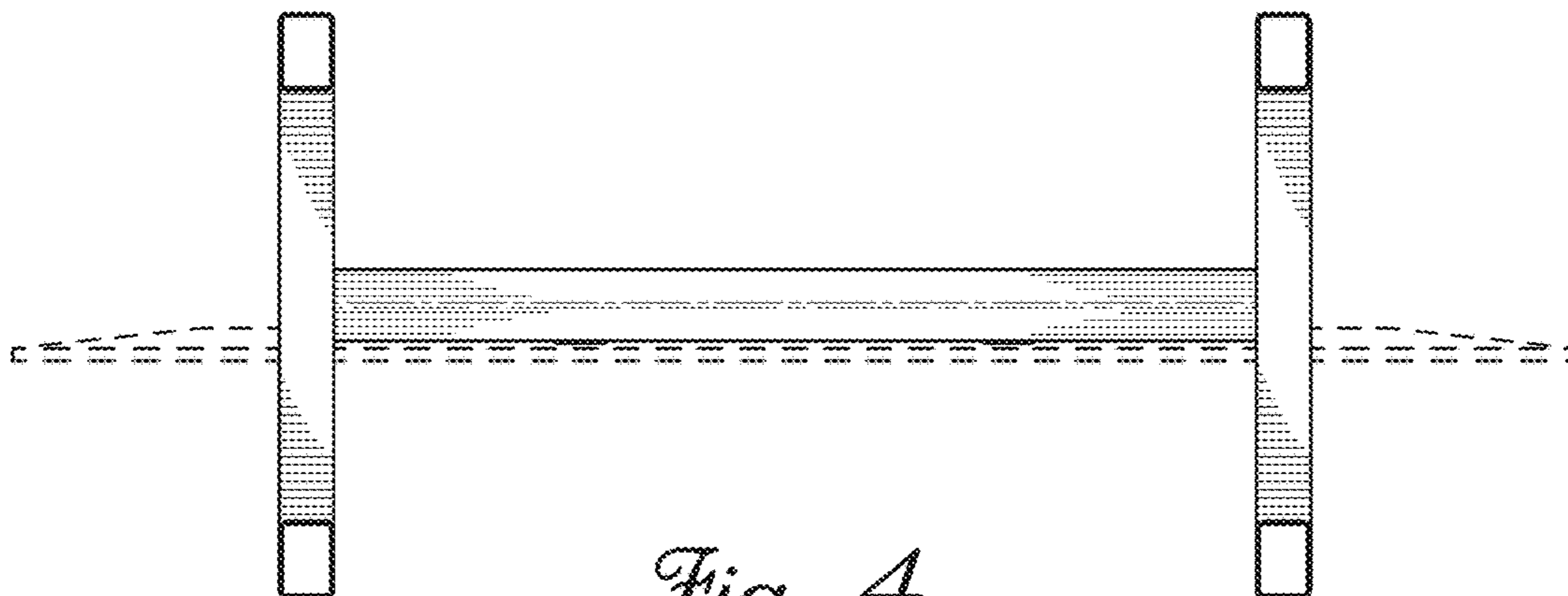
*Fig. 1*



*Fig. 2*

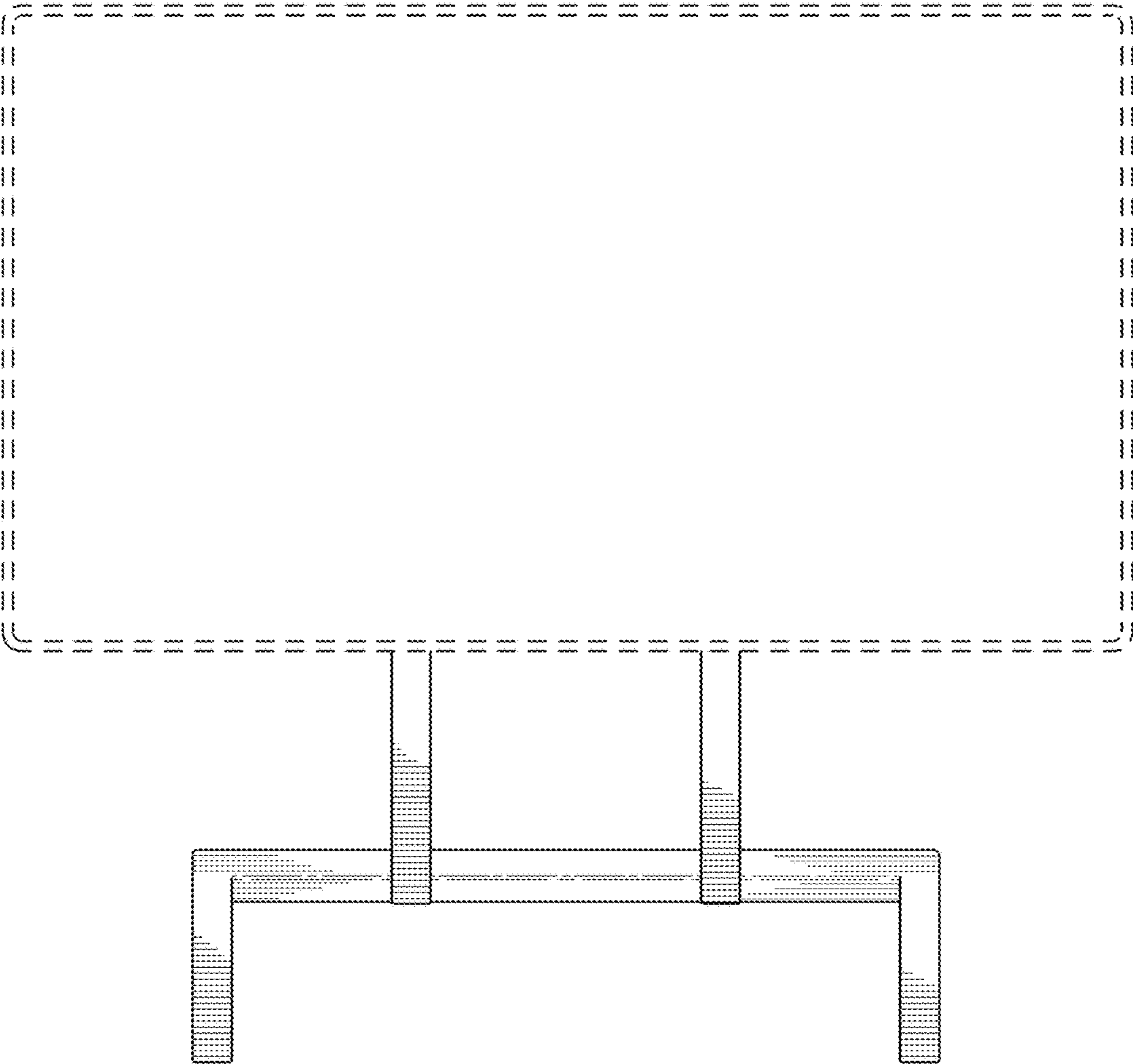


*Fig. 3*

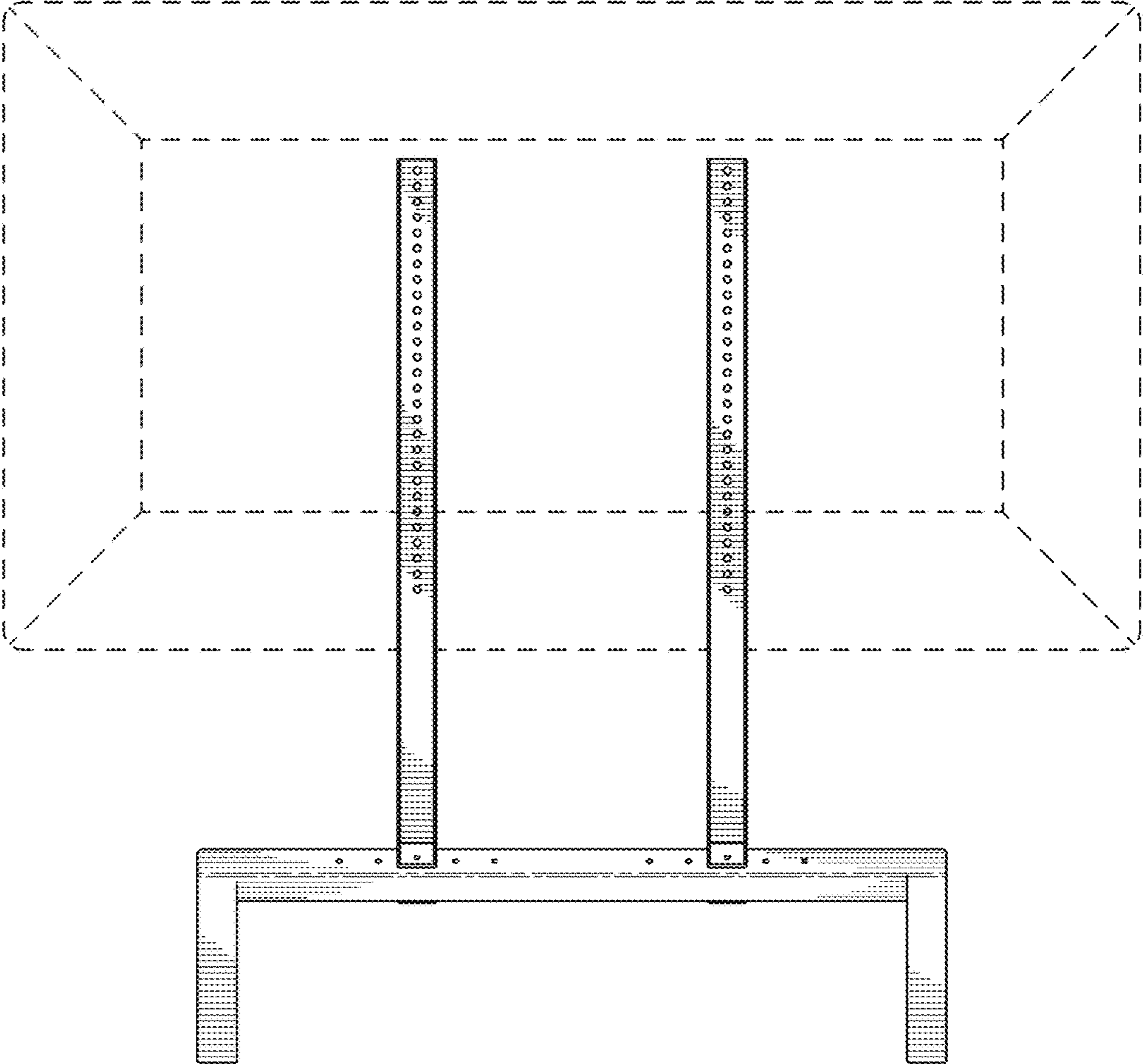


*Fig. 4*

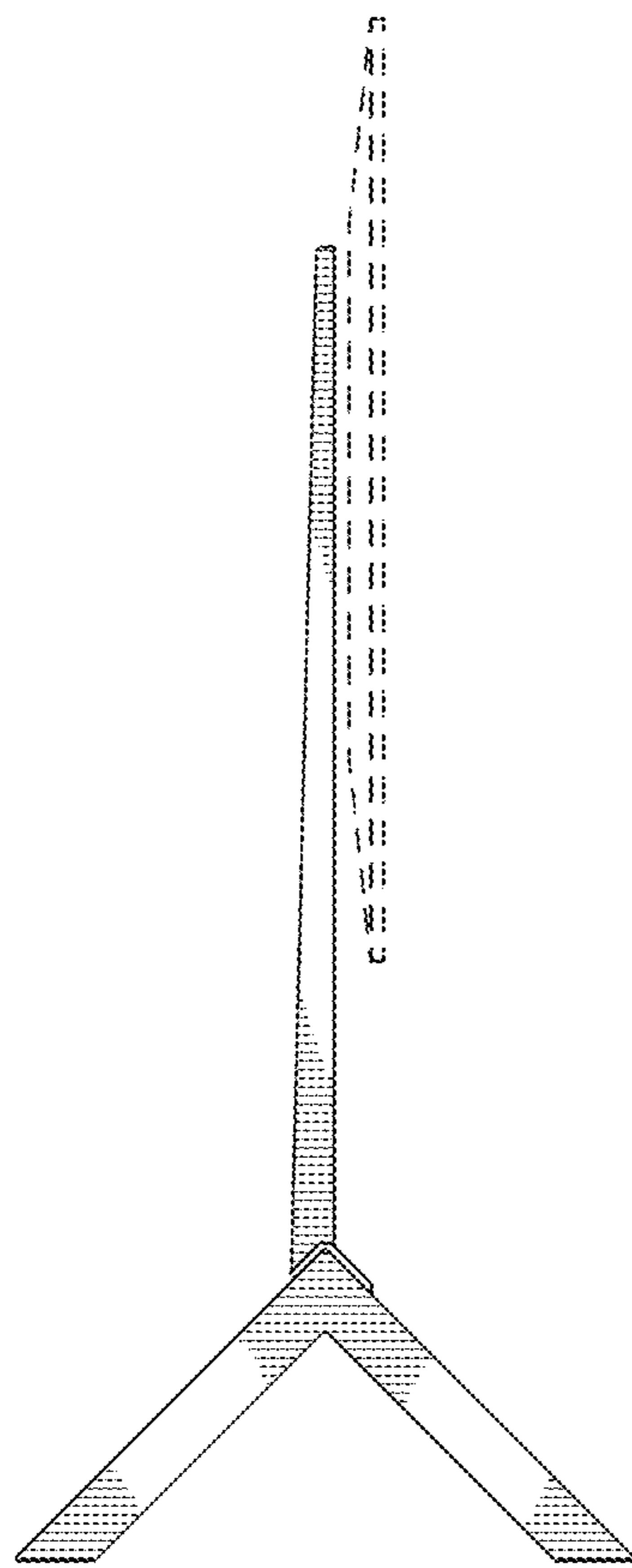




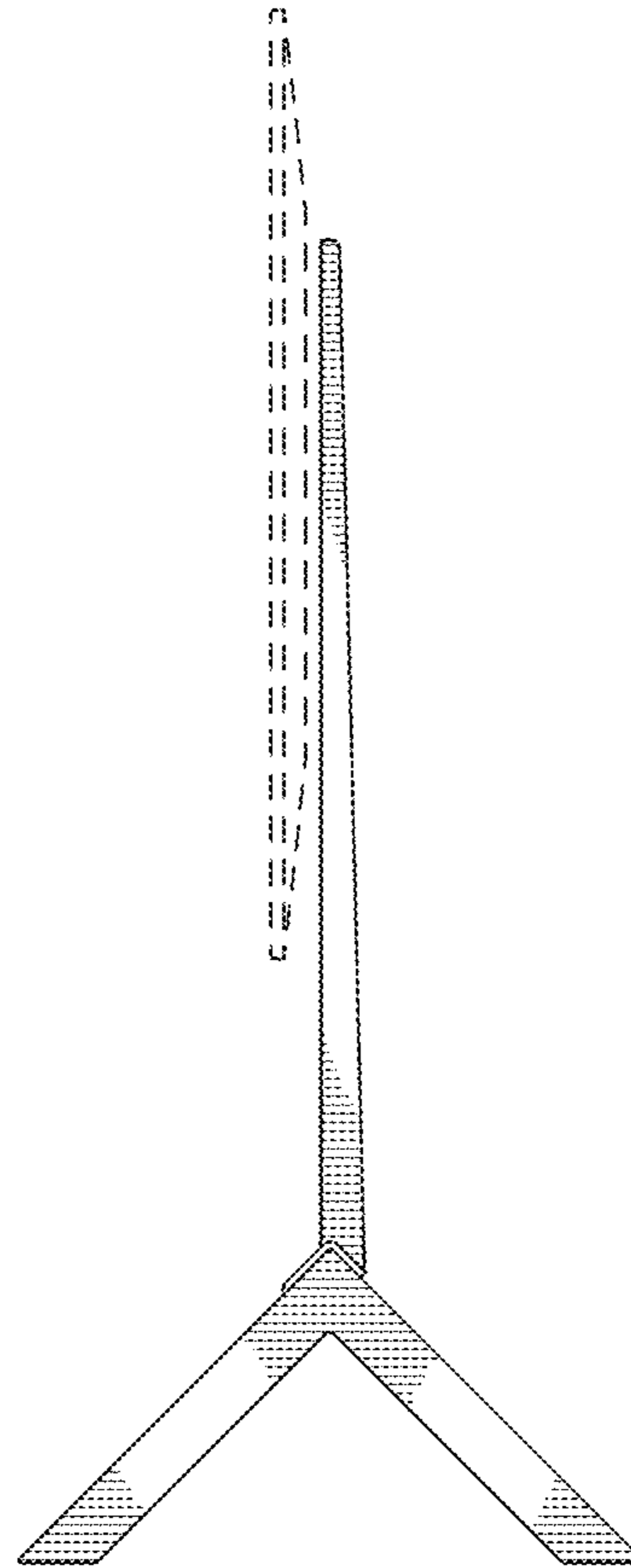
*Fig. 5*



*Fig. 6*



*Fig. 7*



*Fig. 8*