



US00D786221S

(12) **United States Design Patent**  
**Stoch**

(10) **Patent No.:** **US D786,221 S**

(45) **Date of Patent:** **\*\* May 9, 2017**

- (54) **EARBUD**
- (71) Applicant: **Adrian Stoch**, New York, NY (US)
- (72) Inventor: **Adrian Stoch**, New York, NY (US)
- (\*\*) Term: **15 Years**
- (21) Appl. No.: **29/555,250**
- (22) Filed: **Feb. 19, 2016**
- (51) **LOC (10) Cl.** ..... **14-01**
- (52) **U.S. Cl.**  
USPC ..... **D14/223**
- (58) **Field of Classification Search**  
USPC ..... D14/223, 205, 206, 192, 218, 225;  
181/129, 130, 135; 379/420.03, 420.04,  
379/430, 431; 381/380, 381, 370, 374,  
381/375  
CPC .... H04R 1/1066; H04R 1/1016; H04R 25/00;  
H04R 1/10; H04R 5/0335; H04R 5/033;  
H04R 1/105; H04R 1/1033; H04R 1/1091  
See application file for complete search history.

(56) **References Cited**

U.S. PATENT DOCUMENTS

- 2,120,469 A \* 6/1938 Kyle ..... H01R 4/52  
439/787
- 2,501,107 A \* 3/1950 Volkmann ..... H04R 5/0335  
381/374
- 3,588,384 A \* 6/1971 Negley ..... H04M 1/05  
381/327
- D230,280 S \* 2/1974 Nygard ..... D24/174
- D241,881 S \* 10/1976 Peterson ..... D24/106
- D259,279 S \* 5/1981 Takeda ..... D24/106
- 4,532,649 A \* 7/1985 Bellafiore ..... H04R 25/65  
381/324
- 4,736,430 A \* 4/1988 Schroder ..... H04R 25/656  
381/322
- 4,981,194 A \* 1/1991 Kamon ..... H04R 1/08  
181/129

- 5,008,984 A \* 4/1991 Levy ..... A44C 5/2042  
24/303
- D318,670 S \* 7/1991 Taniguchi ..... D14/205
- D326,655 S \* 6/1992 Iribe ..... D14/192
- D334,043 S \* 3/1993 Taniguchi ..... D14/218
- 5,410,608 A \* 4/1995 Lucey ..... H04R 1/083  
381/360
- 6,056,082 A \* 5/2000 Lindgren ..... 1/12
- 6,122,367 A \* 9/2000 Eriksson ..... H04M 19/005  
379/377
- D431,553 S \* 10/2000 Suzuki ..... D14/223
- D435,036 S \* 12/2000 Koss ..... D14/223
- D460,432 S \* 7/2002 Brown ..... D14/192
- D464,945 S \* 10/2002 Bosch ..... D14/206
- D466,100 S \* 11/2002 Obata ..... D14/167
- D467,240 S \* 12/2002 Ruohonen ..... D14/205
- D468,301 S \* 1/2003 Fushimi ..... D14/223

(Continued)

*Primary Examiner* — Paula Greene

(74) *Attorney, Agent, or Firm* — Michael J. Feigin, Esq.;  
Feigin & Fridman

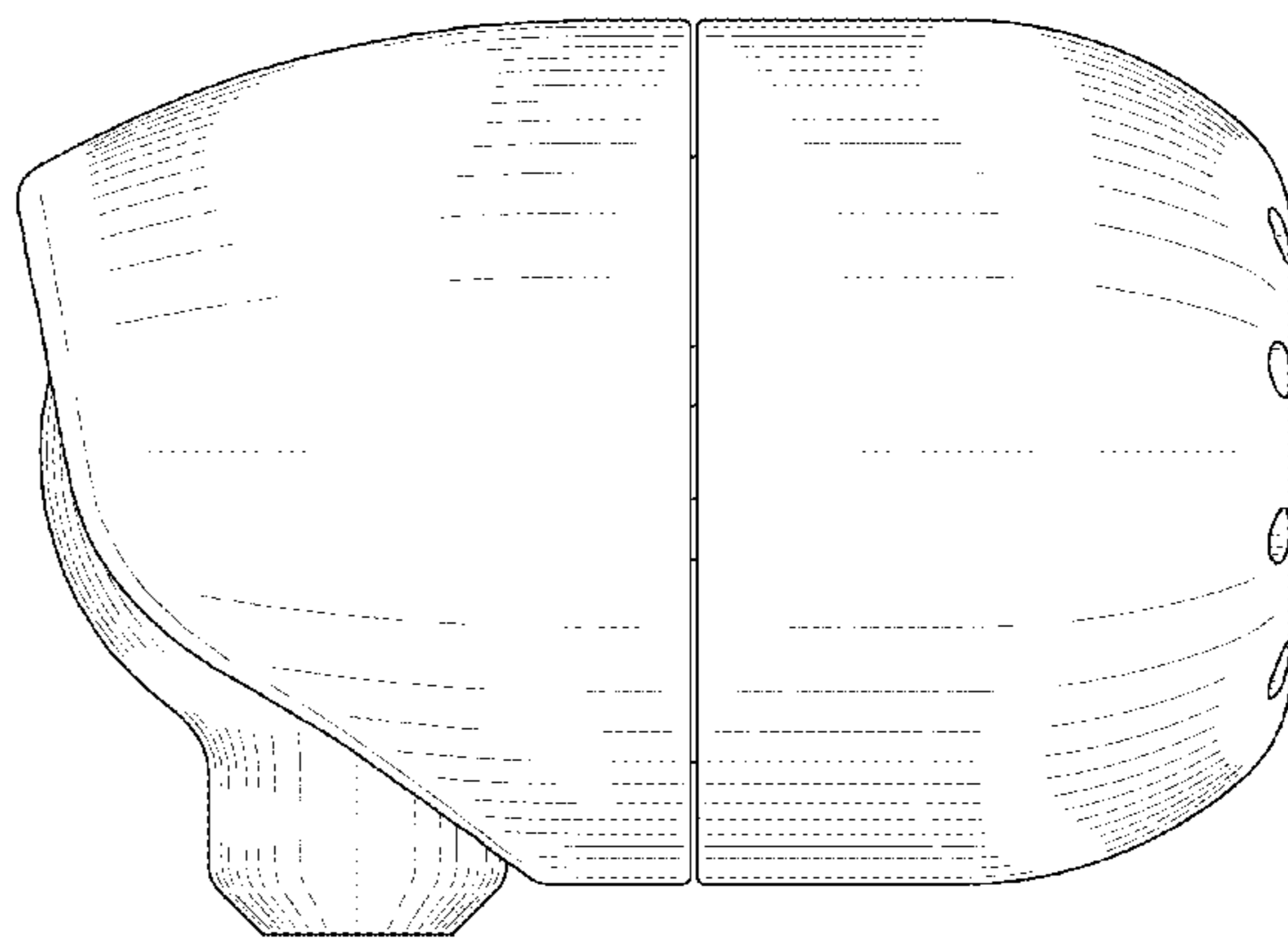
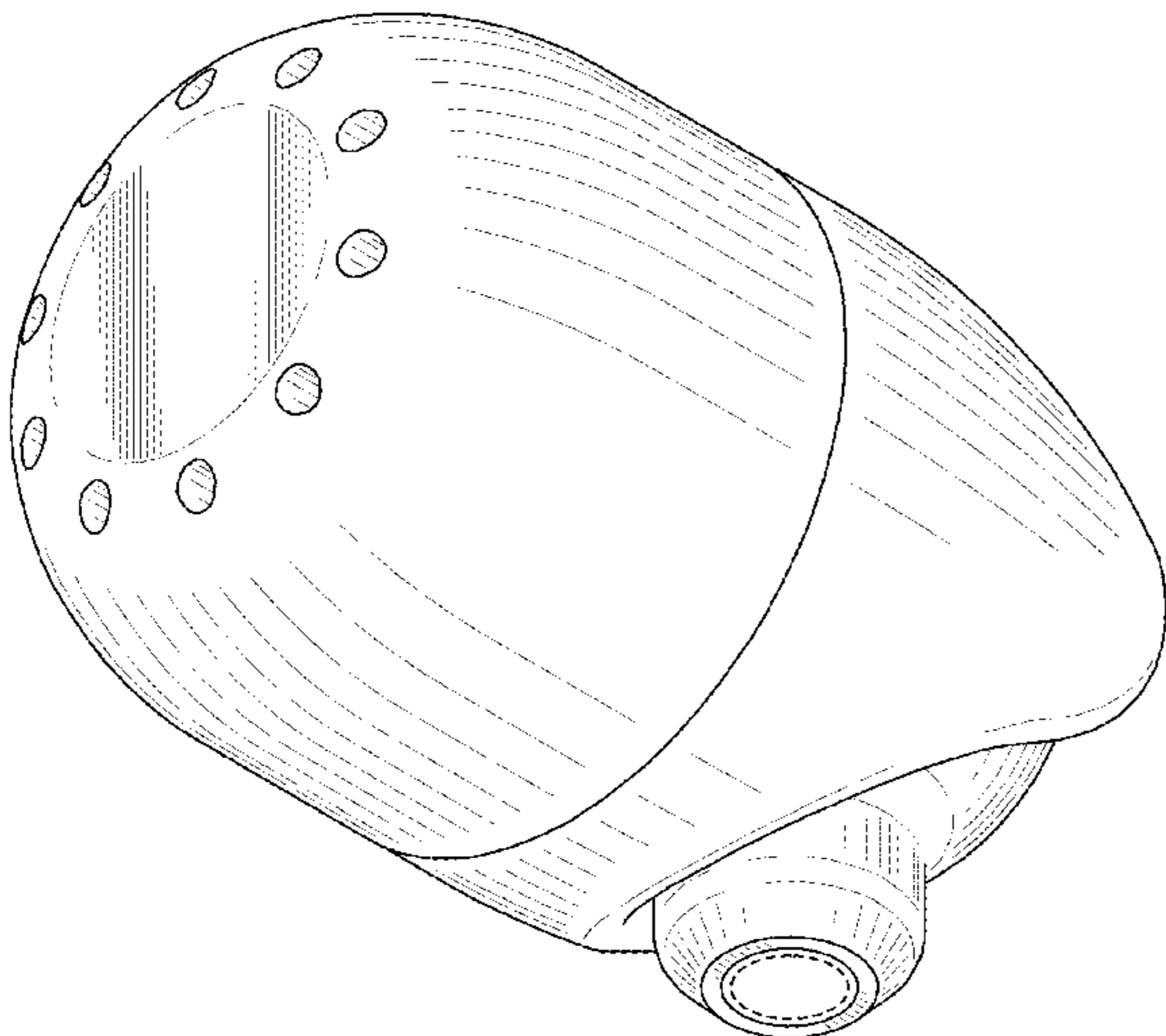
(57) **CLAIM**

The ornamental design for the earbud, as shown and described.

**DESCRIPTION**

FIG. 1 shows a bottom and side perspective view of the earbuds.  
 FIG. 2 shows a top and reverse side perspective view thereof.  
 FIG. 3 shows a side elevation view, the reverse side being a mirror image thereof.  
 FIG. 4 shows a top plan view thereof.  
 FIG. 5 shows a bottom plan view thereof.  
 FIG. 6 shows a front elevation view thereof; and,  
 FIG. 7 shows a rear elevation view thereof.  
 The broken lines depict environment that forms no part of the claimed design.

**1 Claim, 7 Drawing Sheets**



(56)

References Cited

U.S. PATENT DOCUMENTS

6,574,345 B1 *	6/2003	Huang	H04R 1/1016	7,920,902 B2 *	4/2011	Carroll	H04M 1/6066
			379/430				381/74
D487,077 S *	2/2004	Obata	D14/223	8,144,915 B2 *	3/2012	Hankey	H01H 9/0228
D511,157 S *	11/2005	Johnson	D14/223				381/370
D514,552 S *	2/2006	Lee	D14/205	D660,290 S *	5/2012	Weedon	D14/223
D546,321 S *	7/2007	Kim	D14/223	D664,523 S *	7/2012	Naitou	D14/223
D554,627 S *	11/2007	Gondo	D14/223	D664,951 S *	8/2012	Ang	D14/223
D555,152 S *	11/2007	Wang	D14/223	8,290,193 B2 *	10/2012	Pang	H04R 1/1033
D564,495 S *	3/2008	Sasaki	D14/205				381/370
7,340,221 B2 *	3/2008	Wikel	H04B 1/385	D671,531 S *	11/2012	Kim	D14/223
			455/41.2	D674,377 S *	1/2013	Schaefer	D14/223
D566,691 S *	4/2008	Andre	D14/223	D676,427 S *	2/2013	Yang	D14/223
D567,217 S *	4/2008	Kamo	D14/205	D680,102 S *	4/2013	Chen	D14/223
D569,841 S *	5/2008	Chung	D14/205	D681,001 S *	4/2013	Murchison	D14/205
D572,703 S *	7/2008	Ledbetter	D14/205	D685,764 S *	7/2013	Coulter	D14/205
D573,535 S *	7/2008	Victor	D13/133	D698,761 S *	2/2014	Bao	D14/223
D576,154 S *	9/2008	Ledbetter	D14/223	D702,668 S *	4/2014	Narita	H04R 1/10
D578,507 S *	10/2008	Ando	D14/205				D14/223
D579,005 S *	10/2008	Wilhelmsen	D14/223	D703,192 S *	4/2014	Yang	H04R 1/1016
D587,681 S *	3/2009	Yanai	D14/205				D14/223
D588,101 S *	3/2009	Bradford	D14/205	D710,334 S *	8/2014	Yang	D14/223
D589,028 S *	3/2009	Haapapuro	D14/206	D712,371 S *	9/2014	Henning	D14/205
D593,067 S *	5/2009	Millora	D14/205	D718,286 S *	11/2014	Yang	D14/223
D594,441 S *	6/2009	Lee	D14/205	D719,551 S *	12/2014	Yang	D14/223
7,551,748 B2 *	6/2009	Kamo	H04R 1/1016	D722,040 S *	2/2015	Tan	D14/205
			381/328	D726,145 S *	4/2015	Hsieh	D14/205
D595,690 S *	7/2009	Fullerton	D14/205	D729,775 S *	5/2015	Seo	D14/205
D599,778 S *	9/2009	Ando	D14/205	D736,178 S *	8/2015	Tsou	D14/206
D603,837 S *	11/2009	Martin	D14/206	D742,363 S *	11/2015	Andersson	D14/223
D604,717 S *	11/2009	Choe	D14/205	D746,792 S *	1/2016	Kim	D14/205
D605,182 S *	12/2009	Fagnot	D14/223	9,282,392 B2 *	3/2016	Ushakov	H04R 1/1033
D605,628 S *	12/2009	Ando	D14/205	D771,010 S *	11/2016	Louis	D11/3
D607,875 S *	1/2010	Pedersen, II	H04R 1/1033	2008/0044003 A1 *	2/2008	Yang	H04R 1/1016
			D14/206				379/430
D611,934 S *	3/2010	Schaefer	D14/223	2013/0170692 A1 *	7/2013	Kaneko	H04R 1/1033
D614,168 S *	4/2010	Rogers	D14/206				381/380
D623,171 S *	9/2010	Chen	D14/223	2014/0140561 A1 *	5/2014	Lee	H04R 1/1016
D627,764 S *	11/2010	Tsai	D14/223				381/370
D627,766 S *	11/2010	Arimoto	D14/223	2015/0382099 A1 *	12/2015	Chu	H04R 1/2811
D629,395 S *	12/2010	Lee	D14/223				381/370
				2016/0205458 A1 *	7/2016	Huang	H04R 1/1016
							381/380
				2016/0373849 A1 *	12/2016	Stoch	A44C 15/005

\* cited by examiner

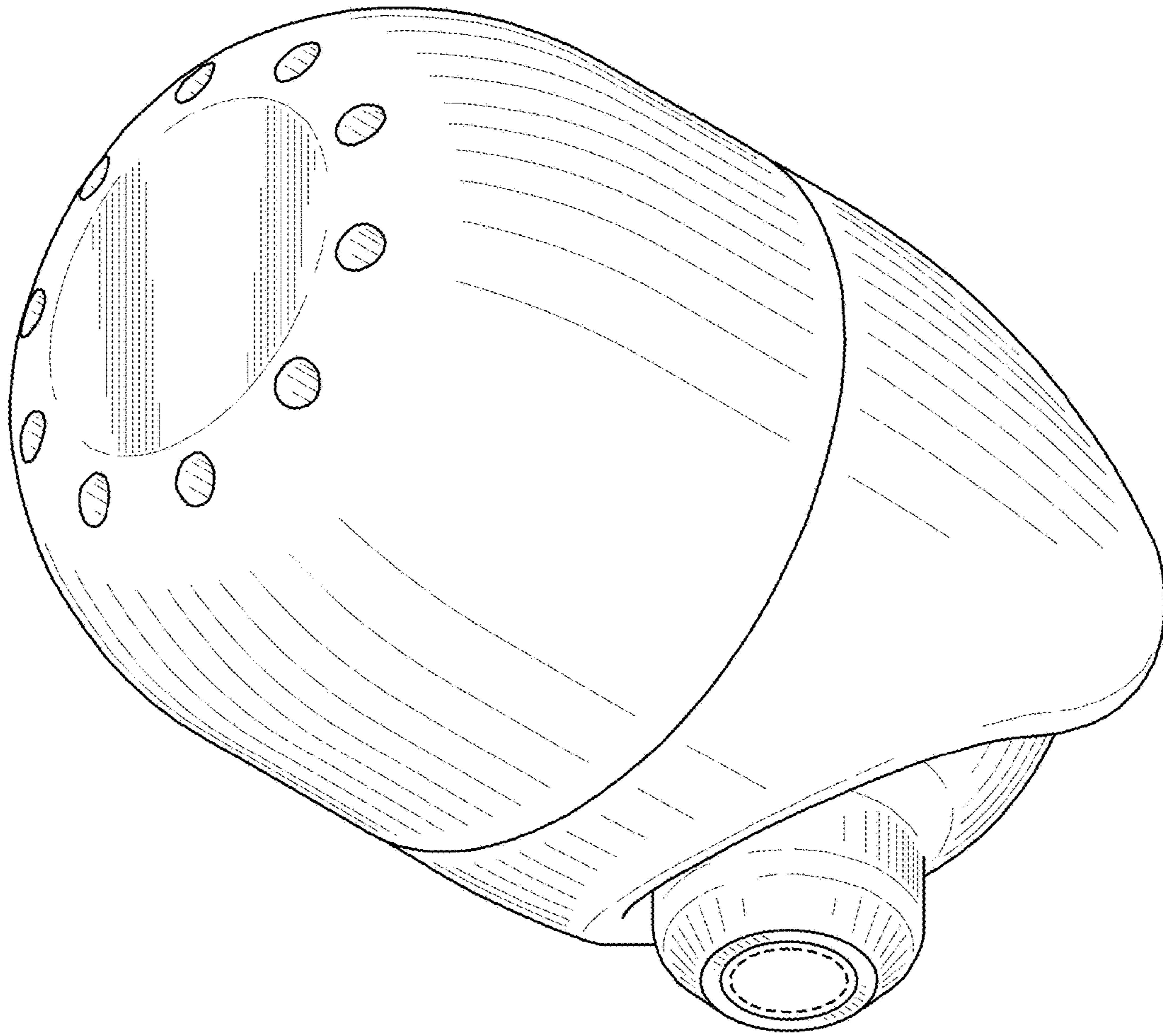


FIG. 1

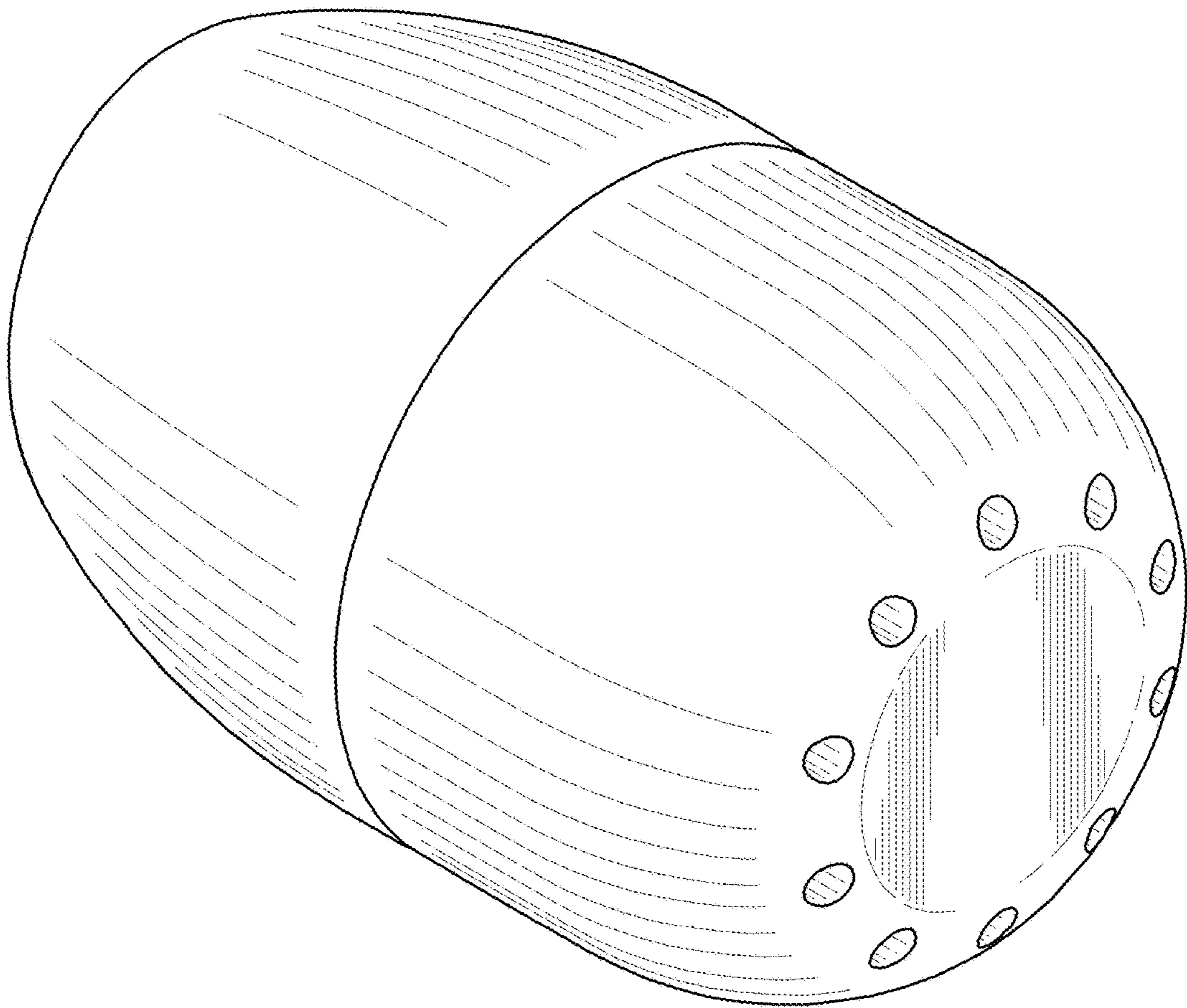


FIG. 2

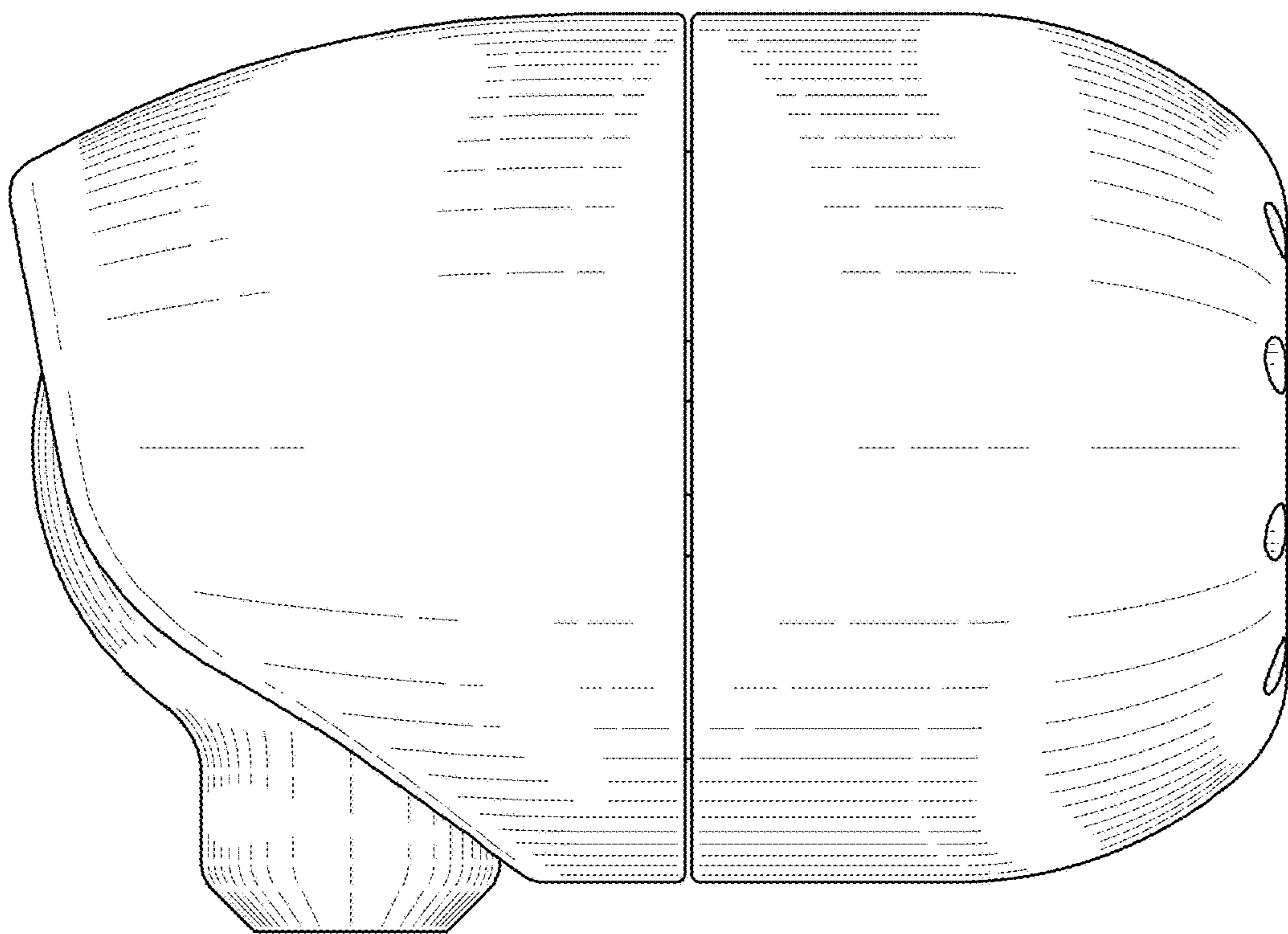


FIG. 3

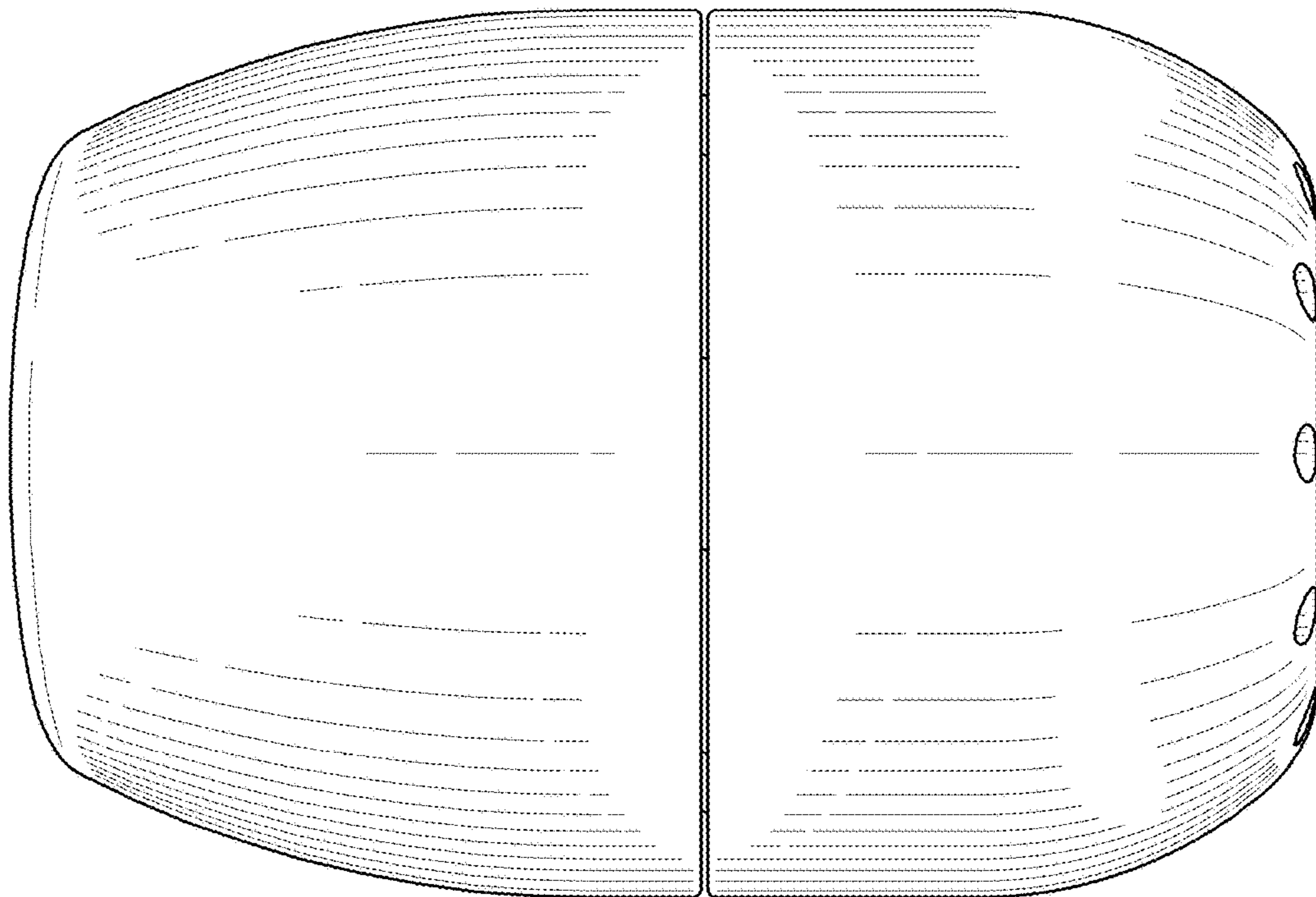


FIG. 4

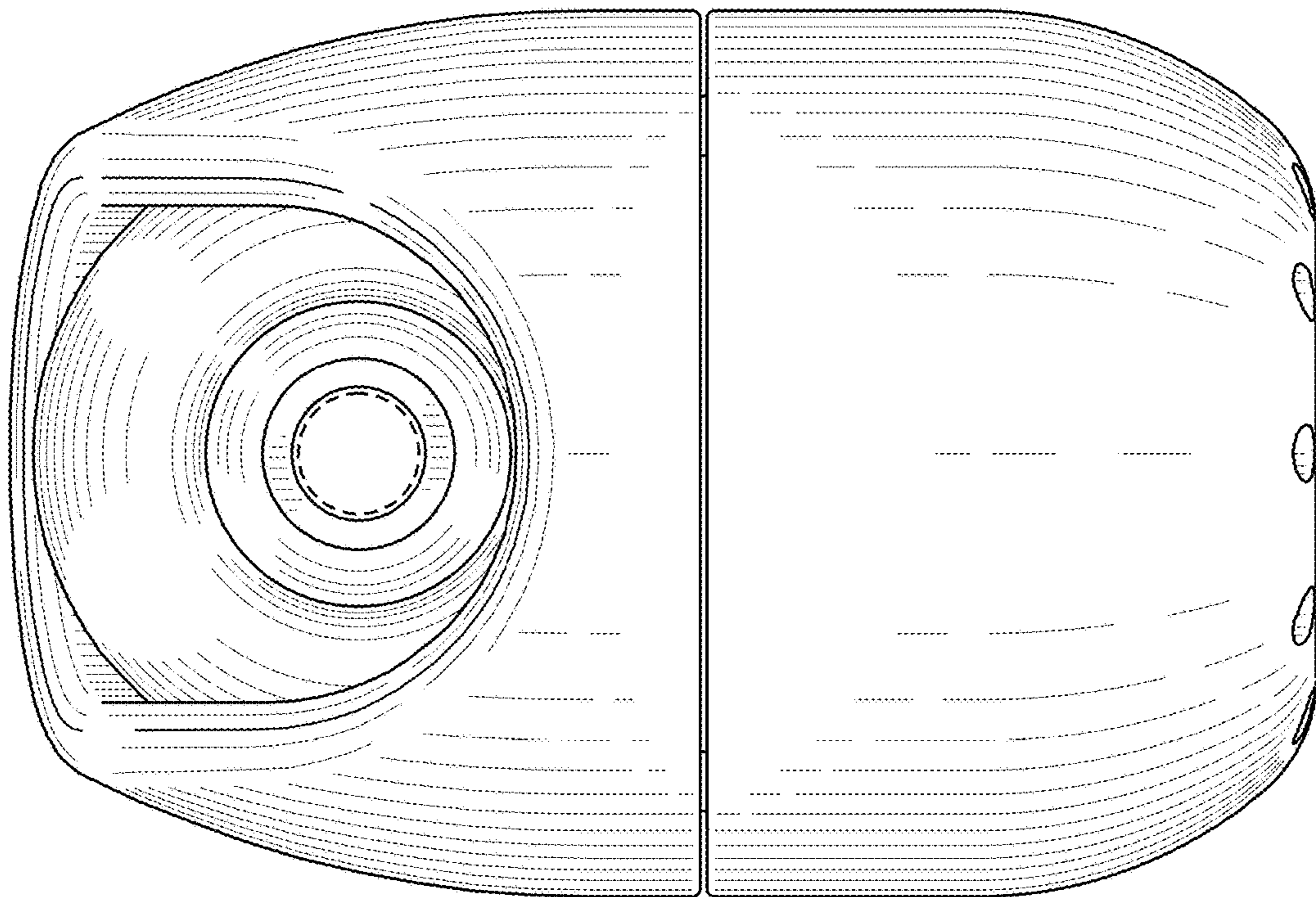


FIG. 5

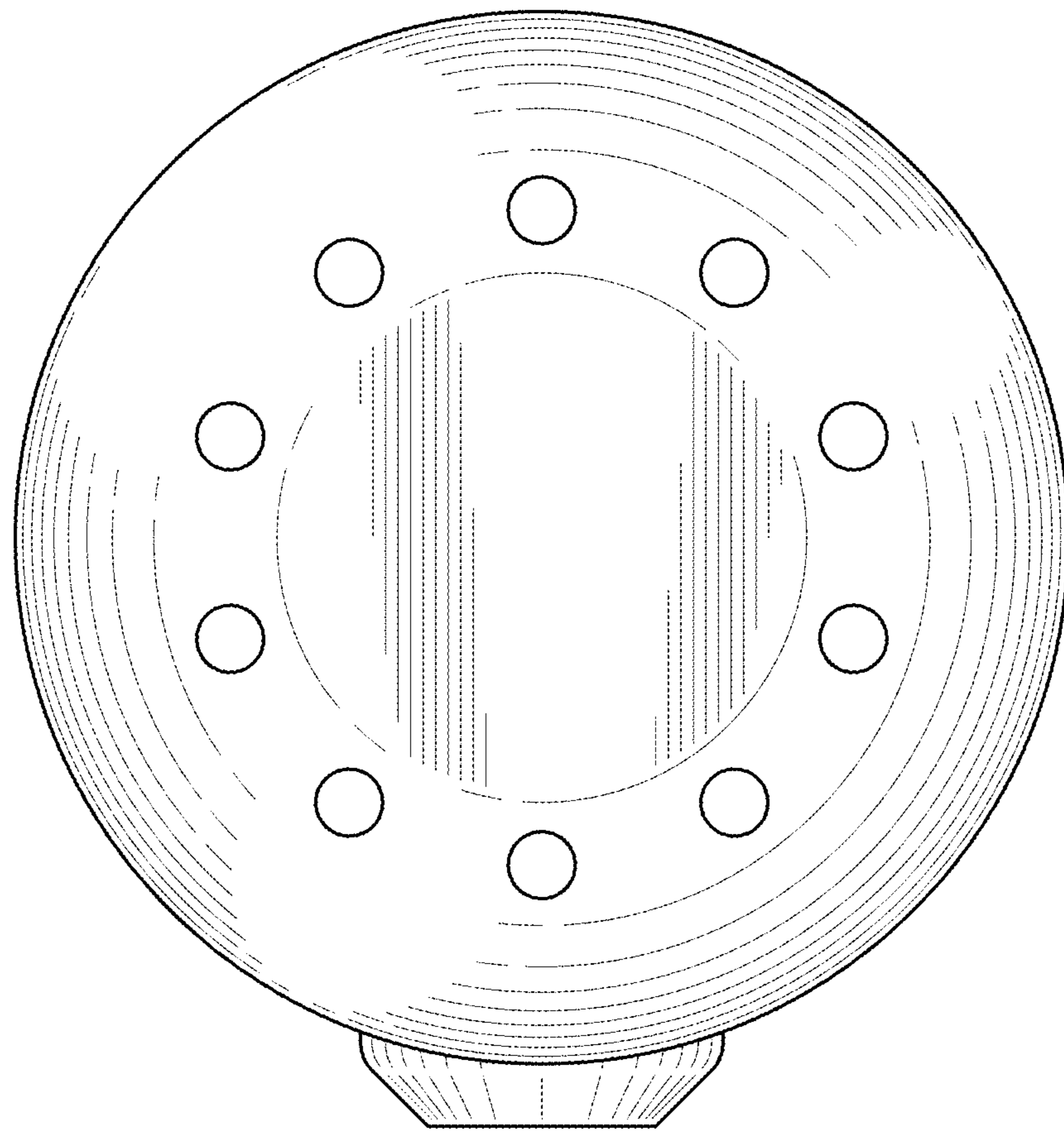


FIG. 6



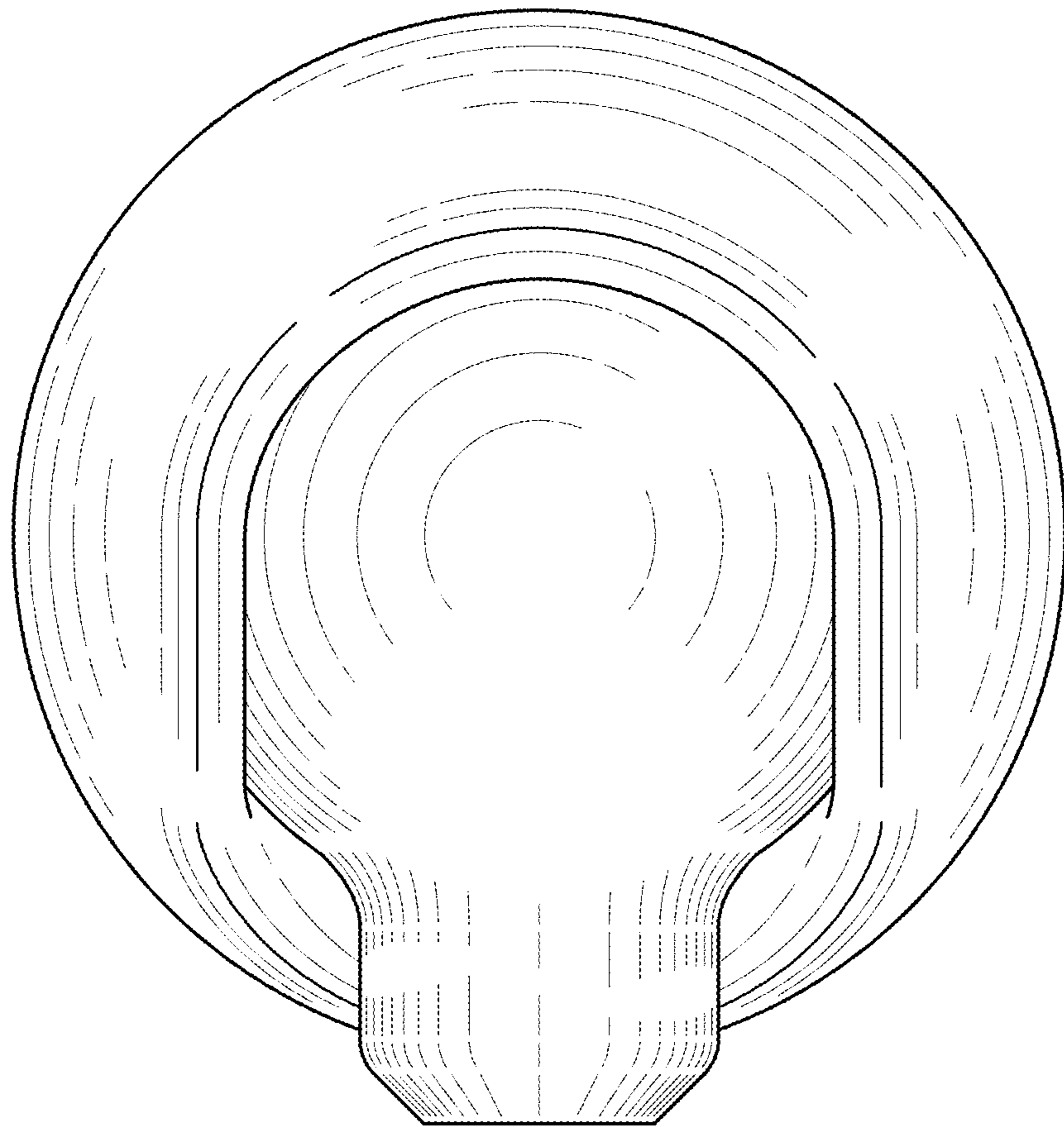


FIG. 7