



US00D786215S

(12) **United States Design Patent**
Bousquet

(10) **Patent No.:** **US D786,215 S**

(45) **Date of Patent:** **** May 9, 2017**

(54) **INTERCOM**

(71) Applicant: **MELJAC**, Paris (FR)

(72) Inventor: **Andre Bousquet**, Paris (FR)

(73) Assignee: **MELJAC**, Paris (FR)

(**) Term: **14 Years**

(21) Appl. No.: **29/511,665**

(22) Filed: **Dec. 12, 2014**

(30) **Foreign Application Priority Data**

Jun. 13, 2014 (EM) 002482125-0001

(51) **LOC (10) Cl.** **14-03**

(52) **U.S. Cl.**
USPC **D14/159**

(58) **Field of Classification Search**

USPC D14/315-327, 384, 432, 439-446, 341,
D14/345, 353-355, 125, 130, 132, 138,
D14/159; D16/202, 208; D9/424-432;
D6/491; D8/403; 235/145 A, 145 R;
341/22, 23; 349/12; 361/680-686;
D20/10, 41, 43

CPC G08B 13/1672; G08B 13/19645; G08B
25/006; H04M 11/04

See application file for complete search history.

(56) **References Cited**

U.S. PATENT DOCUMENTS

D469,420 S * 1/2003 Parsadayan D14/159
D500,479 S * 1/2005 Senda D14/129

D535,268 S * 1/2007 Holger D14/130
D561,734 S * 2/2008 Yamada D14/159
D575,764 S * 8/2008 Nakashima D14/159
D620,917 S * 8/2010 Hattori D14/159
D722,301 S * 2/2015 Crippa D14/159
D735,160 S * 7/2015 Hinkel D14/159
D736,738 S * 8/2015 Larson D14/159
D752,011 S * 3/2016 Takahata D14/142
D754,556 S * 4/2016 Bousquet D10/118.2
D761,754 S * 7/2016 Michielan D14/159
D761,755 S * 7/2016 Michielan D14/159

* cited by examiner

Primary Examiner — Austin Murphy

(74) *Attorney, Agent, or Firm* — Young & Thompson

(57) **CLAIM**

The ornamental design for an intercom, as shown and described.

DESCRIPTION

FIG. 1 is a front, left side and top perspective view of an intercom showing the new design;

FIG. 2 is a front elevation view thereof;

FIG. 3 is a rear elevation view thereof;

FIG. 4 is a left side elevation view thereof;

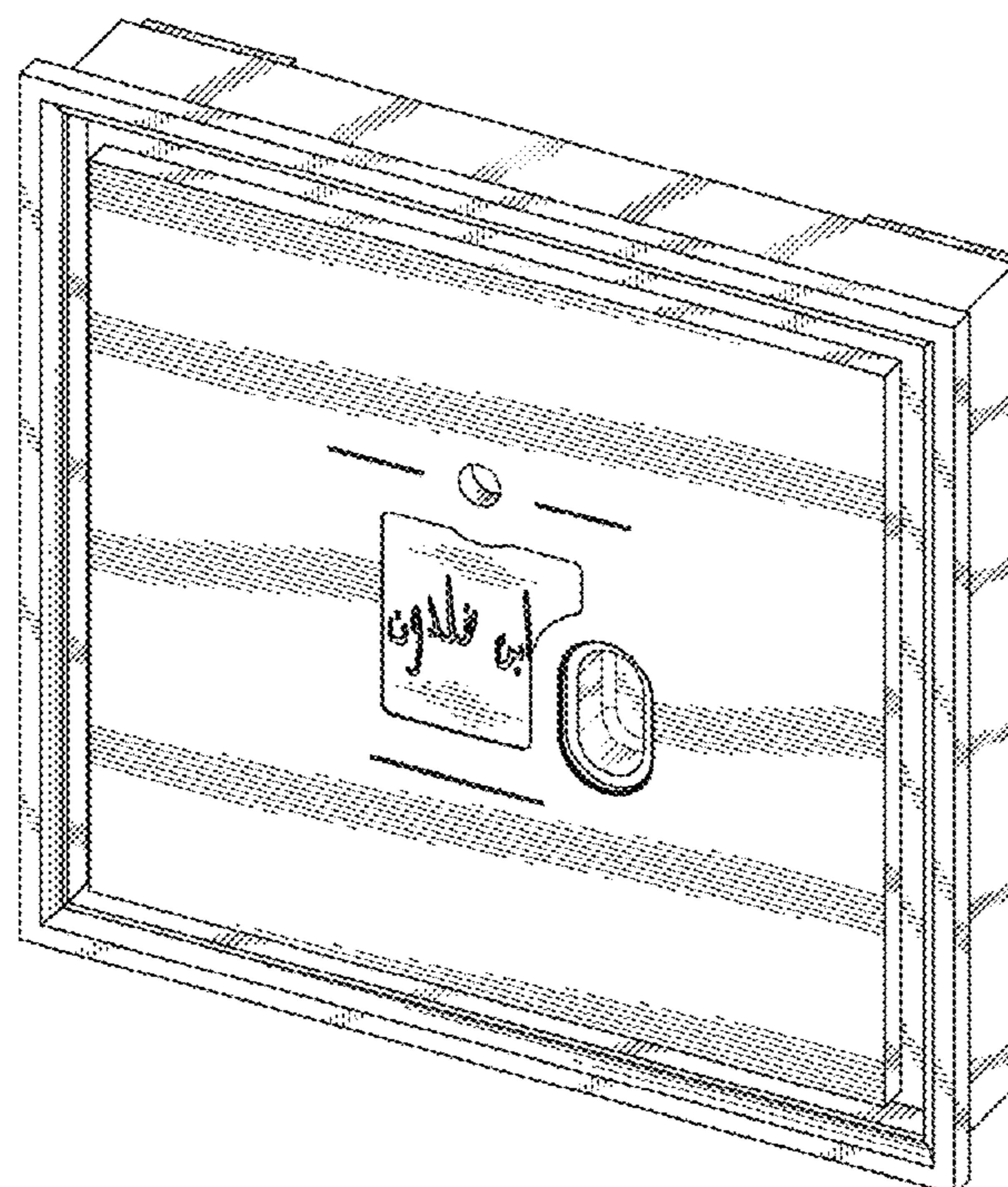
FIG. 5 is a right side elevation view thereof;

FIG. 6 is a top plan view thereof; and,

FIG. 7 is a bottom plan view thereof.

The portions of the design shown in broken lines form no part of the claim.

1 Claim, 6 Drawing Sheets



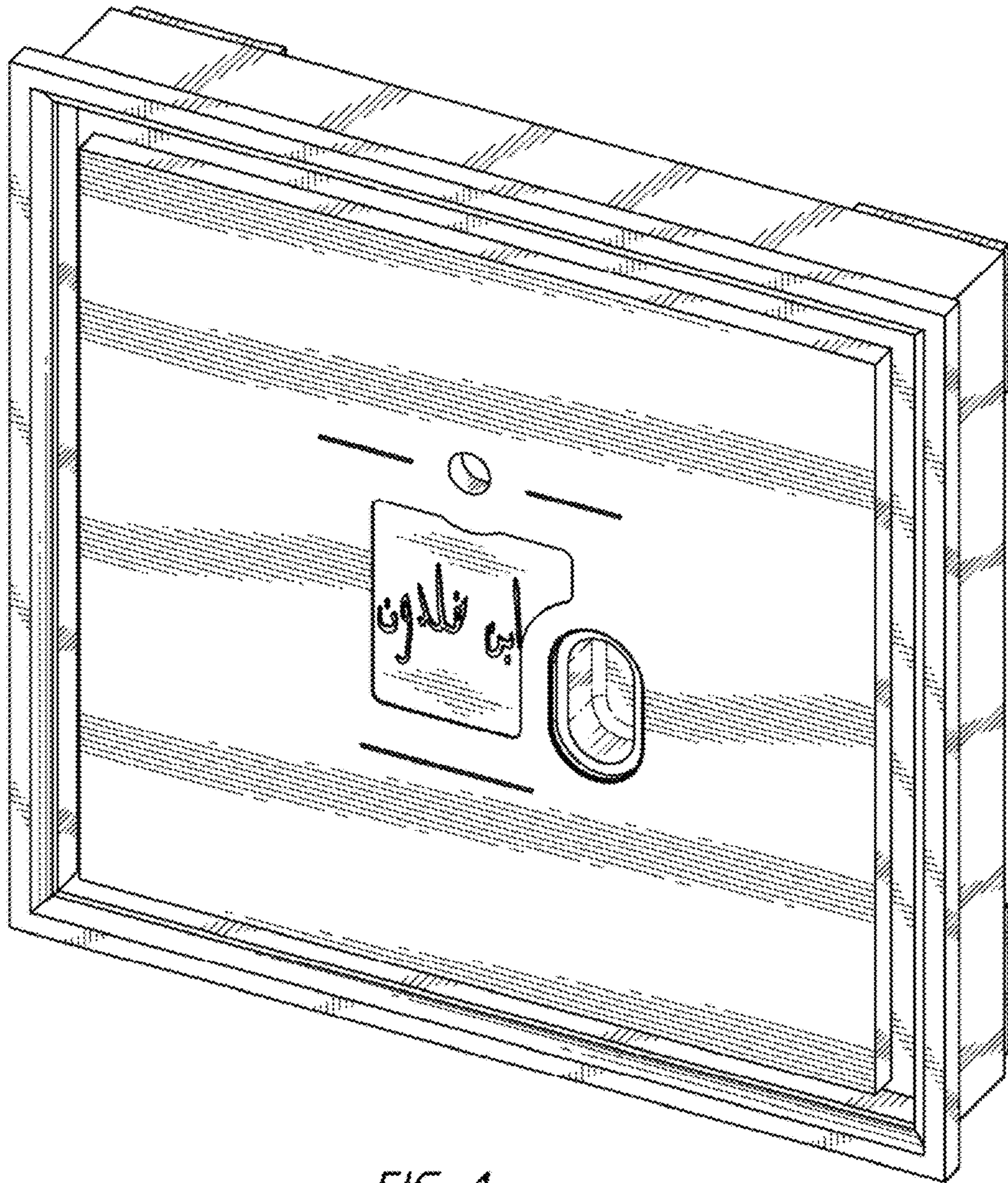


FIG. 1

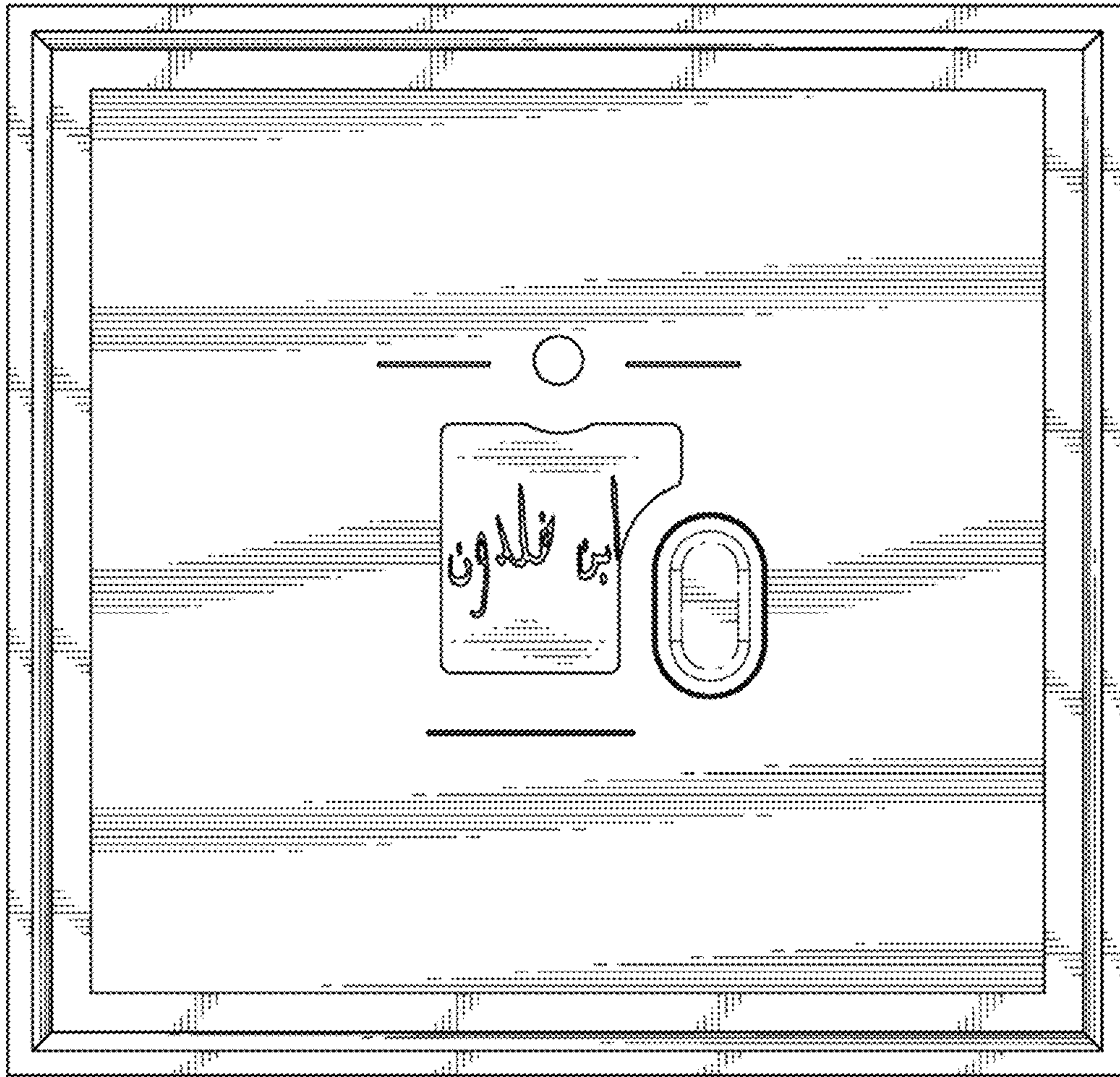


FIG. 2

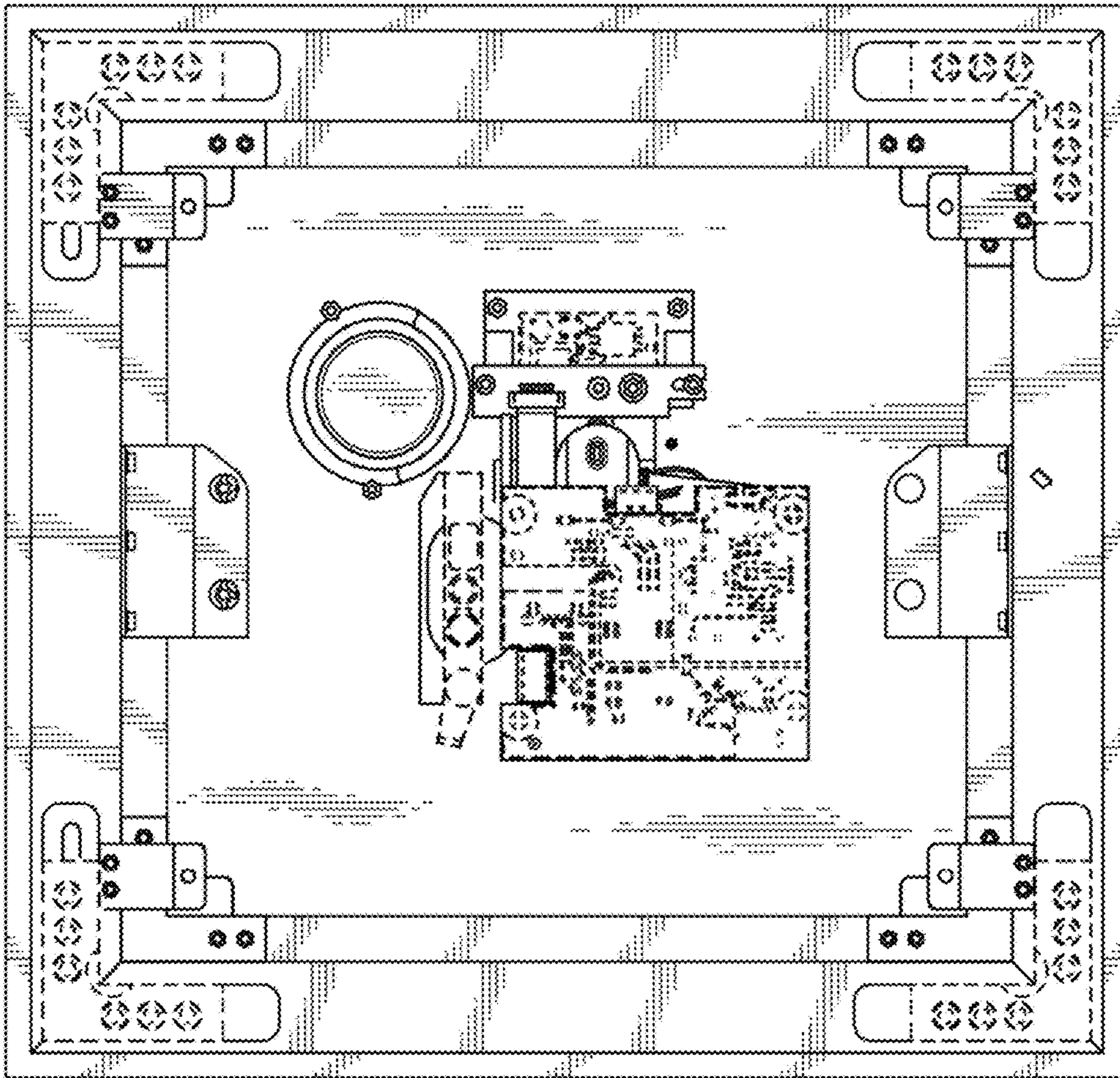


FIG. 3

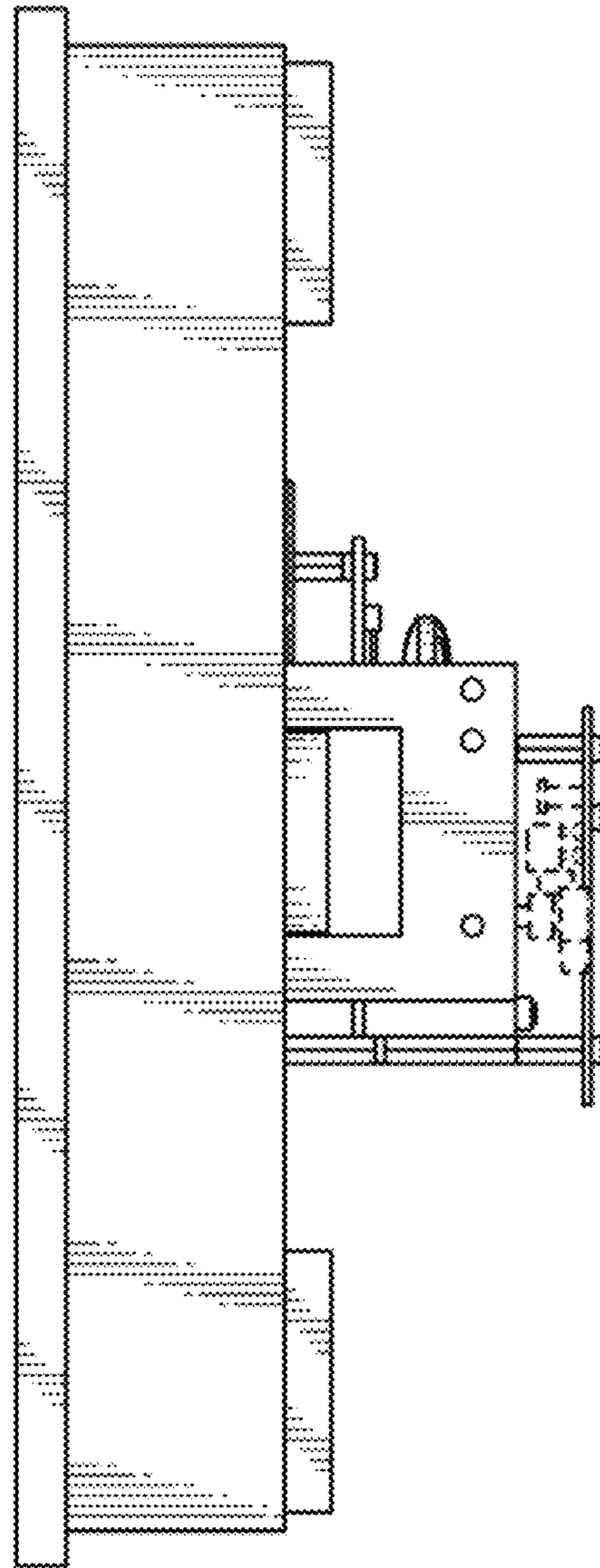


FIG. 4

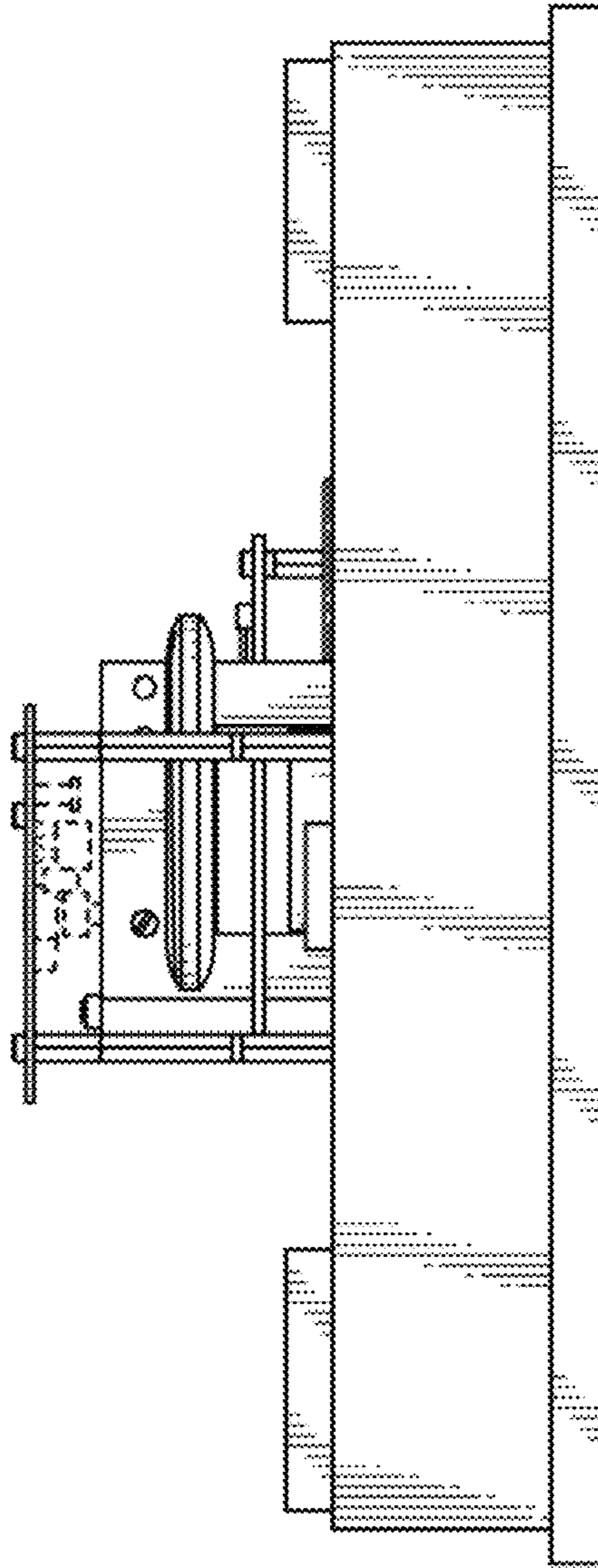


FIG. 5

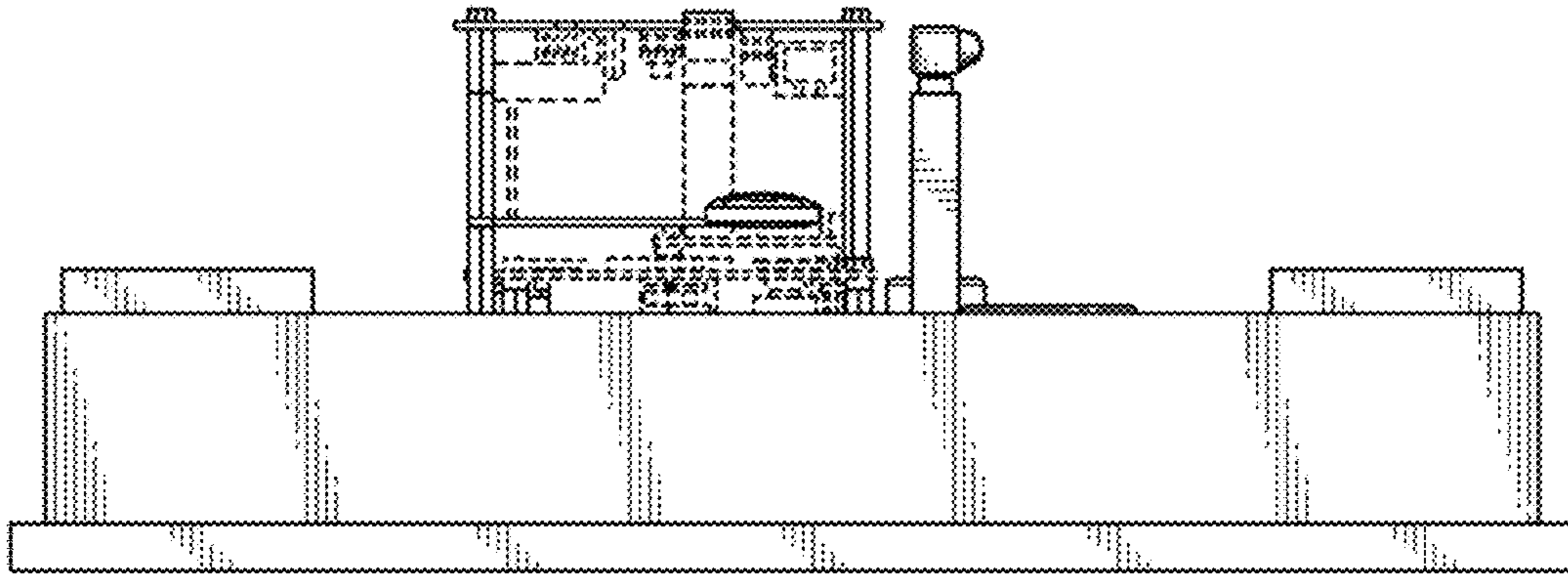


FIG. 6

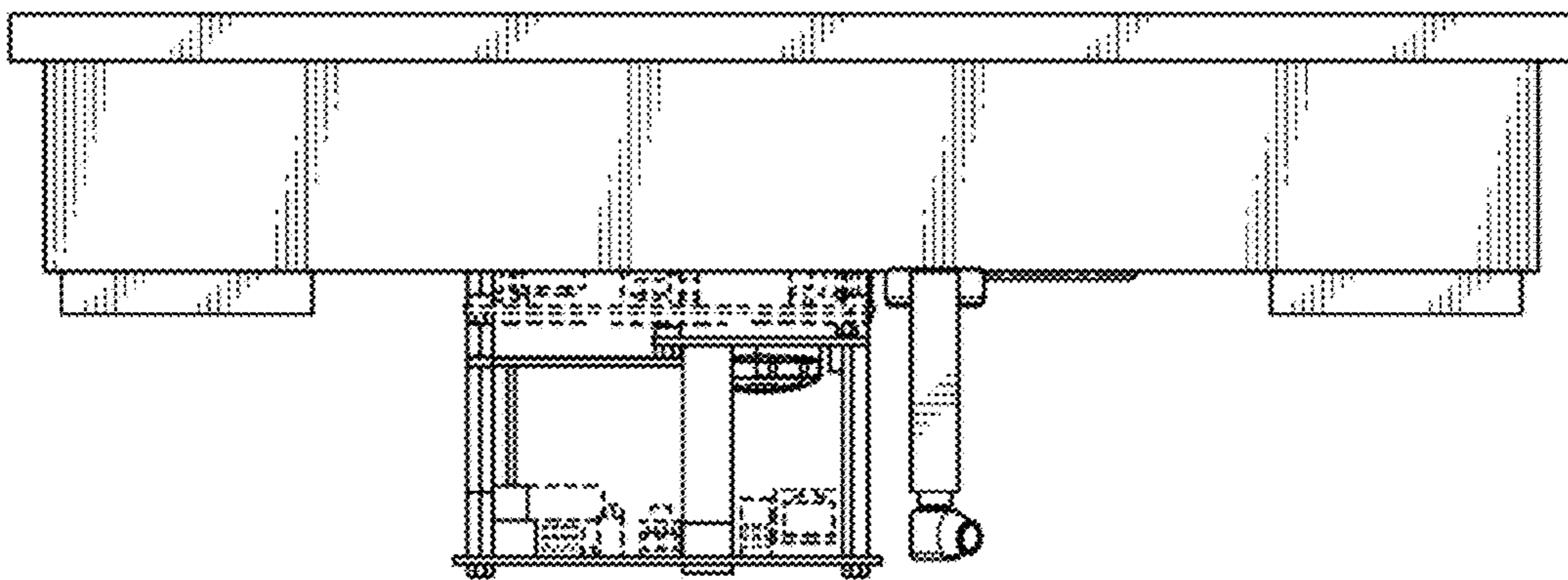


FIG. 7