



US00D786210S

(12) **United States Design Patent** (10) **Patent No.:** **US D786,210 S**  
**Lee** (45) **Date of Patent:** **\*\* \*May 9, 2017**

(54) **CELLULAR PHONE**

(71) Applicant: **LG Electronics Inc.**, Seoul (KR)

(72) Inventor: **Boyoung Lee**, Seoul (KR)

(73) Assignee: **LG Electronics Inc.**, Seoul (KR)

(\*) Notice: This patent is subject to a terminal disclaimer.

(\*\*) Term: **14 Years**

(21) Appl. No.: **29/506,365**

(22) Filed: **Oct. 15, 2014**

(30) **Foreign Application Priority Data**

May 21, 2014 (KR) ..... 30-2014-0025022

(51) **LOC (10) Cl.** ..... **14-03**

(52) **U.S. Cl.**  
USPC ..... **D14/138 AB; D14/345**

(58) **Field of Classification Search**  
USPC ..... D14/138 AA, 138 AB, 138 AD, 138 G,  
D14/138 R, 341, 345, 203.7, 248, 496;  
D10/65

CPC .... G06F 1/1652; G06F 1/1616; G06F 1/1618;  
H04M 1/0222; H04M 1/0254; H04M  
1/0256

See application file for complete search history.

(56) **References Cited**

**U.S. PATENT DOCUMENTS**

- 7,408,698 B2 \* 8/2008 Kuo ..... G06F 1/1601  
204/450
- D588,126 S \* 3/2009 Chiang ..... D14/345
- D681,000 S \* 4/2013 Koh ..... D14/203.4
- D681,054 S \* 4/2013 Koh ..... D14/496
- D689,054 S \* 9/2013 Snyder ..... D14/440
- D693,323 S \* 11/2013 Kawase ..... D14/138 AB
- D716,253 S \* 10/2014 Lee ..... D14/138 AB
- D716,751 S \* 11/2014 Lee ..... D14/138 AB
- D716,800 S \* 11/2014 Lee ..... D14/345
- D742,873 S \* 11/2015 Ahn ..... D14/341

(Continued)

**OTHER PUBLICATIONS**

Samsung, Flexible OLED Display Phone, as posted at PhoneArena [online], posting date not available [site visited Jul. 28, 2016] Available from the Internet, <URL: [http://www.phonearena.com/news/Samsung-and-LG-both-racing-to-out-a-foldable-phone\\_id74741](http://www.phonearena.com/news/Samsung-and-LG-both-racing-to-out-a-foldable-phone_id74741)>.\*

*Primary Examiner* — Jeffrey D Asch

*Assistant Examiner* — Rebekah A Caruso

(74) *Attorney, Agent, or Firm* — Morgan, Lewis & Bockius LLP

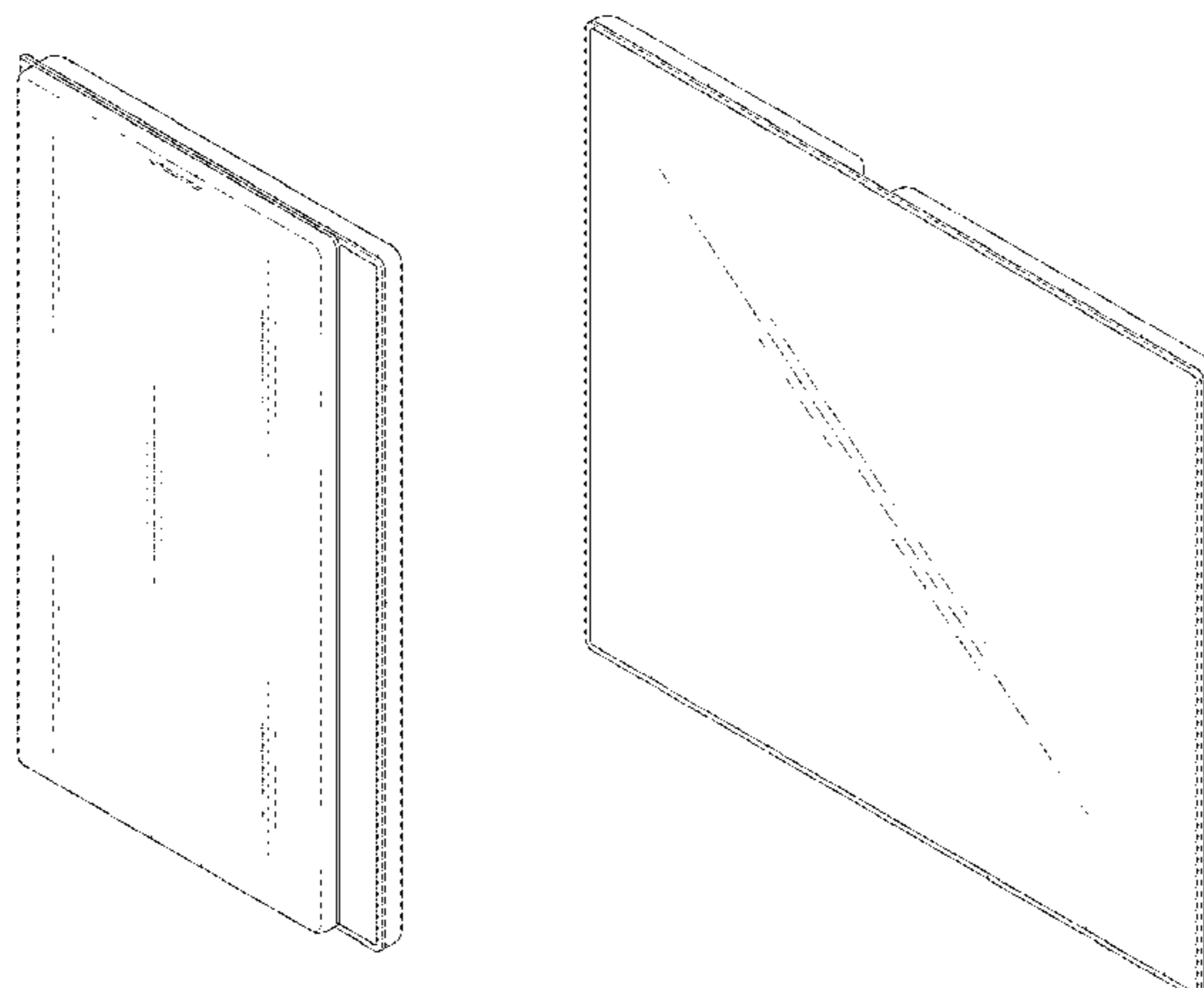
(57) **CLAIM**

The ornamental design for a cellular phone, as shown and described.

**DESCRIPTION**

FIG. 1 is a front, right side, perspective view of a cellular phone showing my new design;  
 FIG. 2 is a front view thereof;  
 FIG. 3 is a rear view thereof;  
 FIG. 4 is a left side view thereof;  
 FIG. 5 is a right side view thereof;  
 FIG. 6 is a top view thereof;  
 FIG. 7 is a bottom view thereof;  
 FIG. 8 is a front, right side, perspective view in an open state thereof;  
 FIG. 9 is a front view in an open state thereof;  
 FIG. 10 is a rear view in an open state thereof;  
 FIG. 11 is a left side view in an open state thereof;  
 FIG. 12 is a right side view in an open state thereof;  
 FIG. 13 is a top view in an open state thereof; and,  
 FIG. 14 is a bottom view in an open state thereof.  
 The broken lines shown in the figures that are immediately adjacent to the shaded areas and define unshaded regions represent the bounds of the claim. The broken lines form no part of the claimed design.

**1 Claim, 10 Drawing Sheets**



(56)

**References Cited**

U.S. PATENT DOCUMENTS

D746,285	S *	12/2015	Okabe .....	D14/345
9,239,594	B2 *	1/2016	Lee .....	G06F 1/1652
D749,573	S *	2/2016	Park .....	D14/203.4
D749,575	S *	2/2016	Park .....	D14/203.4
D749,576	S *	2/2016	Park .....	D14/203.4
D754,657	S *	4/2016	Kim .....	D14/345
D767,525	S *	9/2016	Byun .....	D14/138 AB
D767,526	S *	9/2016	Lee .....	D14/138 AB
D769,209	S *	10/2016	Byun .....	D14/138 AB
D772,225	S *	11/2016	Kim .....	D14/341
D775,598	S *	1/2017	Kim .....	D14/138 AB
D775,601	S *	1/2017	Lee .....	D14/138 AB
D775,602	S *	1/2017	Lee .....	D14/138 AB
D777,131	S *	1/2017	Lee .....	D14/138 AB
D777,132	S *	1/2017	Lee .....	D14/138 AB
D778,866	S *	2/2017	Lee .....	D14/138 AB
2012/0044620	A1 *	2/2012	Song .....	G06F 1/1616 361/679.01
2016/0187931	A1 *	6/2016	Myung .....	G06F 1/1652 361/679.3

\* cited by examiner

FIG. 1

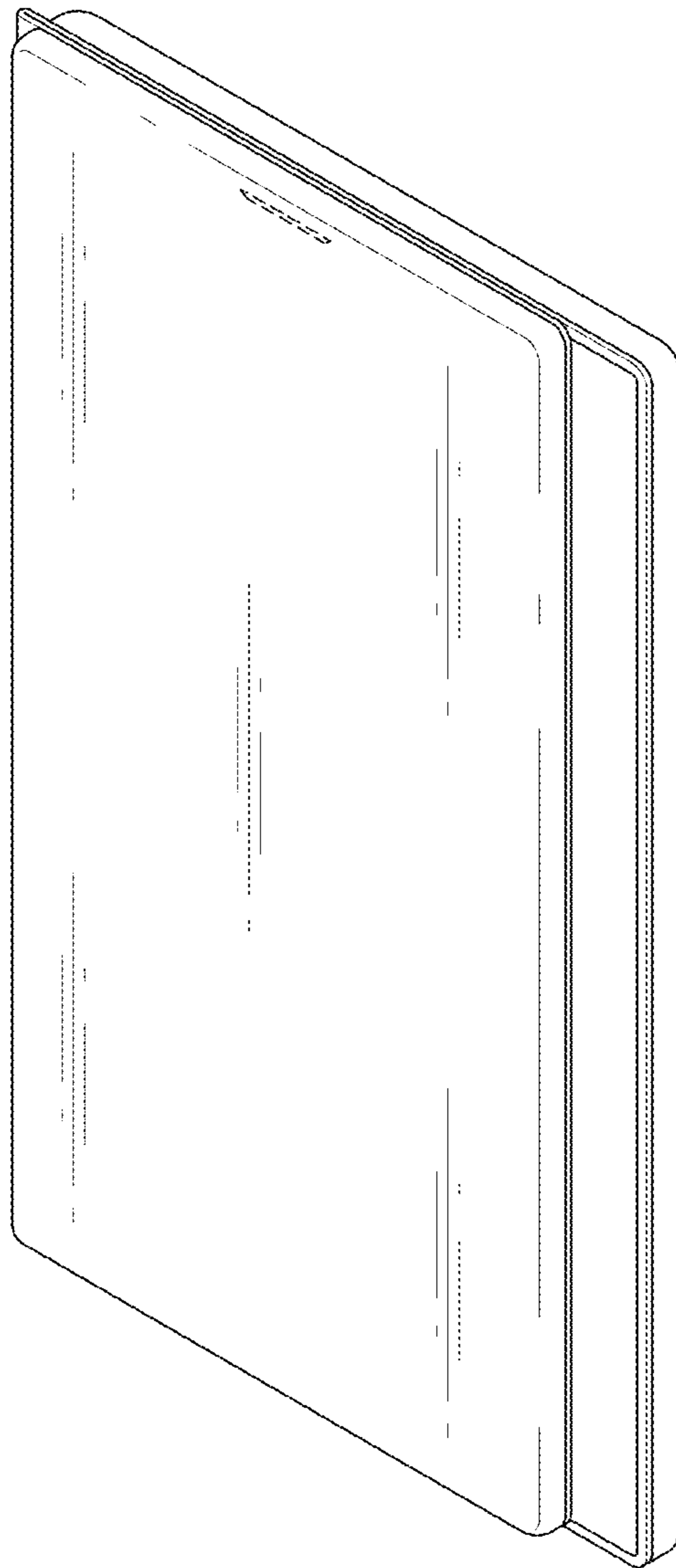


FIG. 2

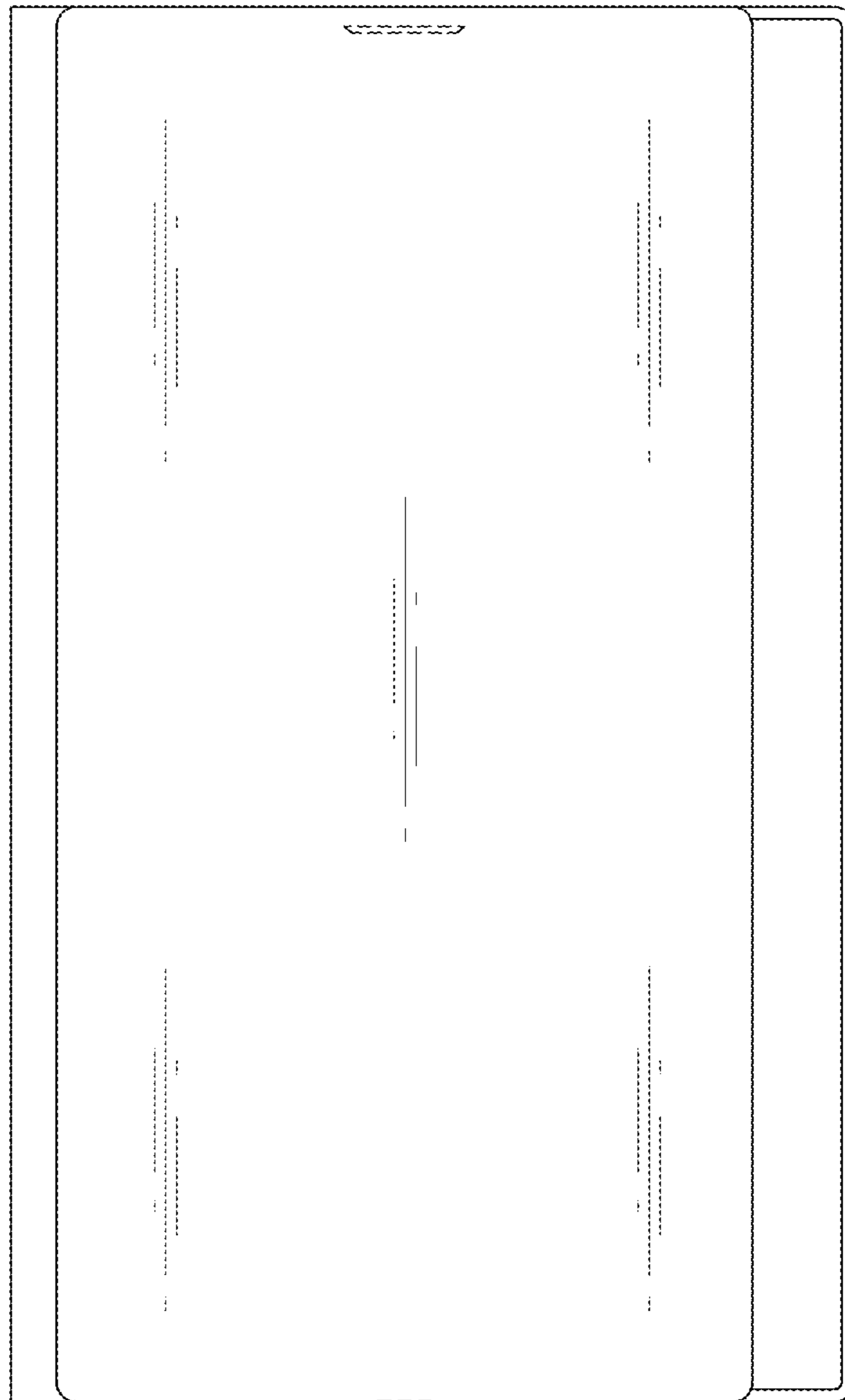


FIG. 3

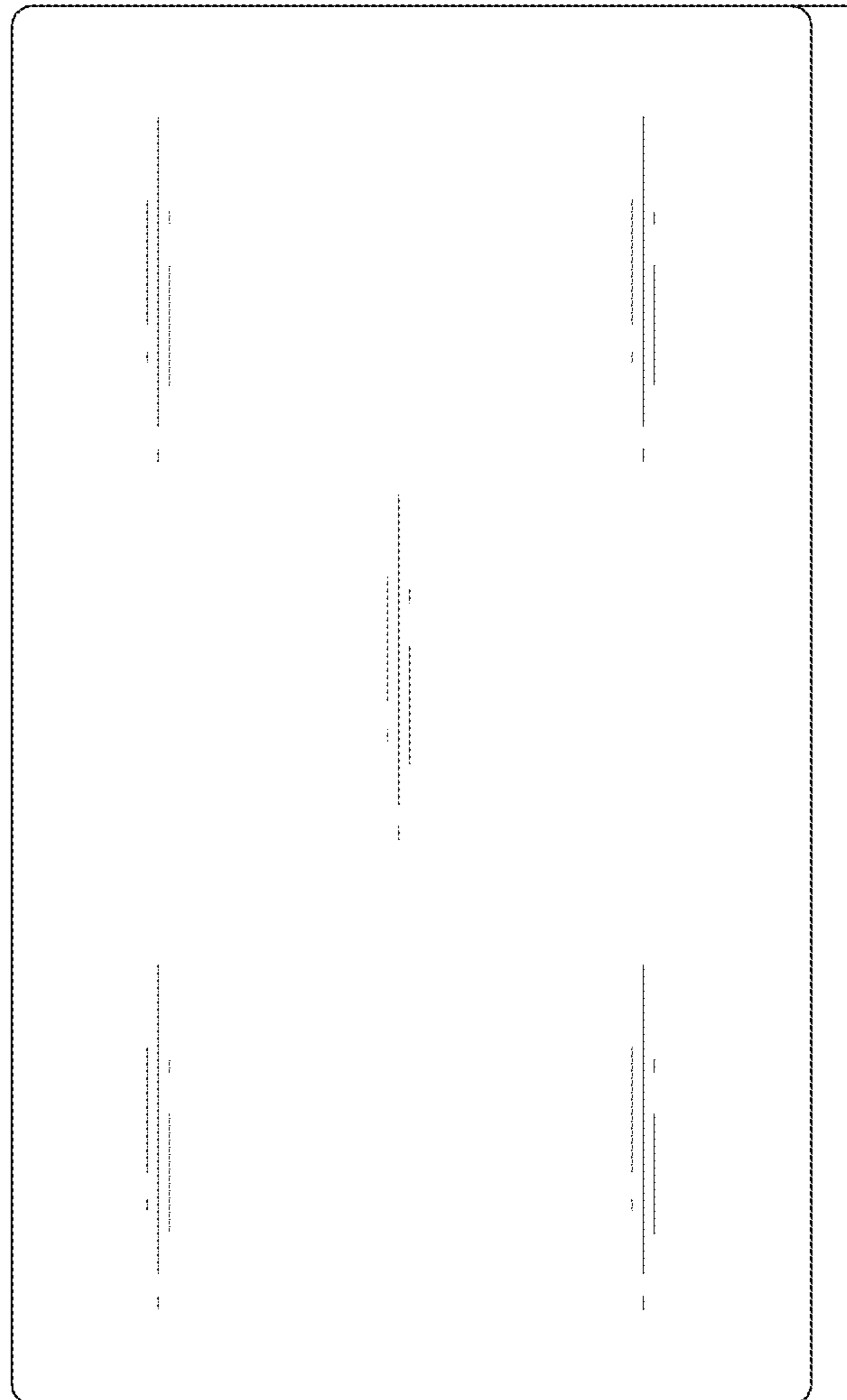


FIG. 4

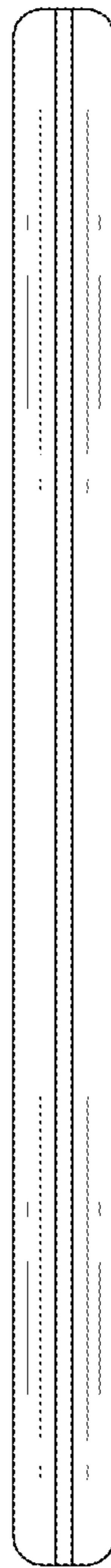


FIG. 5



FIG. 6

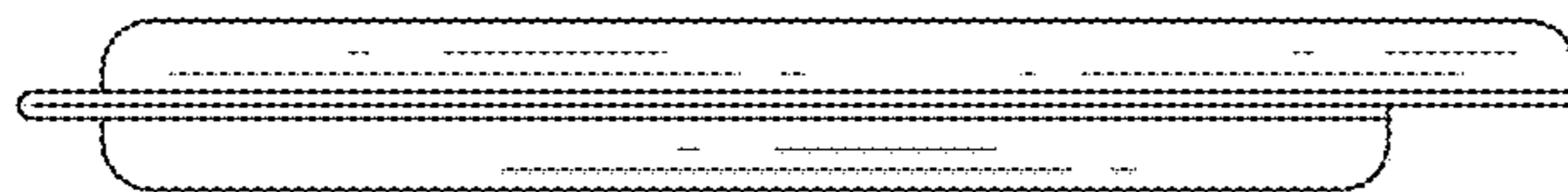


FIG. 7



FIG. 8

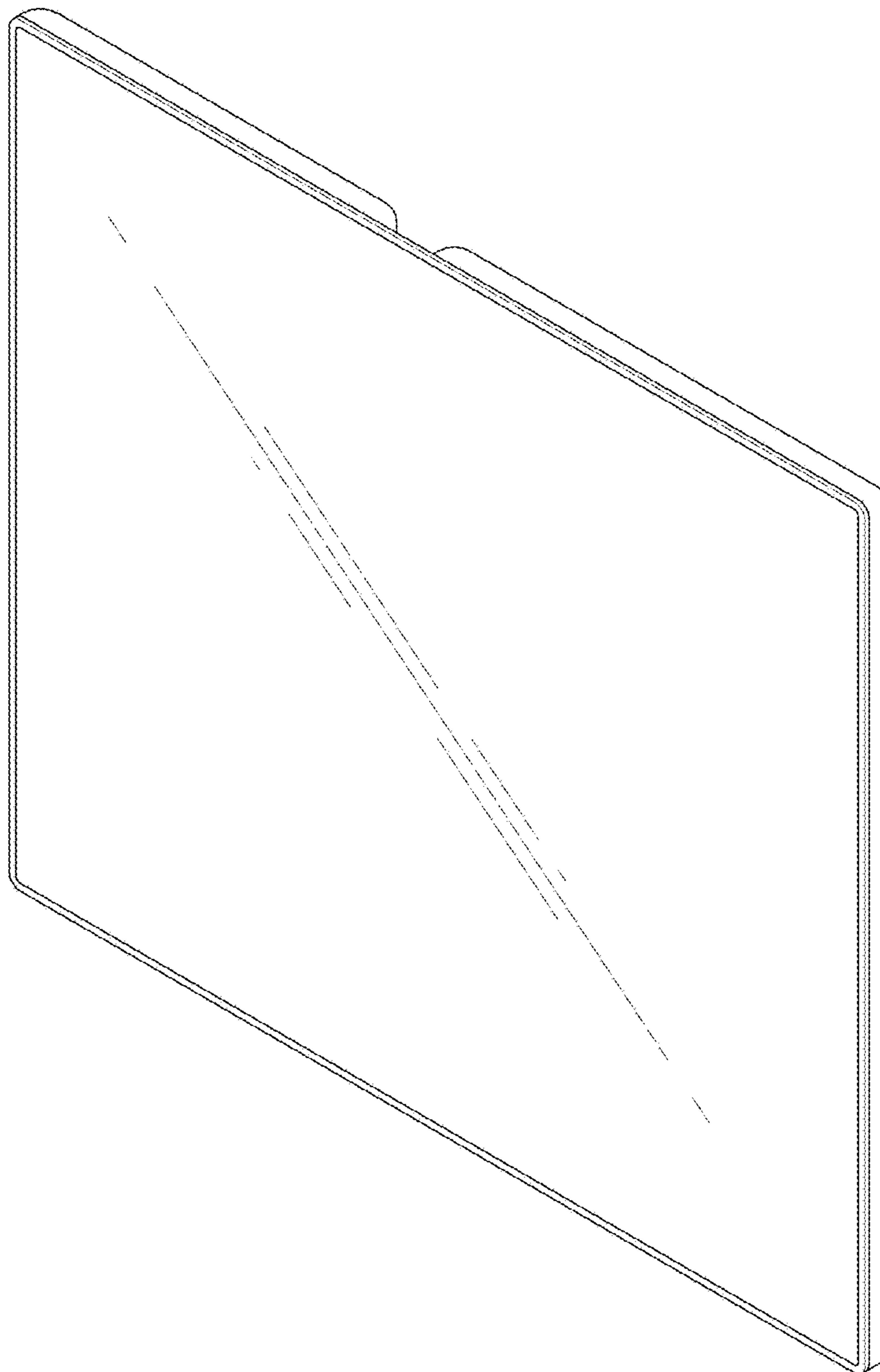




FIG. 9

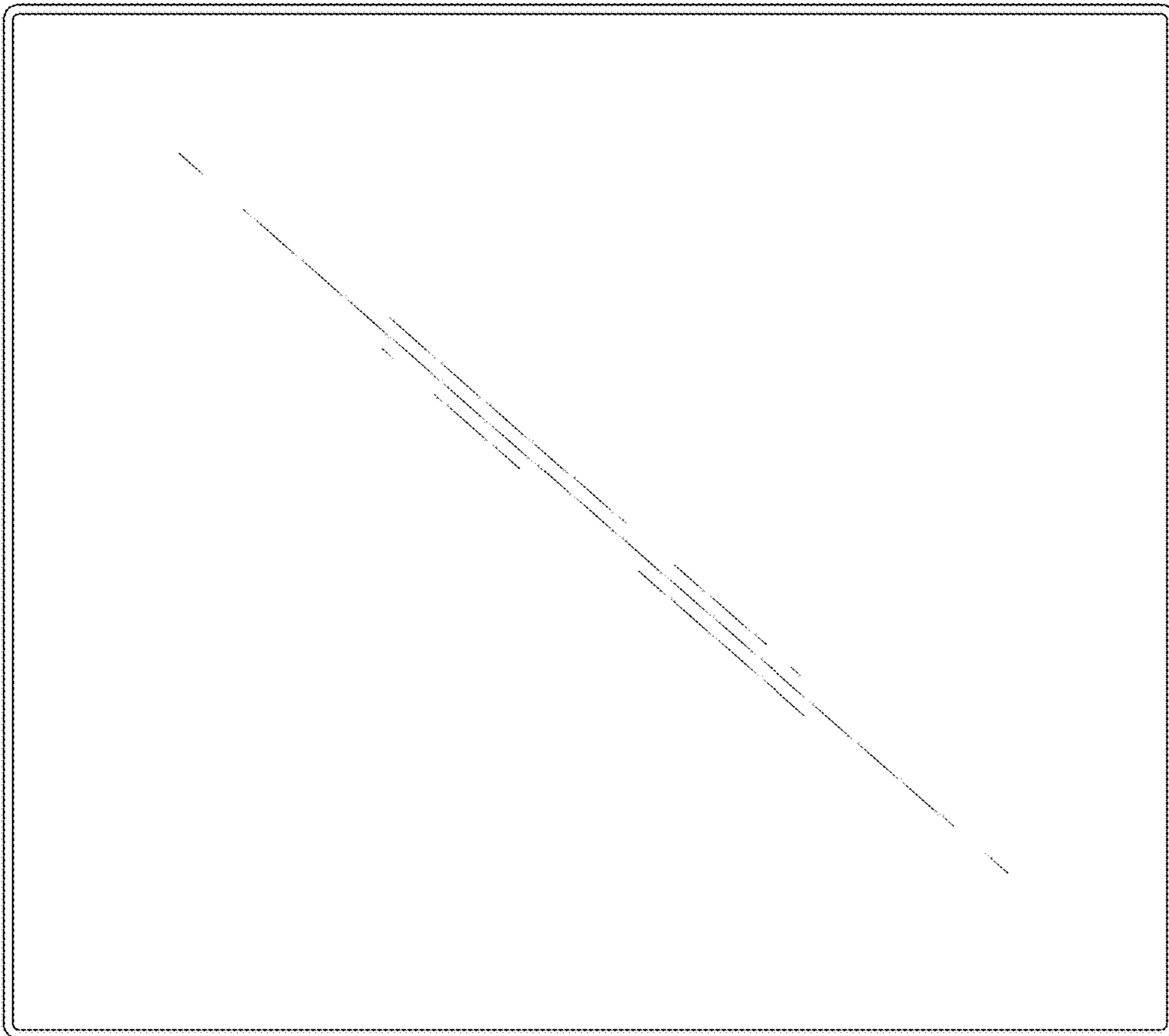


FIG. 10

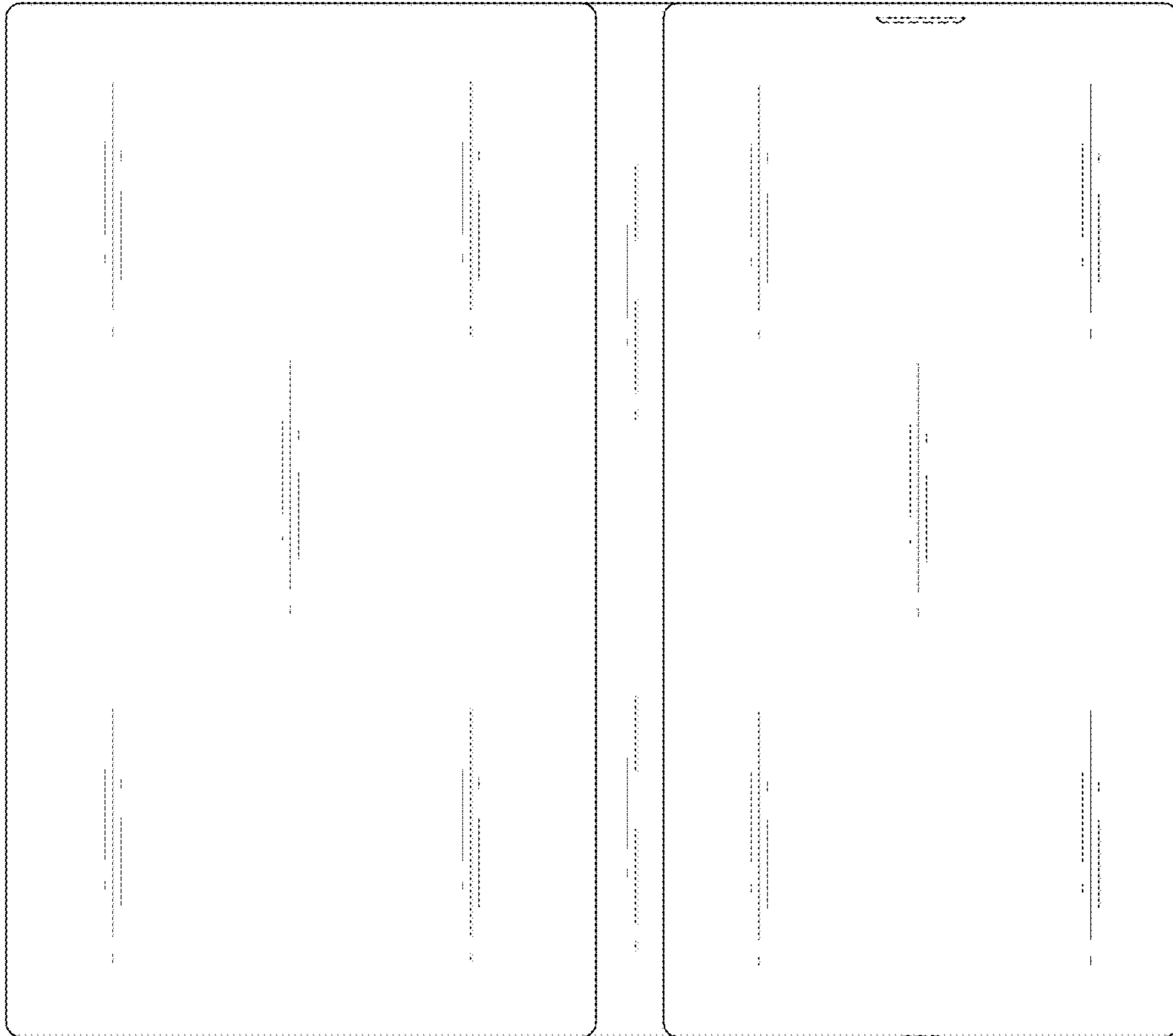


FIG. 11

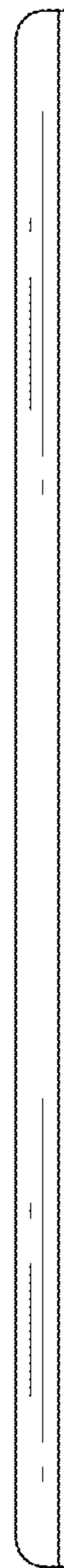


FIG. 12

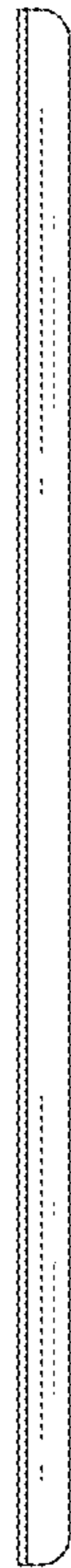


FIG. 13

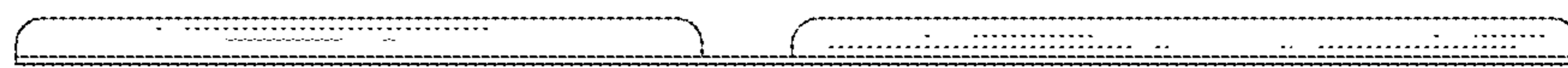


FIG. 14

