



US00D786201S

(12) **United States Design Patent** (10) **Patent No.:** **US D786,201 S**
Bullimore (45) **Date of Patent:** **** May 9, 2017**

(54) **HEAT SINK FOR WOOFER**
(71) Applicant: **Tymphany Hong Kong Limited,**
Wanchai (HK)
(72) Inventor: **George Bullimore,** Wales (GB)
(73) Assignee: **TYMPHANY HK LIMITED,** Wanchai
(HK)
(**) Term: **15 Years**

D427,570 S * 7/2000 Ishii D13/182
D443,262 S * 6/2001 Caren D14/224
D478,556 S * 8/2003 Abdo D13/179
6,601,645 B1 * 8/2003 Abdo H04R 9/022
165/185
D556,704 S * 12/2007 Nakamura D13/182
D585,882 S * 2/2009 Lum D14/224
D615,937 S * 5/2010 Sato D13/182
D703,160 S * 4/2014 Tanimura D13/182
D716,239 S * 10/2014 Lau D13/182
D716,240 S * 10/2014 Lau D13/182
D717,746 S * 11/2014 Lau D13/182
D766,849 S * 9/2016 Fukushima D13/182

(21) Appl. No.: **29/542,874**

* cited by examiner

(22) Filed: **Oct. 19, 2015**

Primary Examiner — Jennifer Rivard

(51) **LOC (10) Cl.** **13-03**

Assistant Examiner — April Rivas

(52) **U.S. Cl.**
USPC **D13/179; D13/182**

(74) *Attorney, Agent, or Firm* — Cantor Colburn LLP

(58) **Field of Classification Search**
USPC D13/179, 122, 182; D14/224
CPC H01L 23/34; H01L 31/1024; H01L 33/64;
H01L 23/367; H01L 23/3672; H01L
23/46; H01L 23/467; H01L 23/473; G06F
1/20; H05K 7/20972; B23P 2700/10;
F28F 2215/00; F28F 2215/08; H04R
9/022; H04R 1/345

(57) **CLAIM**

I claim, the ornamental design for a heat sink for a woofer,
as shown and described.

See application file for complete search history.

DESCRIPTION

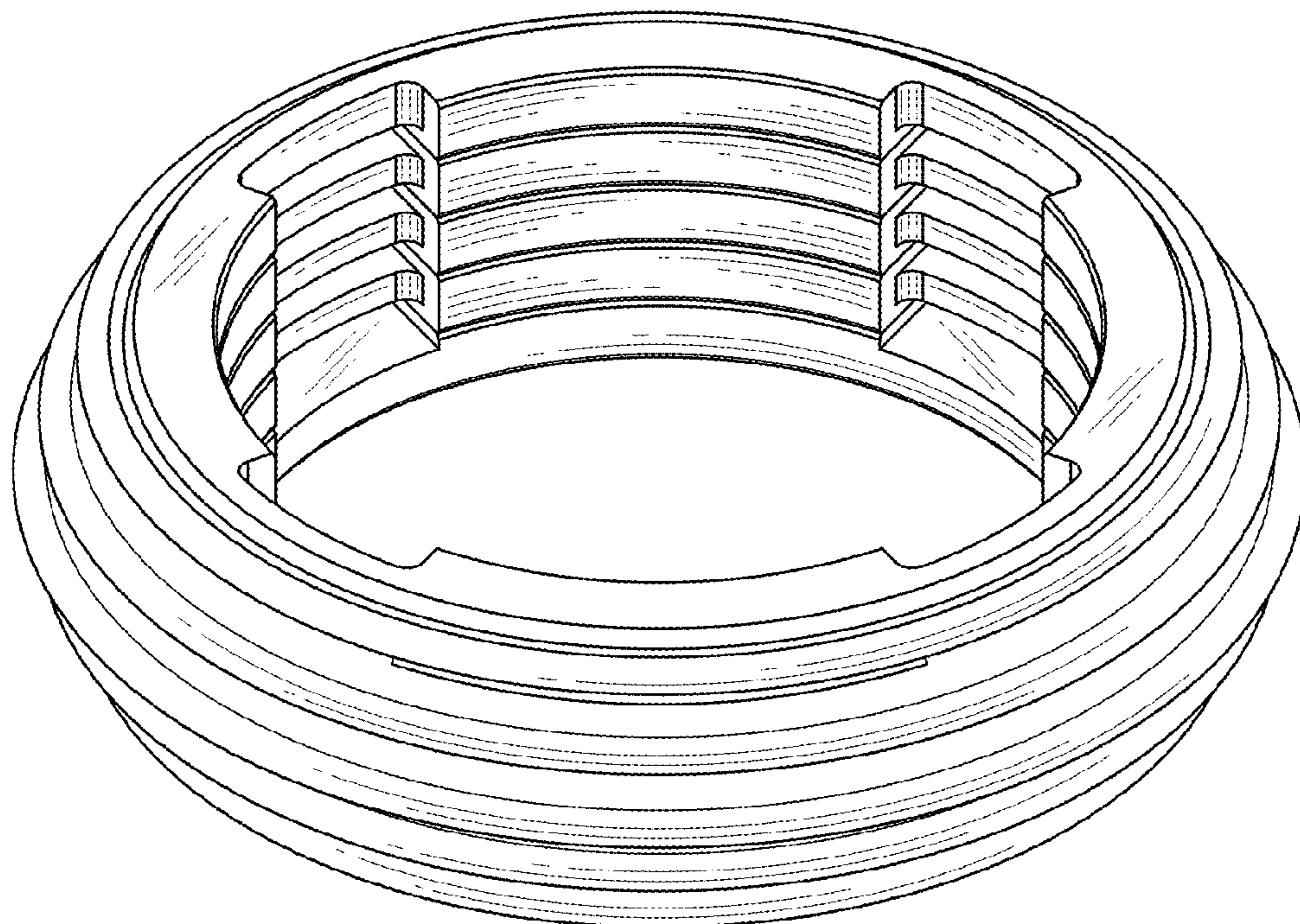
FIG. 1 is a perspective view of a heat sink for a woofer,
showing my new design;
FIG. 2 is a front elevation view thereof;
FIG. 3 is a rear elevation view thereof;
FIG. 4 is a left side elevation view thereof;
FIG. 5 is a right side elevation view thereof;
FIG. 6 is a top plan view thereof; and,
FIG. 7 is a bottom plan view thereof.

(56) **References Cited**

U.S. PATENT DOCUMENTS

3,205,936 A * 9/1965 Katz H01L 25/03
165/182
D410,438 S * 6/1999 Ishii D13/182

1 Claim, 5 Drawing Sheets



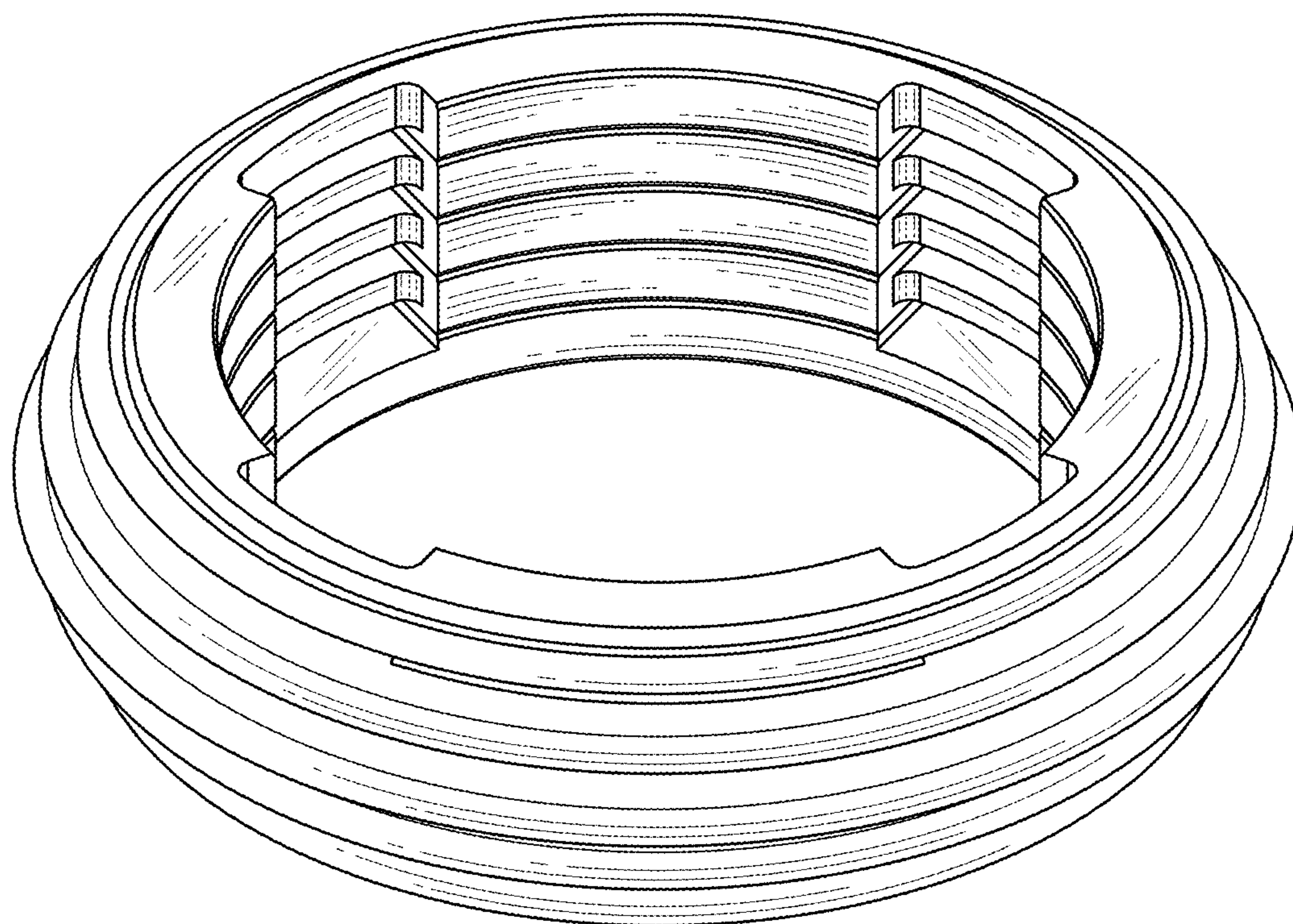


FIG. 1

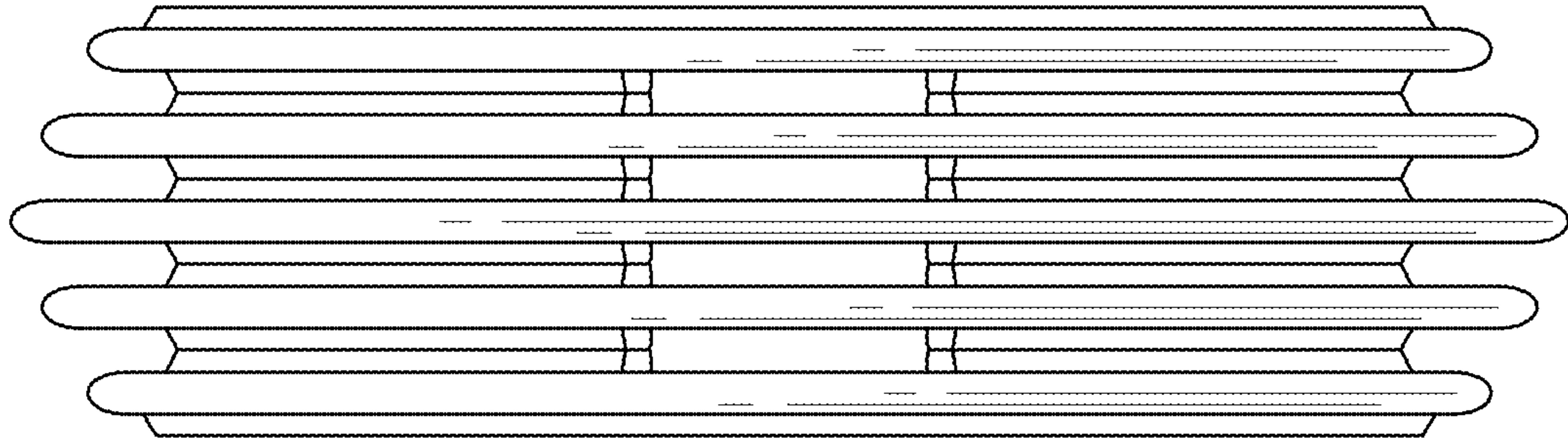


FIG. 2

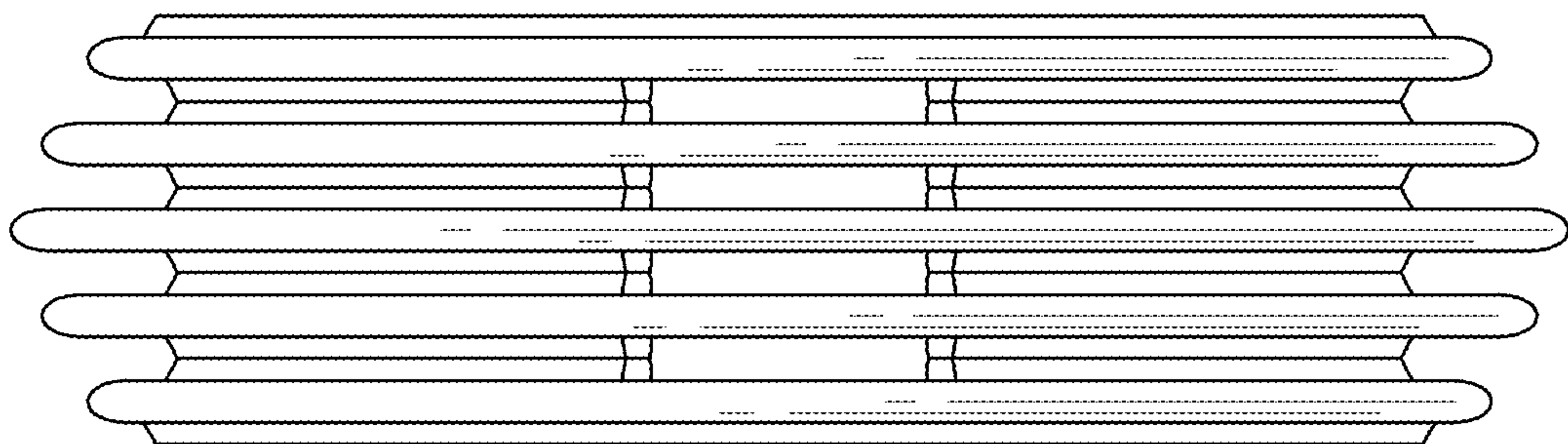


FIG. 3

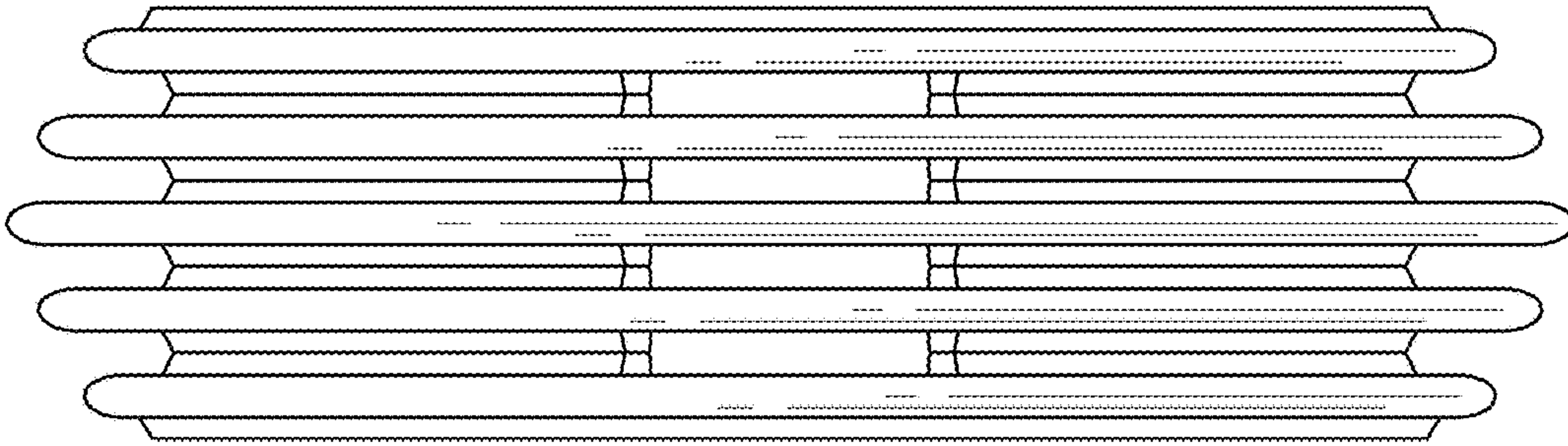


FIG. 4

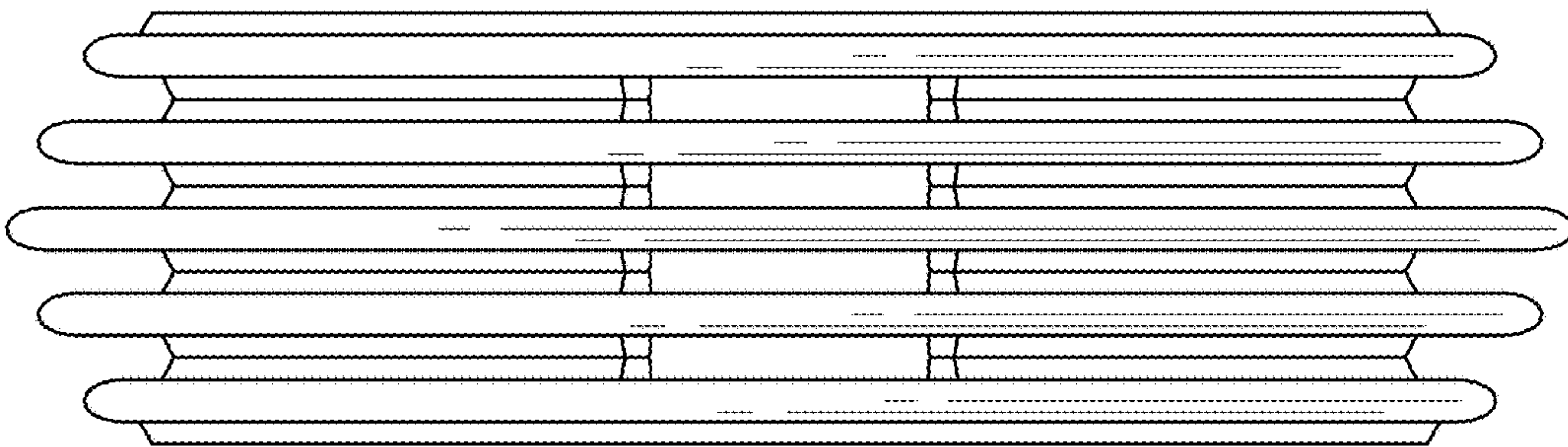


FIG. 5

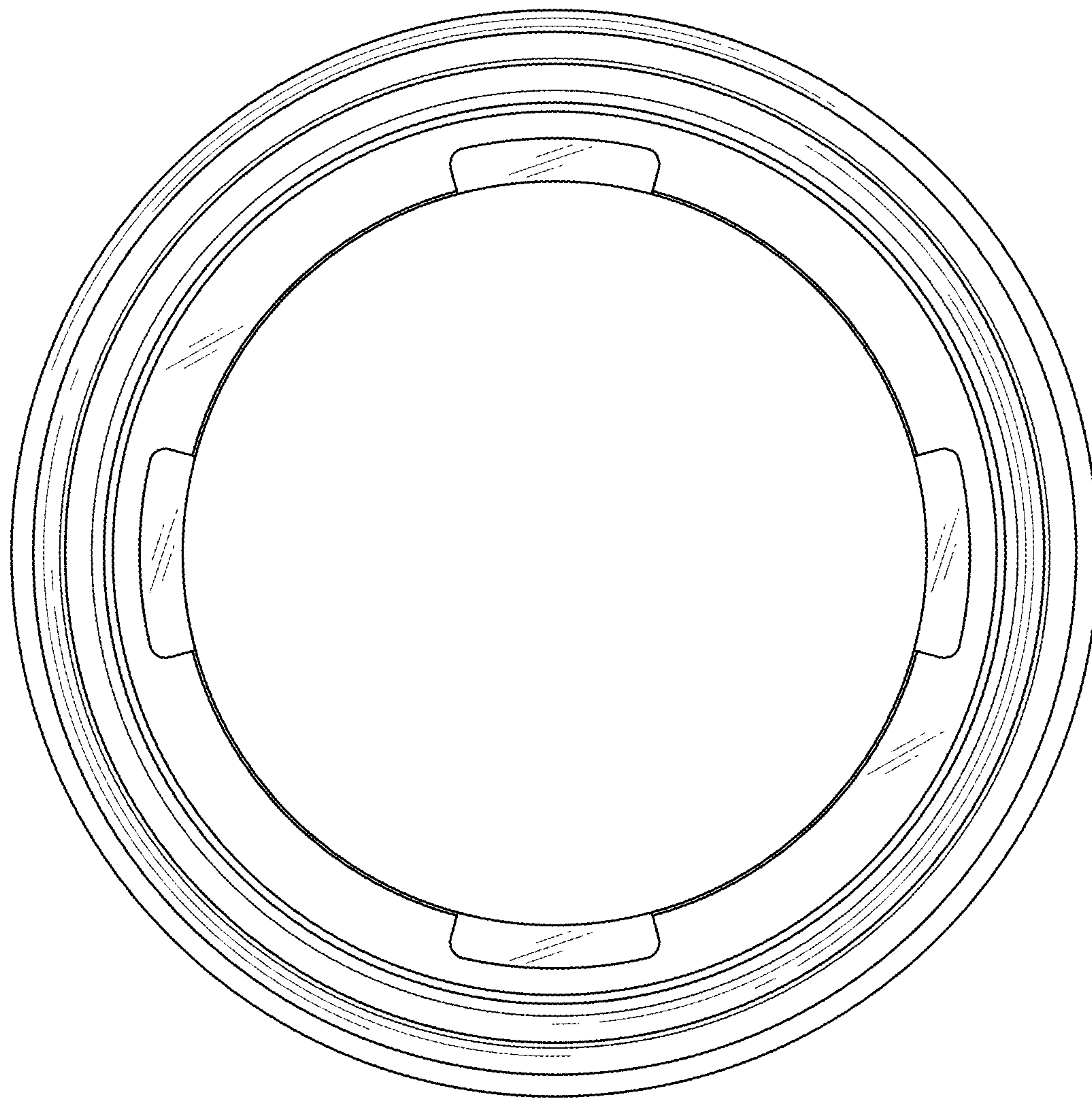


FIG. 6

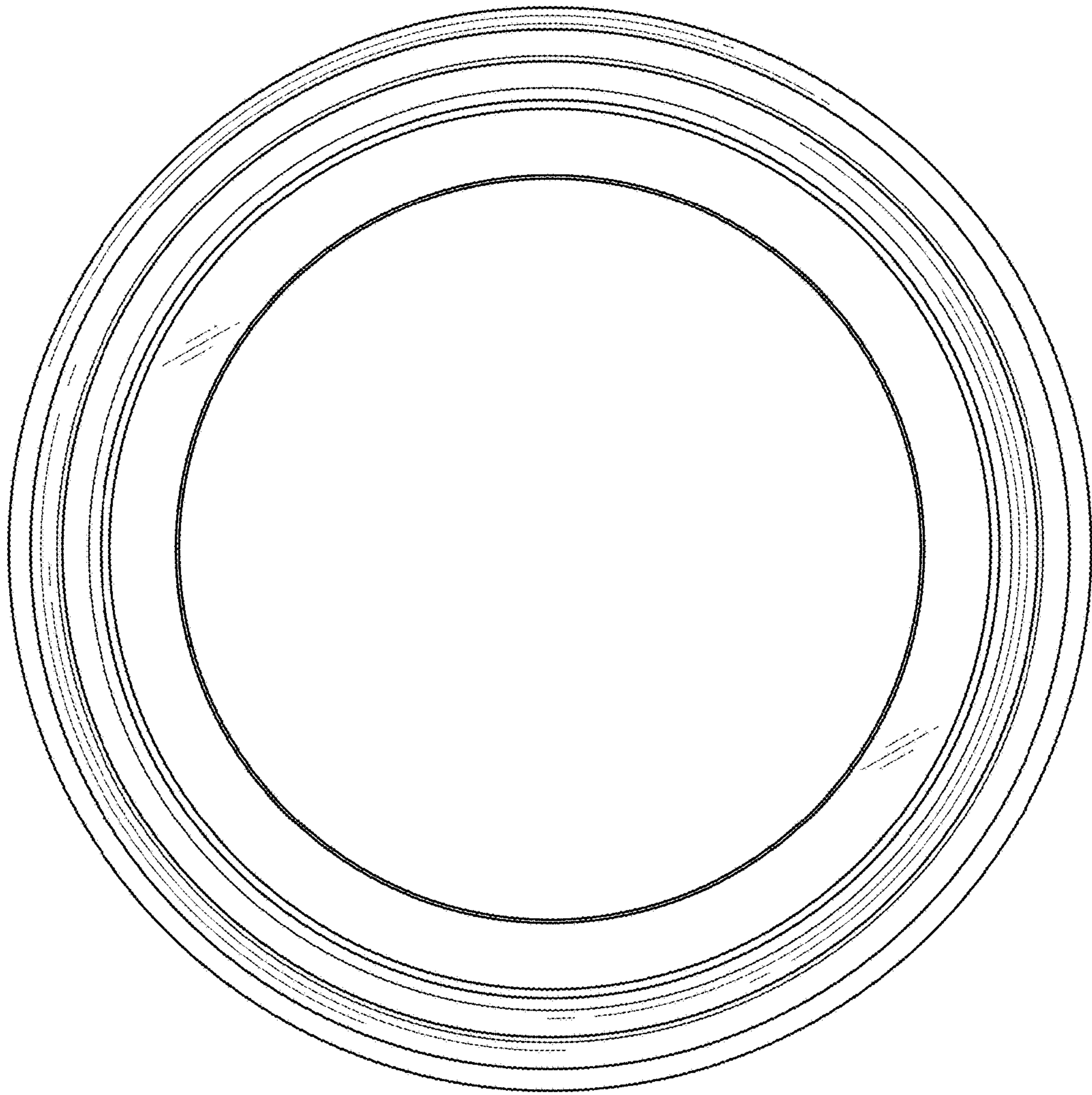


FIG. 7