



US00D786200S

(12) **United States Design Patent** (10) **Patent No.:** **US D786,200 S**  
**Lagerstedt et al.** (45) **Date of Patent:** **\*\* May 9, 2017**

(54) **INFRARED BLASTER**

(71) Applicant: **Savant Systems, LLC**, Hyannis, MA (US)

(72) Inventors: **Jonas Lagerstedt**, San Francisco, CA (US); **Robert Brunner**, San Francisco, CA (US)

(73) Assignee: **Savant Systems, LLC**, Hyannis, MA (US)

(\*\*) Term: **15 Years**

(21) Appl. No.: **29/541,397**

(22) Filed: **Oct. 2, 2015**

(51) **LOC (10) Cl.** ..... **13-02**

(52) **U.S. Cl.**

USPC ..... **D13/168**; D14/240; D14/358; D14/496

(58) **Field of Classification Search**

USPC ..... D13/162, 168; D10/106.1; D14/137, D14/139, 140-140.9, 155, 188, 216, 218, D14/230, 231, 238, 240, 242, 243, 314, D14/356, 357, 358, 434, 447, 496; D16/203

CPC .... H03J 1/0025; H03J 9/00; H03J 9/02; H03J 9/04; H03J 9/06; H04B 1/202; H04B 10/1141; H04B 10/1149; G06F 1/181; G05B 11/01; G08C 17/00; G08C 17/02; H05K 7/1424; H05K 7/1427; H05K 7/16; H01Q 1/007; H04W 52/0206; H04W 88/08; H04W 88/085; H04W 88/10; H04W 88/12; H04W 88/16; H04L 67/306; G11B 33/08; G11B 33/126; G11B 33/128

See application file for complete search history.

(56) **References Cited**

**U.S. PATENT DOCUMENTS**

D96,018 S \* 6/1935 Cannon ..... D14/251  
D358,380 S 5/1995 Sakaguchi  
D368,260 S 3/1996 Oschmann et al.

D401,175 S 11/1998 Bender et al.  
D414,476 S 9/1999 Hibino  
D415,131 S 10/1999 Chang  
D452,509 S \* 12/2001 Allsop ..... D14/458  
D453,350 S 2/2002 Fenton et al.  
D455,166 S 4/2002 Raad et al.  
D476,010 S 6/2003 Tozaki et al.  
D516,043 S 2/2006 Jacoby et al.  
D541,228 S \* 4/2007 Thursfield ..... D13/168  
D570,829 S \* 6/2008 Matsuoka ..... D14/216  
D581,414 S \* 11/2008 Tellier ..... D14/358  
D581,927 S \* 12/2008 Sumii ..... D14/356  
7,577,364 B2 \* 8/2009 Edwards ..... H04B 10/1149  
257/444  
D600,216 S \* 9/2009 Glassman ..... D13/168

(Continued)

**OTHER PUBLICATIONS**

<http://www.bing.com/images/search?view=detailV2&ccid=tU2K18fo&id=1FD010F4518B5AB6A8B5B130B00D076FCB7A3069&q=truncated+slanted+cone&simid=608029806946419862&selectedIndex=100&ajaxhist=0>, date unknown.\*

*Primary Examiner* — Selina Sikder

(74) *Attorney, Agent, or Firm* — Cesari and McKenna, LLP; James A. Blanchette

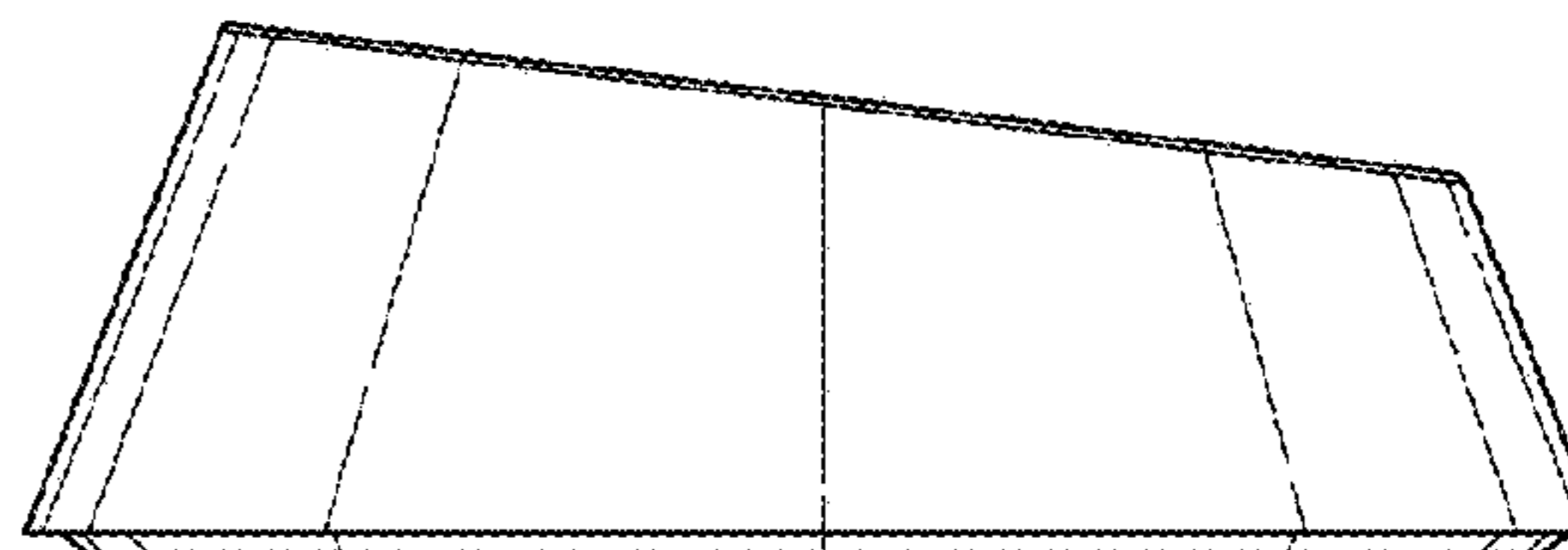
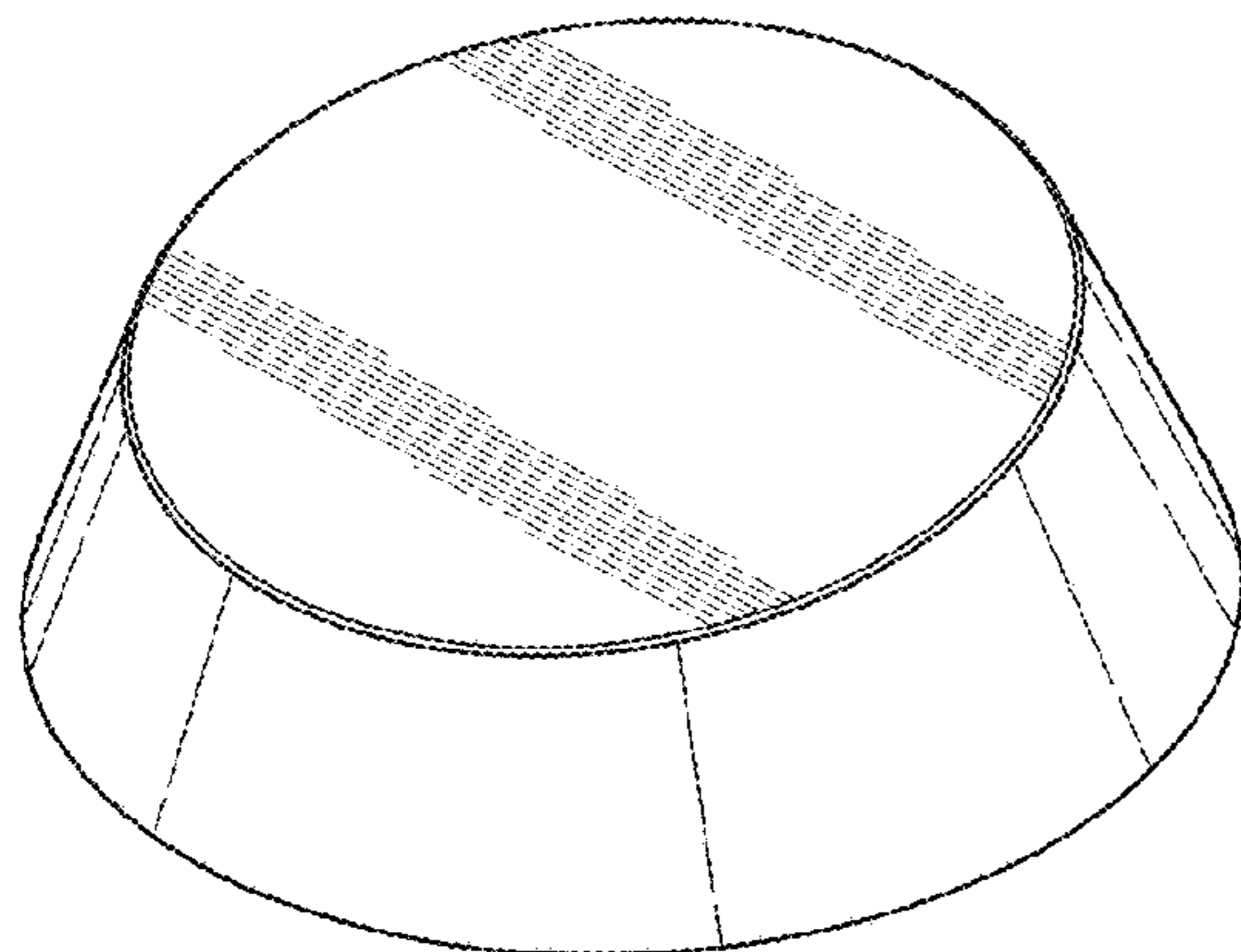
(57) **CLAIM**

We claim the ornamental design for an infrared blaster, as shown and described.

**DESCRIPTION**

FIG. 1 is a perspective view showing the new design; FIG. 2 is a top plan view thereof; FIG. 3 is a left side elevational view thereof; FIG. 4 is a front elevational view thereof; FIG. 5 is a right side elevational view thereof; FIG. 6 is a back elevational view thereof; and, FIG. 7 is a bottom plan view thereof.

(Continued)



The broken lines showing portions of the infrared blaster in FIG. 7 are for illustrative purposes only, and form no part of the claimed design.

**1 Claim, 4 Drawing Sheets**

(56)

**References Cited**

U.S. PATENT DOCUMENTS

D620,884 S \* 8/2010 Lee ..... D13/108  
 D640,976 S \* 7/2011 Matsuoka ..... D13/108  
 D662,846 S 7/2012 Ni et al.  
 D662,939 S \* 7/2012 Akana ..... D14/447  
 D669,432 S \* 10/2012 Park ..... D13/108  
 D687,809 S \* 8/2013 Bergmann ..... D14/209.1  
 D691,965 S \* 10/2013 Bedolla ..... D13/162  
 D695,701 S \* 12/2013 Lee ..... D14/126  
 D697,027 S \* 1/2014 Ho ..... D13/108  
 D703,237 S \* 4/2014 Choi ..... D14/502  
 D714,248 S \* 9/2014 Chang ..... D14/140

D714,787 S 10/2014 Matsuoka  
 D725,285 S \* 3/2015 Wohlstadter ..... D14/336  
 D726,156 S \* 4/2015 Gillespie-Brown ..... D14/216  
 D726,161 S \* 4/2015 Howard ..... D14/218  
 D727,877 S \* 4/2015 Seoc ..... D14/209.1  
 D743,954 S \* 11/2015 Chuang ..... D13/168  
 D746,166 S \* 12/2015 Li ..... D10/104.1  
 D752,552 S \* 3/2016 D'Ascanio ..... D14/216  
 D766,844 S \* 9/2016 Turksu ..... D10/104.1  
 9,438,339 B1 \* 9/2016 Chan ..... H04B 10/1141  
 D770,416 S \* 11/2016 Tkachuk ..... D14/216  
 D770,534 S \* 11/2016 Thissen ..... D14/496  
 D776,656 S \* 1/2017 Lagerstedt ..... D14/240  
 D776,657 S \* 1/2017 Lagerstedt ..... D14/240  
 2009/0269073 A1 \* 10/2009 Kitaji ..... H04B 10/1149  
 398/130  
 2010/0232799 A1 \* 9/2010 Lueck ..... H04B 10/1149  
 398/118  
 2014/0286641 A1 \* 9/2014 Yee ..... G08C 23/04  
 398/107  
 2014/0341585 A1 \* 11/2014 Lee ..... G08C 17/02  
 398/106  
 2016/0308615 A1 \* 10/2016 Videv ..... H04B 10/1129

\* cited by examiner

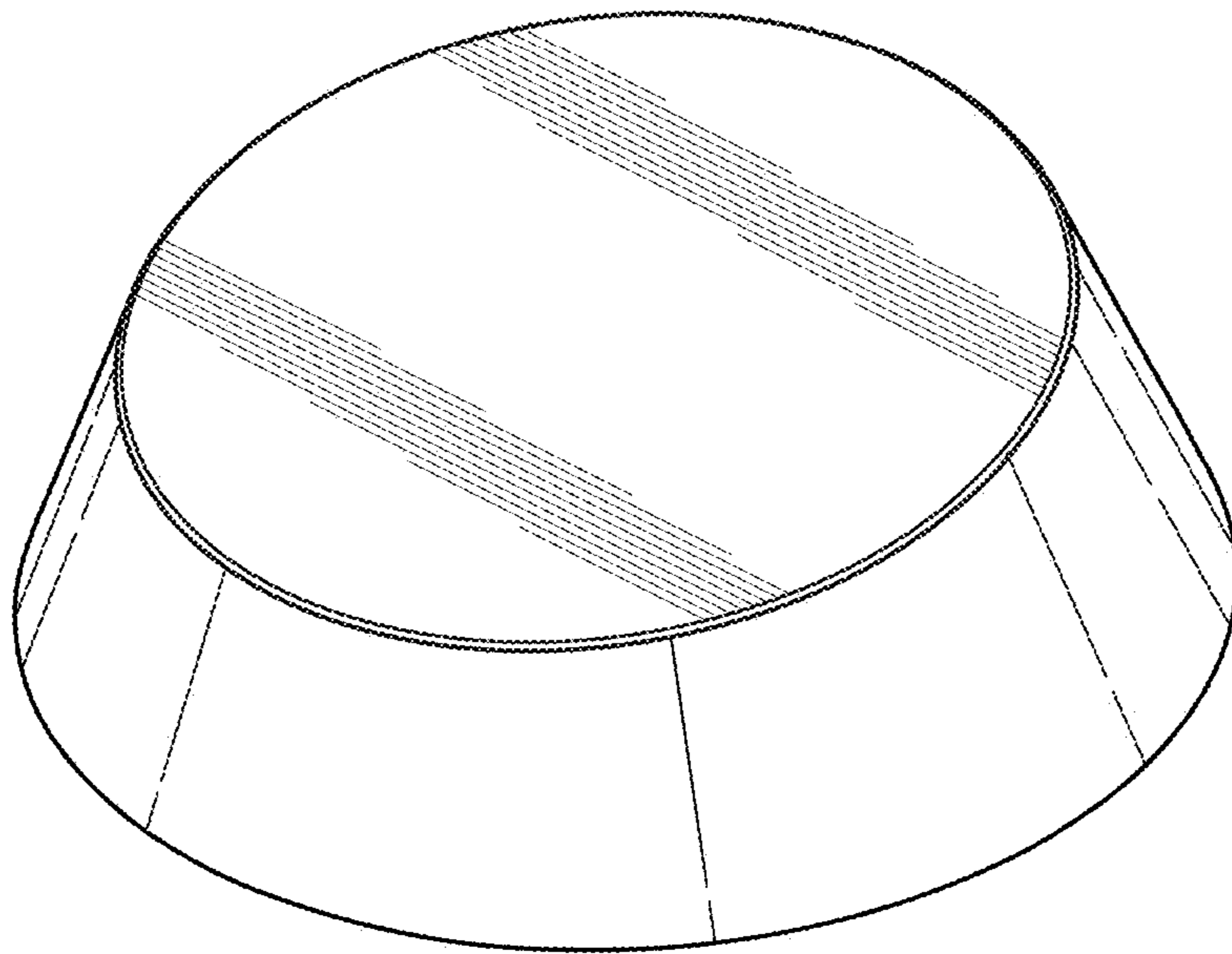


FIG. 1

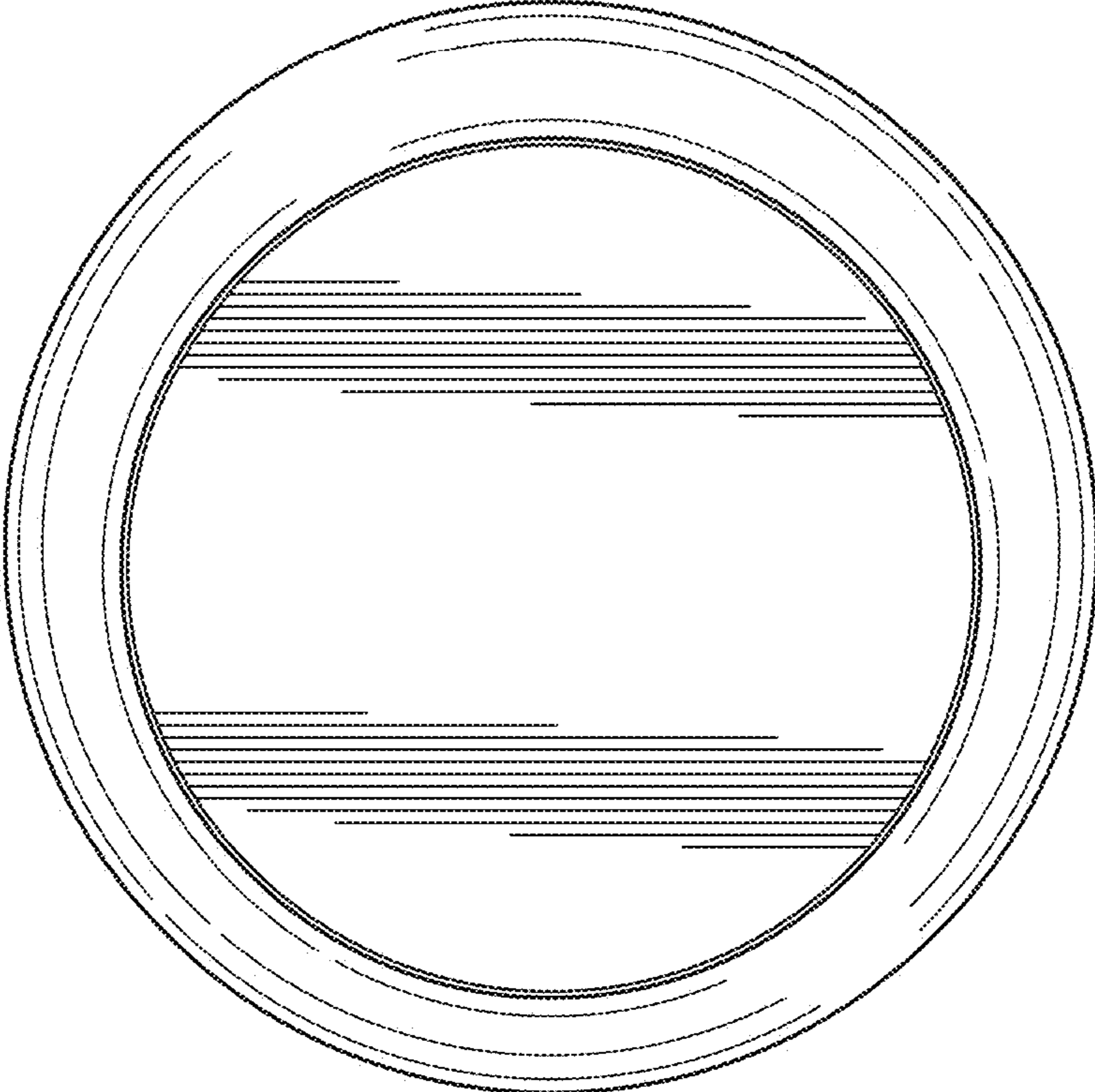


FIG. 2

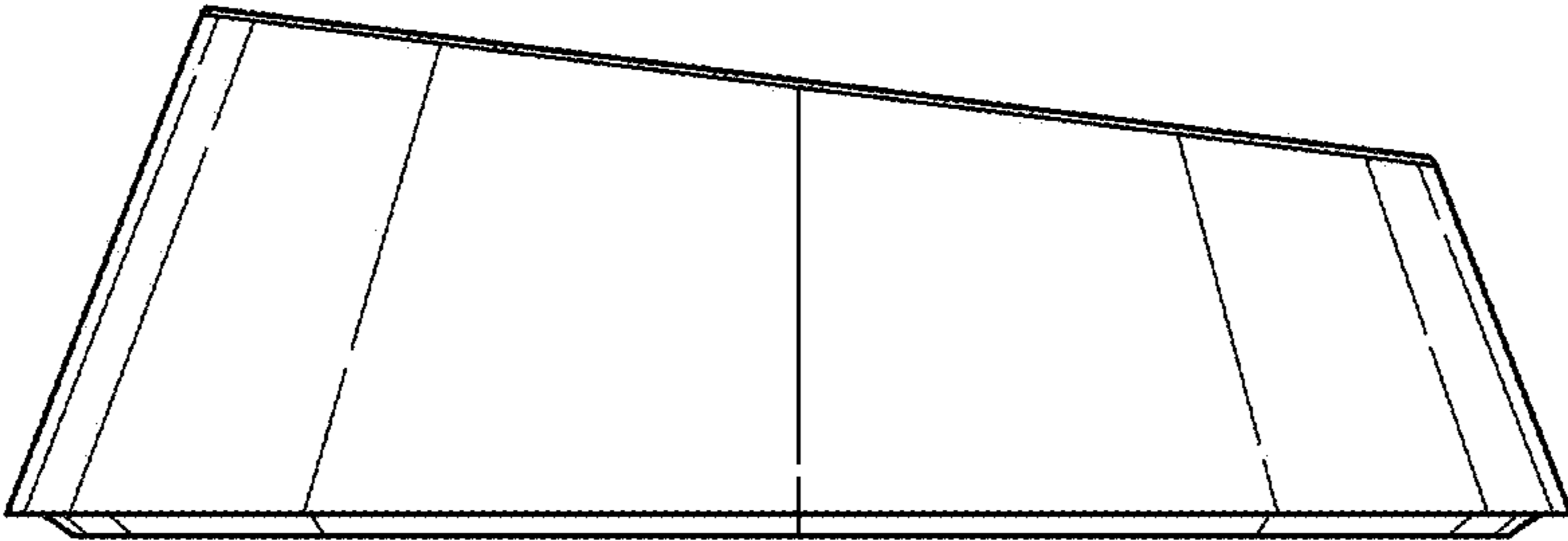


FIG. 3

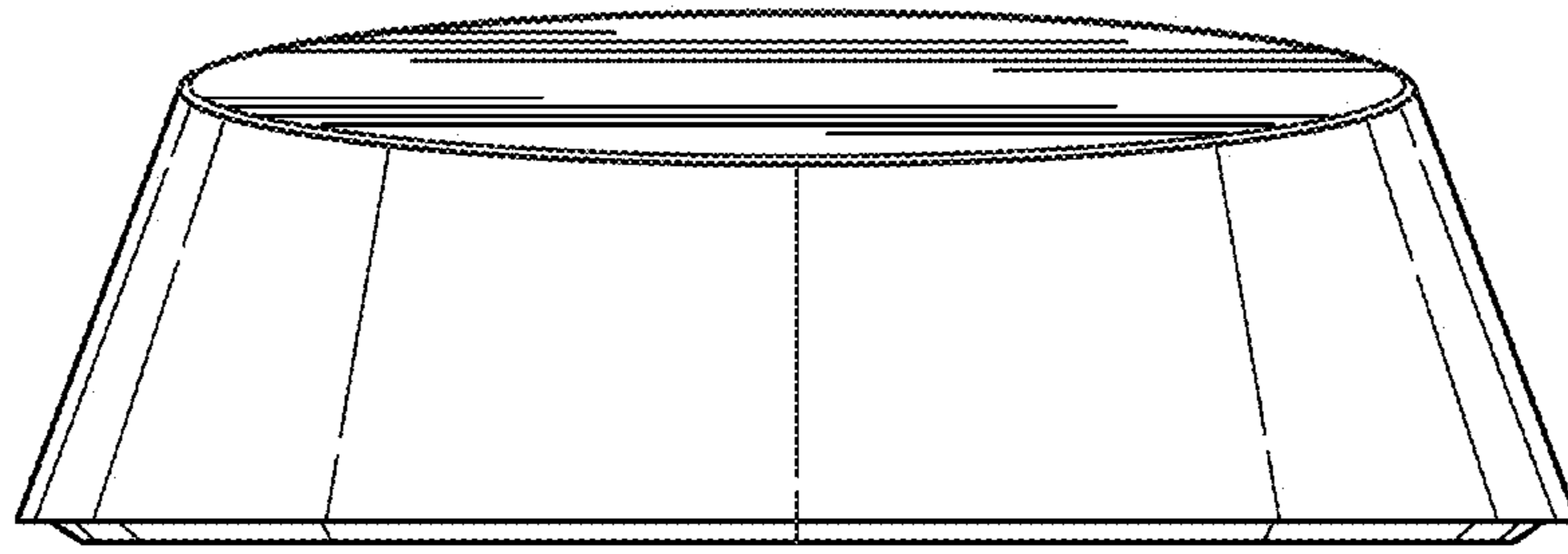


FIG. 4

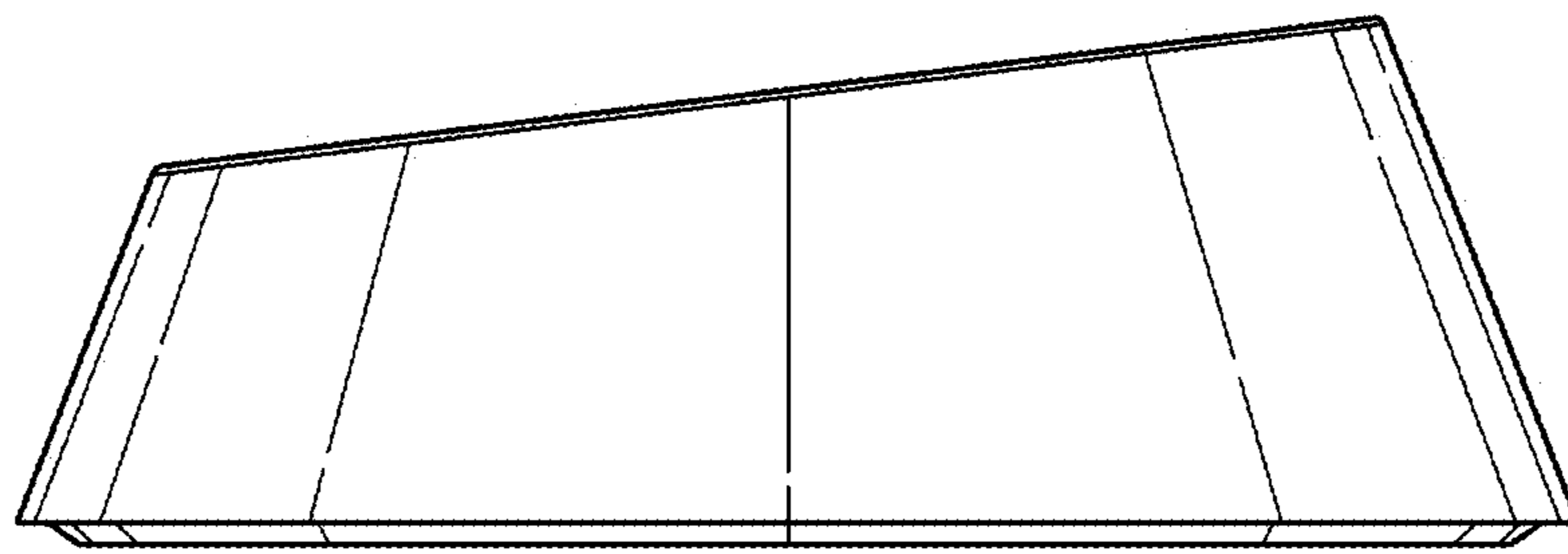


FIG. 5



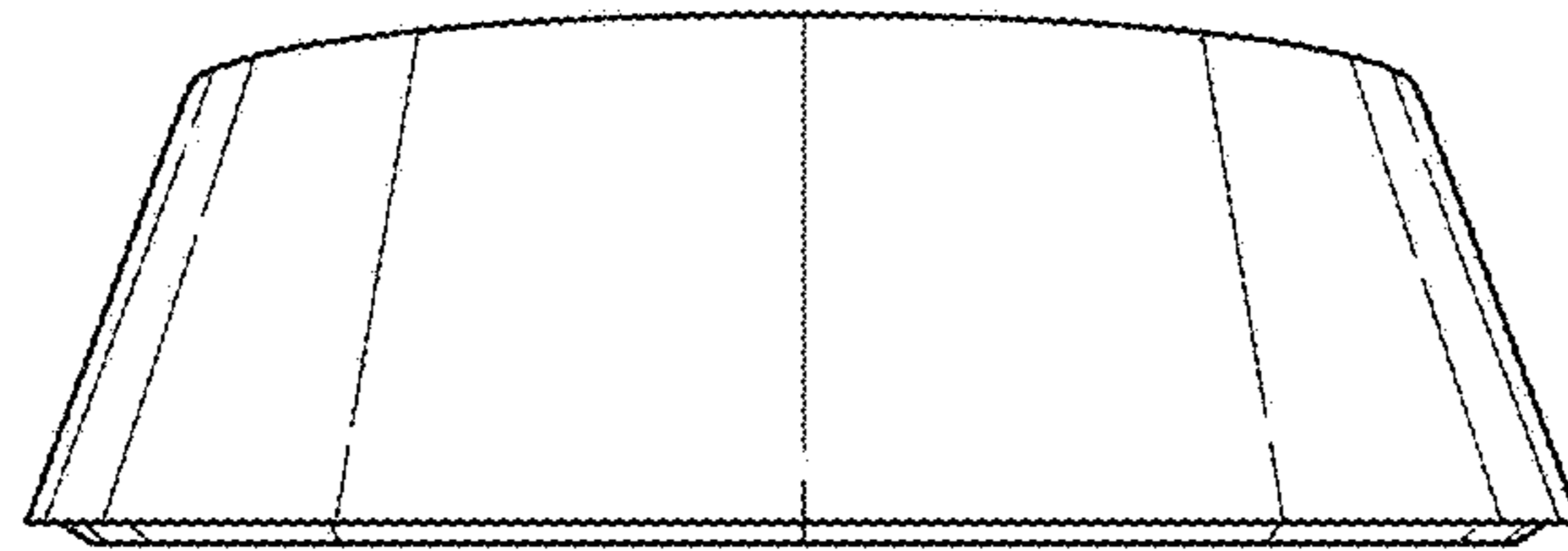


FIG. 6

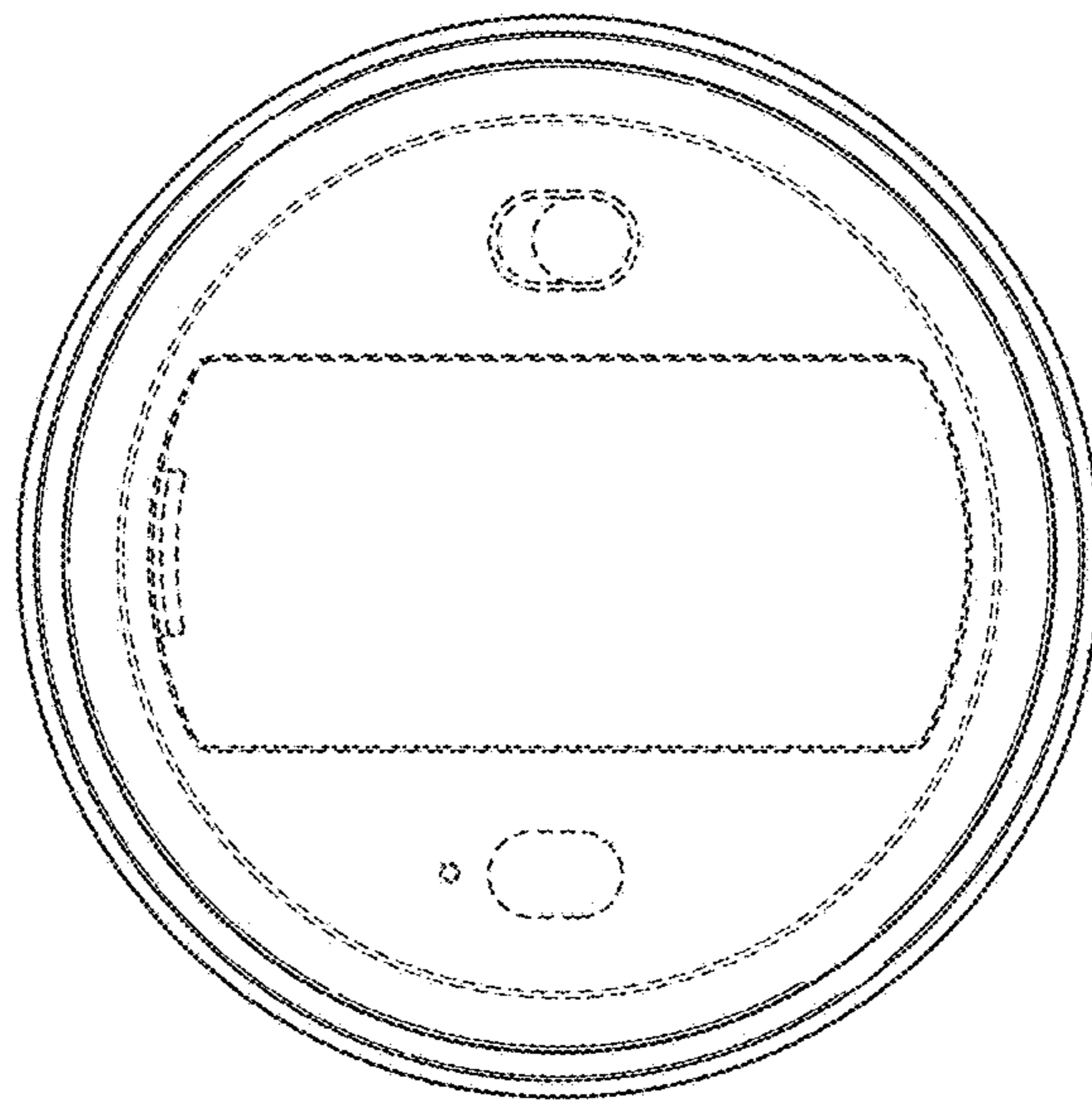


FIG. 7