



US00D786197S

(12) **United States Design Patent**
Imai

(10) **Patent No.:** **US D786,197 S**

(45) **Date of Patent:** **** May 9, 2017**

(54) **TERMINAL BLOCK**

(71) Applicant: **KABUSHIKI KAISHA TOYOTA JIDOSHOKKI**, Kariya-shi, Aichi-ken (JP)

(72) Inventor: **Tsutomu Imai**, Kariya (JP)

(73) Assignee: **KABUSHIKI KAISHA TOYOTA JIDOSHOKKI**, Kariya-shi, Aichi-ken (JP)

(**) Term: **15 Years**

(21) Appl. No.: **29/529,712**

(22) Filed: **Jun. 10, 2015**

(30) **Foreign Application Priority Data**

Dec. 12, 2014 (JP) 2014-027759

(51) **LOC (10) Cl.** **13-03**

(52) **U.S. Cl.**
USPC **D13/154; D13/158**

(58) **Field of Classification Search**
USPC D13/123, 133, 146, 147, 154, 158, 184, D13/199
CPC H01R 4/24; H01R 4/48; H01R 4/4818; H01R 9/24; H01R 9/26; H01R 13/52; H01R 13/627; B60R 1/072
See application file for complete search history.

(56) **References Cited**

U.S. PATENT DOCUMENTS

D202,350 S * 9/1965 Schrader et al. D13/110
D432,987 S * 10/2000 Seo D13/123

2011/0285220 A1* 11/2011 Sonohara H02K 5/225 310/53
2012/0050901 A1* 3/2012 Tobin B60R 1/072 359/877
2014/0242838 A1* 8/2014 Ikezawa H01R 13/405 439/587
2016/0204529 A1* 7/2016 Imai H01R 9/24 439/587

* cited by examiner

Primary Examiner — Daniel Bui

(74) *Attorney, Agent, or Firm* — Sughrue Mion, PLLC

(57) **CLAIM**

The ornamental design for a terminal block, as shown and described.

DESCRIPTION

FIG. 1 is a front, top, and right side perspective view of a terminal block showing my new design;
FIG. 2 is a rear, bottom, and left side perspective view thereof;
FIG. 3 is a front elevational view thereof;
FIG. 4 is a rear elevational view thereof;
FIG. 5 is a top plan view thereof;
FIG. 6 is a bottom plan view thereof;
FIG. 7 is a right side elevational view thereof; and,
FIG. 8 is a left side elevational view thereof.
The features shown in broken lines in the drawings depict environmental subject matter only and form no part of the claimed design.

1 Claim, 8 Drawing Sheets

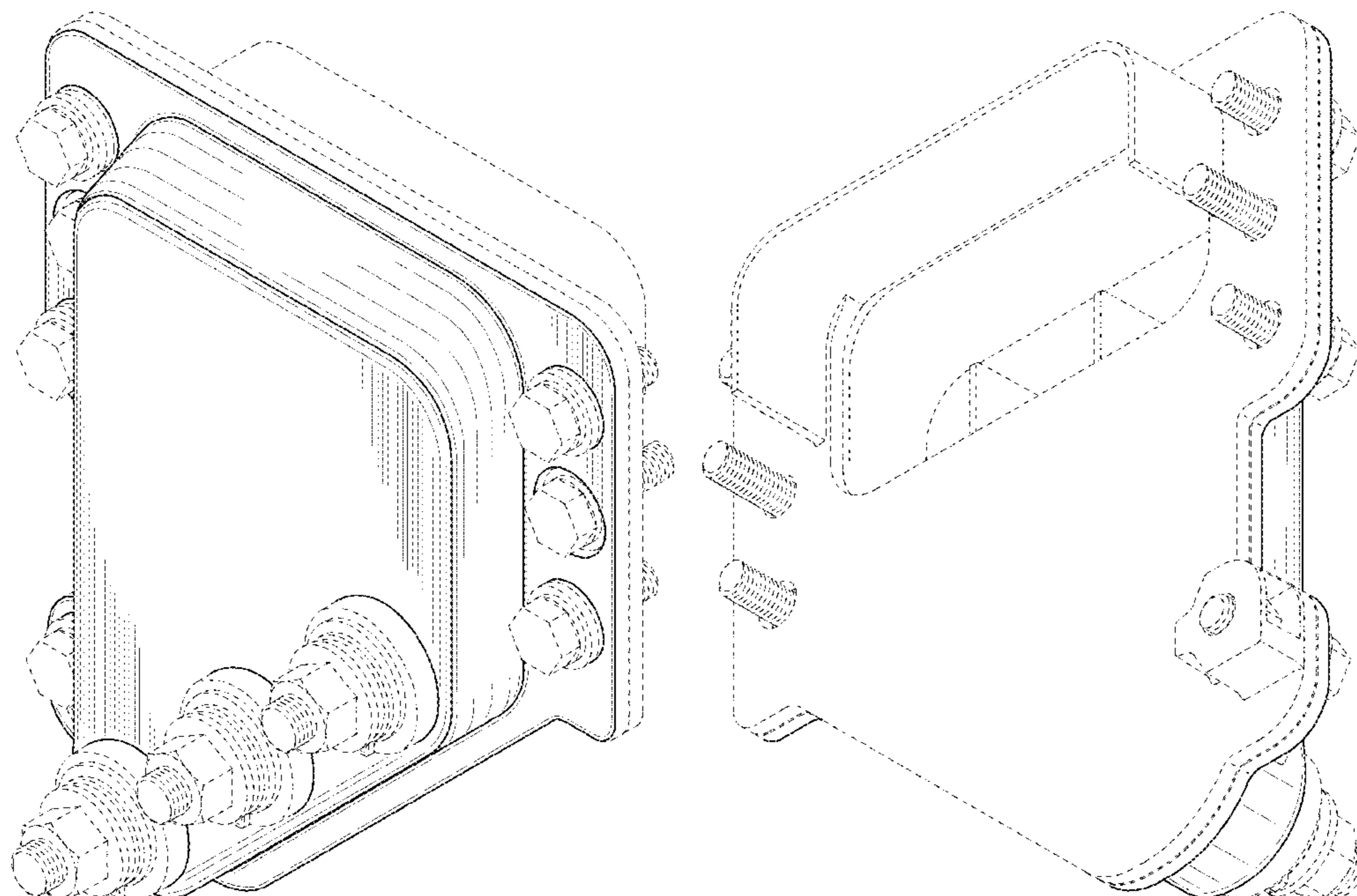


FIG. 1

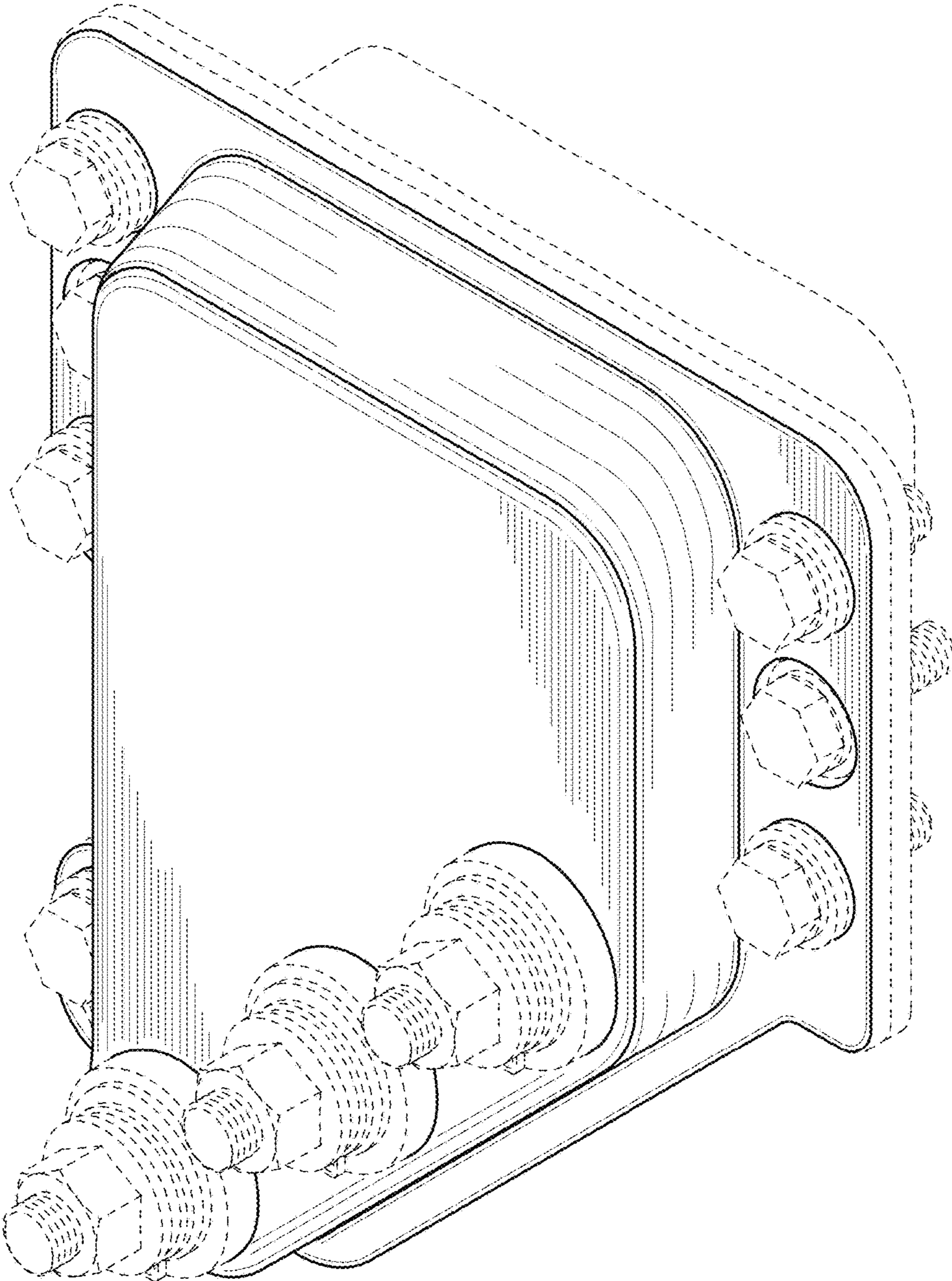


FIG. 2

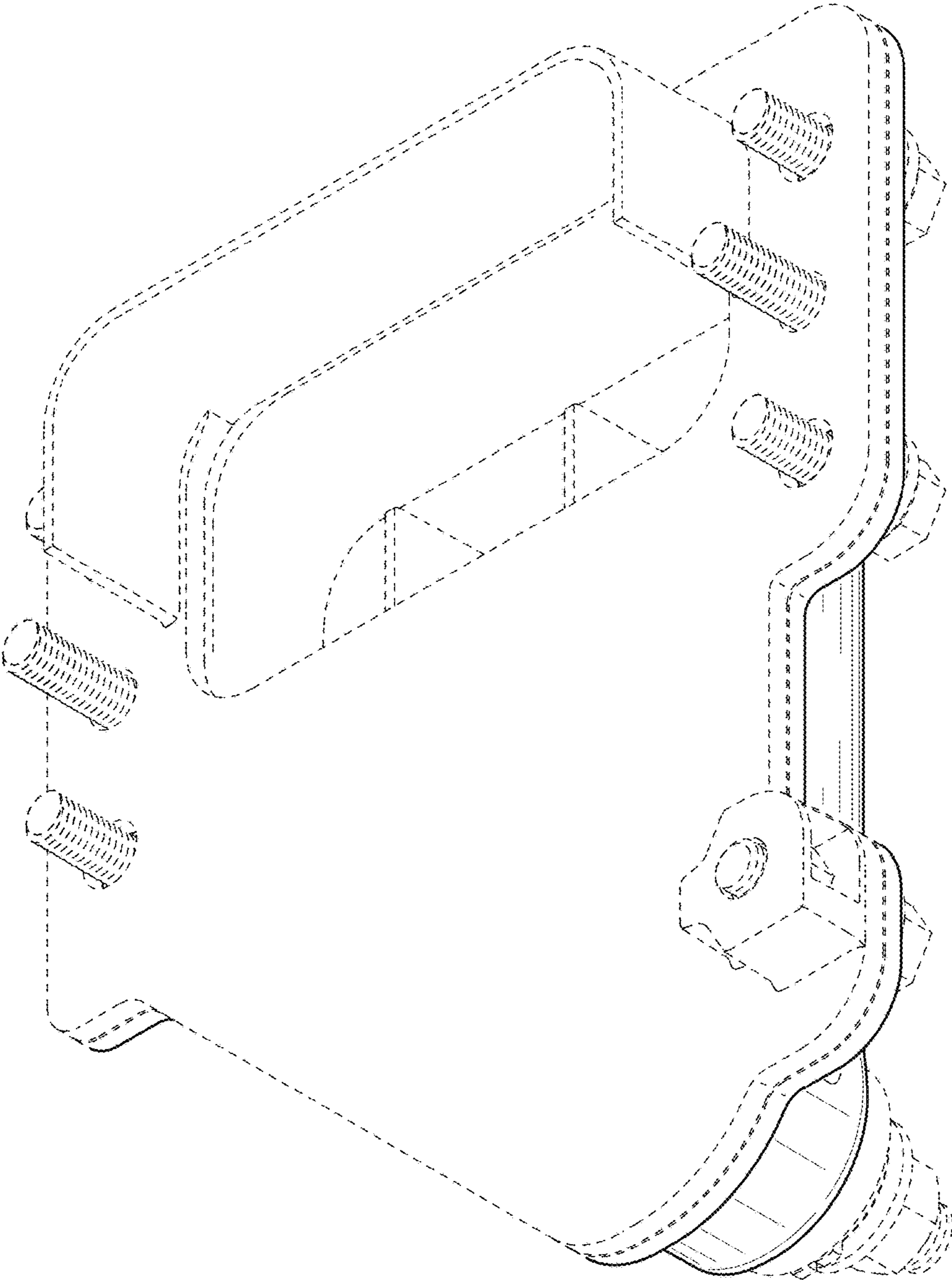


FIG. 3

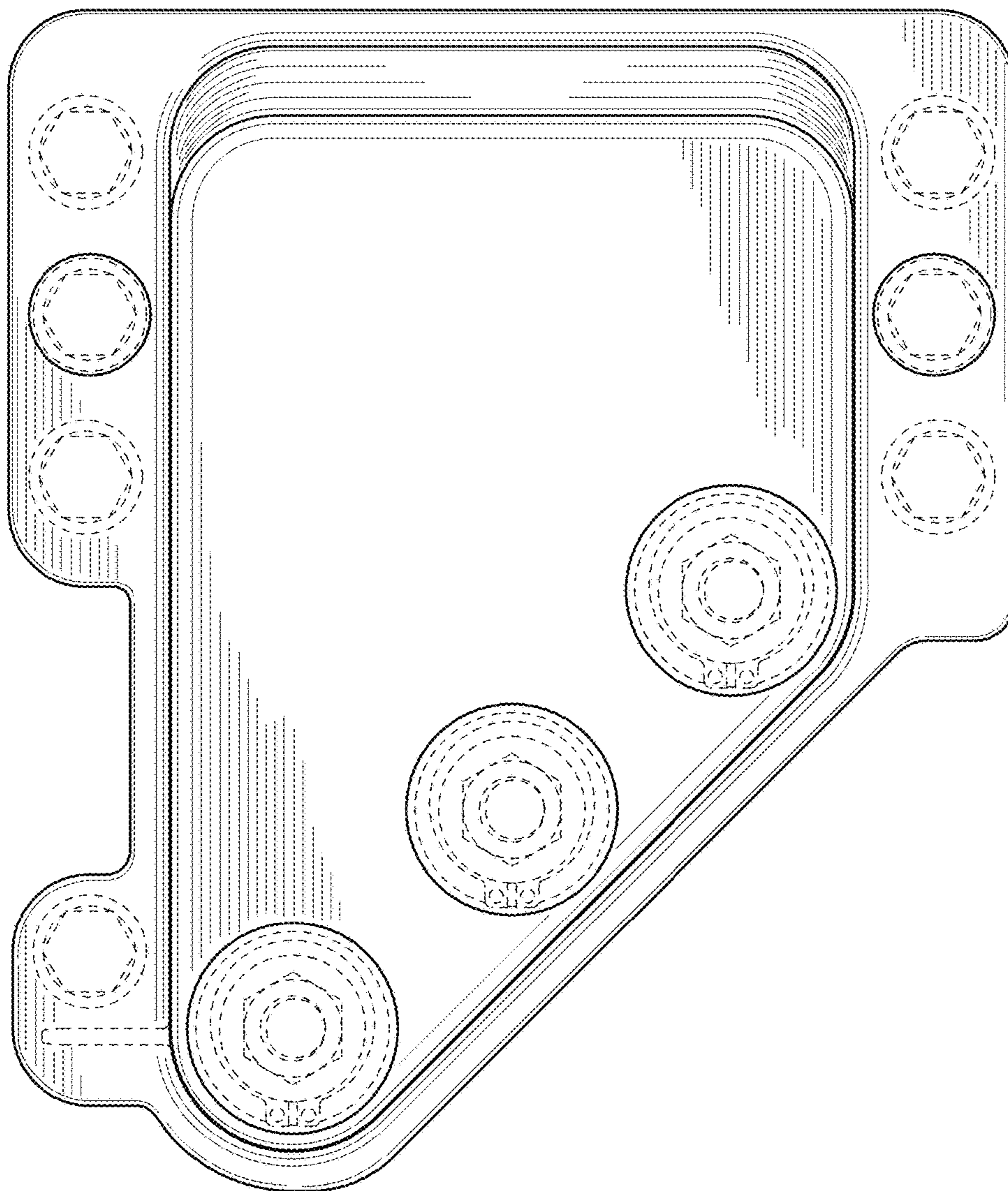


FIG. 4

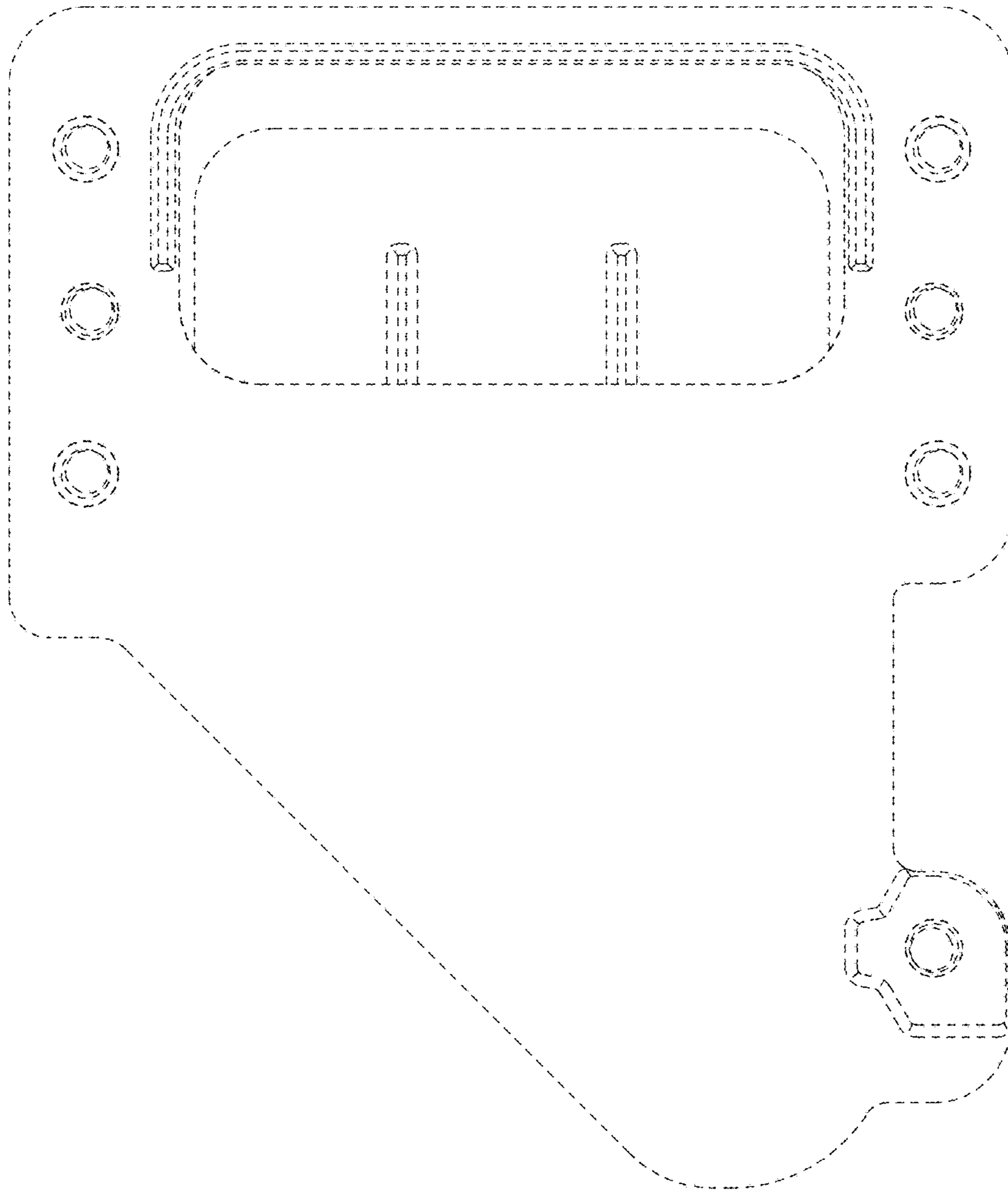


FIG. 5

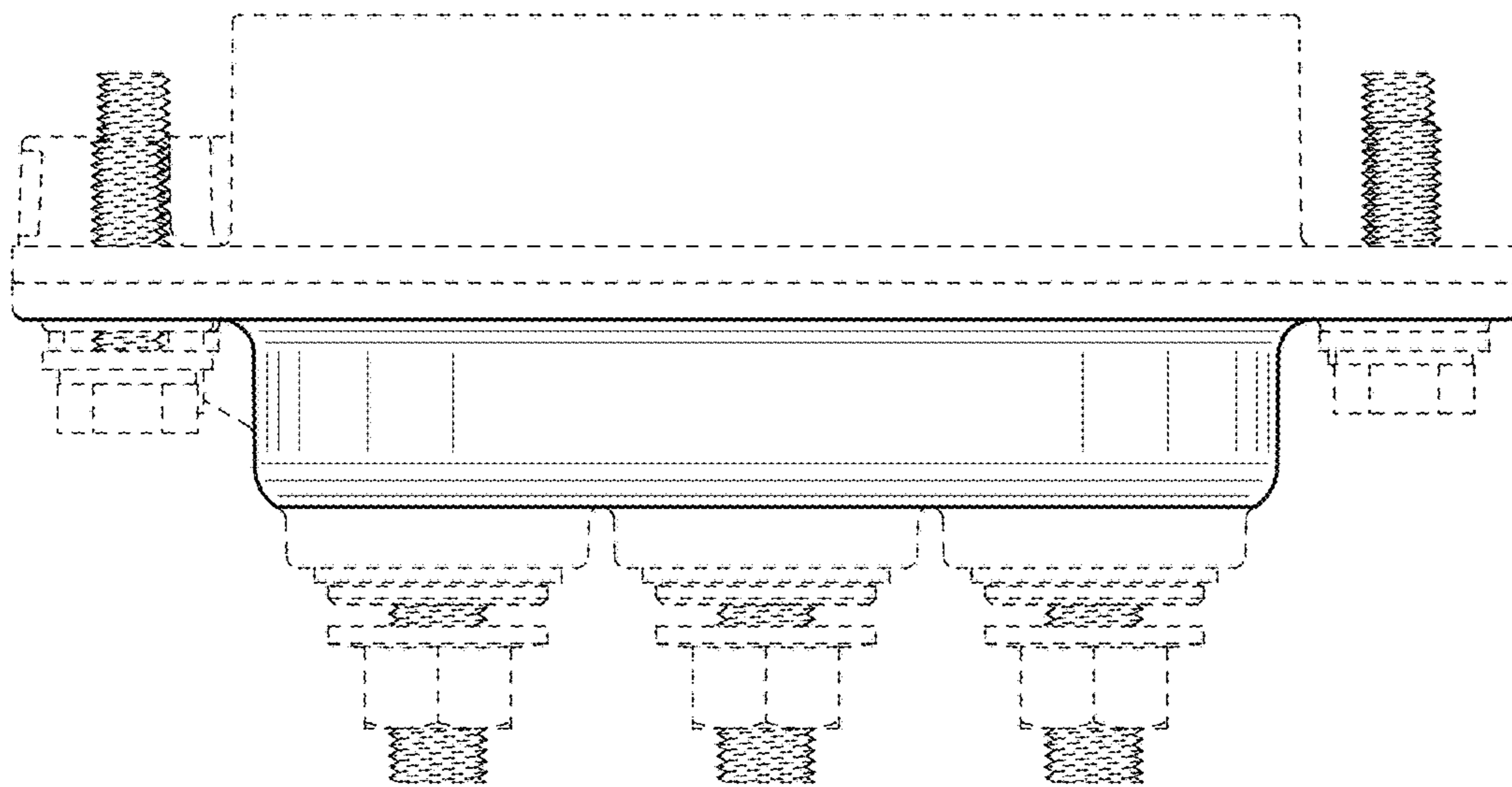


FIG. 6

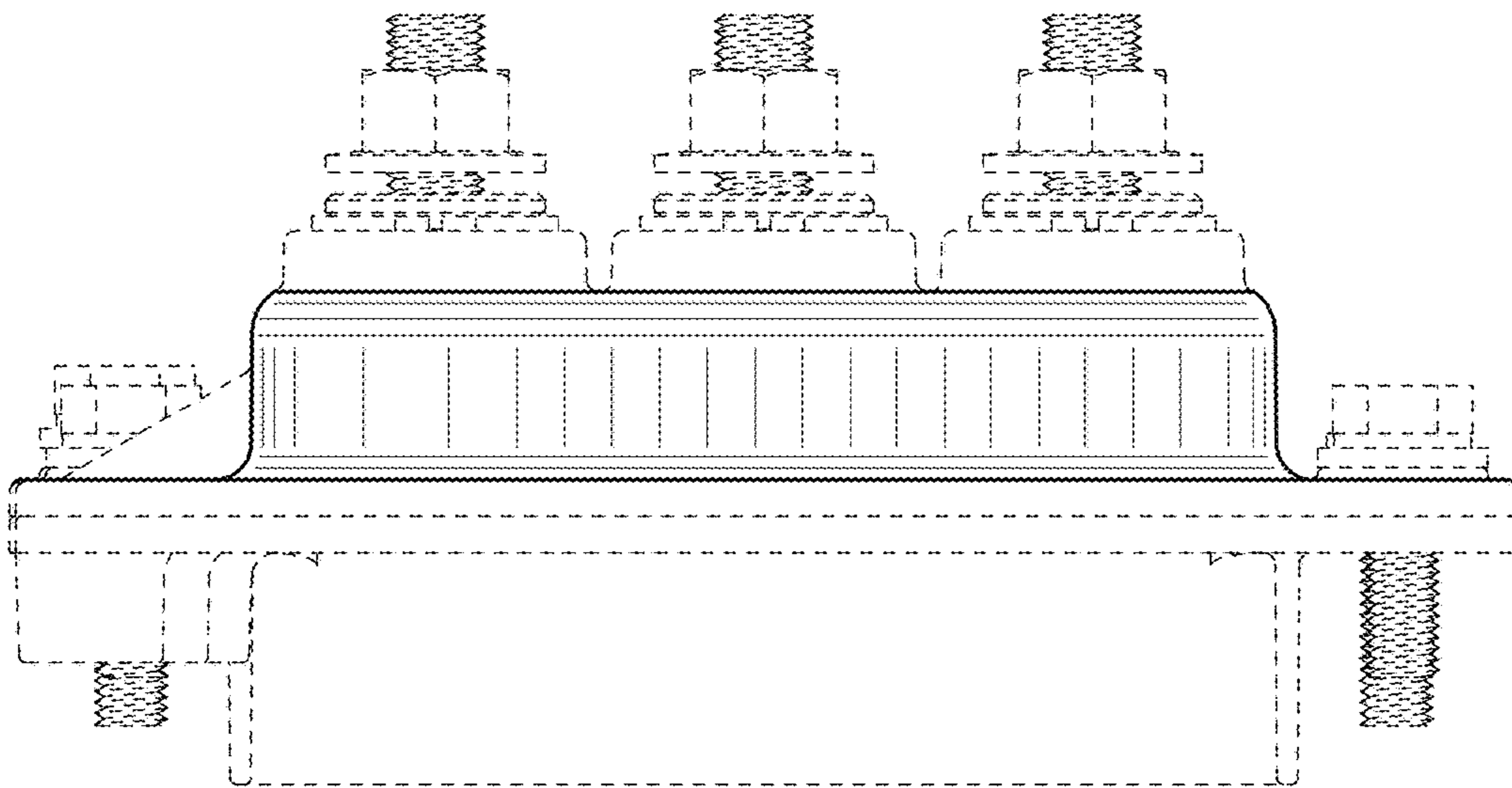


FIG. 7

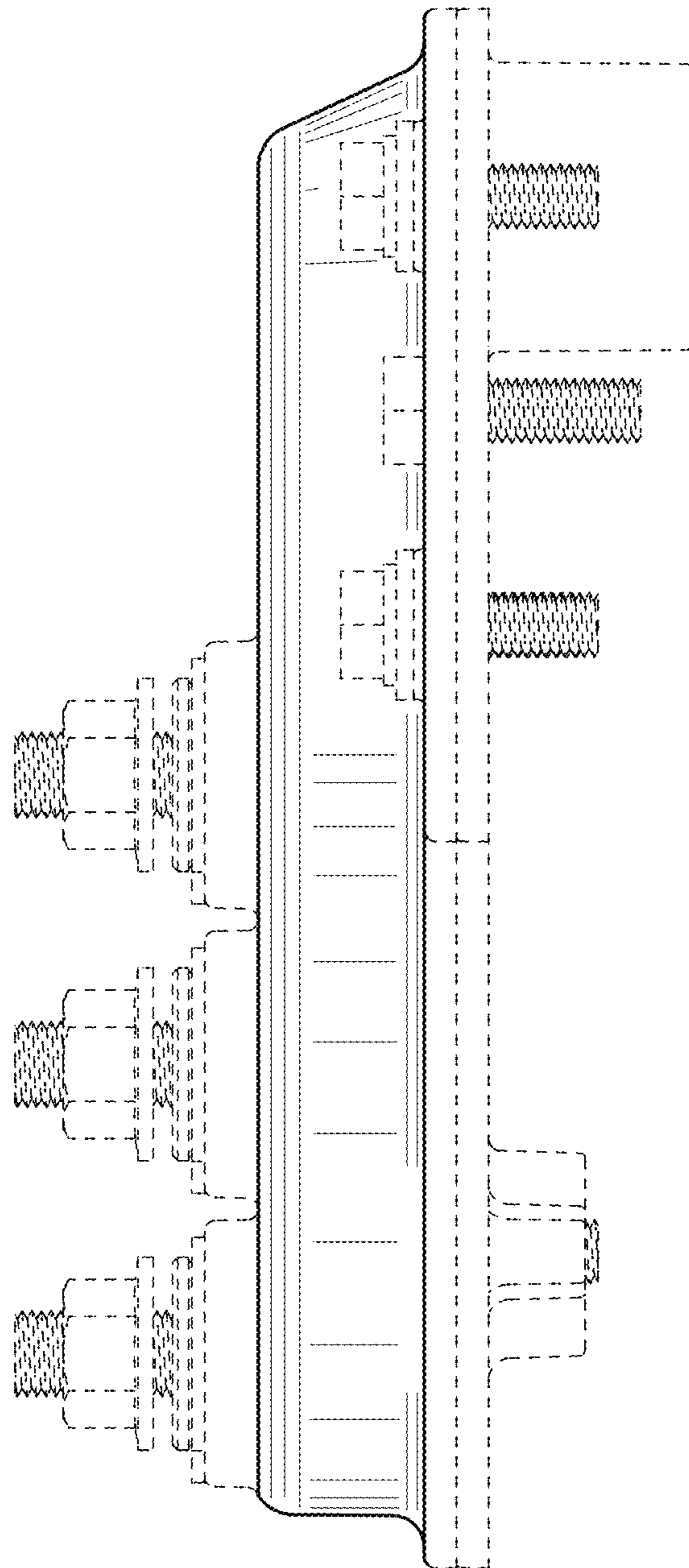


FIG. 8

