



US00D786196S

(12) **United States Design Patent**
Takagi et al.

(10) **Patent No.:** **US D786,196 S**

(45) **Date of Patent:** **** May 9, 2017**

(54) **CHARGING CONNECTOR**

(71) Applicant: **Japan Aviation Electronics Industry, Limited**, Tokyo (JP)

(72) Inventors: **Youhei Takagi**, Tokyo (JP); **Kana Kagawa**, Tokyo (JP)

(73) Assignee: **JAPAN AVIATION ELECTRONICS INDUSTRY, LIMITED**, Tokyo (JP)

(**) Term: **15 Years**

(21) Appl. No.: **29/544,380**

(22) Filed: **Nov. 3, 2015**

(30) **Foreign Application Priority Data**

May 15, 2015 (JP) 2015-010610

(51) **LOC (10) Cl.** **13-03**

(52) **U.S. Cl.**
USPC **D13/147**

(58) **Field of Classification Search**
USPC D13/146, 147, 154, 184, 199
CPC H01R 13/04; H01R 13/506; H01R 13/56;
H01R 13/58; H01R 13/5804; H01R
13/44; H01R 13/62; H01R 13/625; H01R
13/627; H01R 13/639; H01R 13/64;
H01R 13/641; H01R 13/6683; B60L
11/18

See application file for complete search history.

(56) **References Cited**

U.S. PATENT DOCUMENTS

D161,900 S * 2/1951 Burt et al. D13/146
D328,281 S * 7/1992 Nociar D13/146

D335,122 S * 4/1993 Hughes D13/146
D370,204 S * 5/1996 Kittridge D13/146
D697,869 S * 1/2014 Yamamoto D13/146

* cited by examiner

Primary Examiner — Daniel Bui

(74) *Attorney, Agent, or Firm* — Manabu Kanesaka

(57) **CLAIM**

The ornamental design for a charging connector, as shown and described.

DESCRIPTION

FIG. 1 is a front elevational view of a charging connector showing our new design;

FIG. 2 is a rear elevational view thereof;

FIG. 3 is a right side elevational view thereof;

FIG. 4 is a left side elevational view thereof;

FIG. 5 is a top plan view thereof;

FIG. 6 is a bottom plan view thereof;

FIG. 7 is a perspective view showing a front, top and right side thereof;

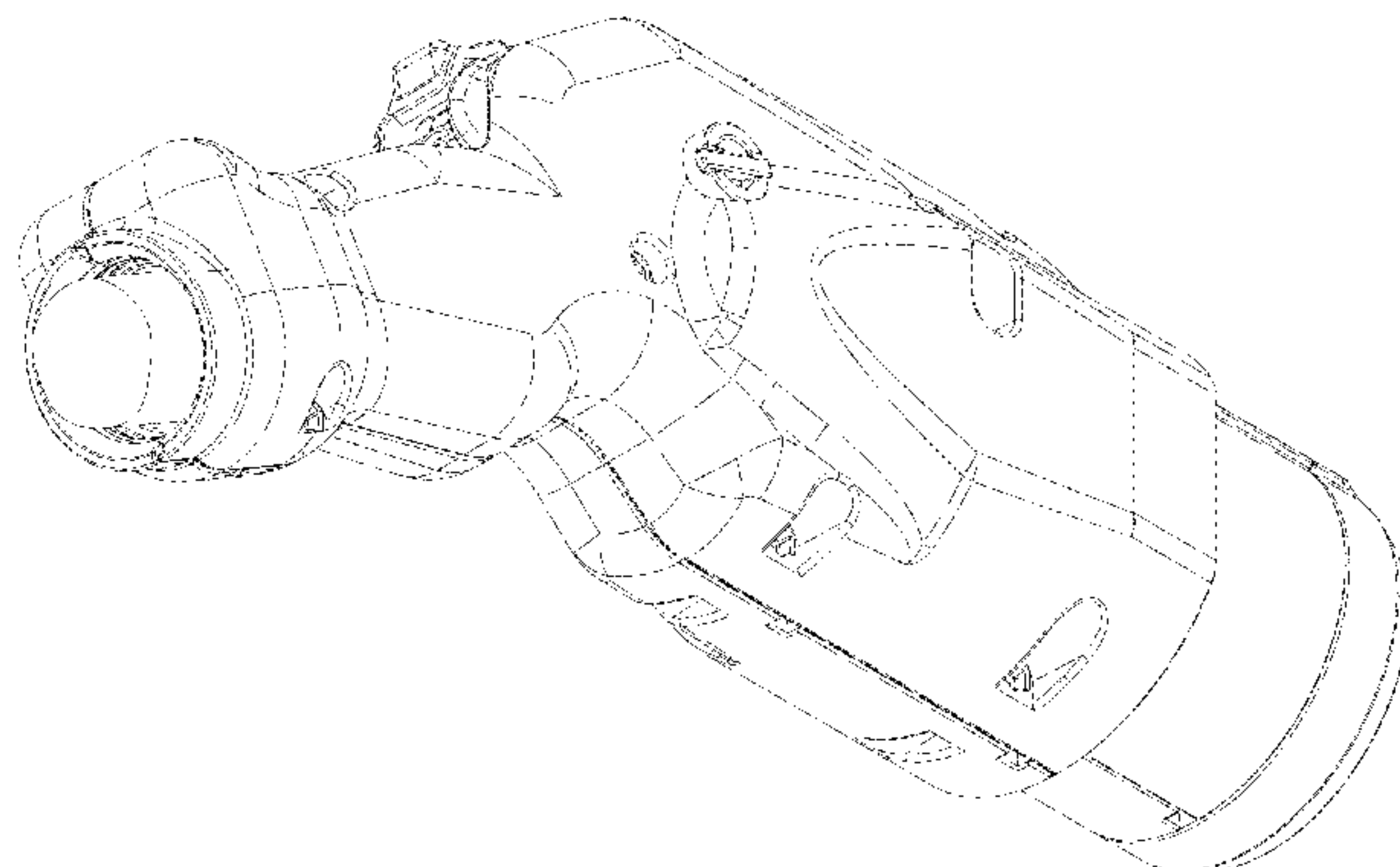
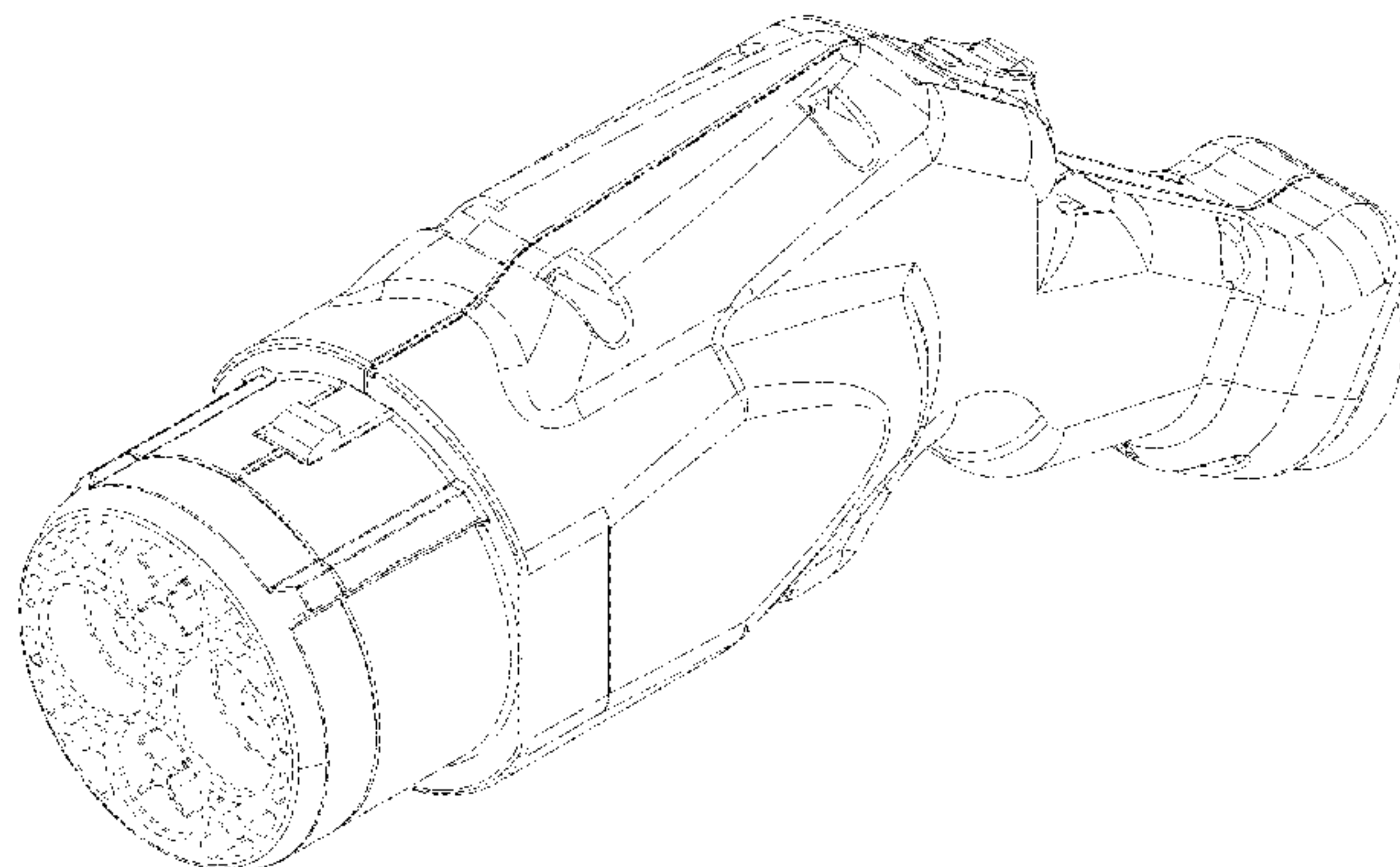
FIG. 8 is a perspective view showing a rear, bottom and left side thereof;

FIG. 9 is a perspective view showing a front, right side and bottom thereof; and,

FIG. 10 is a perspective view showing a rear, left side and top thereof.

The broken line shown in the drawing views represents unclaimed portions of the charging connector and forms no part of the design.

1 Claim, 10 Drawing Sheets



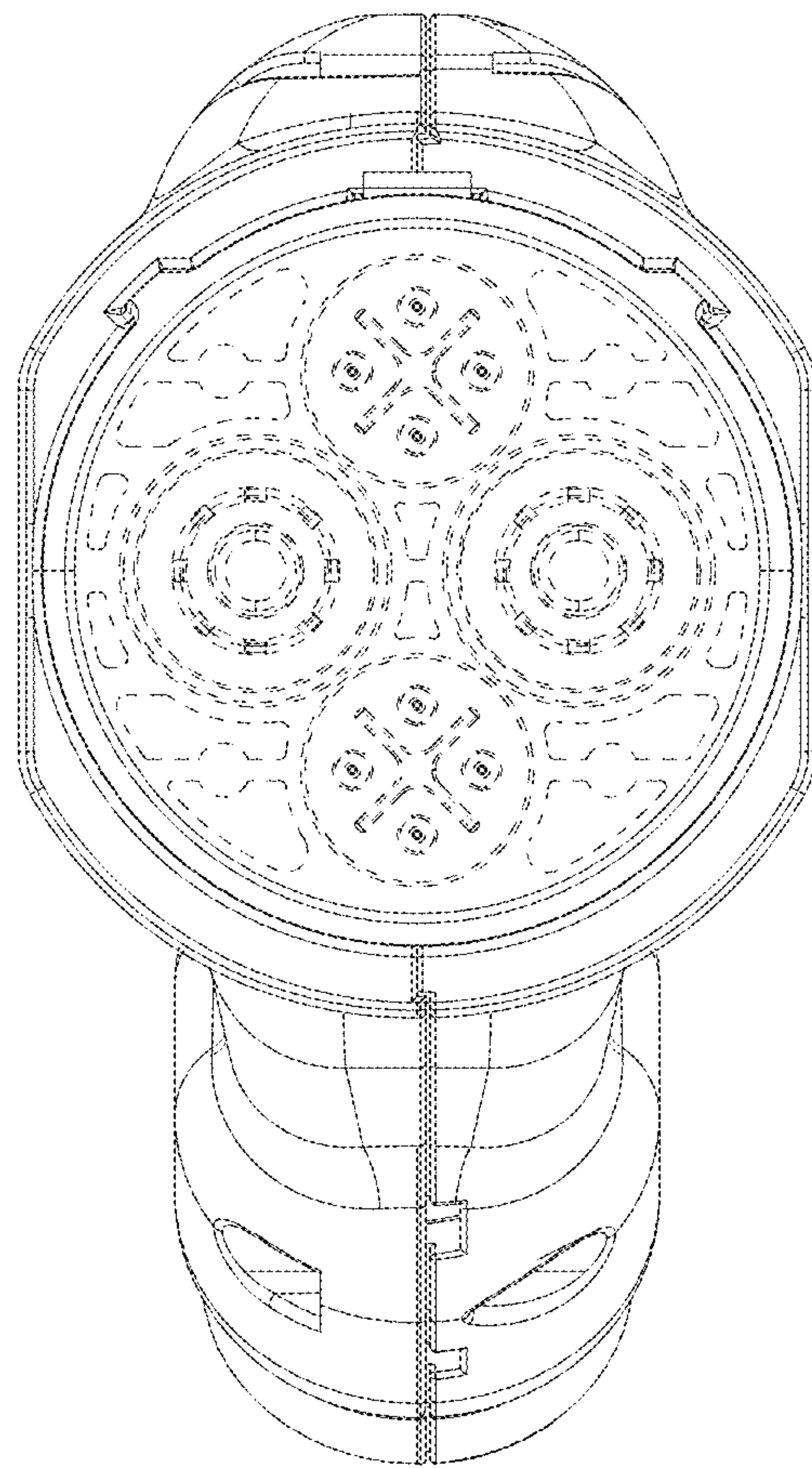


FIG. 1

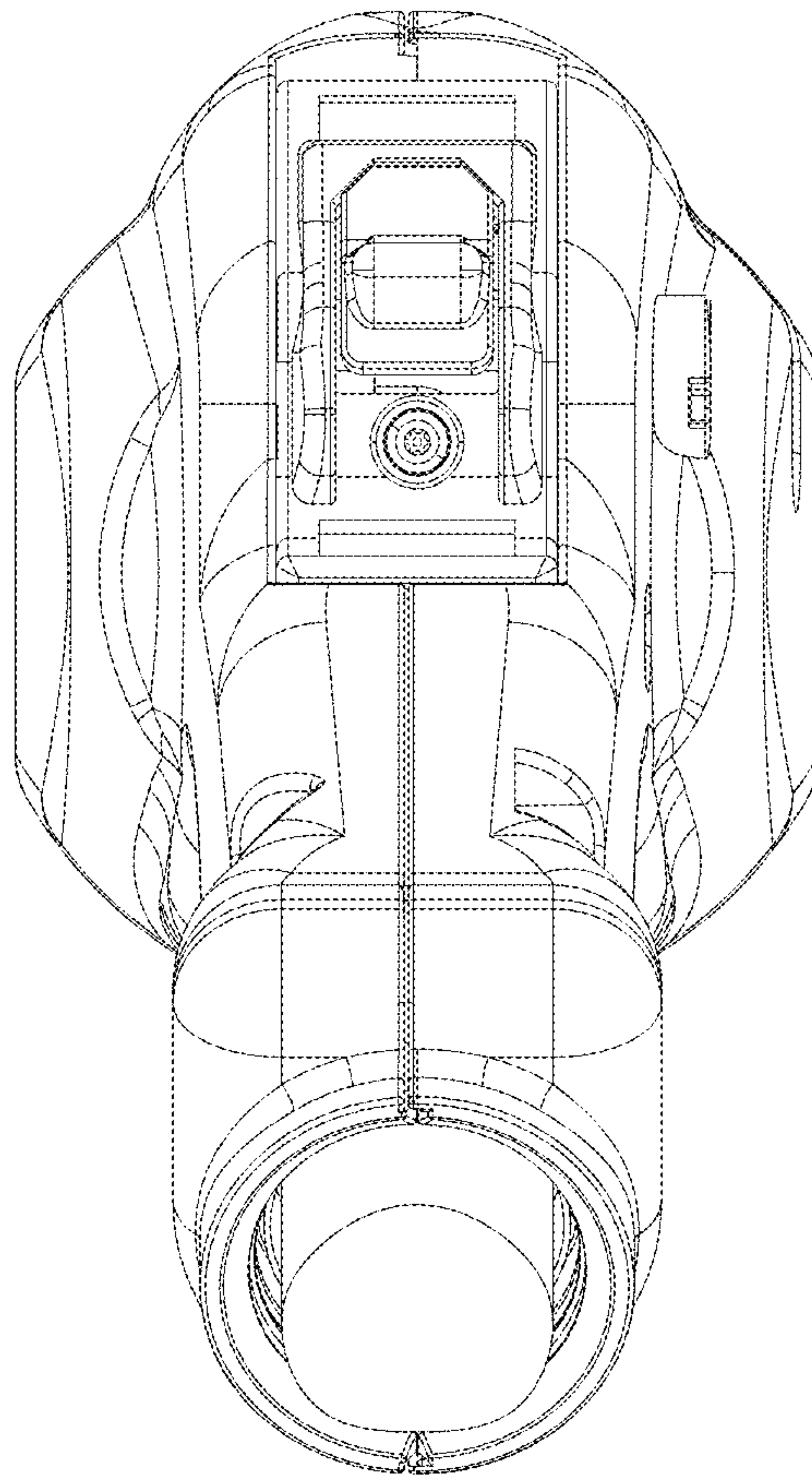


FIG. 2

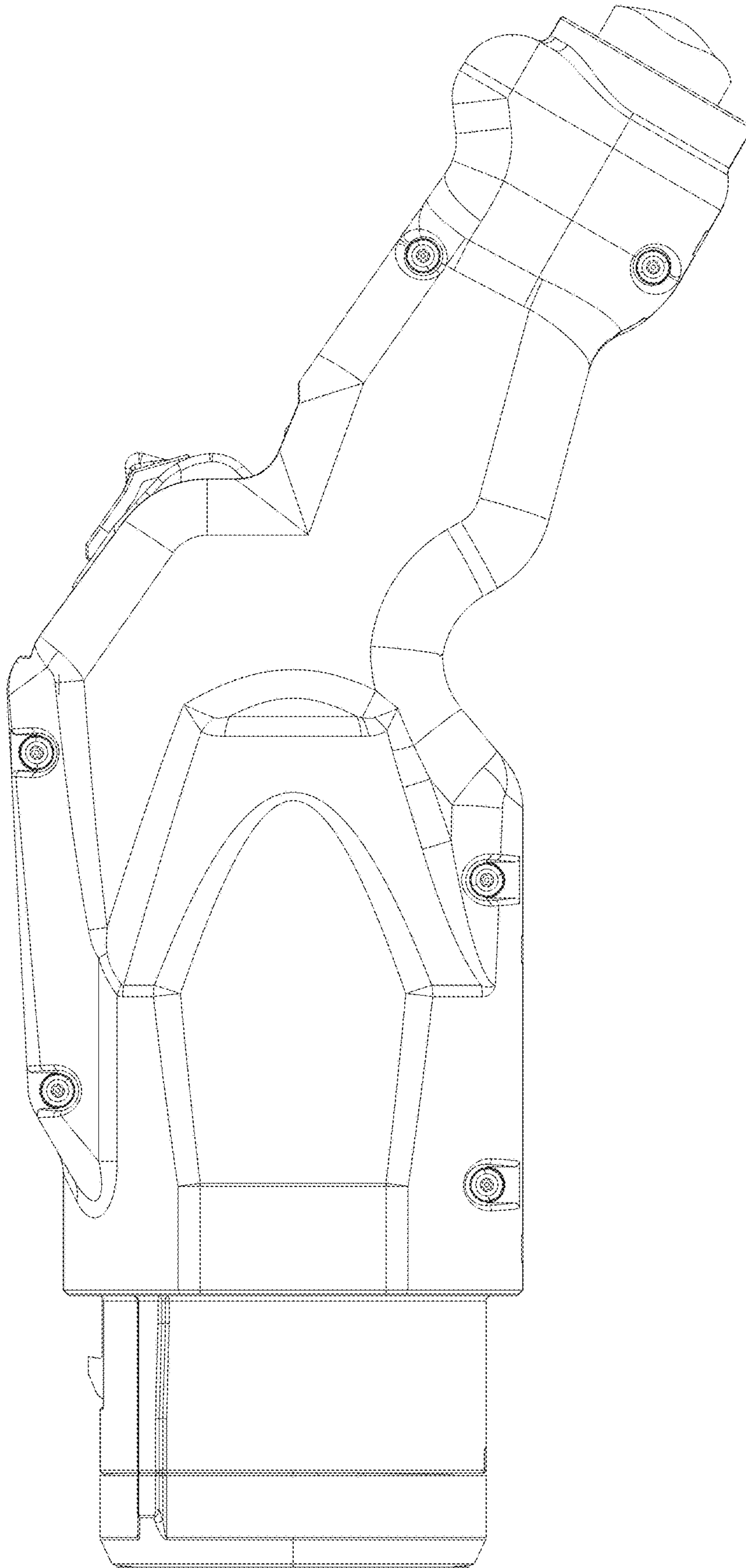


FIG. 3

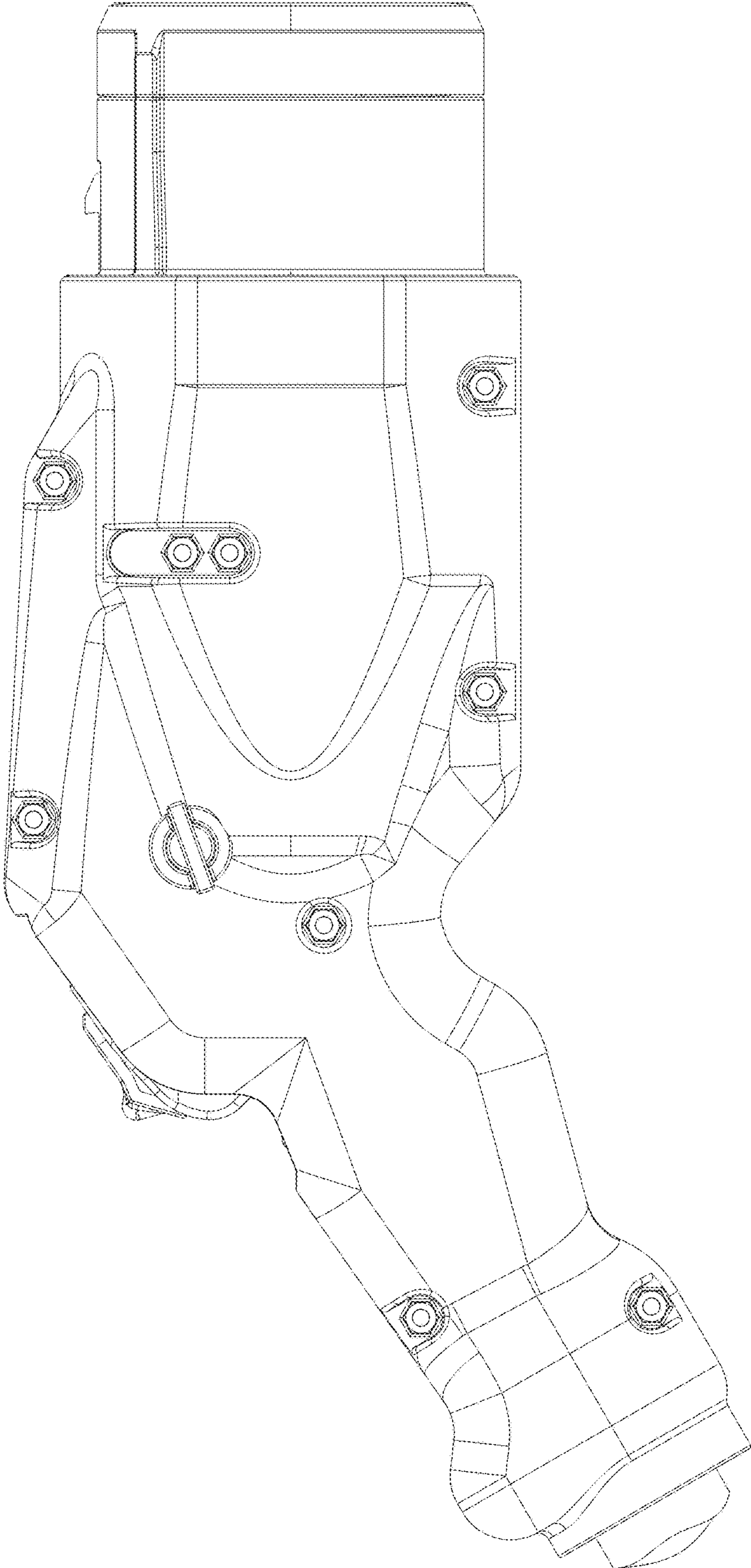


FIG. 4

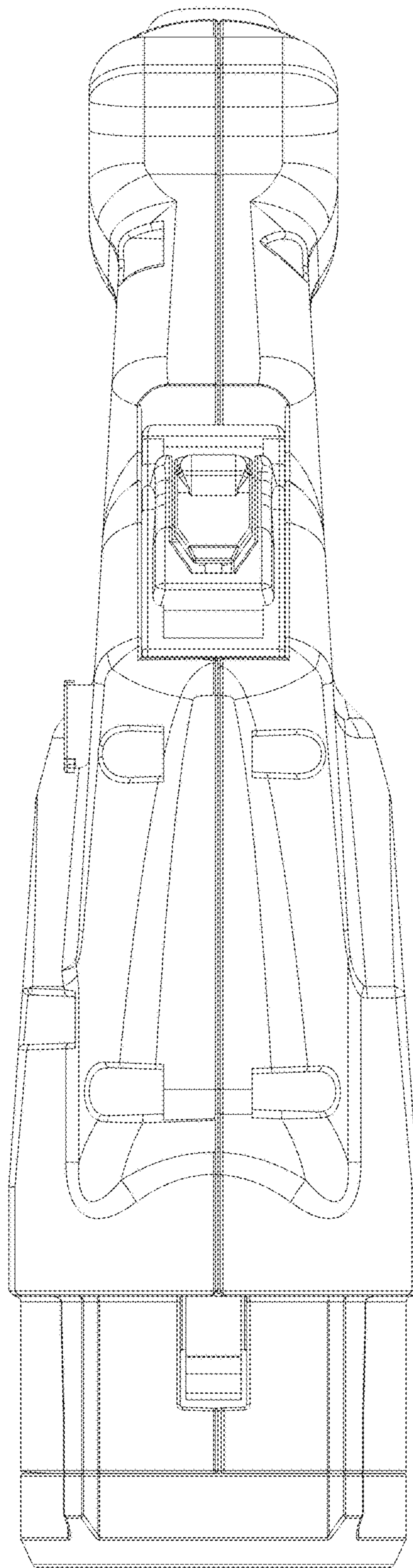


FIG. 5

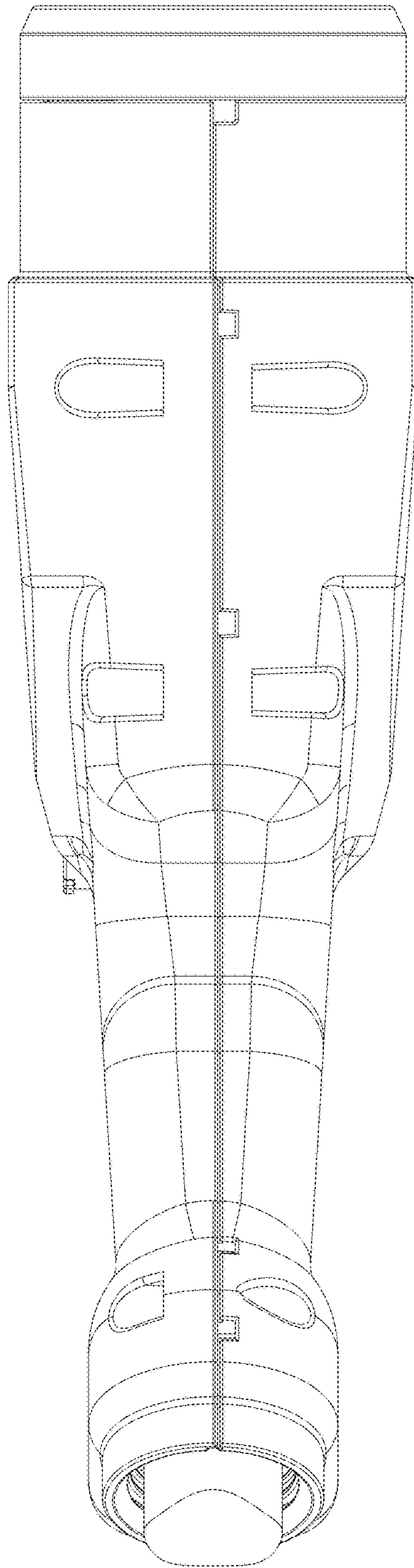


FIG. 6

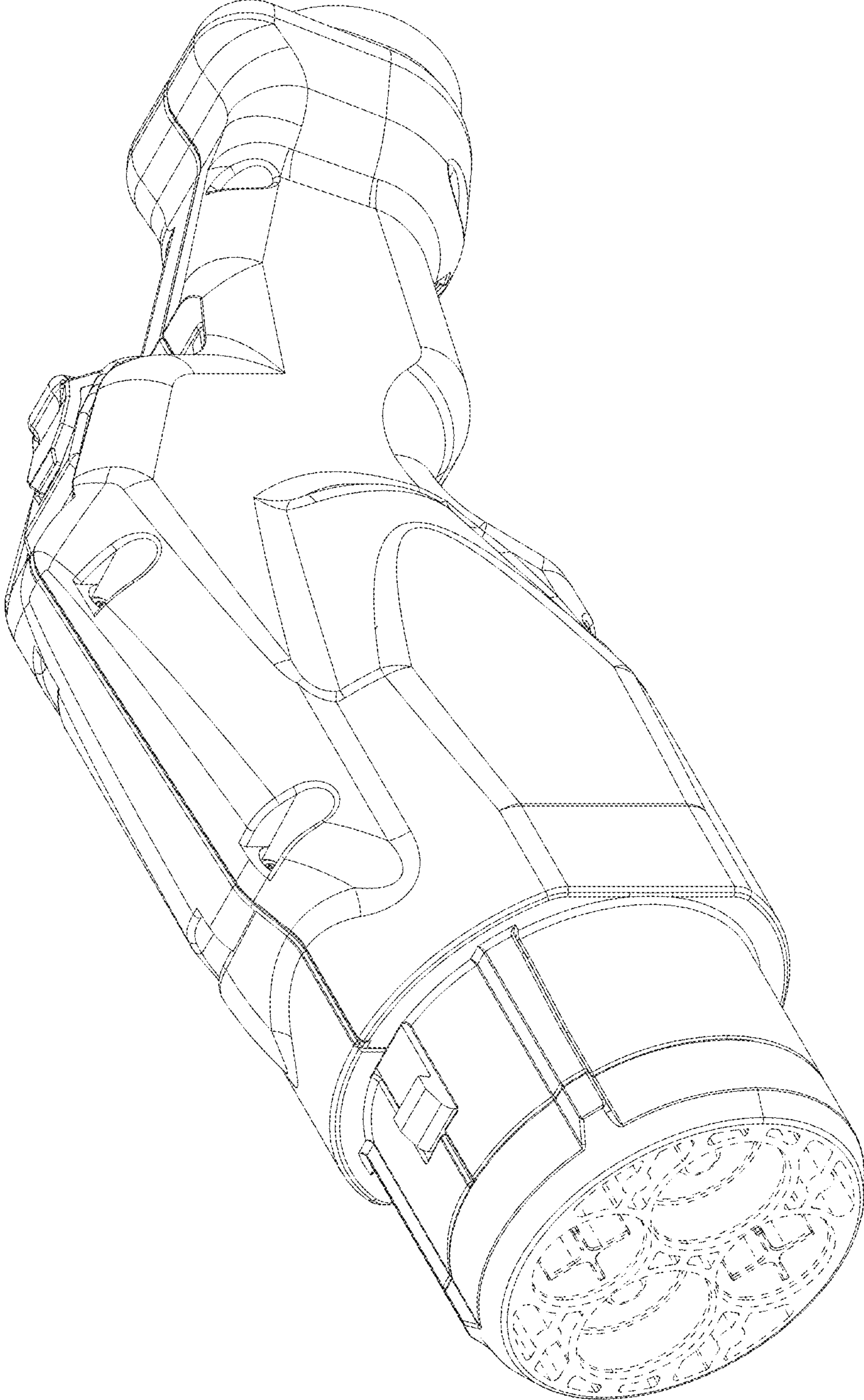


FIG. 7

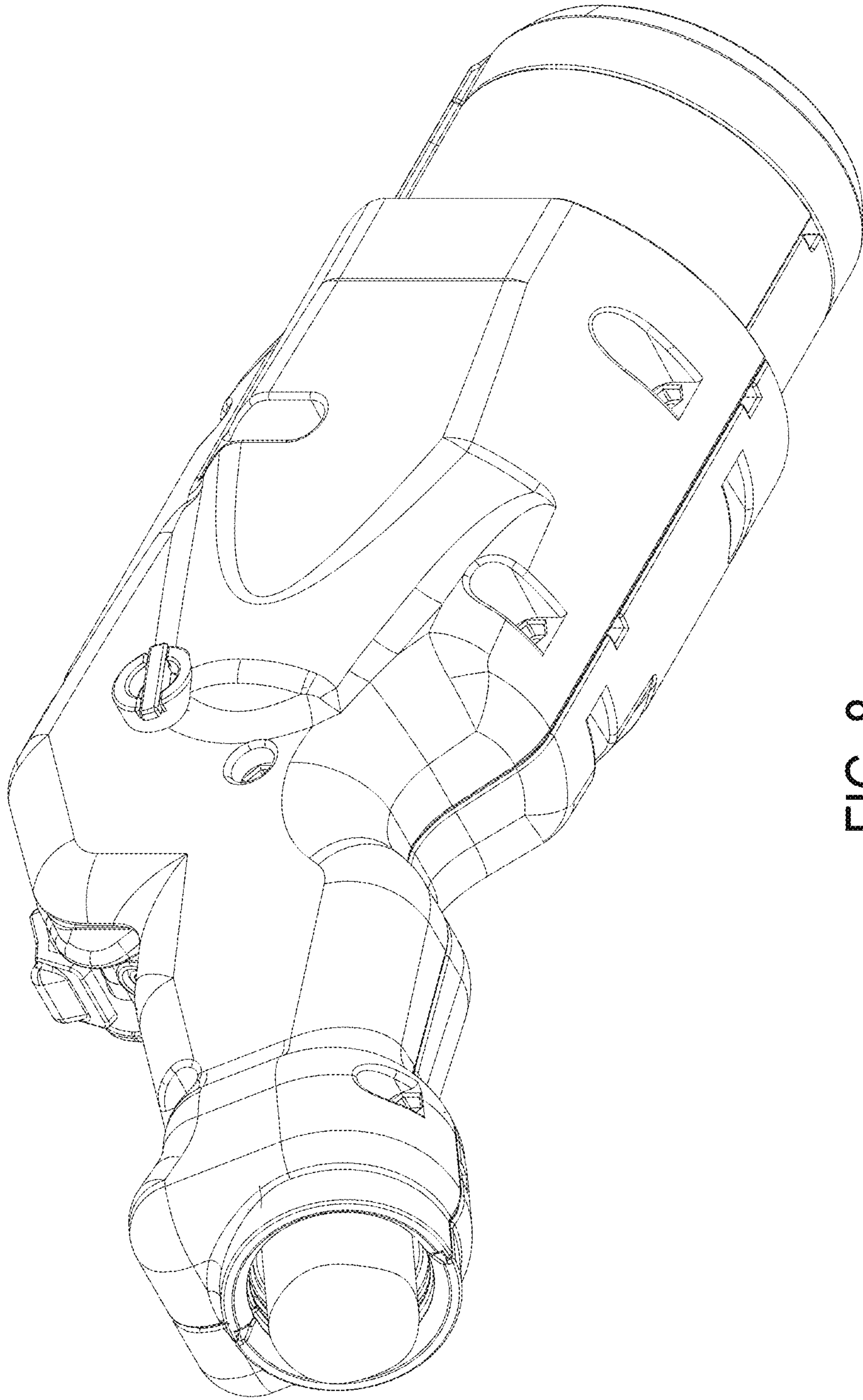


FIG. 8

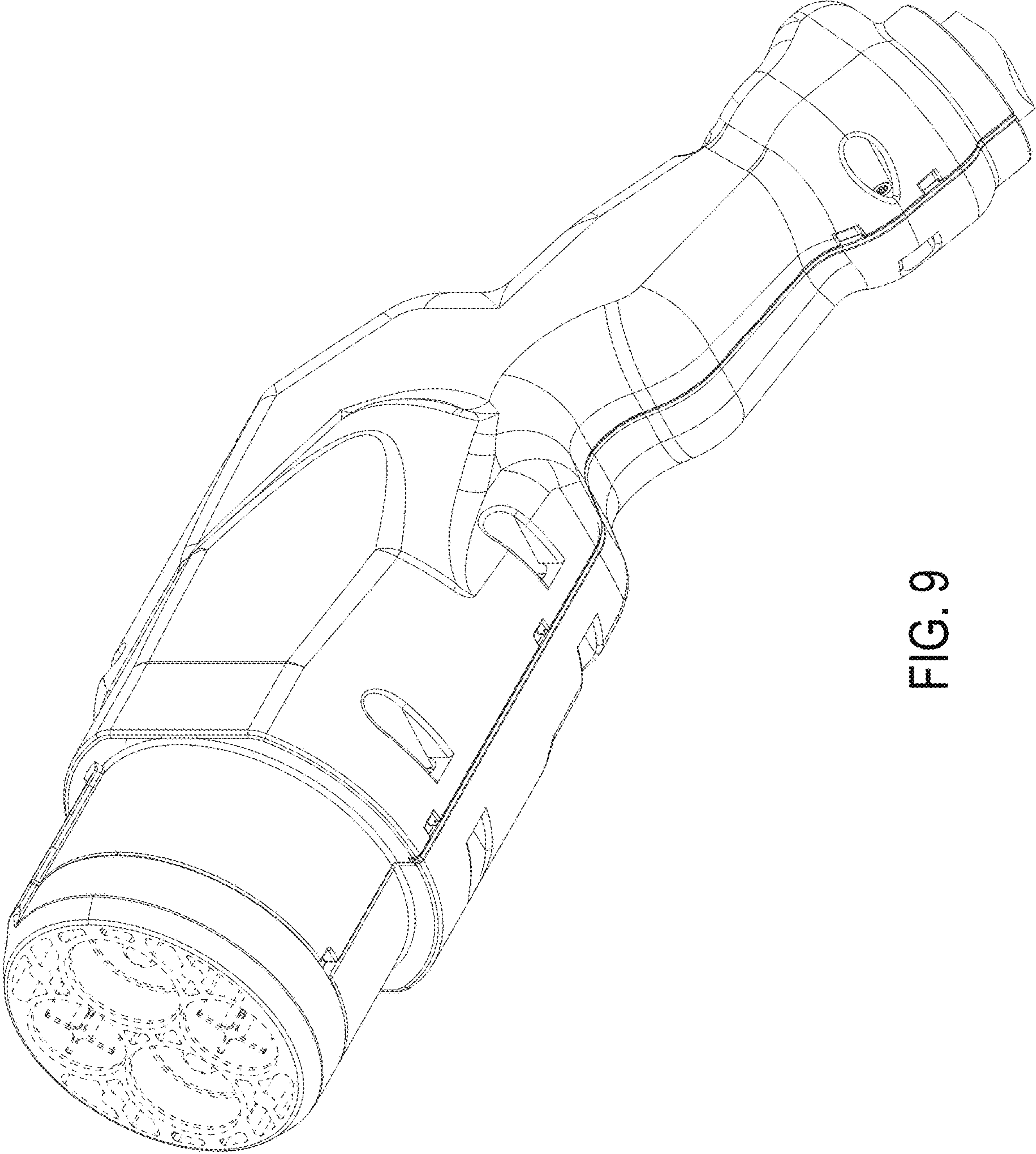


FIG. 9

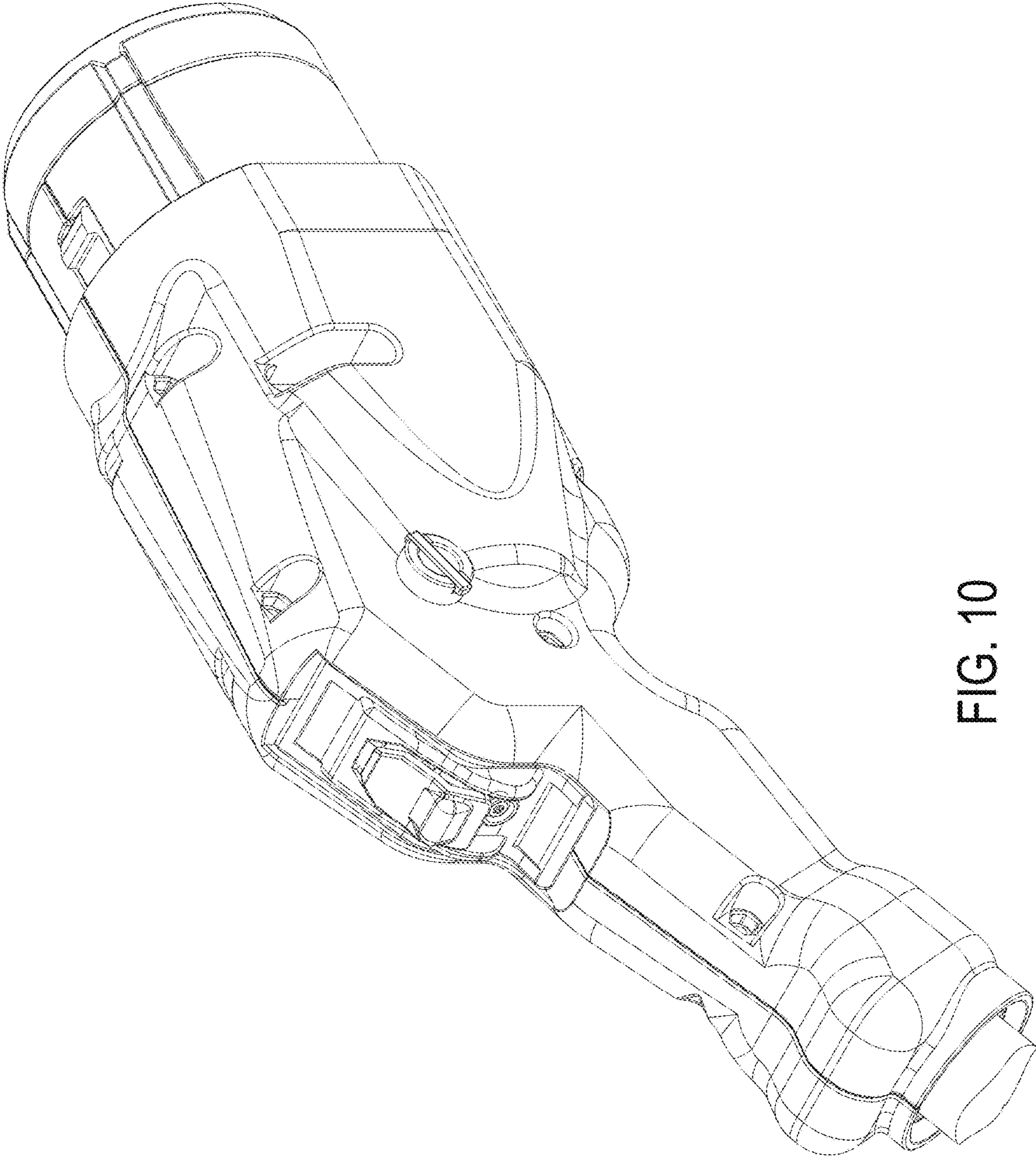


FIG. 10

UNITED STATES PATENT AND TRADEMARK OFFICE
CERTIFICATE OF CORRECTION

PATENT NO. : D786,196 S
APPLICATION NO. : 29/544380
DATED : May 9, 2017
INVENTOR(S) : Youhei Takagi et al.

Page 1 of 2

It is certified that error appears in the above-identified patent and that said Letters Patent is hereby corrected as shown below:

In the Drawings

Sheet 5 of 10 is replaced with attached sheet 5 of 10, consisting of Fig. 5.

Signed and Sealed this
Twenty-second Day of August, 2017



Joseph Matal
*Performing the Functions and Duties of the
Under Secretary of Commerce for Intellectual Property and
Director of the United States Patent and Trademark Office*

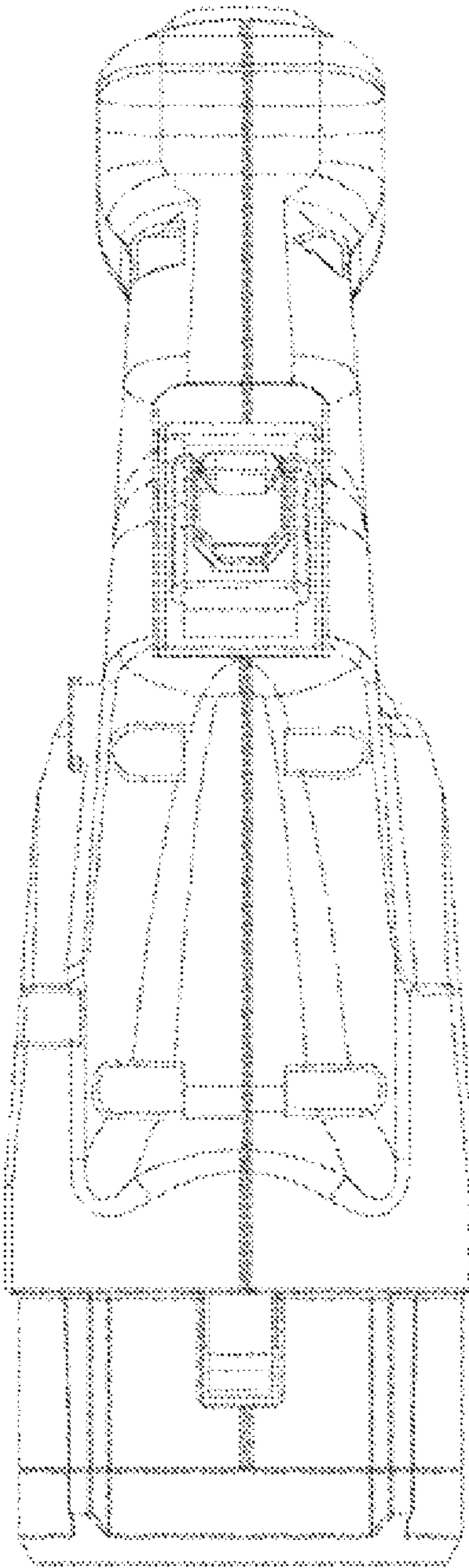


FIG. 5