



US00D786194S

(12) **United States Design Patent** (10) **Patent No.:** **US D786,194 S**
Blaesi (45) **Date of Patent:** **** *May 9, 2017**

(54) **ELECTRIC MOTOR**
(71) Applicant: **Lutz Pumpen GmbH, Wertheim (DE)**
(72) Inventor: **Rupert Blaesi, Burgrieden (DE)**
(73) Assignee: **Lutz Pumpen GmbH, Wertheim (DE)**
(*) Notice: This patent is subject to a terminal disclaimer.
(**) Term: **15 Years**
(21) Appl. No.: **29/535,538**
(22) Filed: **Aug. 7, 2015**

(30) **Foreign Application Priority Data**
Mar. 10, 2015 (EM) 002649723-0001
(51) **LOC (10) Cl.** **13-01**
(52) **U.S. Cl.**
USPC **D13/112**
(58) **Field of Classification Search**
USPC D13/112, 113, 114, 122, 184, 199;
D15/1, 5; 290/36 R, 38 R, 39; 310/10,
310/20, 40 R, 40 MM, 42, 68 D, 75 R,
310/80, 83, 88, 89, 98, 109, 114
CPC H02K 5/06; H02K 5/225; H02K 11/33;
H02K 9/06; H02K 9/12; H02K 9/14;
H02K 9/18; H02K 9/20; H02K 7/1025;
H02K 7/20918; H02K 3/24; H02K 3/47;
F02B 63/04; F28D 15/0266; F28D 15/02;
F28F 1/20
See application file for complete search history.

(56) **References Cited**
U.S. PATENT DOCUMENTS
4,244,098 A * 1/1981 Barcus F28F 1/20
165/183
D325,560 S * 4/1992 Baines D13/112

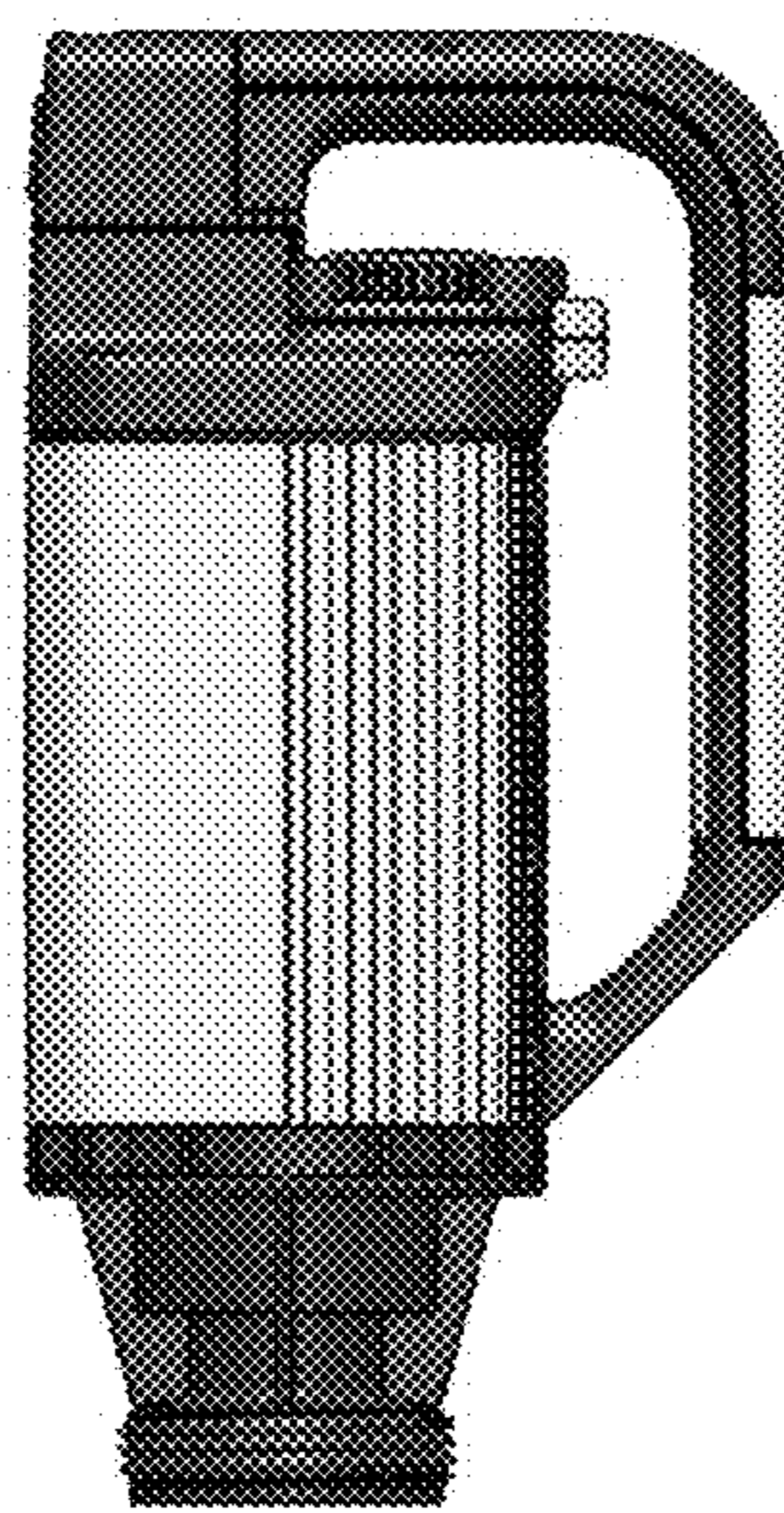
D336,890 S * 6/1993 Hirose D13/112
5,311,090 A * 5/1994 Ferlatte H02K 5/10
310/88
D511,138 S * 11/2005 Kwan D13/112
D579,869 S * 11/2008 Lau D13/112
D587,648 S * 3/2009 Lannoch D13/112
D625,257 S * 10/2010 Oshimori D13/112
D667,372 S * 9/2012 Lannoch D13/112
D680,072 S * 4/2013 Marshall D13/112
D682,784 S * 5/2013 Tomczak D13/114

* cited by examiner
Primary Examiner — Derrick Holland
(74) *Attorney, Agent, or Firm* — Collard & Roe, P.C.

(57) **CLAIM**
The ornamental design for an electric motor, as shown and described.

DESCRIPTION
The patent or application file contains at least one drawing executed in color. Copies of this patent or patent application publication with color drawing(s) will be provided by the Office upon request and payment of the necessary fee.
FIG. 1 is a color front view of an electric motor, showing my new design;
FIG. 2 is a color left side view thereof;
FIG. 3 is a color right side view thereof;
FIG. 4 is a color rear view thereof;
FIG. 5 is a color top plan view thereof; and,
FIG. 6 is a color bottom plan view thereof.
The name "LUTZ" forming part of the claimed design is a registered trademark of LUTZ-PUMPEN GmbH, a company of the Federal Republic of Germany.

1 Claim, 5 Drawing Sheets
(5 of 5 Drawing Sheet(s) Filed in Color)



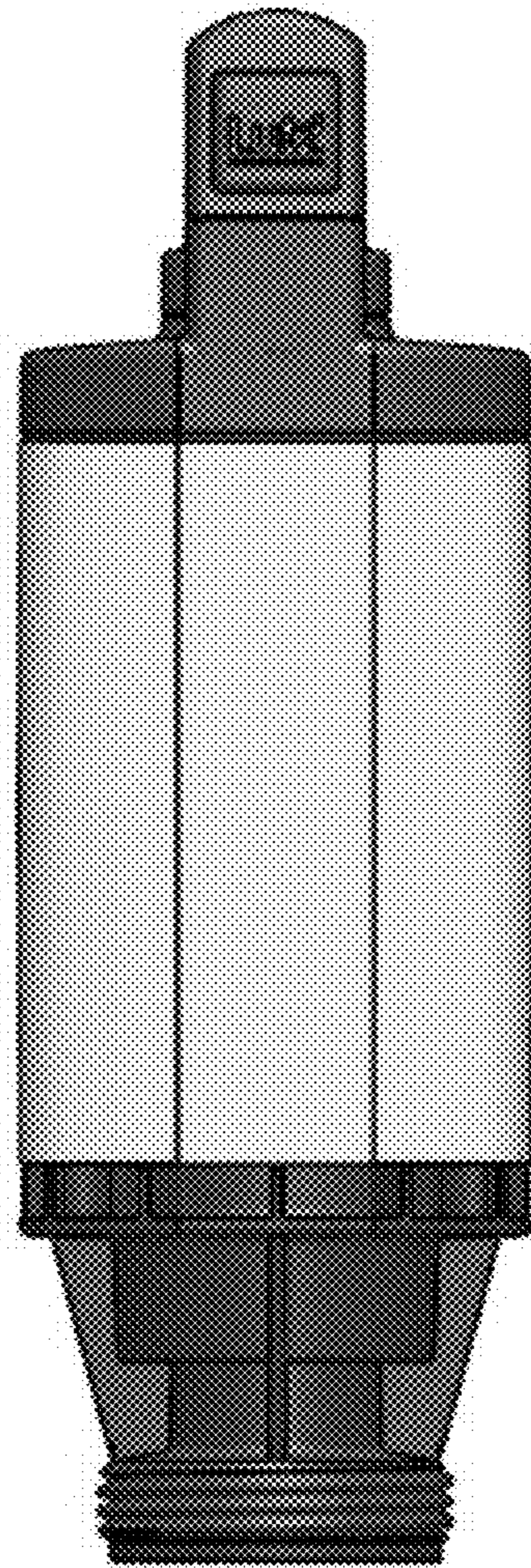


FIG. 1

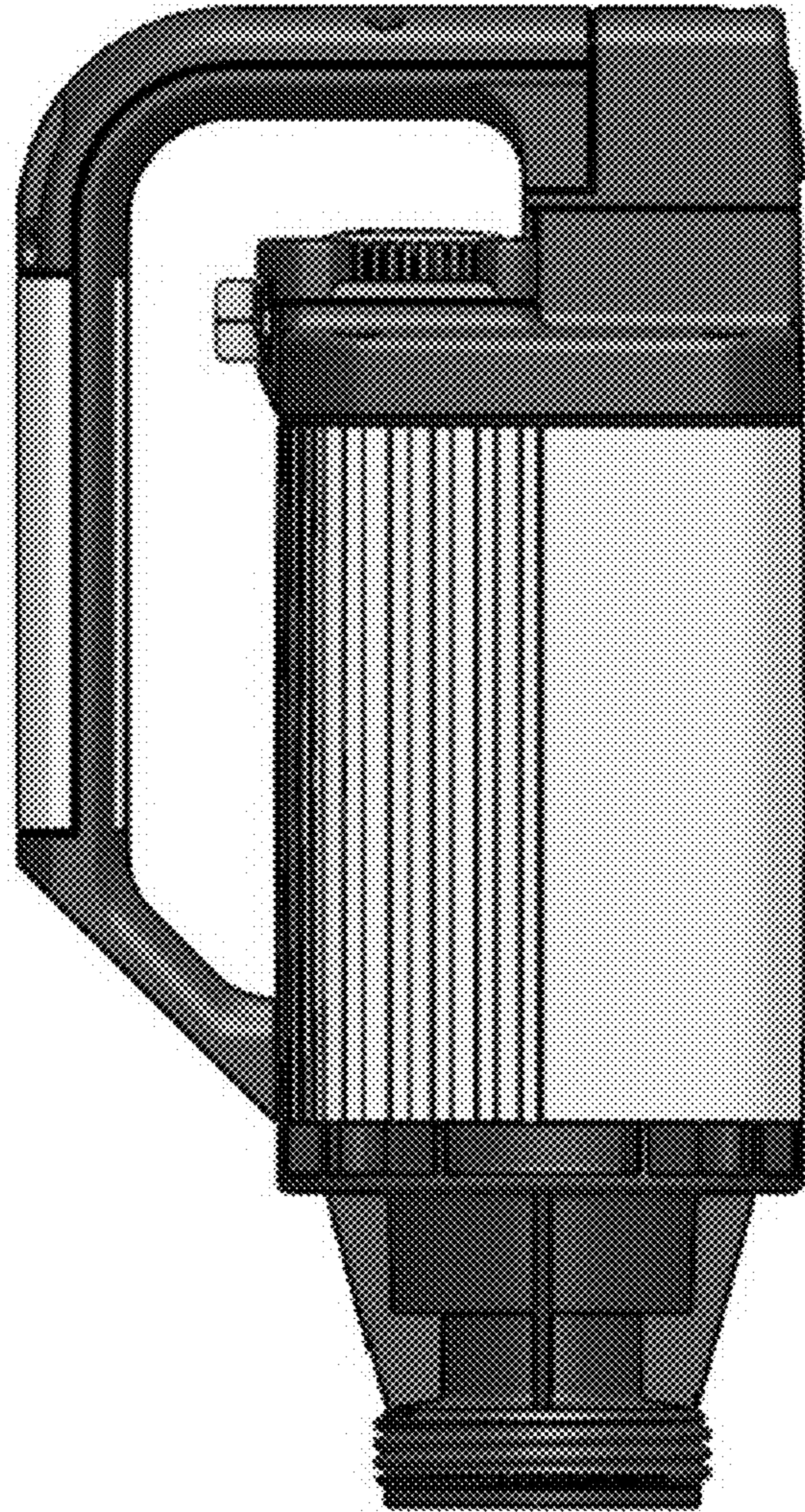


FIG. 2

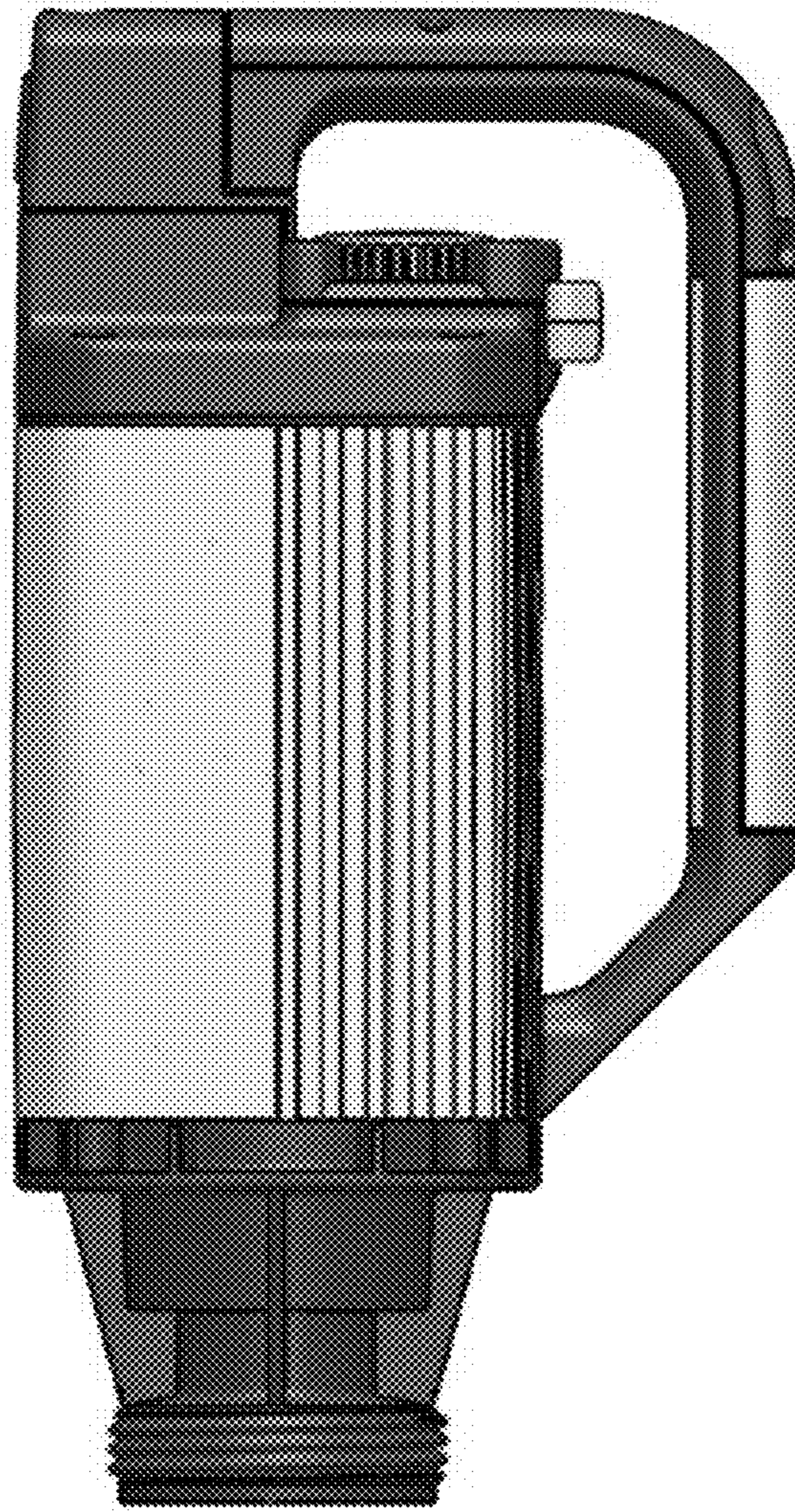


FIG. 3

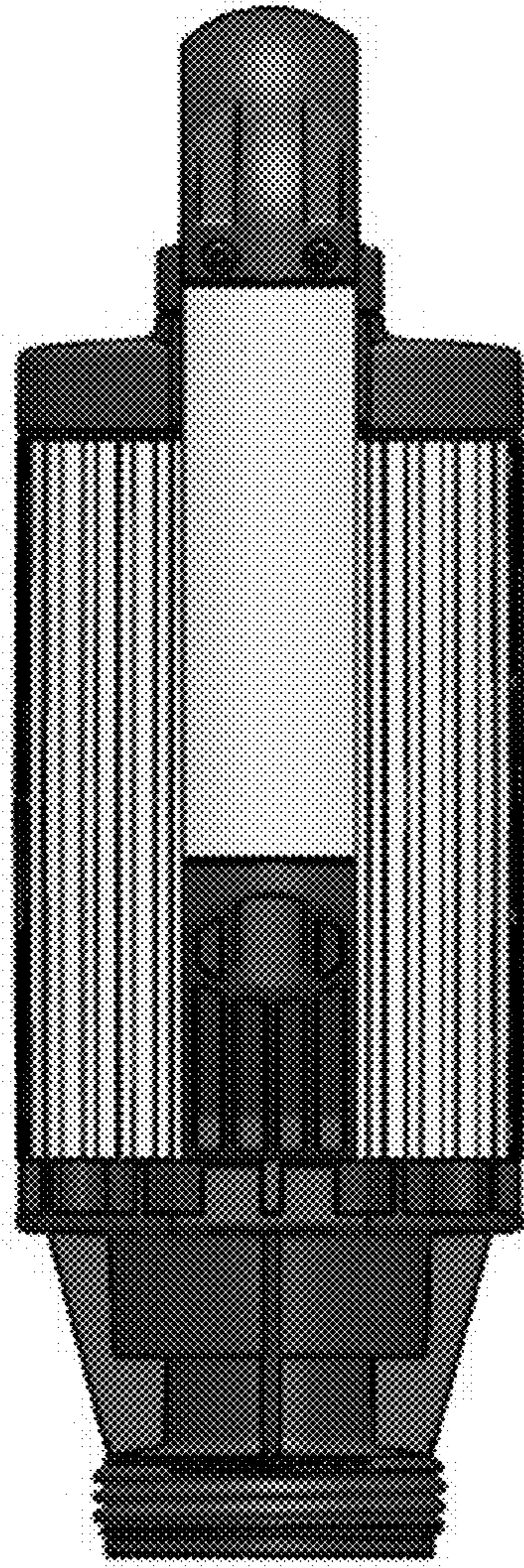


FIG. 4

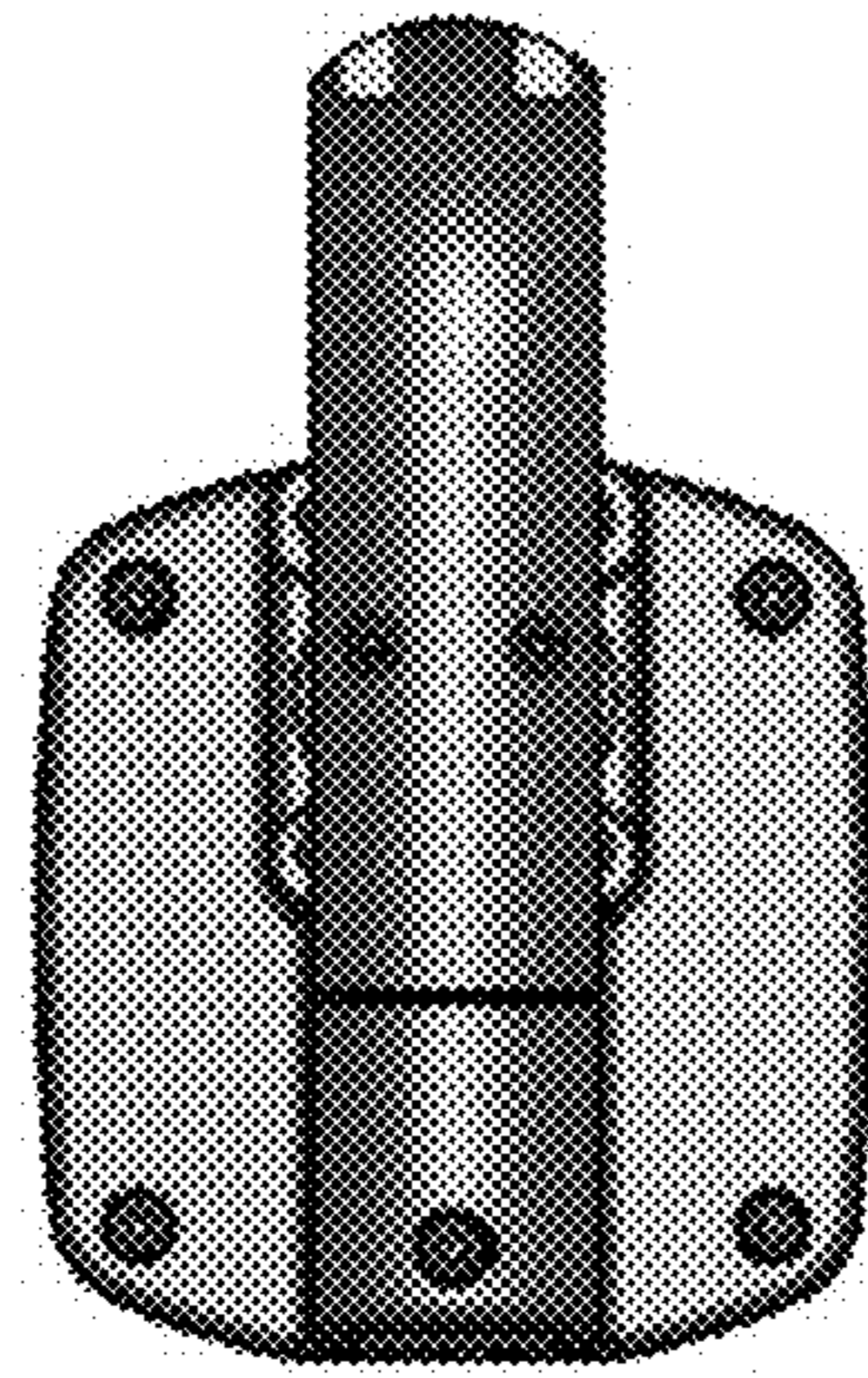


FIG. 5

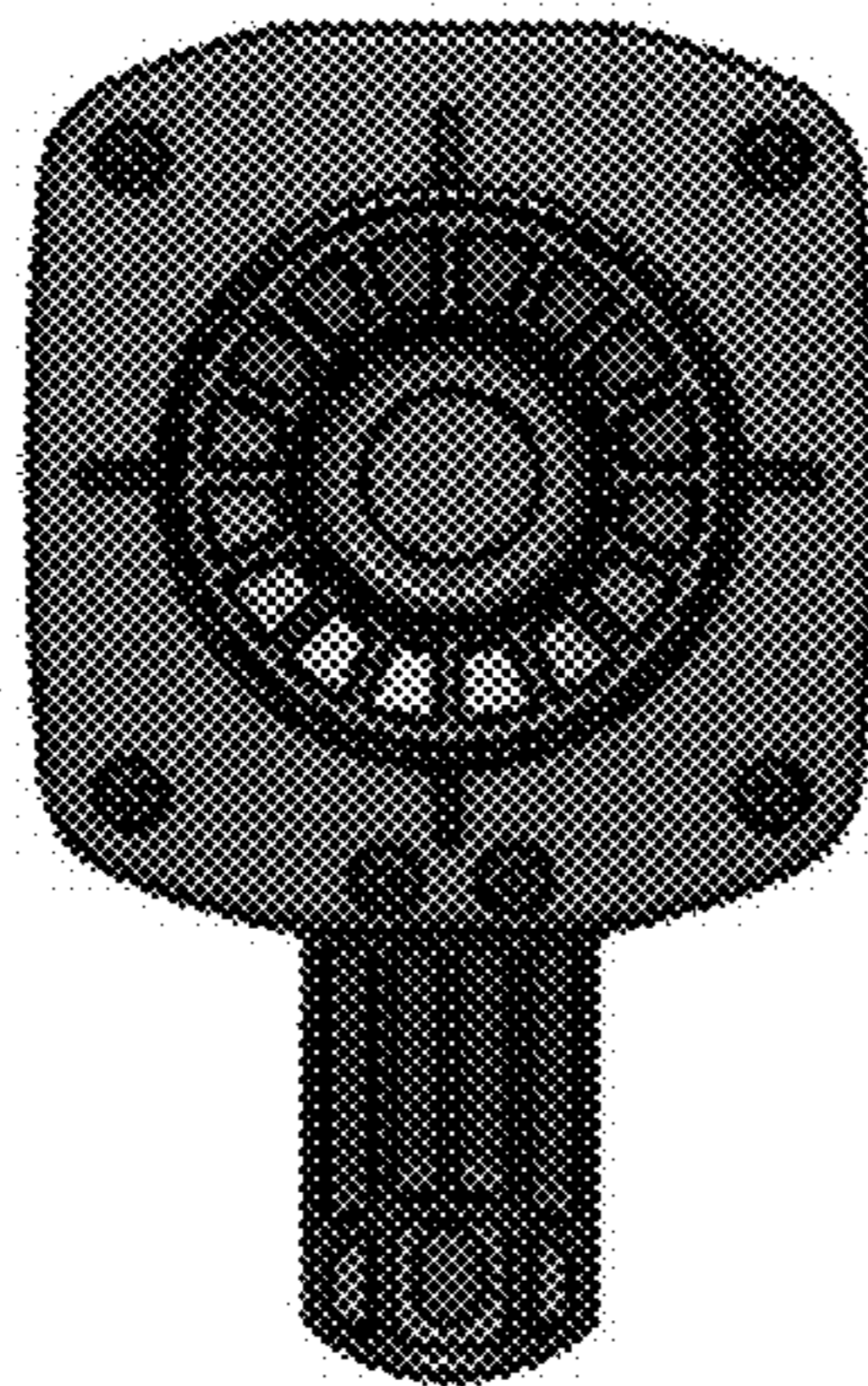


FIG. 6