



US00D786193S

(12) **United States Design Patent** (10) **Patent No.:** **US D786,193 S**
Akana et al. (45) **Date of Patent:** **** May 9, 2017**

(54) **CHARGER**

(71) Applicant: **Apple Inc.**, Cupertino, CA (US)

(72) Inventors: **Jody Akana**, San Francisco, CA (US); **Bartley K. Andre**, Palo Alto, CA (US); **Shota Aoyagi**, San Francisco, CA (US); **Anthony Michael Ashcroft**, San Francisco, CA (US); **Jeremy Bataillou**, San Francisco, CA (US); **Daniel J. Coster**, San Francisco, CA (US); **Daniele De Iuliis**, San Francisco, CA (US); **M. Evans Hankey**, San Francisco, CA (US); **Julian Hoenig**, San Francisco, CA (US); **Richard P. Howarth**, San Francisco, CA (US); **Jonathan P. Ive**, San Francisco, CA (US); **Duncan Robert Kerr**, San Francisco, CA (US); **Marc A. Newson**, London (GB); **Matthew Dean Rohrbach**, San Francisco, CA (US); **Peter Russell-Clarke**, San Francisco, CA (US); **Benjamin Andrew Shaffer**, San Jose, CA (US); **Mikael Silvano**, San Francisco, CA (US); **Christopher J. Stringer**, Woodside, CA (US); **Eugene Antony Whang**, San Francisco, CA (US); **Rico Zörkendörfer**, San Francisco, CA (US)

(73) Assignee: **Apple Inc.**, Cupertino, CA (US)

(**) Term: **15 Years**

(21) Appl. No.: **29/534,038**

(22) Filed: **Jul. 24, 2015**

Related U.S. Application Data

(63) Continuation of application No. 29/498,998, filed on Aug. 11, 2014, now Pat. No. Des. 735,131.

(51) **LOC (10) Cl.** **13-02**

(52) **U.S. Cl.**
USPC **D13/108**

(58) **Field of Classification Search**

USPC D13/107-110, 118-119, 184, 199;
D14/251, 253, 432, 434

(Continued)

(56) **References Cited**

U.S. PATENT DOCUMENTS

D221,081 S * 7/1971 Kahn D13/110
D461,813 S * 8/2002 Chang D13/174

(Continued)

FOREIGN PATENT DOCUMENTS

JP D1295233 S 2/2007
JP D1436446 S 3/2012
JP D1436448 3/2012

OTHER PUBLICATIONS

T200 USB Powered Qi Inductive Wireless Charger. FastTech.
<<https://www.fasttech.com/product/1534603-t200-usb-powered-qi-inductive-wireless-charger>> Nov. 21, 2013.

(Continued)

Primary Examiner — Rosemary K Tarcza

(74) *Attorney, Agent, or Firm* — Sterne, Kessler, Goldstein & Fox P.L.L.C.

(57) **CLAIM**

The ornamental design for a charger, as shown and described.

DESCRIPTION

FIG. 1 is a bottom front perspective view of a charger showing our new design;
FIG. 2 is a bottom rear perspective view thereof;
FIG. 3 is a front view thereof;
FIG. 4 is a rear view thereof;
FIG. 5 is a left side view thereof;
FIG. 6 is a right side view thereof;
FIG. 7 is a top view thereof;
FIG. 8 is a bottom view thereof;

(Continued)

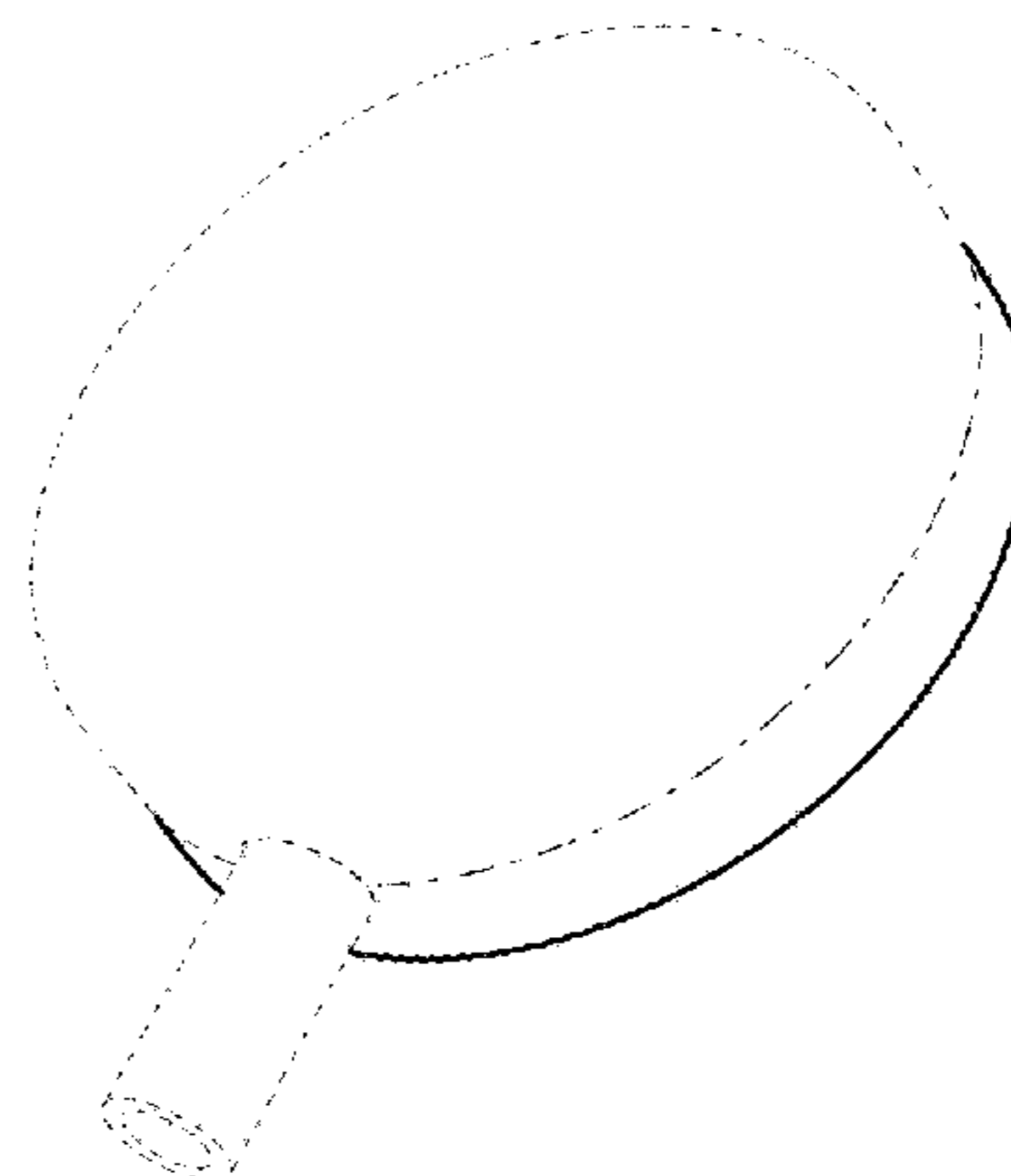
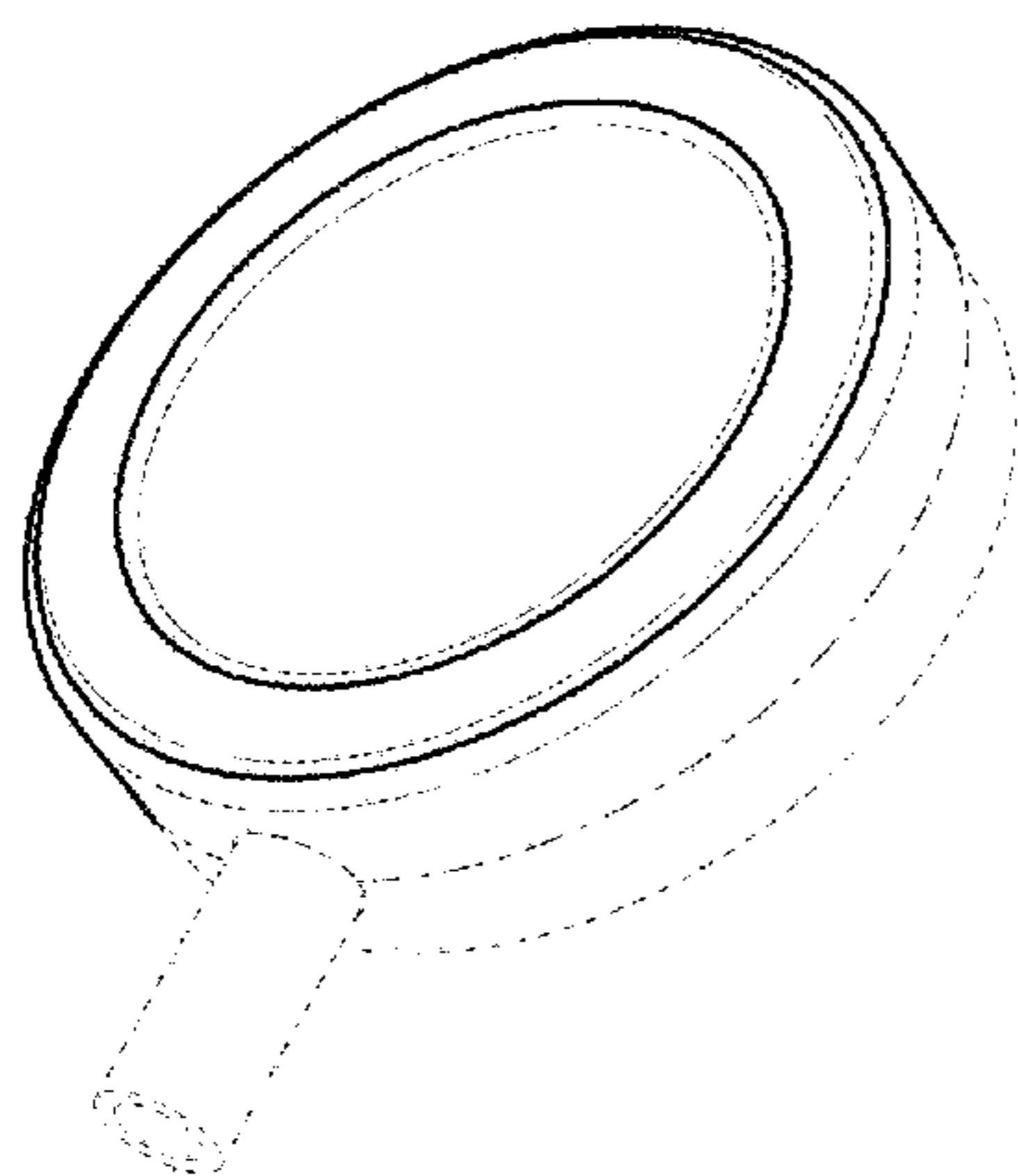


FIG. 9 is a perspective view thereof showing the charger in an environment in which it may be used;
 FIG. 10 is a perspective view thereof showing the charger in another environment in which it may be used; and,
 FIG. 11 is a perspective view thereof showing the charger in another environment in which it may be used.
 The broken lines in the figures show portions of the charger and environment that form no part of the claimed design.
 The dot-dash lines in the figures show boundaries that form no part of the claimed design.
 The shade lines in the figures show contour and not surface ornamentation.

1 Claim, 5 Drawing Sheets

(58) **Field of Classification Search**

CPC Y02E 60/12; Y02T 90/14; Y02T 90/122;
 Y02T 90/128; Y02T 90/163; H02J 7/025;
 H02J 7/0042; H02J 7/0044; H02J 7/0045;
 H02J 7/0003; H01F 38/14; H01R
 13/6675; H01M 2/1022; H01M 2/1055;
 H01M 10/44; H01M 10/46; H01M
 10/425; B60L 11/182

See application file for complete search history.

(56) **References Cited**

U.S. PATENT DOCUMENTS

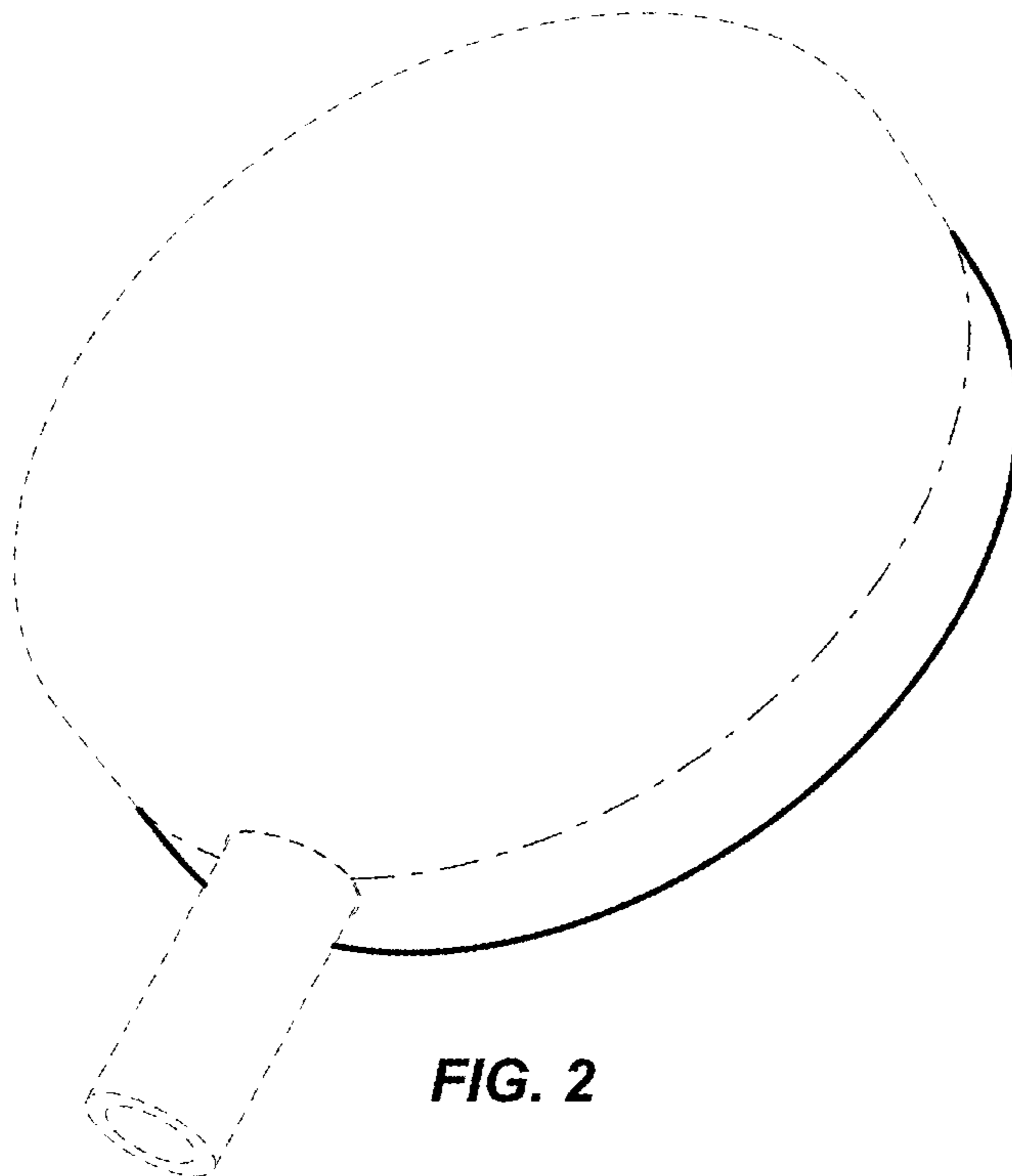
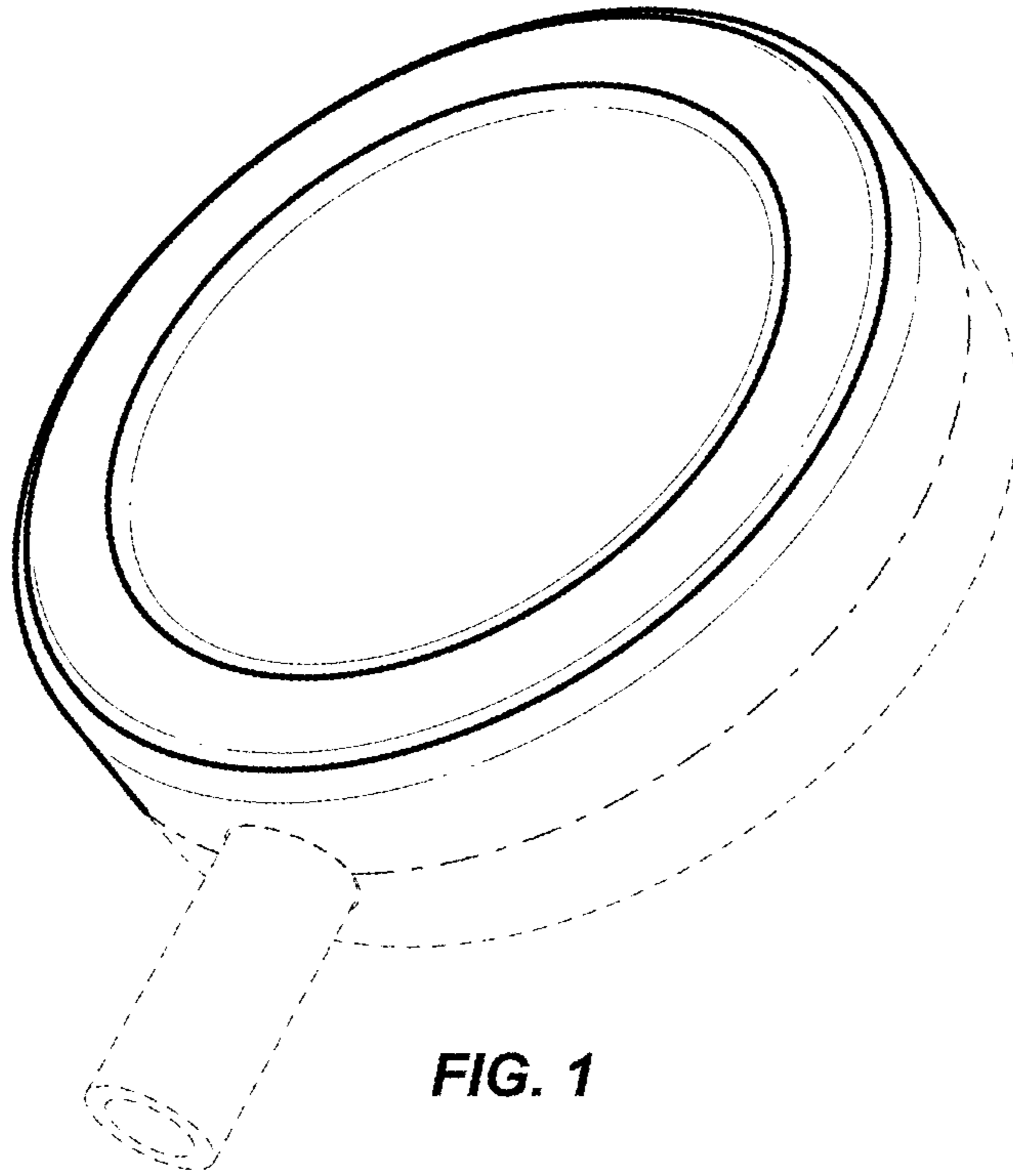
D508,458	S	*	8/2005	Solland	D13/108
D516,025	S	*	2/2006	Quinn	D13/108
D521,927	S	*	5/2006	Franck	D13/108
D526,973	S	*	8/2006	Gates	D13/168
D527,704	S	*	9/2006	Rodarte	D13/108
D530,717	S	*	10/2006	Mori	D14/434
D585,898	S	*	2/2009	Skurdal	D14/434
D599,241	S		9/2009	Andre et al.		
D602,858	S	*	10/2009	Ellis	D13/108
D620,884	S	*	8/2010	Lee	D13/108
D625,262	S	*	10/2010	Lee	D13/118
D627,718	S	*	11/2010	Houghton	D13/108
D640,976	S		7/2011	Matsuoka		
D643,844	S		8/2011	Akana et al.		
D654,431	S	*	2/2012	Stephanchick	D13/108
D659,093	S	*	5/2012	Schmid	D13/108

D662,939	S		7/2012	Akana et al.		
D673,110	S		12/2012	Sasada et al.		
D680,541	S	*	4/2013	Lee	D14/217
D687,772	S		8/2013	Chikos et al.		
D694,182	S	*	11/2013	Lee	D13/108
D697,027	S	*	1/2014	Ho	D13/108
D697,475	S	*	1/2014	Regole	D13/108
D700,571	S	*	3/2014	Guccione	D13/108
D701,831	S	*	4/2014	Park	D13/108
D704,634	S	*	5/2014	Eidelman	D13/108
D706,212	S	*	6/2014	Zwierstra	D13/107
D717,244	S	*	11/2014	Reishus	D13/108
D718,233	S	*	11/2014	Aumiller	D13/108
D718,234	S	*	11/2014	Rautiainen	D13/108
D718,236	S	*	11/2014	Murray	D13/108
D718,712	S	*	12/2014	Aumiller	D13/108
D720,289	S	*	12/2014	Chiang	D13/108
D722,959	S	*	2/2015	Bulgarov	D13/108
D722,962	S	*	2/2015	Kim	D13/108
D725,034	S	*	3/2015	Chen	D13/108
D727,260	S	*	4/2015	Aumiller	D13/108
2009/0102419	A1	*	4/2009	Gwon	H01F 27/2871 320/108
2012/0104999	A1	*	5/2012	Teggatz	H01F 38/14 320/108
2014/0117926	A1	*	5/2014	Hwu	H02J 7/025 320/108
2015/0091500	A1	*	4/2015	Claudepierre	H02J 5/005 320/108

OTHER PUBLICATIONS

Gmyle(R) Qi Wireless Charger Review (Nexus 5). <https://www.youtube.com/watch?v=EvJ4Jkvj_R8> Nov. 28, 2013.
 iQi Adapter Proves Wireless Charging Isn't Ready for the Mainstream [Review]. CultofMac.com. <<http://www.cultofmac.com/269485/iqi-adapter-proves-wireless-charging-isnt-ready-mainstream-review/>> Mar. 11, 2014.
 LG G3 Wireless Charging. <https://www.youtube.com/watch?v=VGImIN_wRBs> Jul. 7, 2014.
 Spider Charger. Yon Woo System Catalogue. Feb. 26, 2012. Distributed at the 22nd Seoul International Sourcing Fair "Premium, Gifts & Homeware".
 Hand Phone Charger. HN Tech Catalogue. Apr. 13, 2007. Distributed at Dong-A Furniture/Lifestyle Fair.
 Palm Touchstone Charging Dock for Palm Pre. Hewlett-Packard Development Company, L.P. <http://www.amazon.com/gp/product/B002CMEIWK?gwSec=1&redirect=true&ref_=s9_simh_gw_p422_d0_i1> Apr. 27, 2011.

* cited by examiner



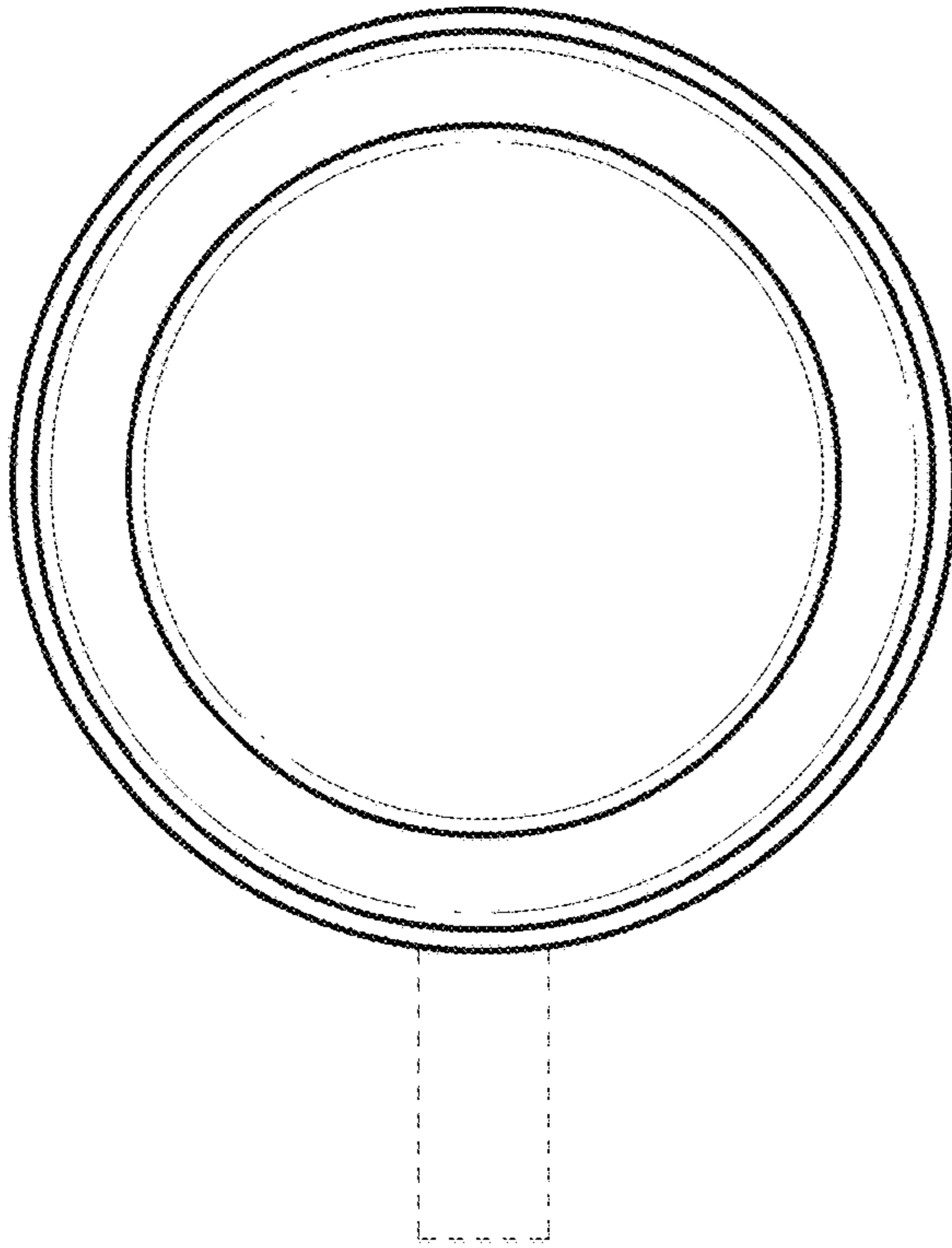


Fig. 3

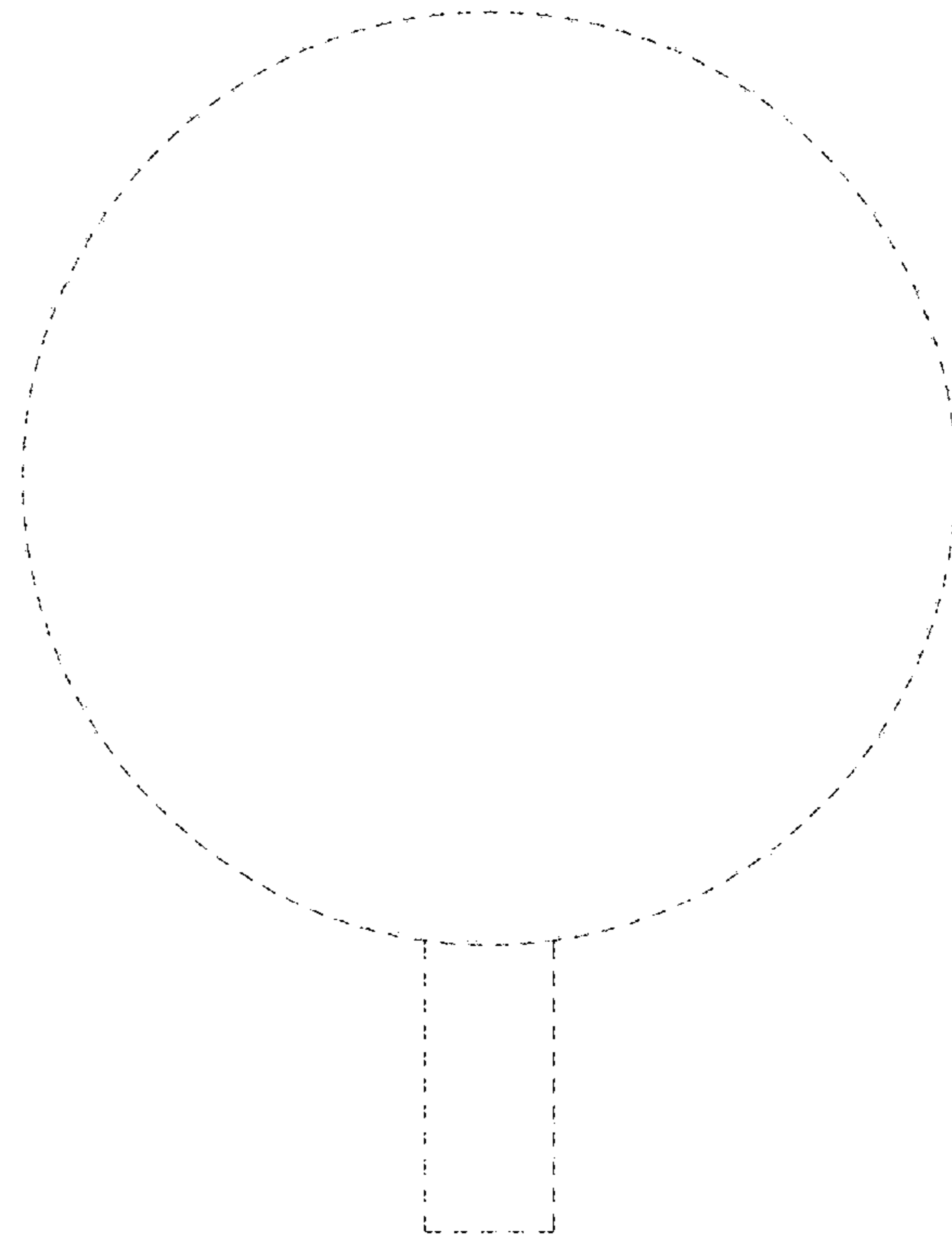


FIG. 4

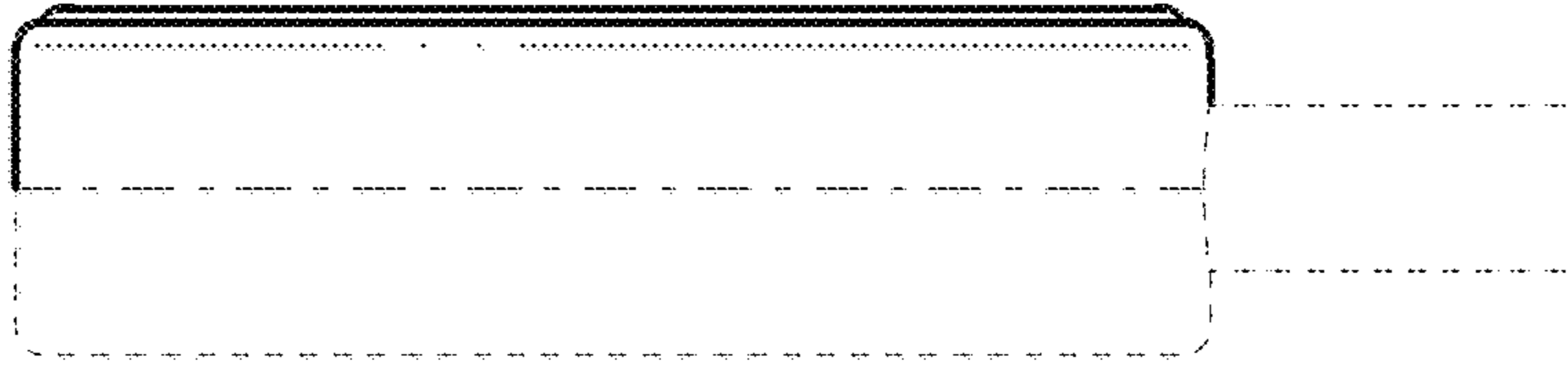


FIG. 5

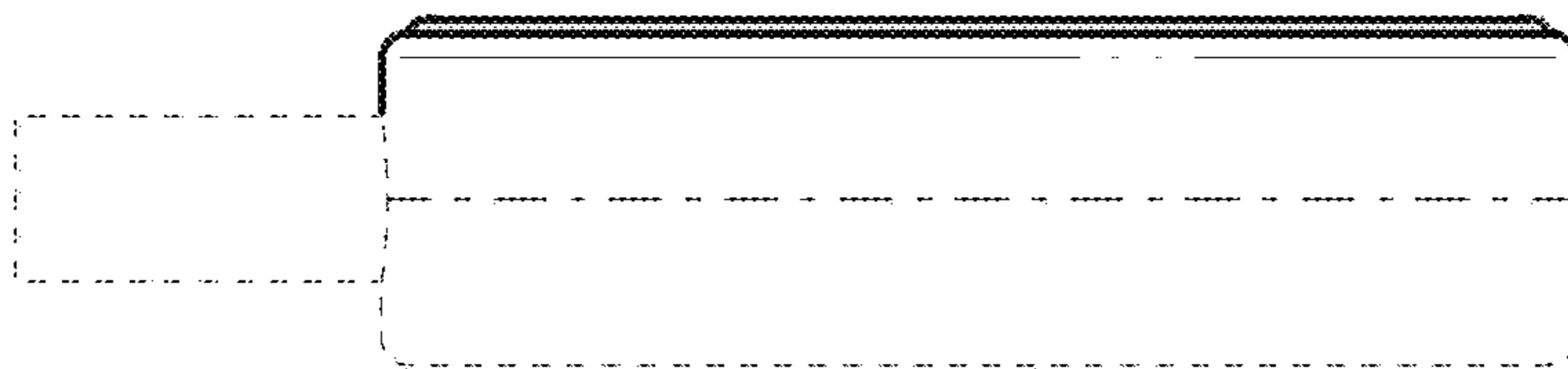


FIG. 6

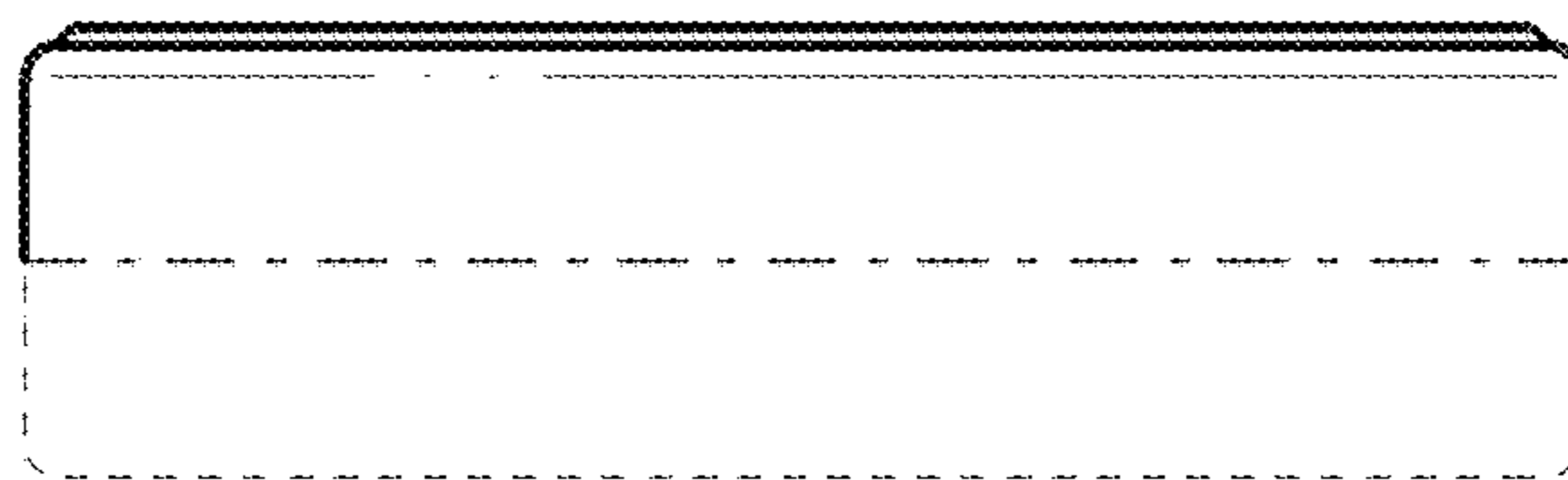


FIG. 7

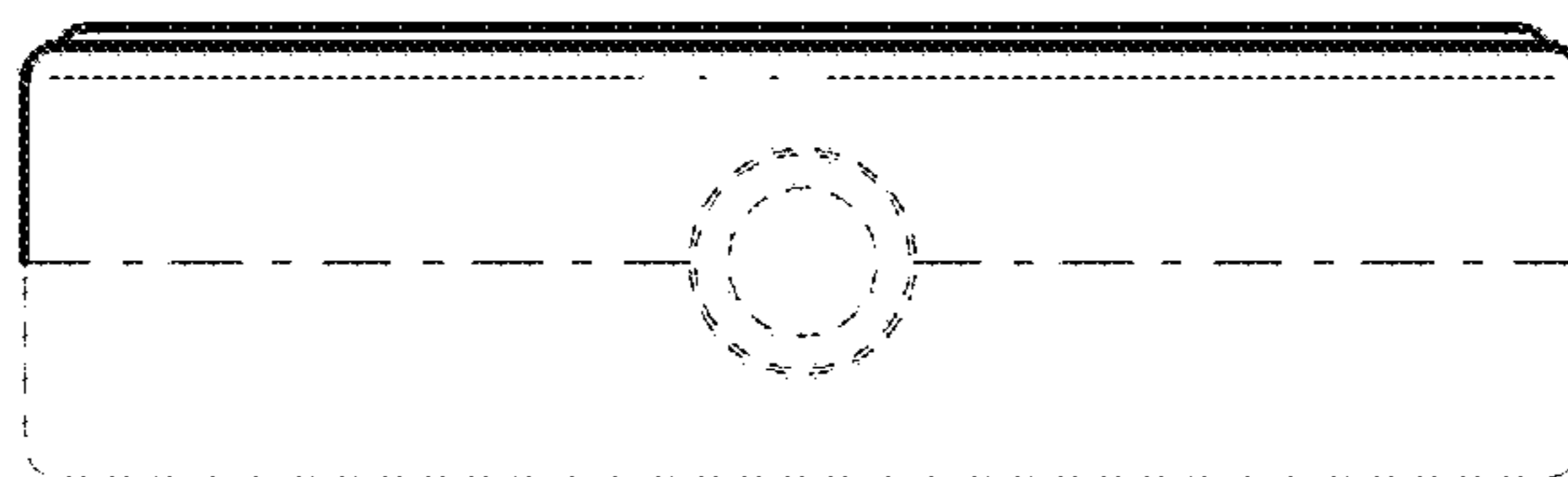


FIG. 8

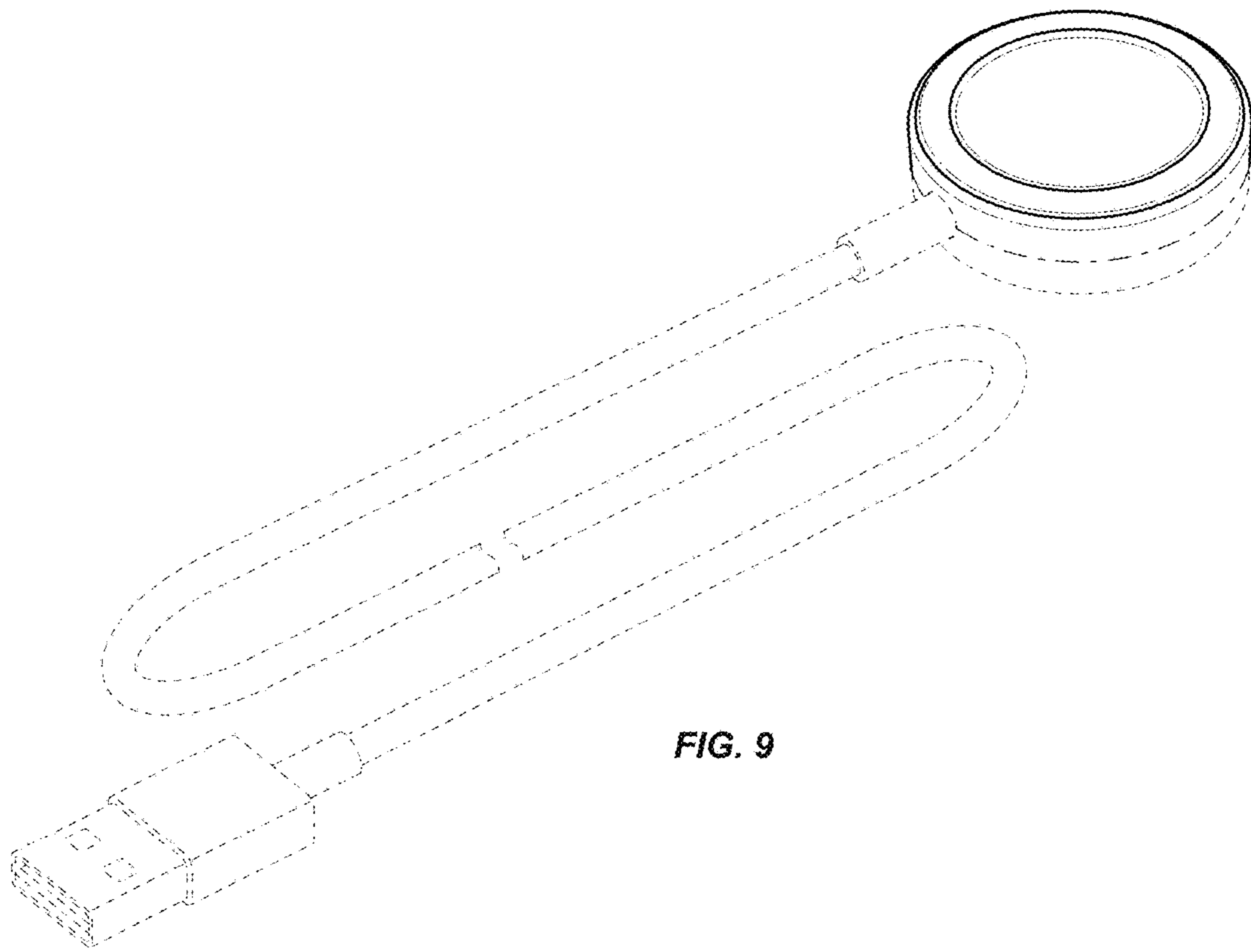


FIG. 9

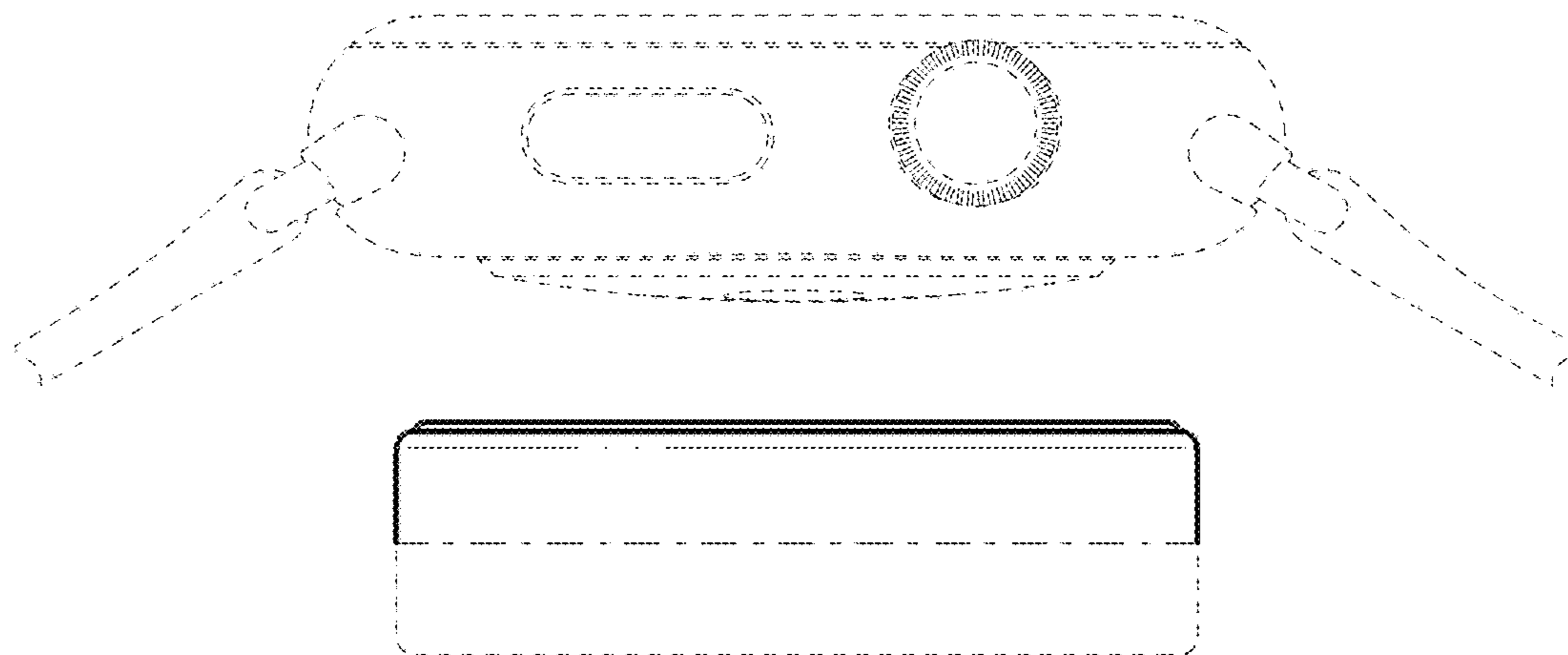


FIG. 10

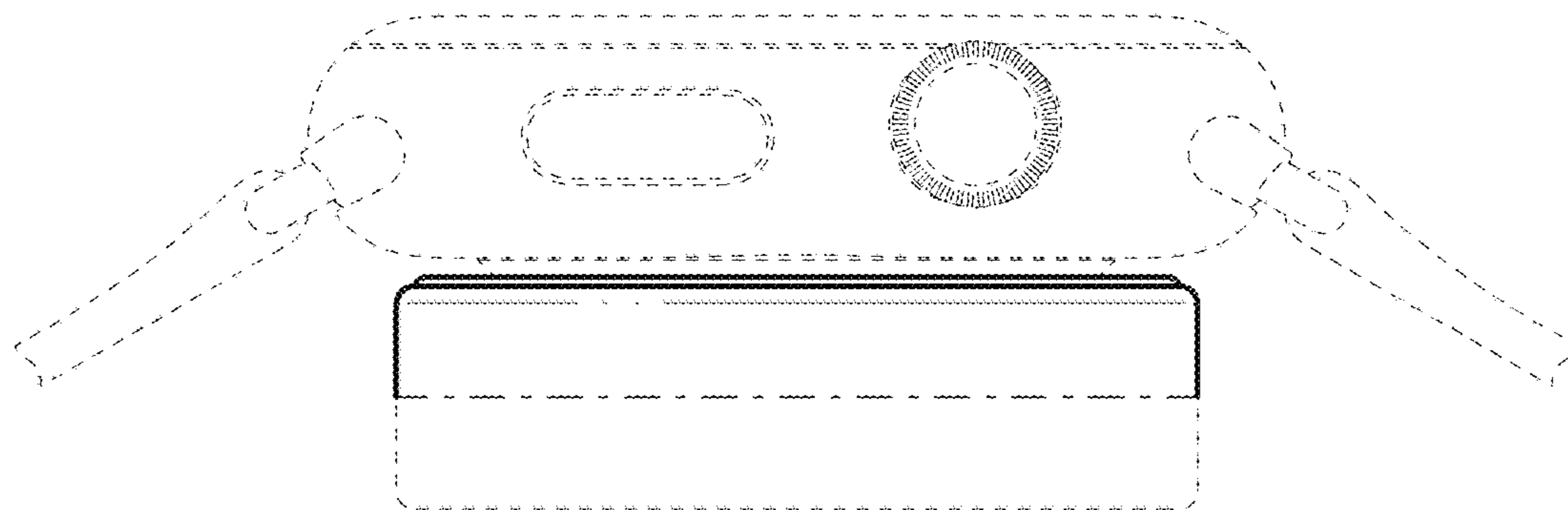


FIG. 11