



US00D786187S

(12) **United States Design Patent**  
**Nagamoto et al.**

(10) **Patent No.: US D786,187 S**

(45) **Date of Patent: \*\* May 9, 2017**

(54) **TREAD OF AN AUTOMOBILE TIRE**

(71) Applicant: **BRIDGESTONE CORPORATION,**  
Tokyo (JP)

(72) Inventors: **Shoko Nagamoto,** Tokyo (JP);  
**Alberico De Giacco,** Rome (IT)

(73) Assignee: **BRIDGESTONE CORPORATION,**  
Chuo-ku, Tokyo (JP)

(\*\*) Term: **15 Years**

(21) Appl. No.: **29/542,614**

(22) Filed: **Oct. 15, 2015**

(30) **Foreign Application Priority Data**

Apr. 24, 2015 (JP) ..... 2015-009297

(51) **LOC (10) Cl. .... 12-15**

(52) **U.S. Cl.**  
USPC ..... **D12/604**

(58) **Field of Classification Search**  
USPC ..... D12/519, 520, 521, 551, 552, 553, 560,  
D12/561, 566, 567, 586, 587, 591, 599,  
D12/600, 601, 604, 605  
CPC ..... B60C 11/03; B60C 11/0306  
See application file for complete search history.

(56) **References Cited**

**U.S. PATENT DOCUMENTS**

D228,889 S *	10/1973	Boileau .....	D12/583
D288,078 S *	2/1987	Hasegawa .....	D12/596
D384,605 S *	10/1997	Aoki .....	D12/603
D386,133 S *	11/1997	Nakatsuji .....	D12/583
D541,733 S *	5/2007	Lhospitalier .....	D12/548
D559,171 S *	1/2008	Sakuraba .....	D12/579
D606,484 S *	12/2009	Vandaele .....	D12/566
D620,429 S *	7/2010	Yamaguchi .....	D12/574
D661,246 S *	6/2012	Ono .....	D12/600

8,931,533 B2 *	1/2015	Nakamizo .....	B60C 11/0306 152/209.21
2014/0332133 A1 *	11/2014	Atake .....	B60C 11/0083 152/209.15
2016/0167442 A1 *	6/2016	Ito .....	B60C 11/0327 152/209.1

**FOREIGN PATENT DOCUMENTS**

JP	1429801 S	12/2014
JP	1519910 S	3/2015
KR	30-0257419 S	5/2000

**OTHER PUBLICATIONS**

Japanese Notice of JP2015-009297 dated Jul. 28, 2015.

\* cited by examiner

*Primary Examiner* — Robert M Spear

(74) *Attorney, Agent, or Firm* — Sughrue Mion, PLLC

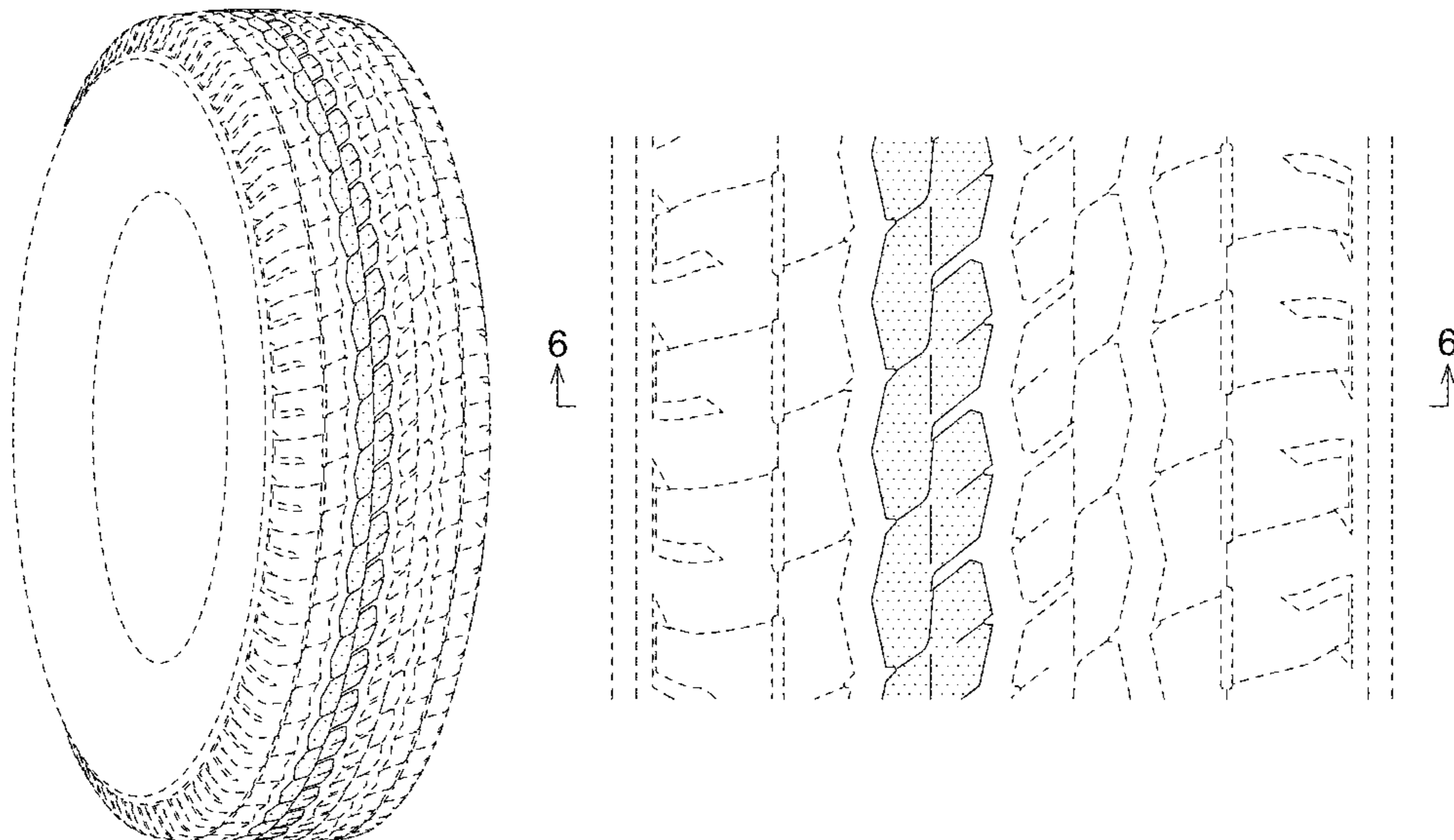
(57) **CLAIM**

The ornamental design for a tread of an automobile tire, as shown and described.

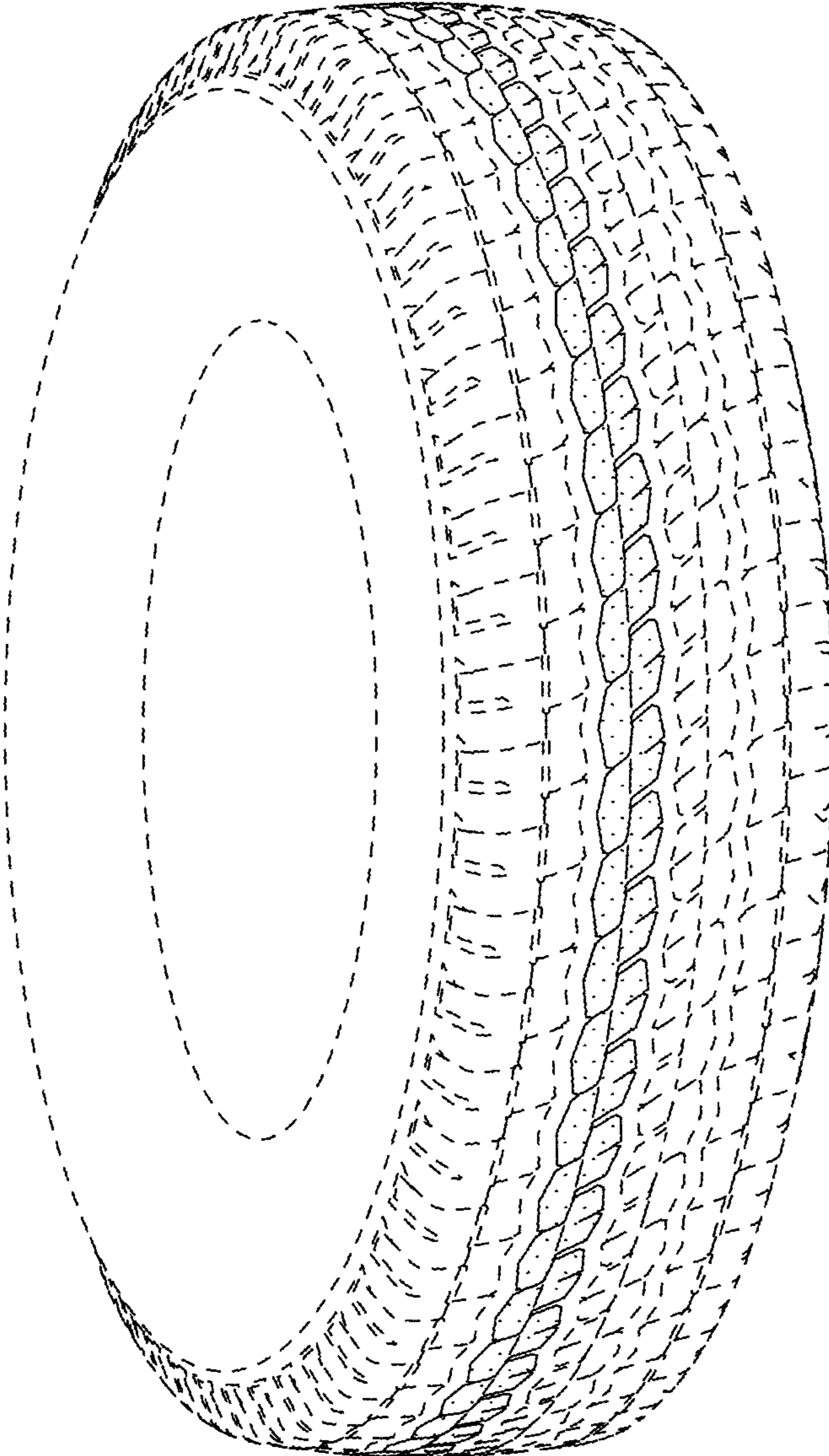
**DESCRIPTION**

FIG. 1 is a perspective view of a tread of an automobile tire; FIG. 2 is a front view thereof; FIG. 3 is a top view thereof; FIG. 4 is a right side view thereof; FIG. 5 is a fragmentary enlarged front view thereof; and, FIG. 6 is a section view taken along line 6-6 in FIG. 5. Broken lines in the drawings show portions of the tire that are not being claimed and thus form no part of the claimed design.

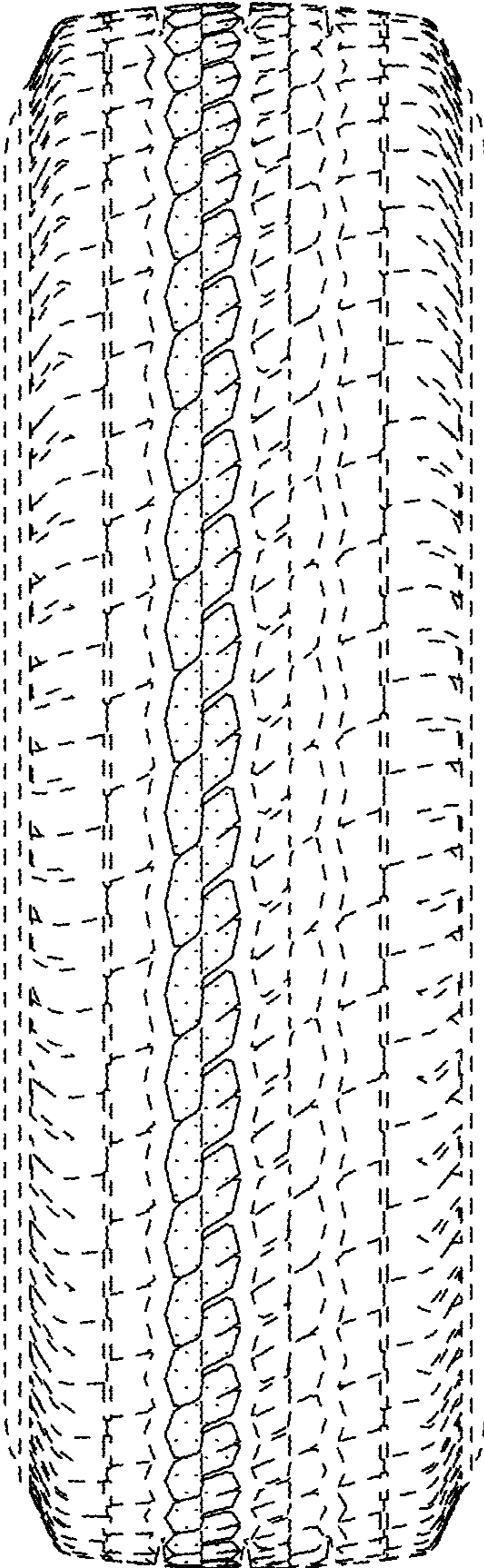
**1 Claim, 6 Drawing Sheets**



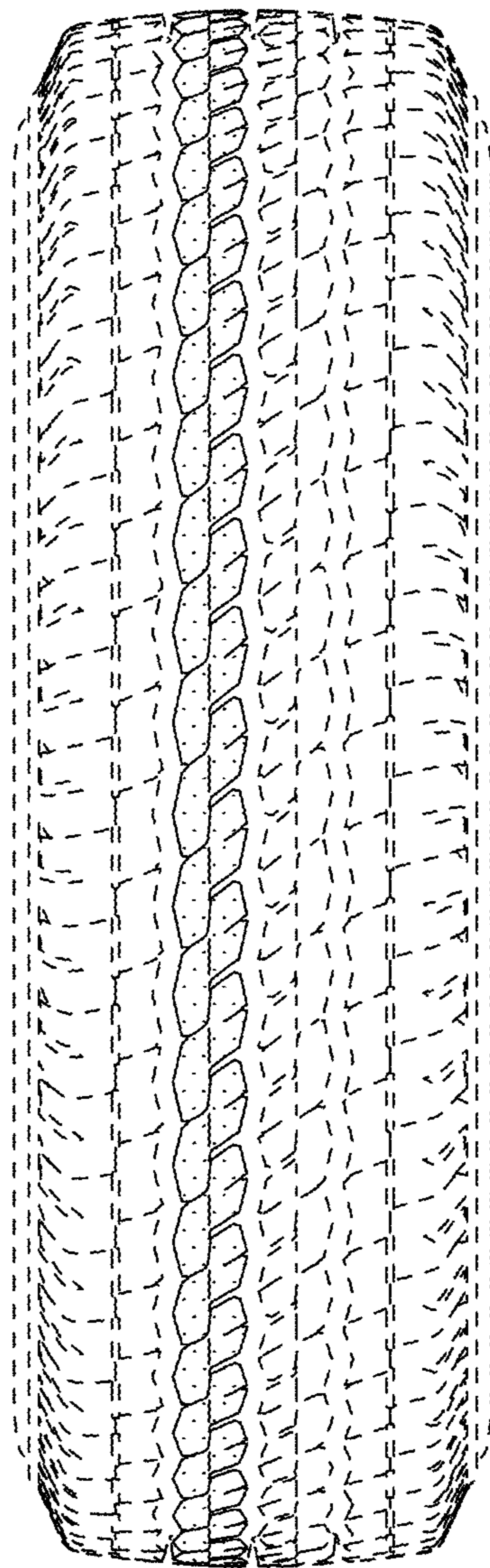
*FIG. 1*



*FIG. 2*



*FIG. 3*





*FIG. 4*

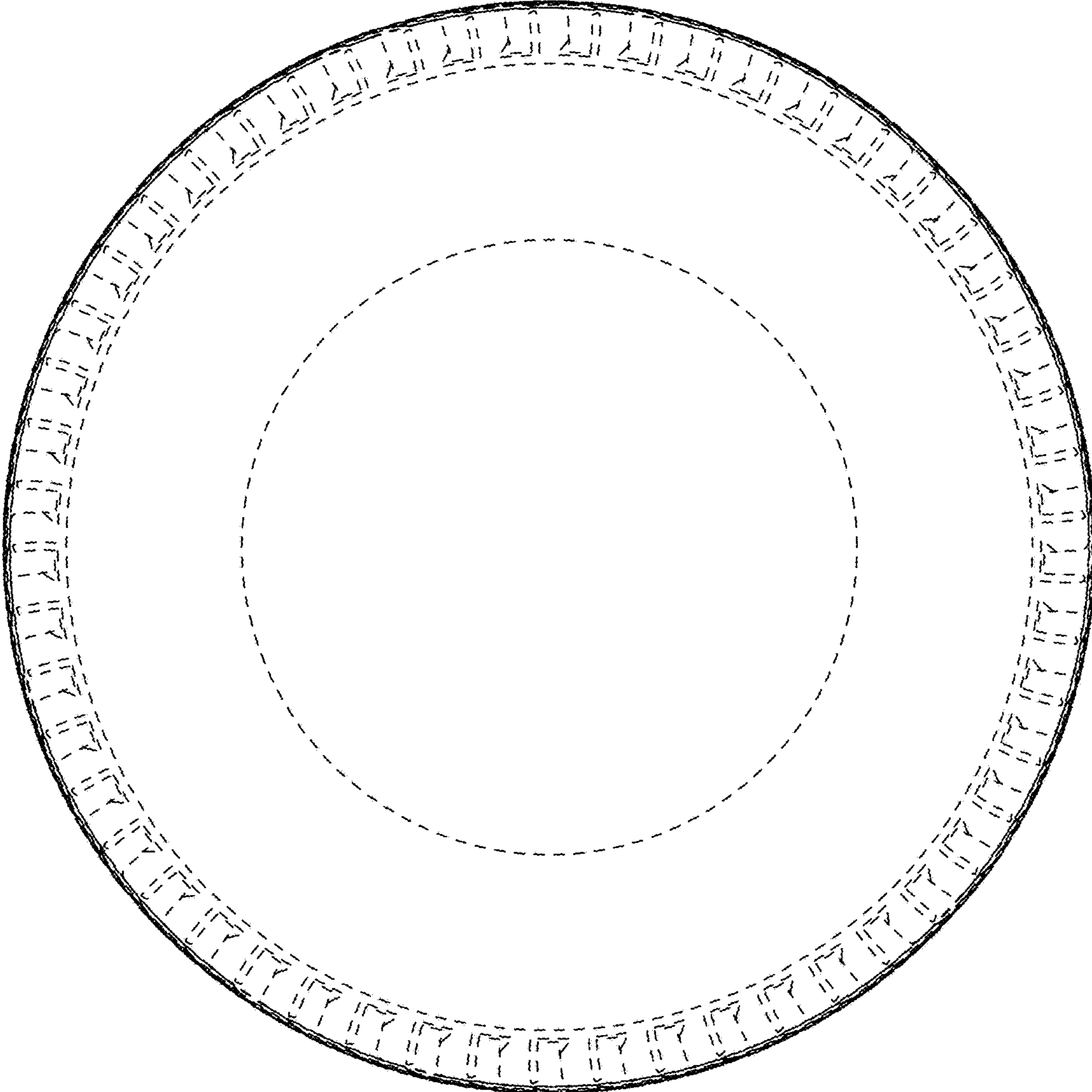
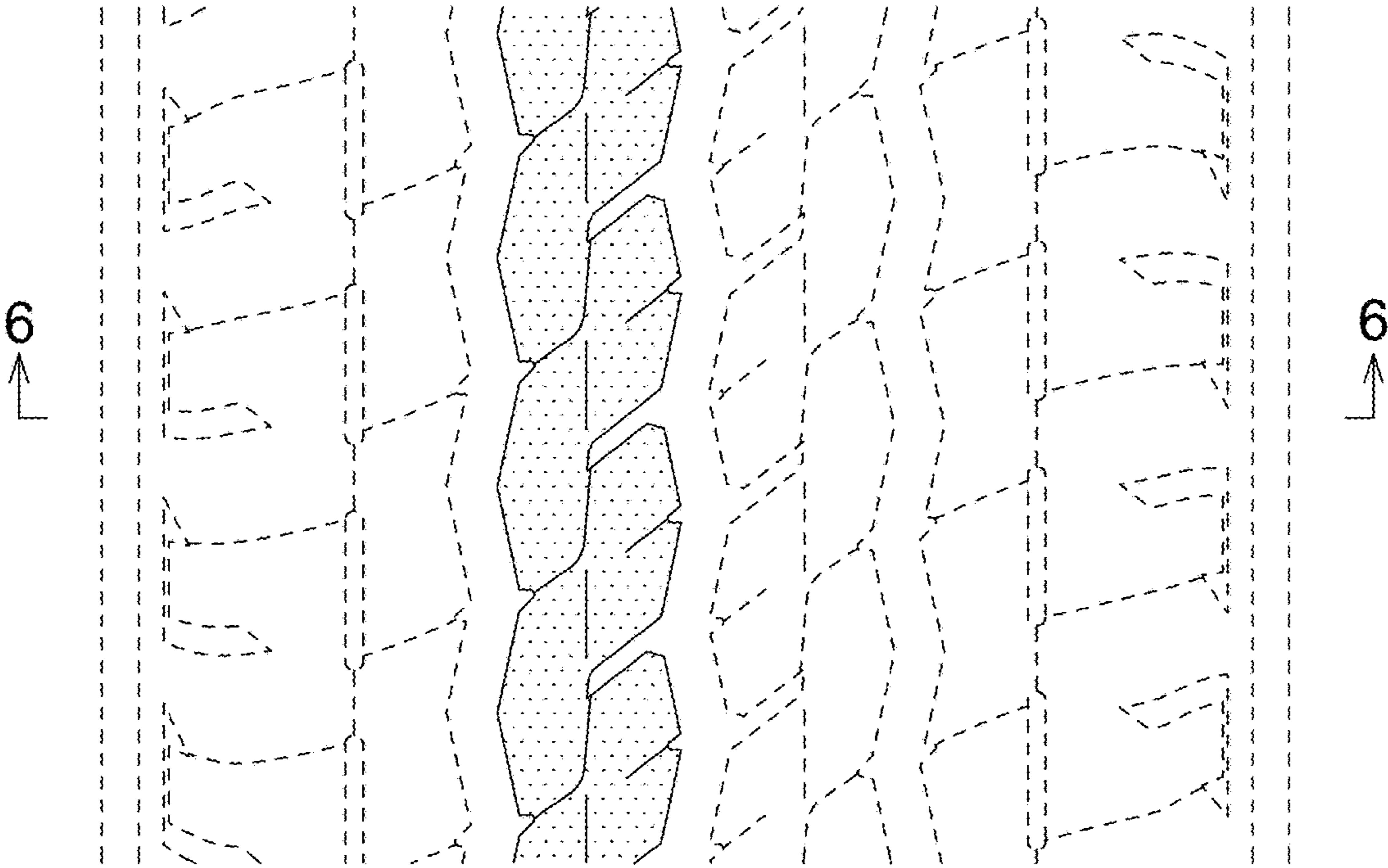


FIG. 5



*FIG. 6*

