

US00D786177S

(12) **United States Design Patent** (10) **Patent No.:** **US D786,177 S**
Schoeppner et al. (45) **Date of Patent:** **** May 9, 2017**

(54) **TIRE**

(71) Applicant: **The Goodyear Tire & Rubber Company, Akron, OH (US)**

(72) Inventors: **Nicholas Thomas Schoeppner, Cuyahoga Falls, OH (US); Michael Richard Crano, Wadsworth, OH (US); Jonathan James Shondel, Massillon, OH (US)**

(73) Assignee: **The Goodyear Tire & Rubber Company, Akron, OH (US)**

(**) Term: **15 Years**

(21) Appl. No.: **29/566,767**

(22) Filed: **Jun. 2, 2016**

(51) **LOC (10) Cl.** **12-15**

(52) **U.S. Cl.**
USPC **D12/521**

(58) **Field of Classification Search**
USPC D12/505–532, 900
CPC B60C 1/0016; B60C 11/0306; B60C 11/0302; B60C 3/06; B60C 9/17
See application file for complete search history.

(56) **References Cited**

U.S. PATENT DOCUMENTS

D398,886 S *	9/1998	Brown	D12/514
D412,474 S	8/1999	Heinen et al.	D12/147
D421,942 S	3/2000	Fierro et al.	D12/146
D421,943 S	3/2000	Fierro et al.	D12/147
D422,246 S	4/2000	Fierro et al.	D12/146
D445,374 S	7/2001	Allison	D12/147
D589,438 S	3/2009	Heinen et al.	D12/602
D599,274 S *	9/2009	Sakai	D12/515
D600,195 S	9/2009	Fontaine et al.	D12/564
D601,946 S	10/2009	Fontaine et al.	D12/553
D610,964 S	3/2010	Dixon et al.	D12/552
D626,496 S	11/2010	Fraenkel et al.	D12/516

D631,001 S	1/2011	Hughes et al.	D12/601
D644,983 S *	9/2011	Seng	D12/531
D674,743 S	1/2013	Uphouse et al.	D12/600

(Continued)

Primary Examiner — Robert M Spear

Assistant Examiner — John Voytek

(74) *Attorney, Agent, or Firm* — Robert N. Lipsik

(57) **CLAIM**

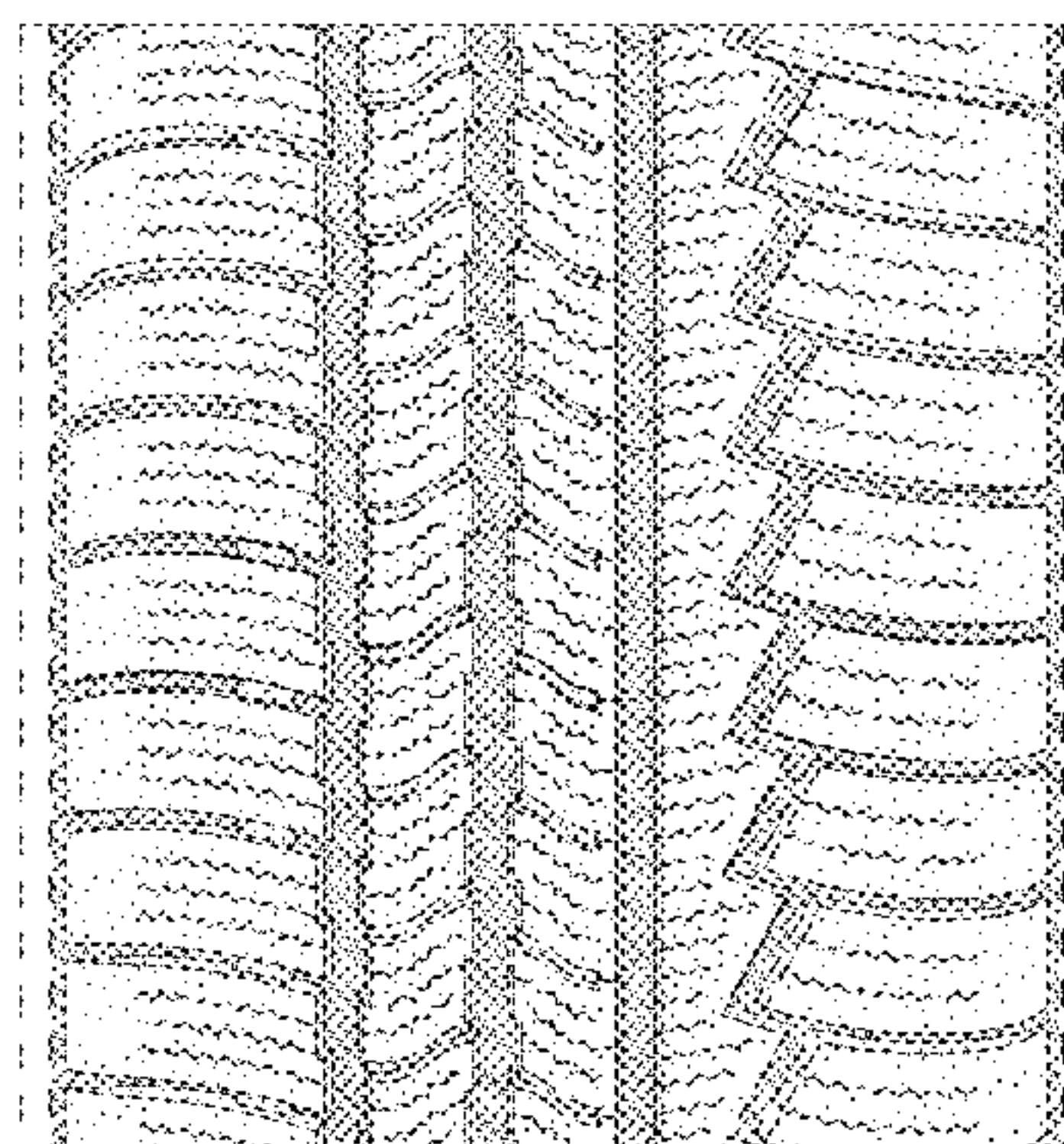
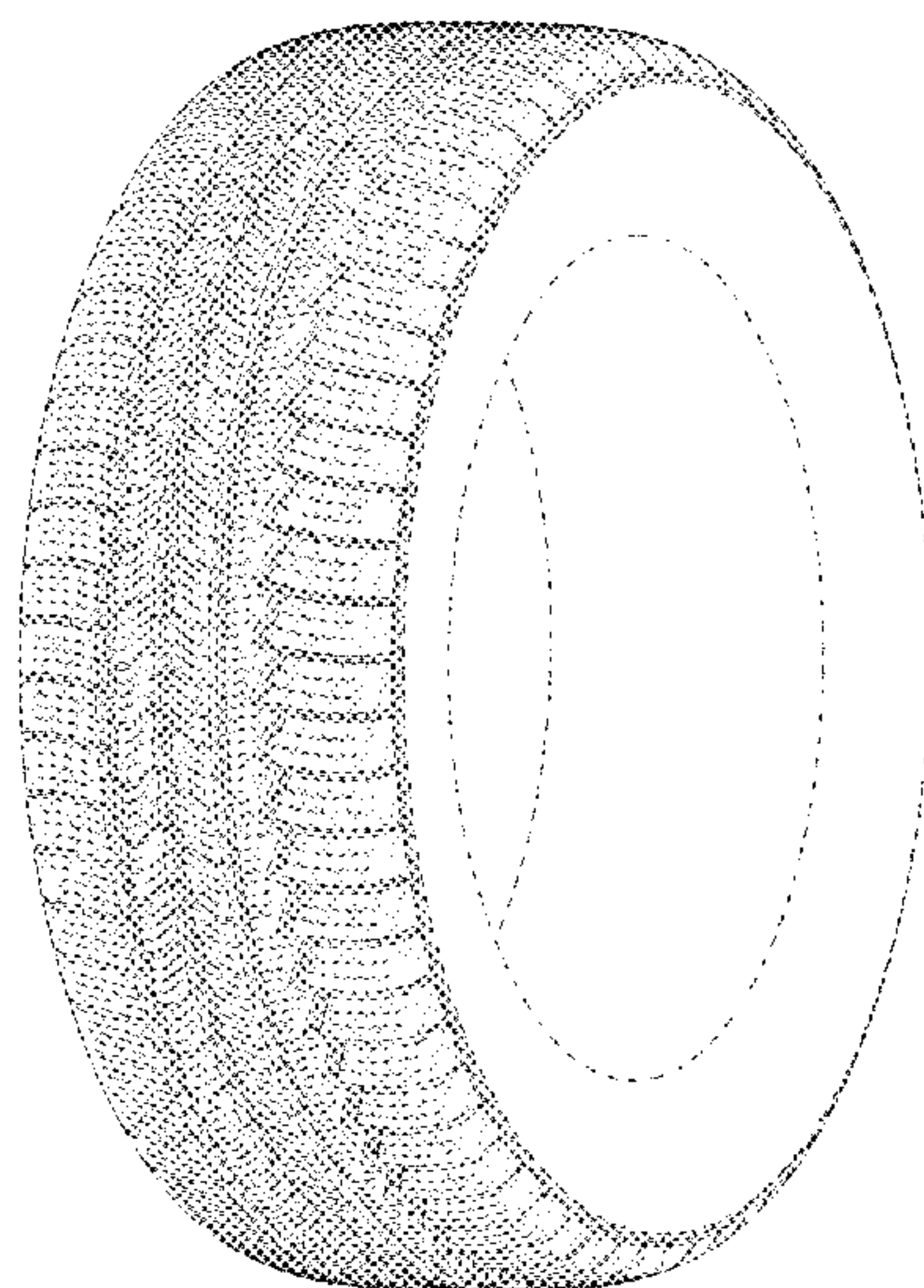
The ornamental design for a tire, as shown and described.

DESCRIPTION

FIG. 1 is a right side perspective view of a tire showing our new design, it being understood that the pattern repeats uniformly throughout the circumference of the tread;
 FIG. 2 is a left side perspective view thereof;
 FIG. 3 is a front elevational view thereof;
 FIG. 4 is a right side elevational view thereof;
 FIG. 5 is a left side elevational view thereof;
 FIG. 6 is an enlarged fragmentary front elevational view thereof;
 FIG. 7 is a right side perspective view of a second embodiment of a tire showing our new design, it being understood that the pattern repeats uniformly throughout the circumference of the tread;
 FIG. 8 is a left side perspective view of a second embodiment; and,
 FIG. 9 is a front elevational view of a second embodiment, it being understood that an enlarged fragmentary view thereof would be substantially identical to that shown in FIG. 6, with the exception of the inclusion of the sidewall in the claim.

In the drawings, the broken lines showing of the sidewall, inner bead and the peripheral boundary between the tire tread and the sidewall in FIGS. 1 through 6 depict environmental subject matter and form no part of the claimed design.

1 Claim, 9 Drawing Sheets



(56)

References Cited

U.S. PATENT DOCUMENTS

D687,367 S	8/2013	Kawasaki	D12/532
D696,621 S	12/2013	Harvey et al.	D12/516
D715,729 S	10/2014	Fontaine et al.	D12/566
D720,685 S	1/2015	Fontaine et al.	D12/565
D733,643 S	7/2015	Oberlin et al.	D12/601
D737,757 S	9/2015	Oberlin et al.	D12/601
D758,953 S *	6/2016	Ebiko	B60C 11/0309 D12/515

* cited by examiner

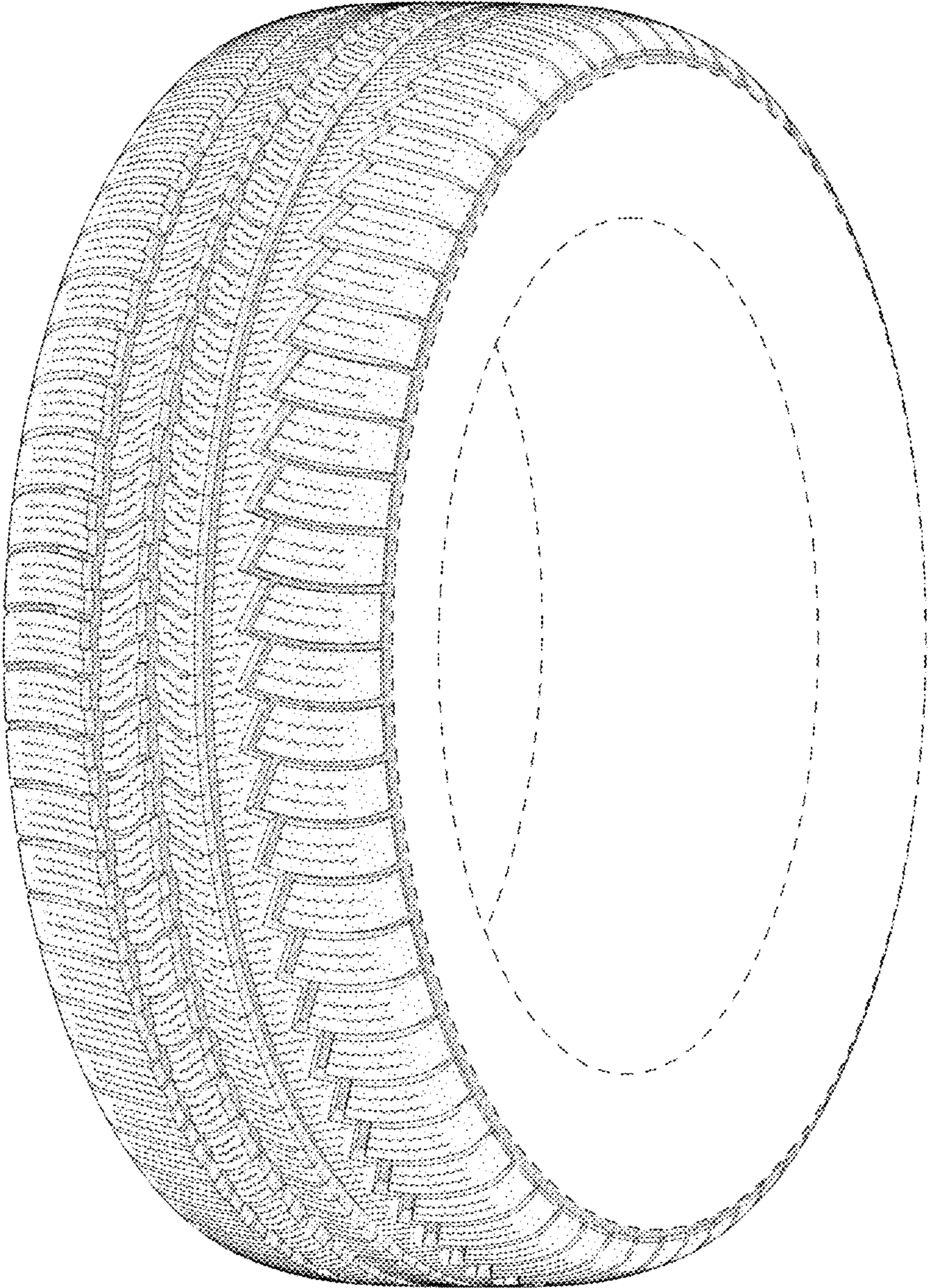


FIG - 1

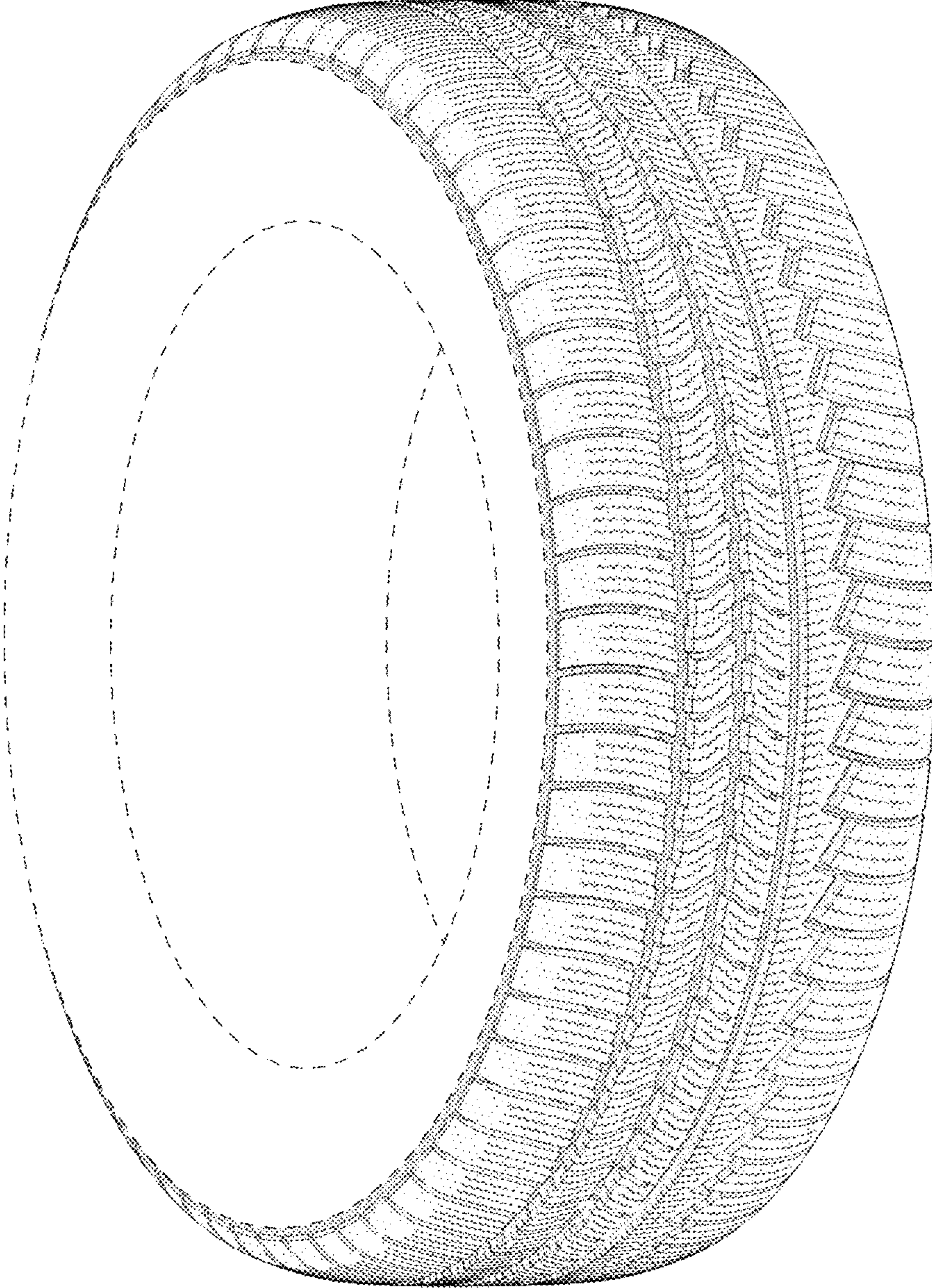


FIG - 2

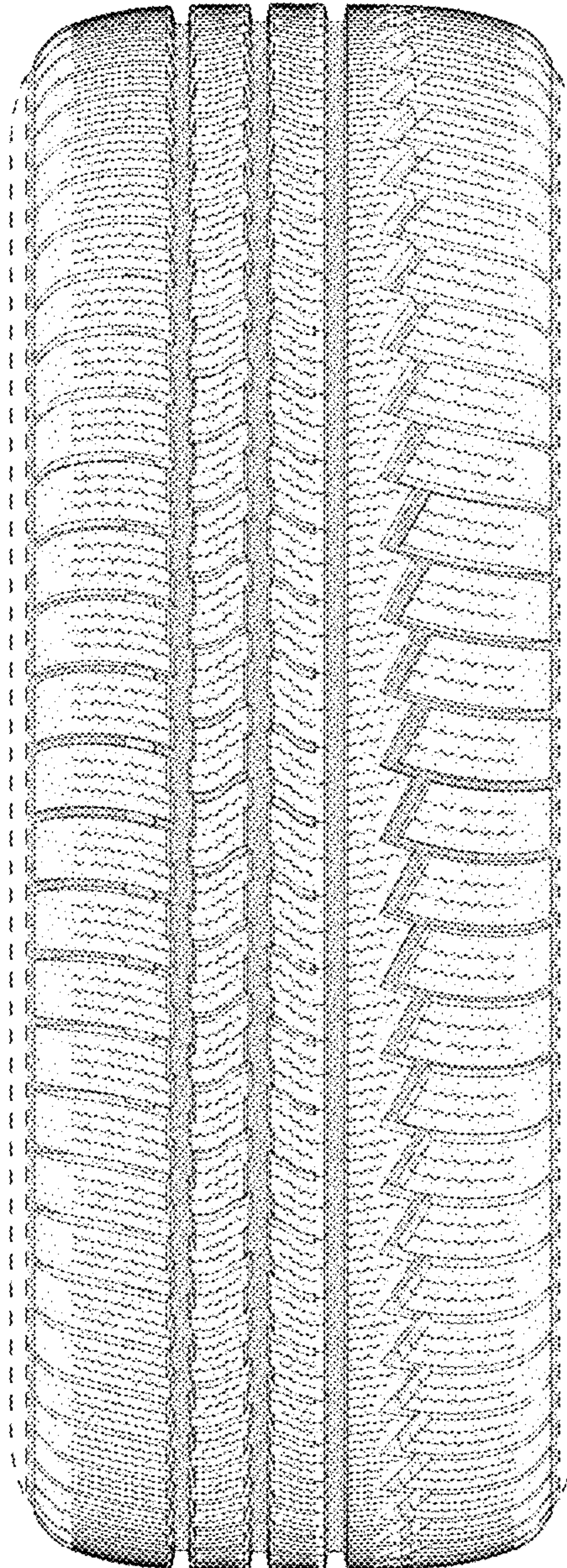


FIG - 3

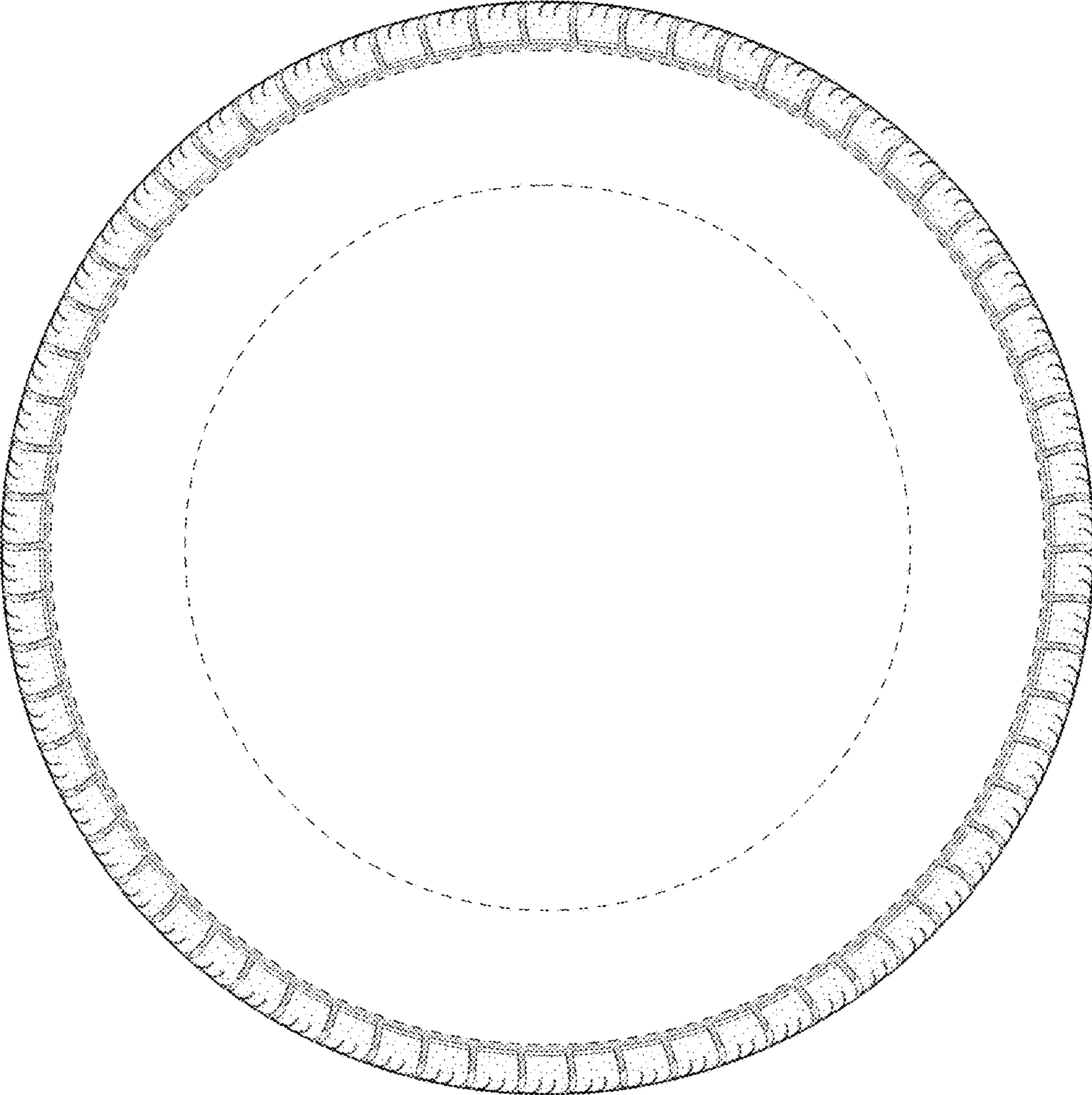


FIG - 4

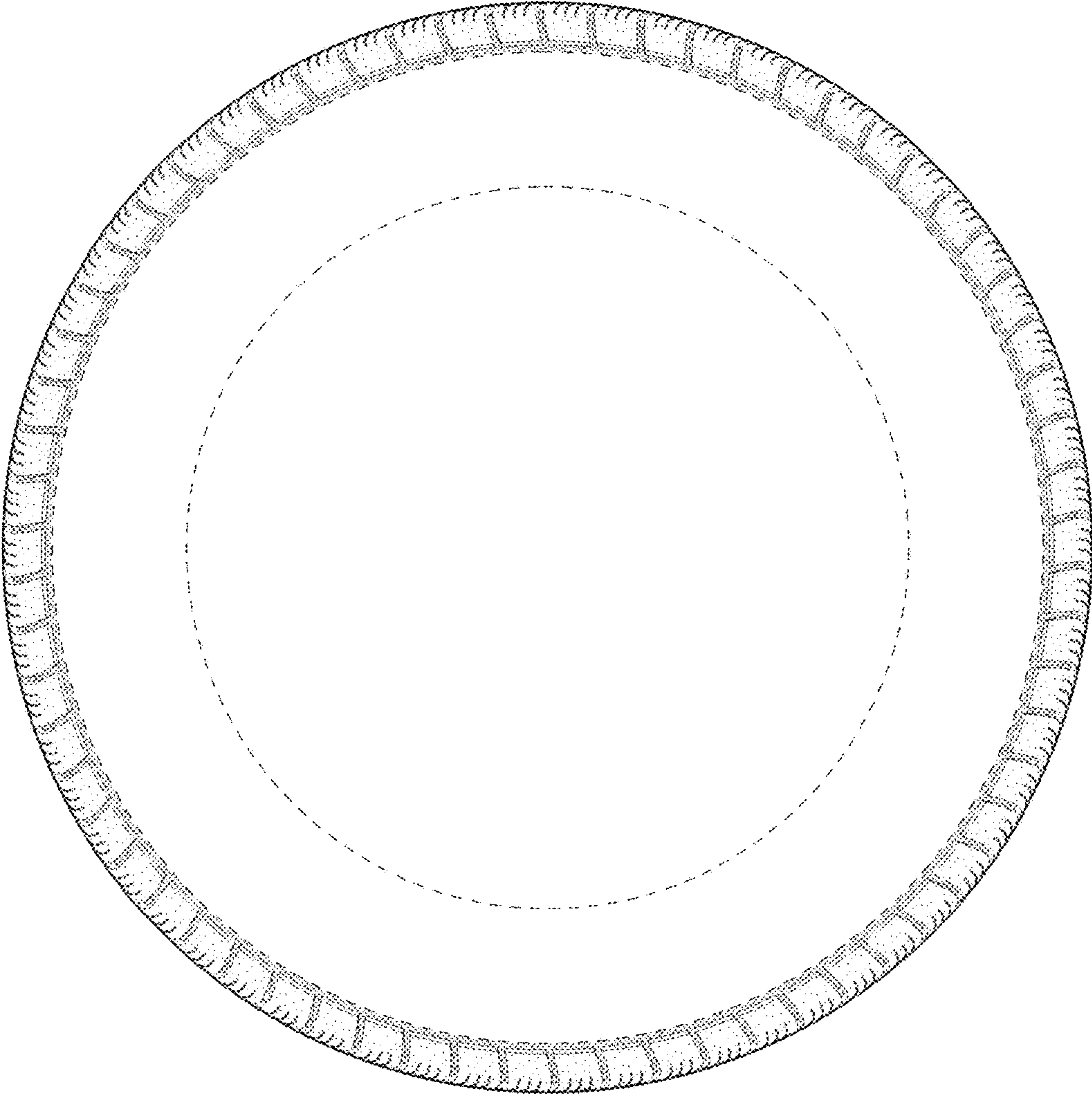


FIG - 5

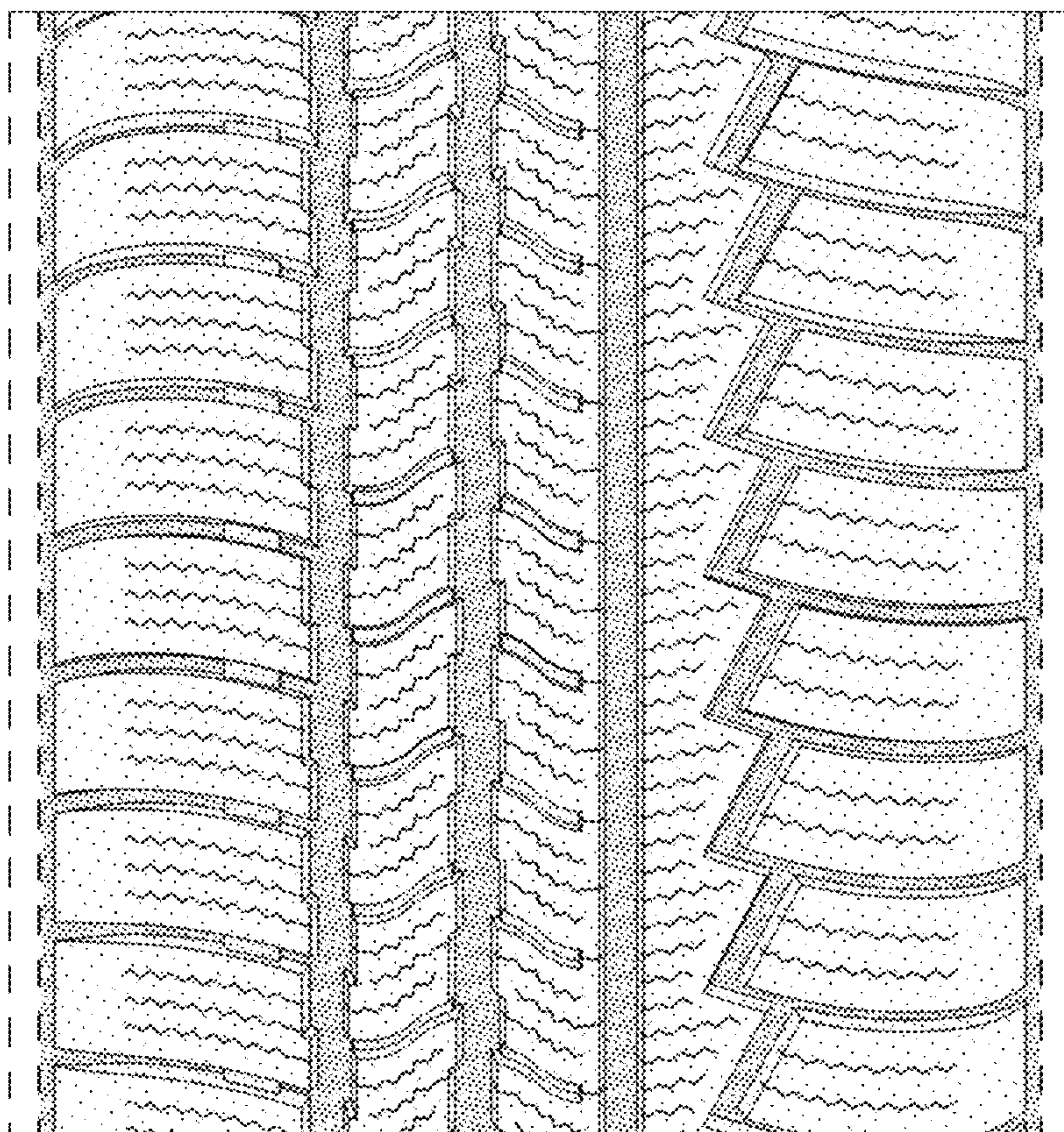


FIG - 6

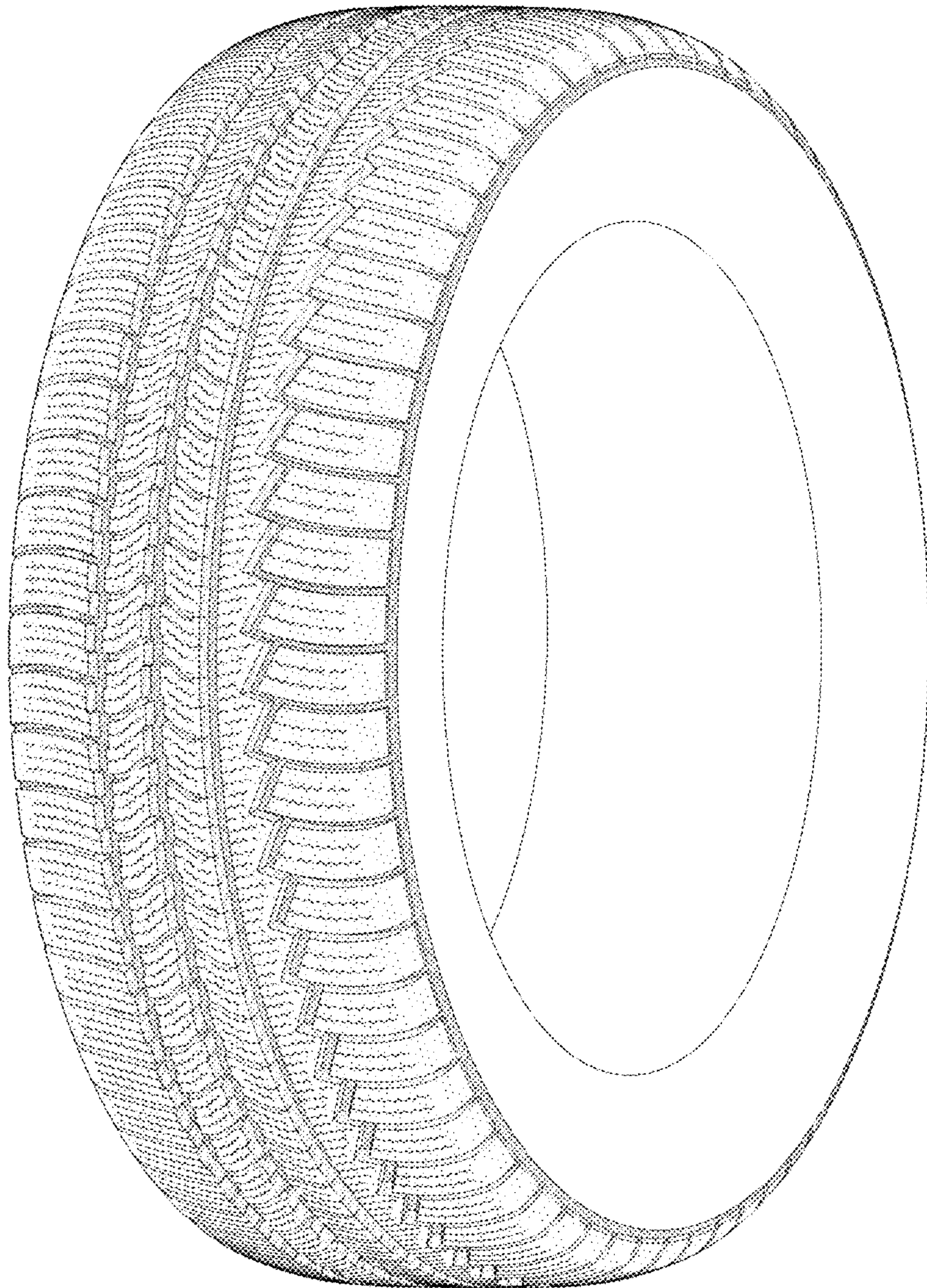


FIG - 7

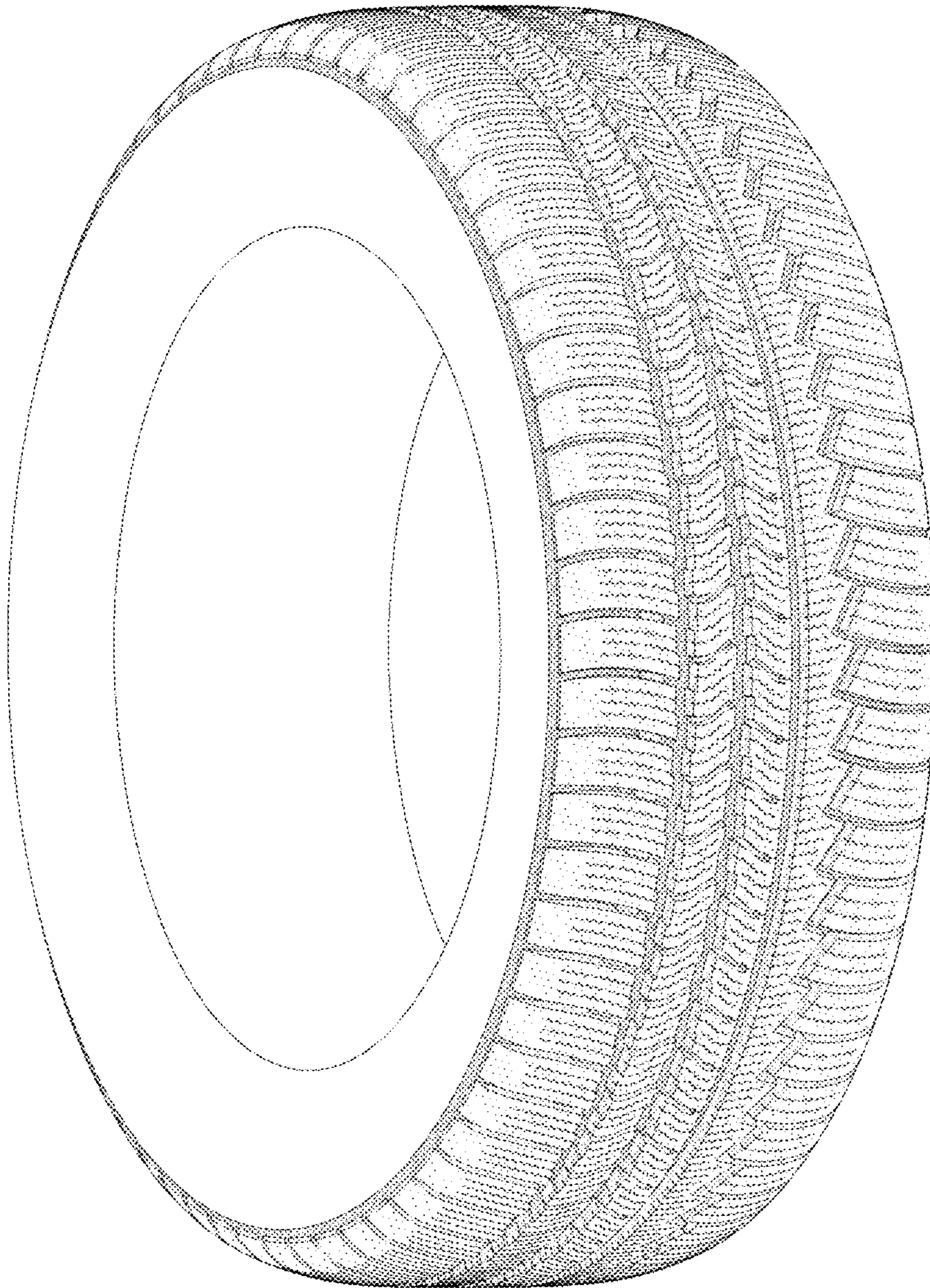


FIG - 8

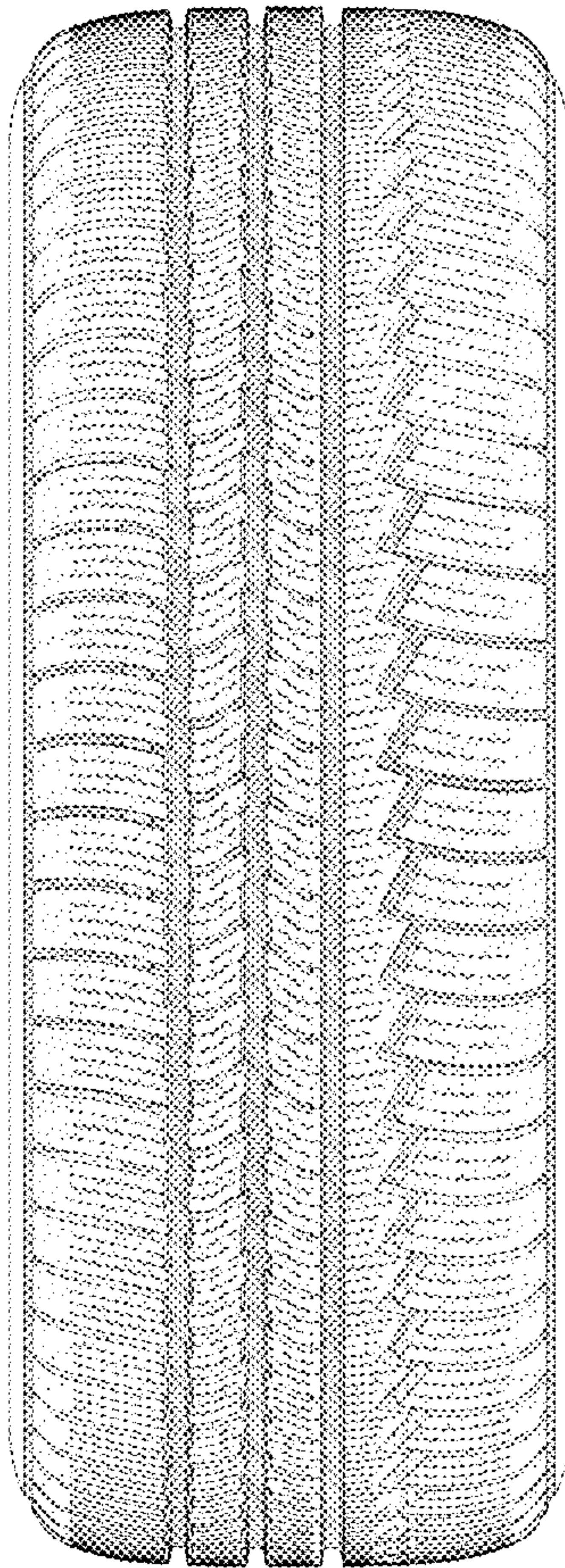


FIG - 9