



US00D786176S

(12) **United States Design Patent** (10) **Patent No.:** **US D786,176 S**
Colletti et al. (45) **Date of Patent:** **** May 9, 2017**

(54) **TYRE TREAD**

7/04; B60C 7/06; B60C 7/08; B60C 5/00;
B60C 13/00

(71) Applicant: **BRIDGESTONE CORPORATION,**
Tokyo (JP)

See application file for complete search history.

(72) Inventors: **Marco Colletti,** Rome (IT); **Marco Del Duca,** Rome (IT); **Nello Palomba,** Rome (IT); **Daniele Cristadoro,** Rome (IT); **Emiliano De Rosa,** Rome (IT)

(56) **References Cited**

U.S. PATENT DOCUMENTS

(73) Assignee: **BRIDGESTONE CORPORATION,**
Tokyo (JP)

D432,956 S *	10/2000	Ricquet	D12/521
D432,957 S *	10/2000	Ricquet	D12/521
D525,186 S *	7/2006	Martin	D12/521
D579,855 S *	11/2008	Fontaine	D12/521
D593,931 S *	6/2009	Fontaine	D12/521
D609,627 S *	2/2010	Frappart	D12/523
D638,348 S *	5/2011	Harvey	D12/521
D639,720 S *	6/2011	Harvey	D12/521
D644,593 S *	9/2011	Fontaine	D12/523
D655,239 S *	3/2012	Zhao	D12/521
D659,075 S *	5/2012	Harvey	D12/521
D659,633 S *	5/2012	Bindner	D12/521
D669,024 S *	10/2012	Oji	D12/590
D709,434 S *	7/2014	Kato	D12/521
D713,325 S *	9/2014	Maxwell	D12/521
D713,326 S *	9/2014	Fontaine	D12/532
D721,635 S *	1/2015	Lucas	D12/524
D721,641 S *	1/2015	Sieber	D12/588

(**) Term: **15 Years**

(21) Appl. No.: **29/547,973**

(22) Filed: **Dec. 9, 2015**

(30) **Foreign Application Priority Data**

Jun. 12, 2015 (EM) 002717918-0003

(51) **LOC (10) Cl.** **12-15**

(52) **U.S. Cl.**
USPC **D12/521**

(58) **Field of Classification Search**
USPC 152/5, 151, 152.1, 167, 208,
152/209.1-209.28, 246, 450, 526, 527,
152/532, 535, 538, 541; D12/145,
D12/500-605, 900-901; D21/425-435,
D21/495

CPC B60C 11/00; B60C 2011/0337; B60C
2011/0339; B60C 2011/0386; B60C 3/00;
B60C 3/08; B60C 1/00; B60C 2200/00;
B60C 2200/02; B60C 2200/04; B60C
2200/06; B60C 2200/065; B60C 2200/08;
B60C 2200/10; B60C 2200/12; B60C
2200/14; B60C 7/00; B60C 7/02; B60C

(Continued)

Primary Examiner — Manpreet Matharu

Assistant Examiner — Keith Wilson

(74) *Attorney, Agent, or Firm* — Sughrue Mion, PLLC

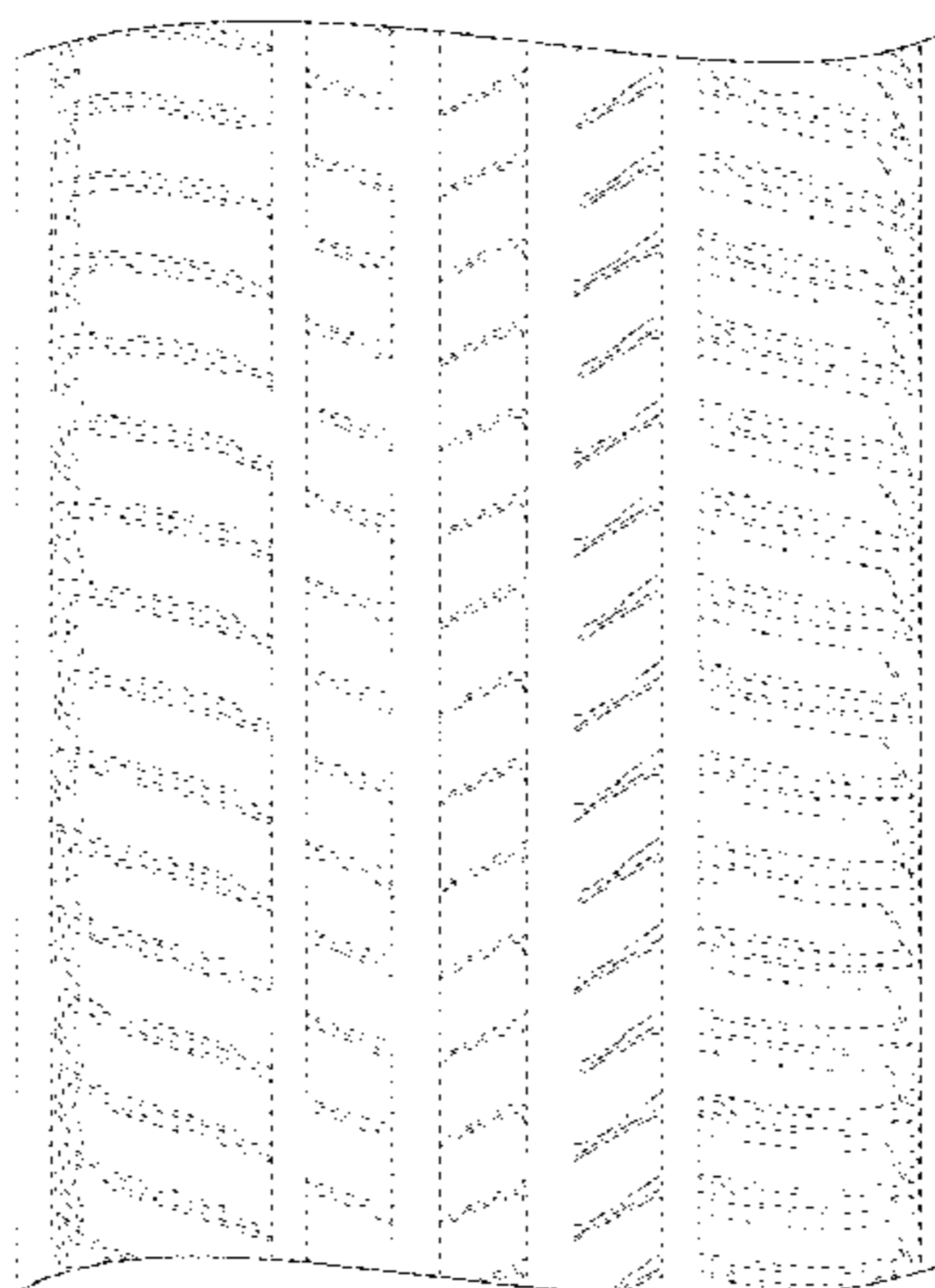
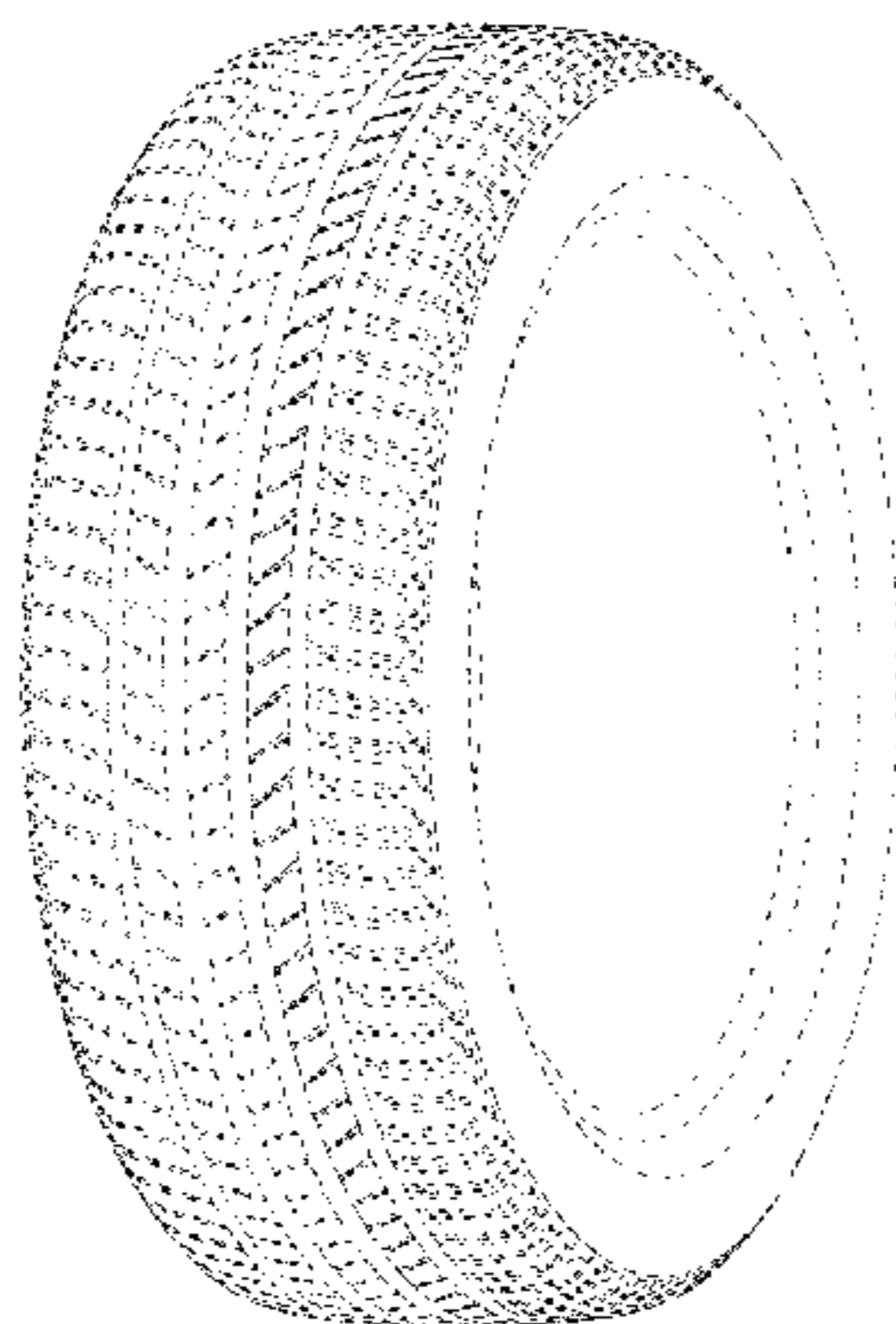
(57) **CLAIM**

The ornamental design for a tyre tread, as shown and described.

DESCRIPTION

FIG. 1 is a perspective view of the tyre tread showing our design;
FIG. 2 is a front view thereof;
FIG. 3 is a rear view thereof;
FIG. 4 is a fragmentary enlarged front view thereof; and,
FIG. 5 is a cross-sectional view thereof.

(Continued)



The broken lines are used to show portions of the tyre tread that are not being claimed, and thus form no part of the claimed design.

1 Claim, 5 Drawing Sheets

(56) **References Cited**

U.S. PATENT DOCUMENTS

D733,635	S *	7/2015	Digman	D12/521
D737,751	S *	9/2015	Bourel	D12/521
D753,584	S *	4/2016	Mathis	D12/605
2016/0082780	A1 *	3/2016	Nagahara	B60C 11/042
				152/209.18
2016/0144665	A1 *	5/2016	Koishikawa	B60C 11/0306
				152/209.1

* cited by examiner

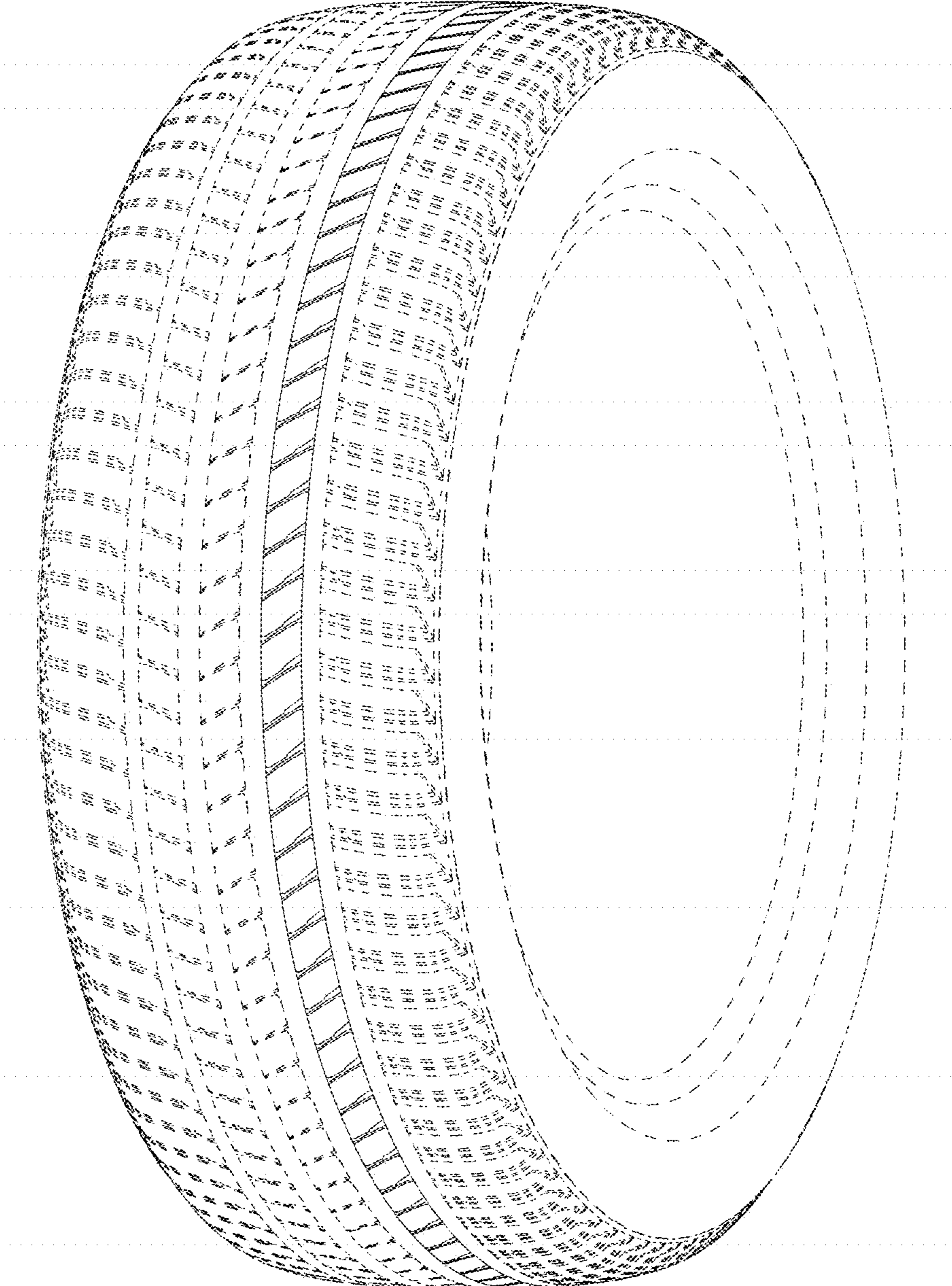


FIG. 1

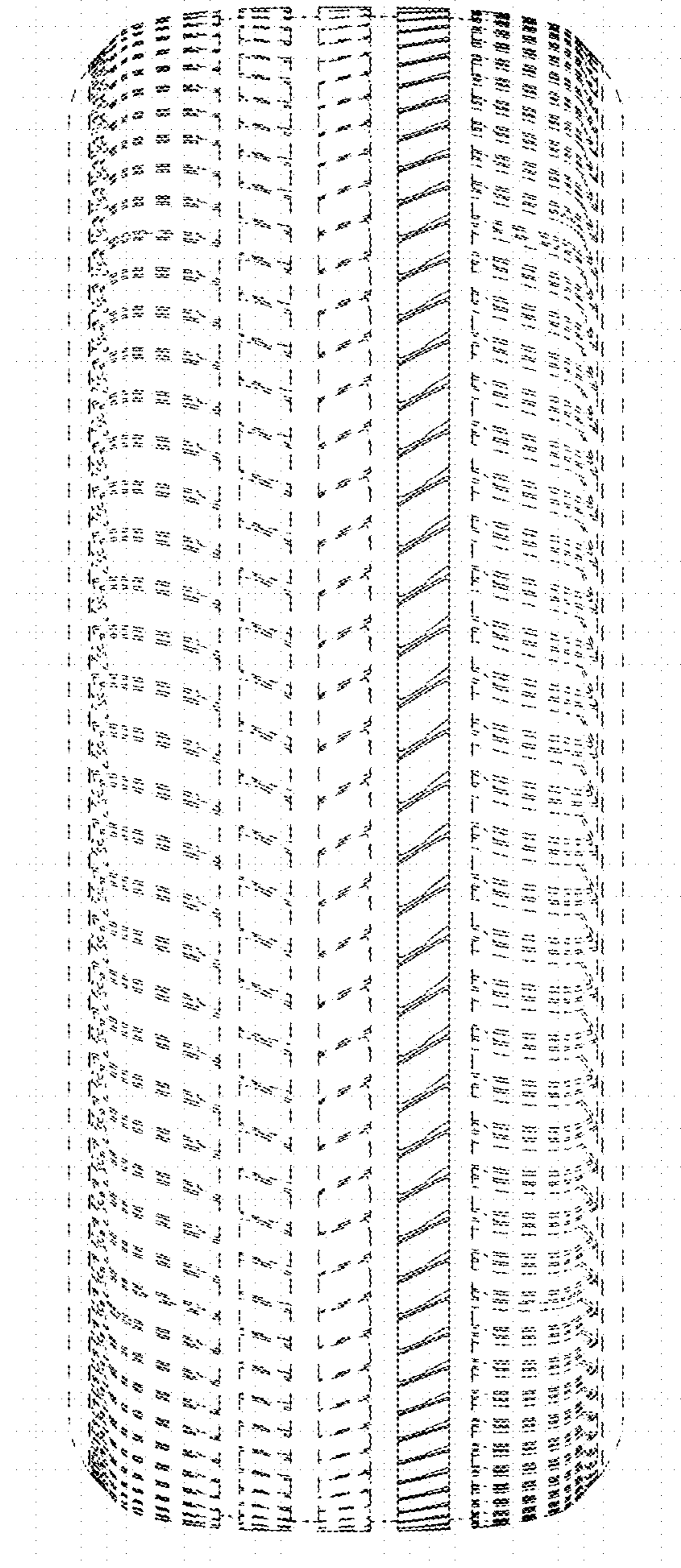


FIG. 2

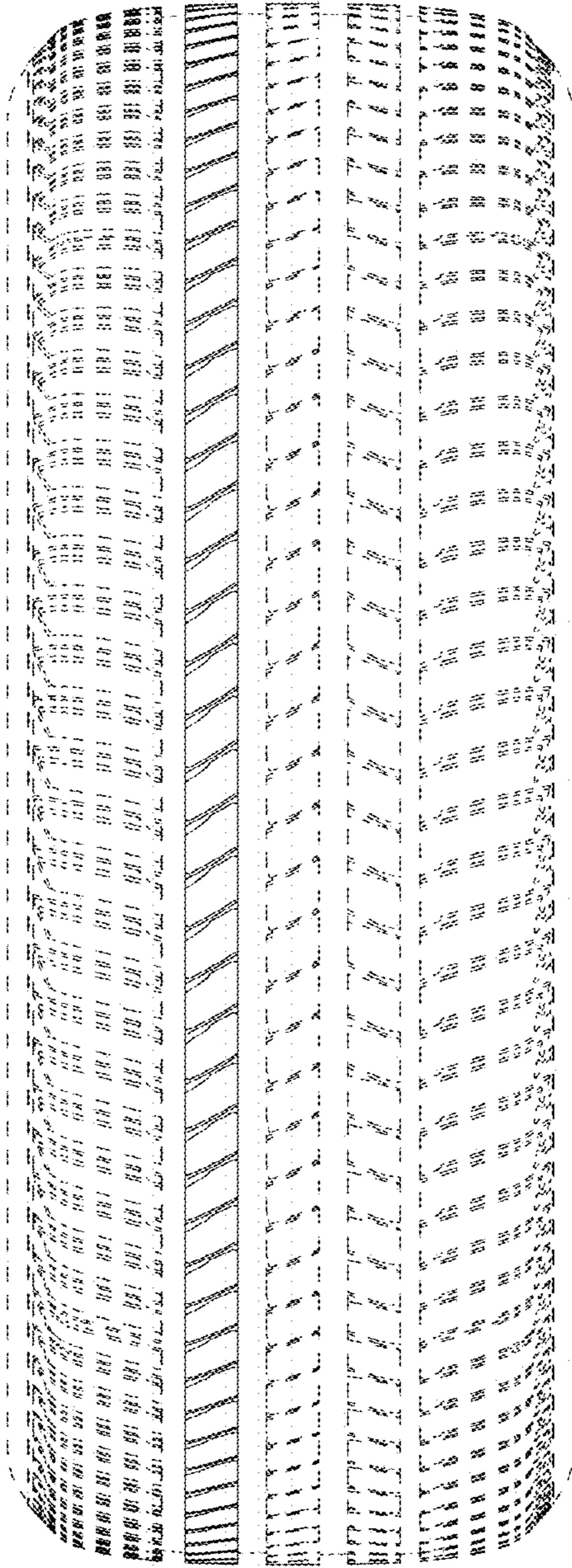


FIG. 3

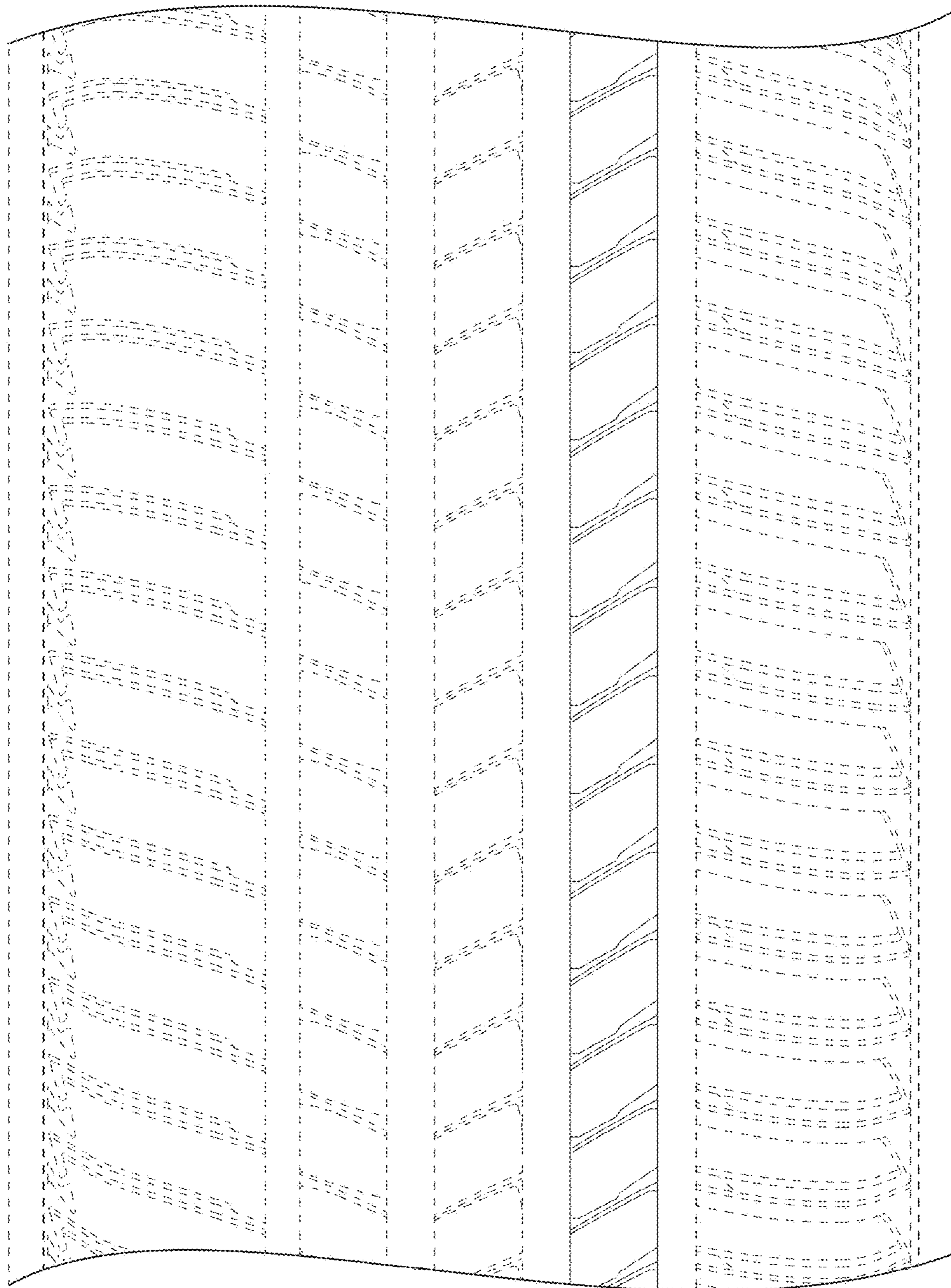


FIG. 4

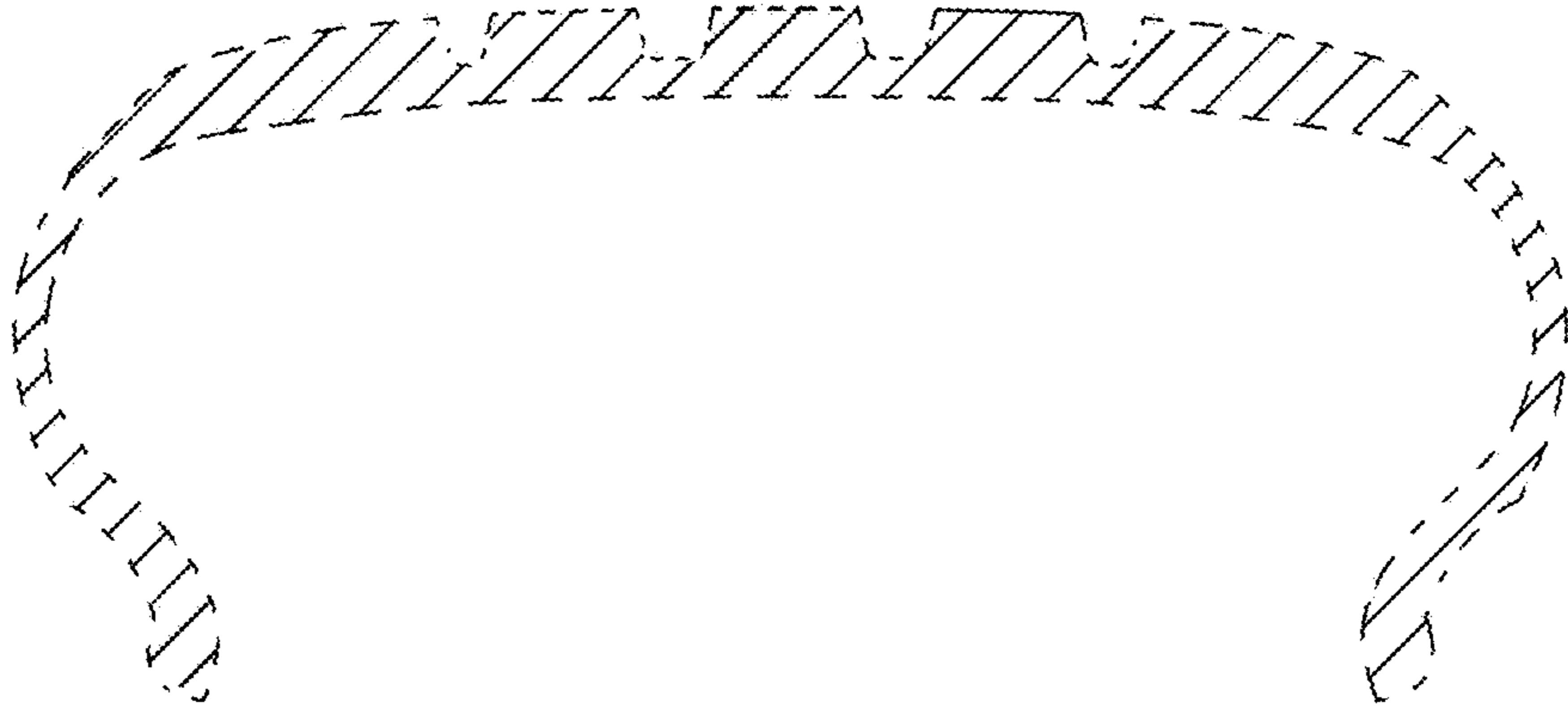


FIG. 5