



US00D786175S

(12) **United States Design Patent** (10) **Patent No.:** **US D786,175 S**
Cressy (45) **Date of Patent:** **** May 9, 2017**

(54) **PORTABLE TRASH CAN FOR VEHICLES AND AIRPLANES**

(71) Applicant: **Eddie Lawrence Cressy**, Pearblossom, CA (US)

(72) Inventor: **Eddie Lawrence Cressy**, Pearblossom, CA (US)

(**) Term: **15 Years**

(21) Appl. No.: **29/560,909**

(22) Filed: **Apr. 12, 2016**

Related U.S. Application Data

(63) Continuation-in-part of application No. 14/863,434, filed on Sep. 23, 2015, and a continuation-in-part of application No. 14/863,834, filed on Sep. 24, 2015.

(51) **LOC (10) Cl.** **12-16**

(52) **U.S. Cl.**
USPC **D12/416**

(58) **Field of Classification Search**
USPC D12/416, 415, 417, 418, 419, 423;
D6/513, 514, 611, 553, 556, 559;
D7/601-602, 605-607; D3/216, 217, 319
(Continued)

(56) **References Cited**

U.S. PATENT DOCUMENTS

D335,559 S 5/1993 Land et al.
5,803,325 A 9/1998 Wang
(Continued)

Primary Examiner — Katrina A Betton

(57) **CLAIM**

The ornamental design for a portable trash can for vehicles and airplanes, as shown and described.

DESCRIPTION

FIG. 1 shows an embodiment of the invention, with non-transparent walls and lid, viewed from the left, with a strap placed around a seat in a car. The seat forms no part of the claimed design.

FIG. 2 shows a bird's-eye view of an embodiment of the invention, with non-transparent walls and lid, with the lid closed.

FIG. 3 shows a bird's-eye view of an embodiment of the invention, with non-transparent walls and lid, with the lid open.

FIG. 4 shows a view of an embodiment of the invention, with non-transparent walls and lid, viewed from the left.

FIG. 5 shows a view of an embodiment of the invention, with non-transparent walls and lid, viewed from the right.

FIG. 6 shows a bird's-eye view of an embodiment of the invention, with non-transparent walls and lid, from the back.

FIG. 7 shows a view of an embodiment of the invention, with non-transparent walls and a transparent lid, viewed from the left.

FIG. 8 shows a view of an embodiment of the invention, with non-transparent walls and a transparent lid, viewed from the right.

FIG. 9 shows a view of an embodiment of the invention, with non-transparent walls and a transparent lid, viewed from the front.

FIG. 10 shows a view of an embodiment of the invention, with non-transparent walls and a transparent lid, viewed from the back.

FIG. 11 shows a bird's-eye view of an embodiment of the invention, with non-transparent walls and a transparent lid, with the lid closed.

FIG. 12 shows a bird's-eye view of an embodiment of the invention, with non-transparent walls and a non-transparent lid, and a smaller non-transparent mini-lid within the first lid, with the lid and mini-lid closed.

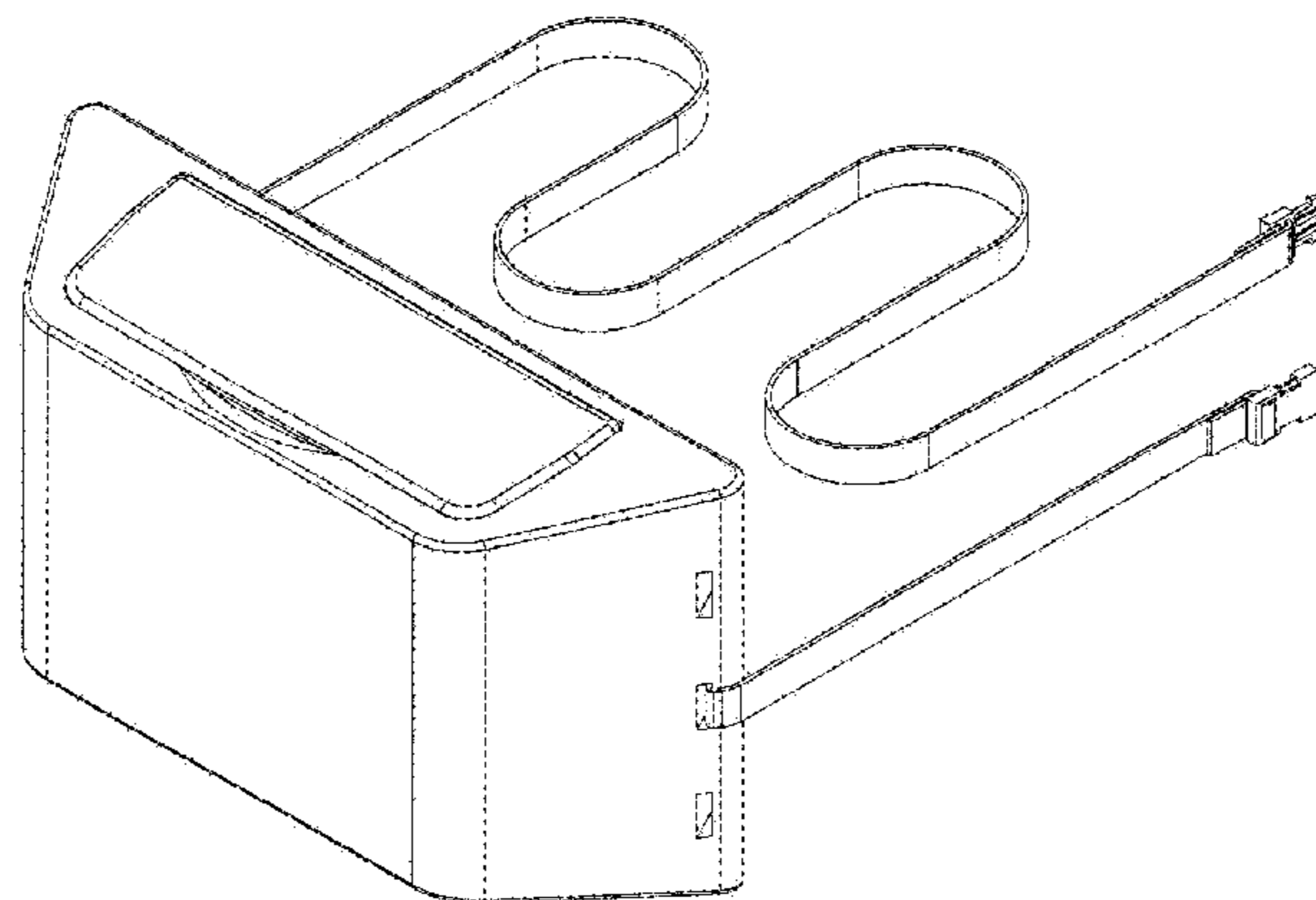
FIG. 13 shows a bird's-eye view of an embodiment of the invention, with non-transparent walls and a non-transparent lid, and a smaller non-transparent mini-lid within the first lid, with the lid closed and mini-lid open.

FIG. 14 shows a bird's-eye view of an embodiment of the invention, with most of the walls being non-transparent, a transparent panel within the wall, in the front of the embodiment, and a non-transparent lid; and,

FIG. 15 shows a bird's-eye view of an embodiment of the invention, with transparent walls and a transparent lid.

All embodiments of the invention have the same basic shape and visual appearance. Some embodiments have a mini-lid within the larger lid, as will be illustrated below. Some

(Continued)



embodiments of the invention have transparent walls, transparent panels in the walls, and/or a transparent lid. It is understood that any portion of the walls or lid or mini-lid of the invention may be transparent and still remain within the scope of the claimed invention.

1 Claim, 15 Drawing Sheets

(58) Field of Classification Search

CPC B65D 33/00; B64D 11/0636; B60N 3/004
See application file for complete search history.

(56) References Cited

U.S. PATENT DOCUMENTS

6,074,000	A	6/2000	Wagner	
6,435,587	B1	8/2002	Flowerday et al.	
D632,242	S *	2/2011	Currie	D12/416
D632,510	S *	2/2011	Johnson	D12/416
7,914,074	B2	3/2011	Lindsay	
D650,733	S *	12/2011	Cooney	D12/416
D654,424	S *	2/2012	Vadala	D12/416
8,132,156	B2	3/2012	Malcolm	
D658,568	S *	5/2012	Currier	D12/416
8,376,200	B2	2/2013	Kim	
D679,240	S *	4/2013	Krankkala	D12/416
D683,691	S *	6/2013	Rowsey	D12/416
D777,643	S *	1/2017	Benfatti	D12/416
2001/0050499	A1	12/2001	DeLoach et al.	
2009/0115229	A1	5/2009	Messner et al.	
2012/0189229	A1	7/2012	Reda et al.	
2013/0038080	A1	2/2013	Tate	

* cited by examiner

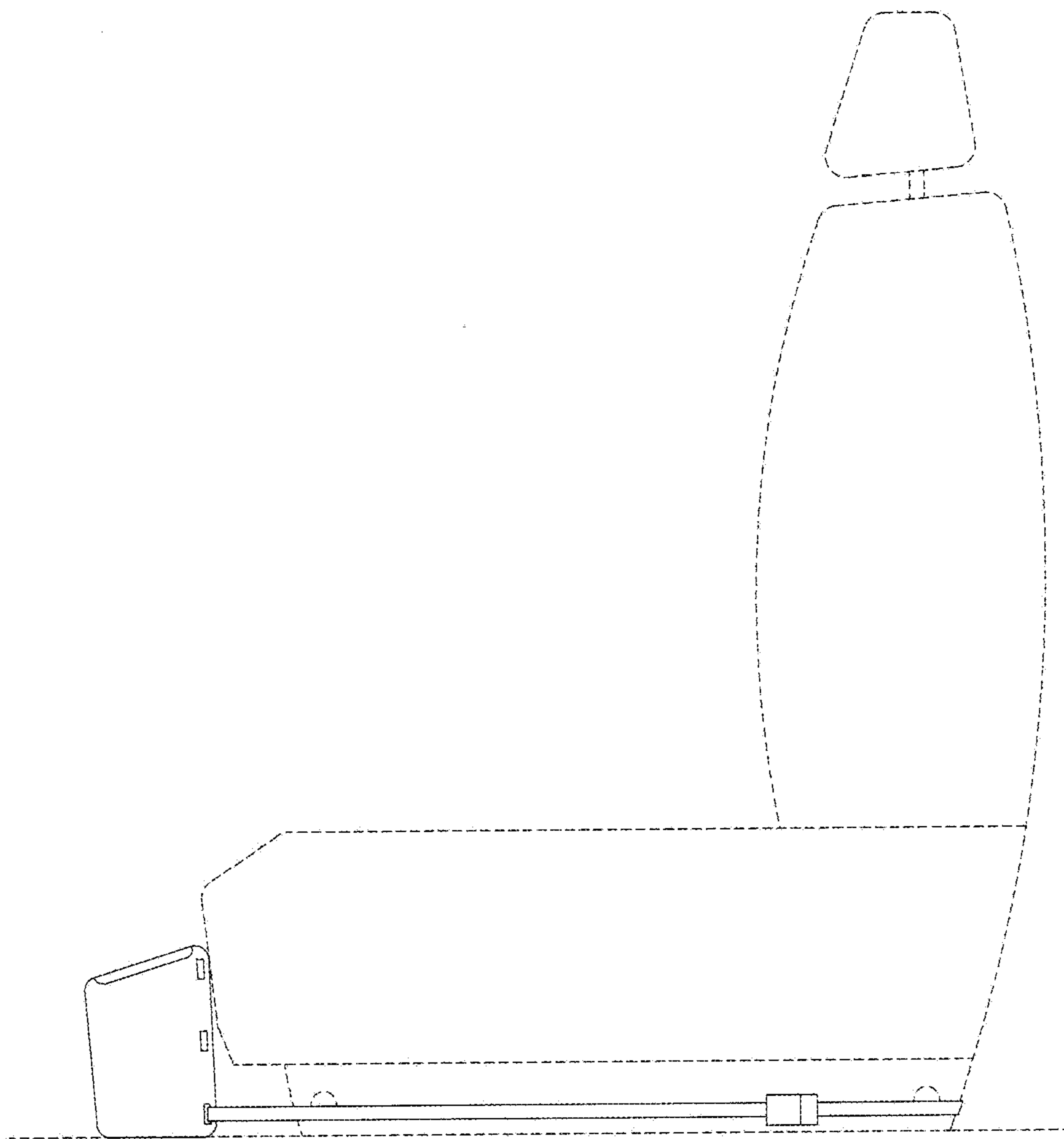


FIG. 1

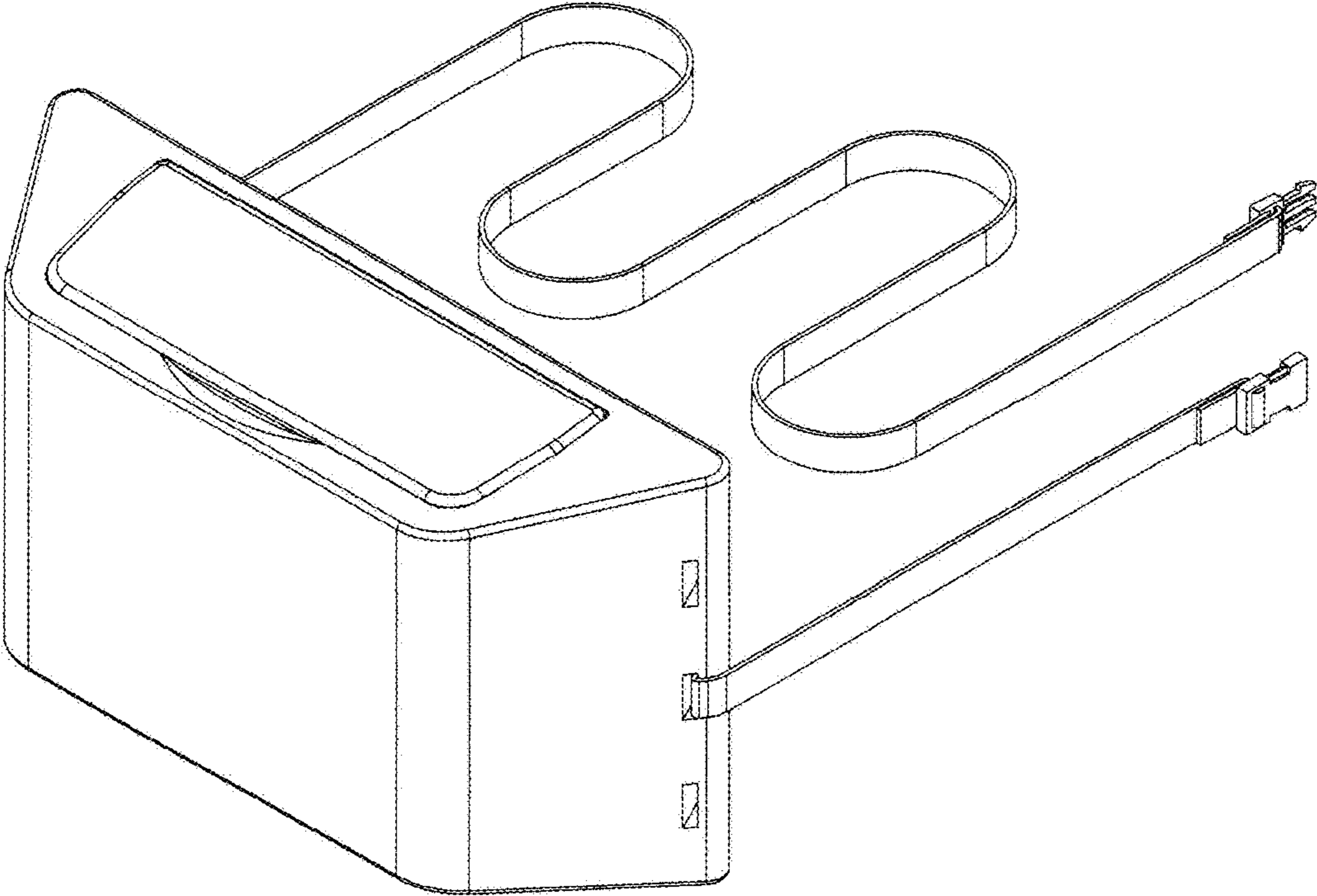


FIG. 2

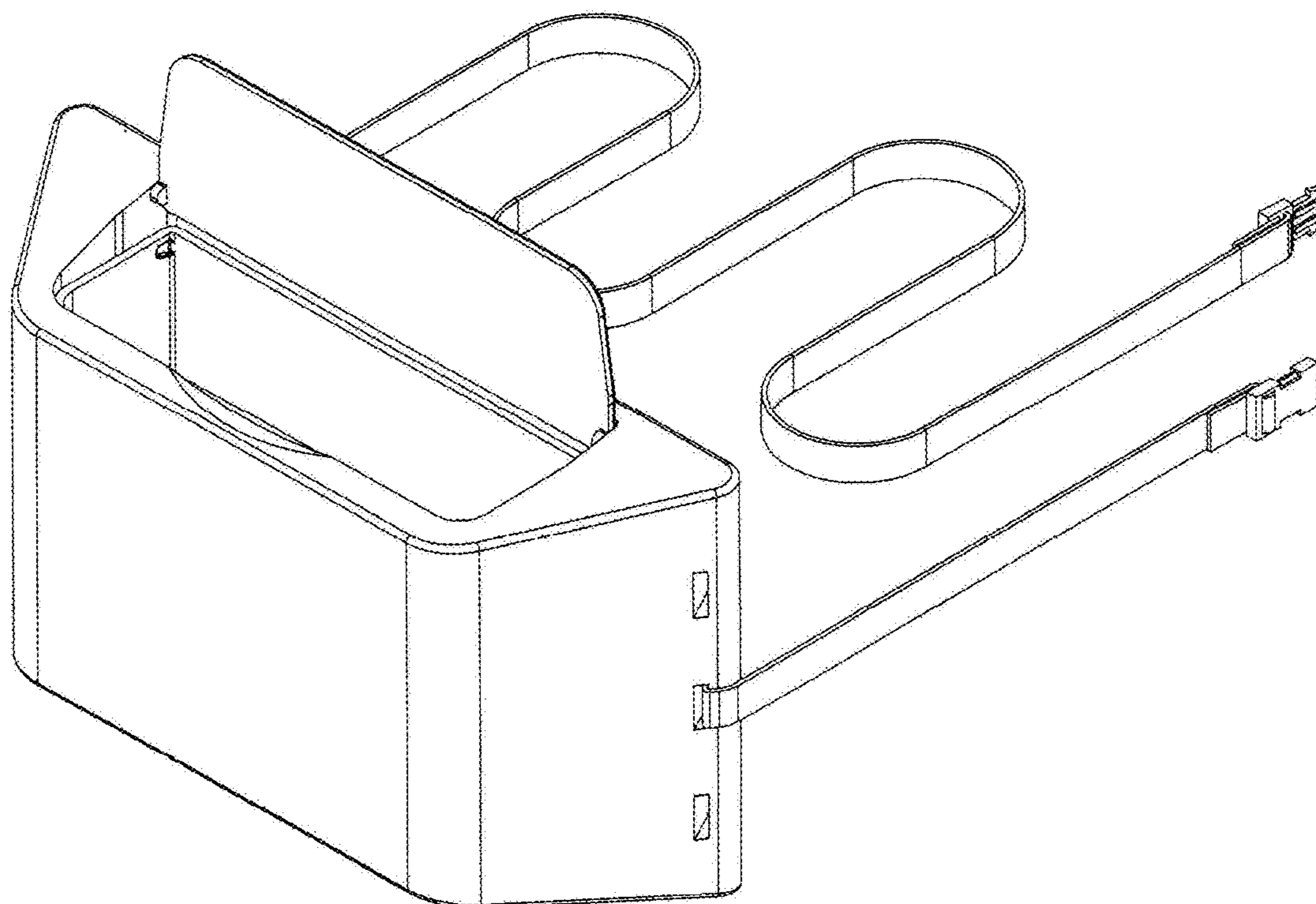


FIG. 3

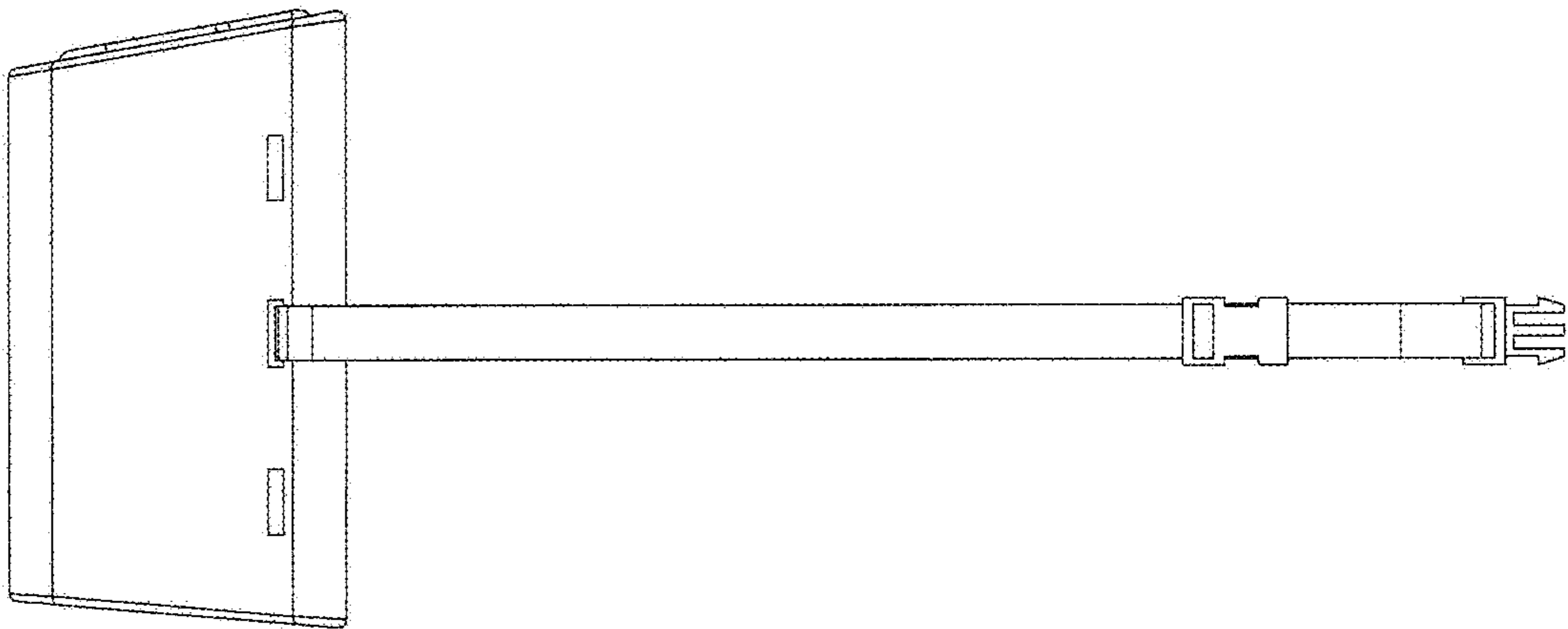


FIG. 4

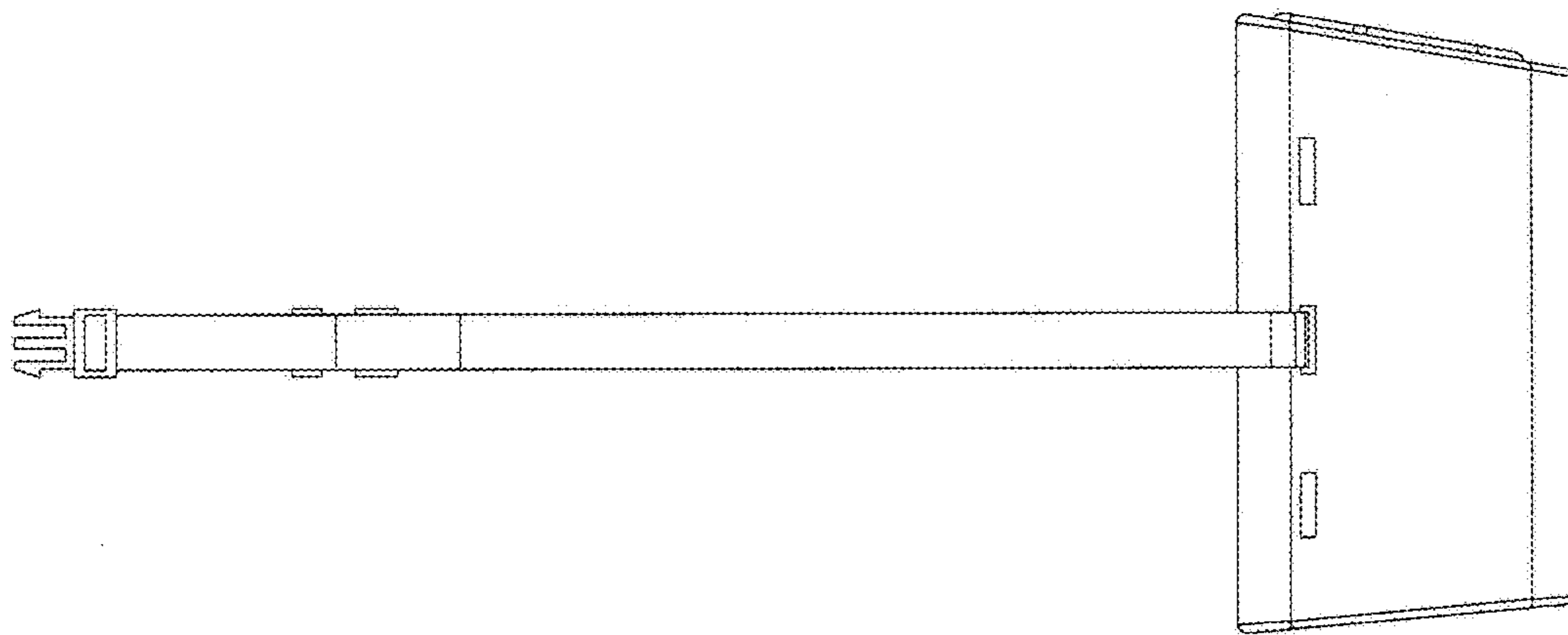


FIG. 5

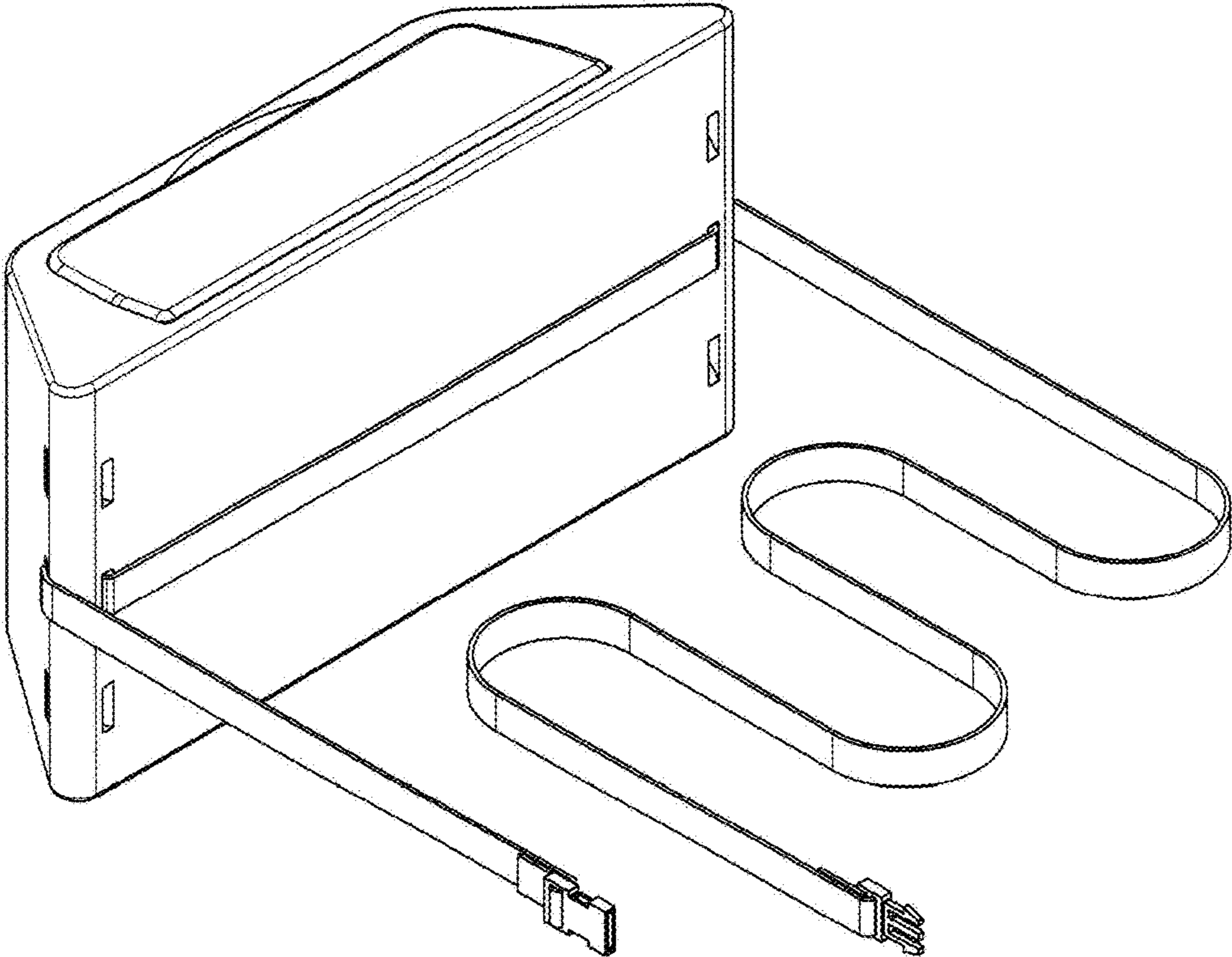


FIG. 6

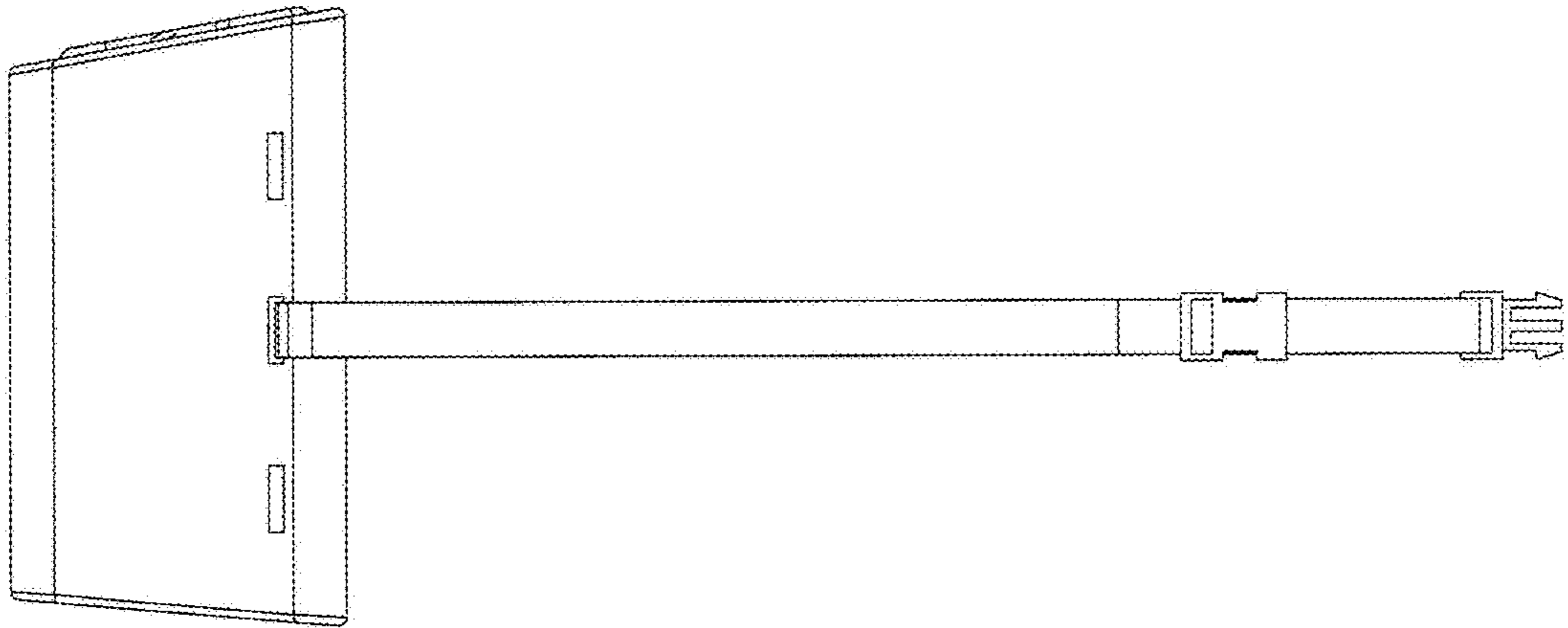


FIG. 7

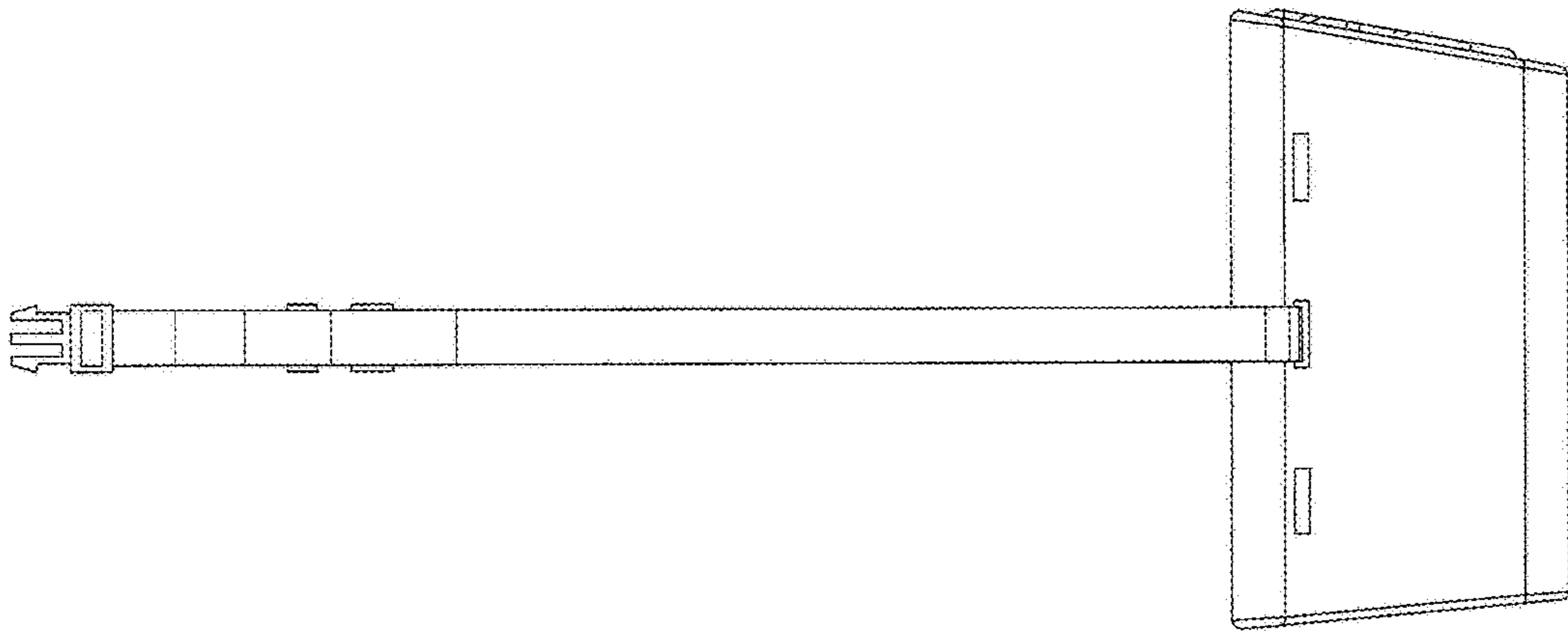


FIG. 8

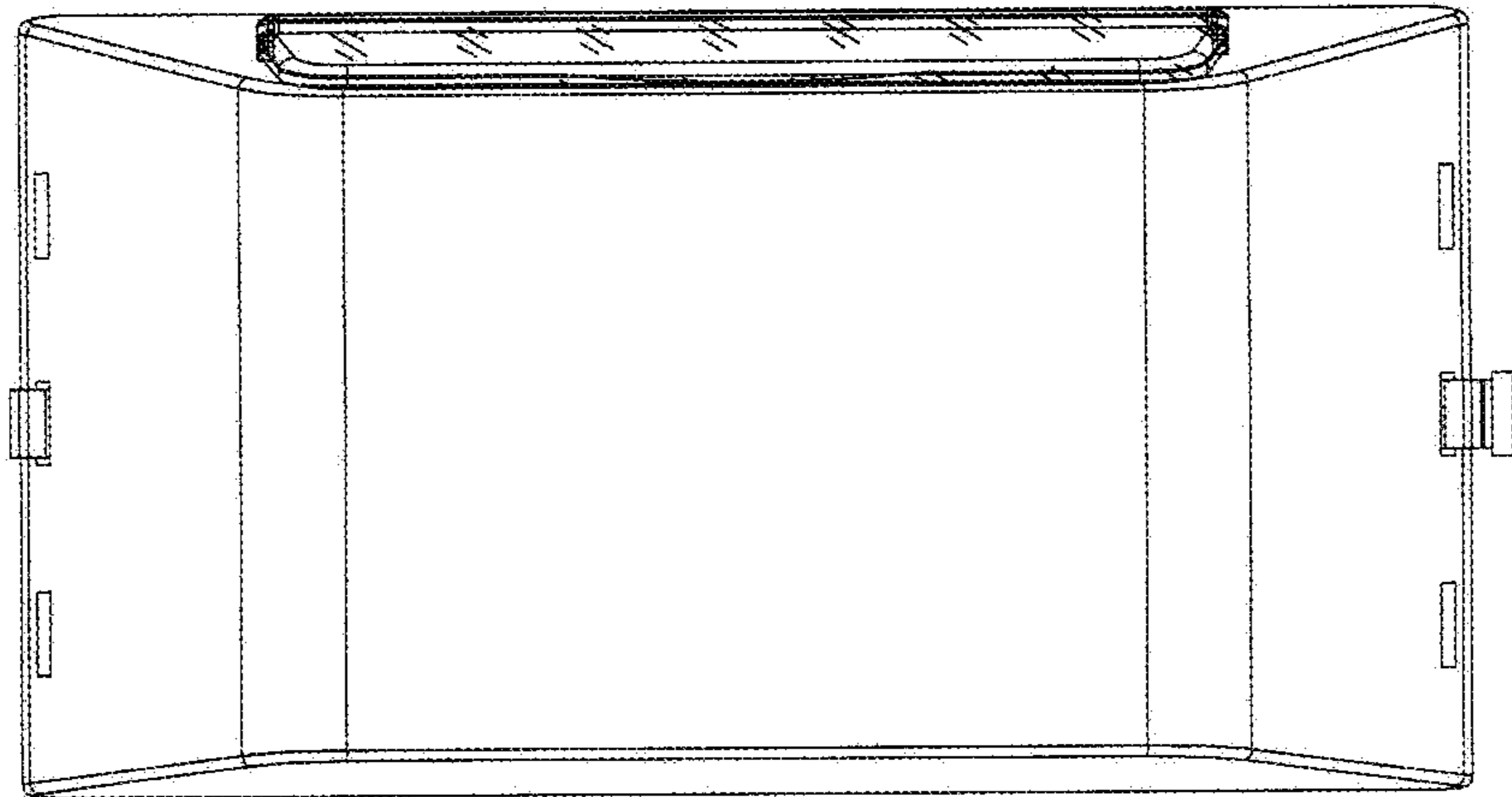


FIG. 9

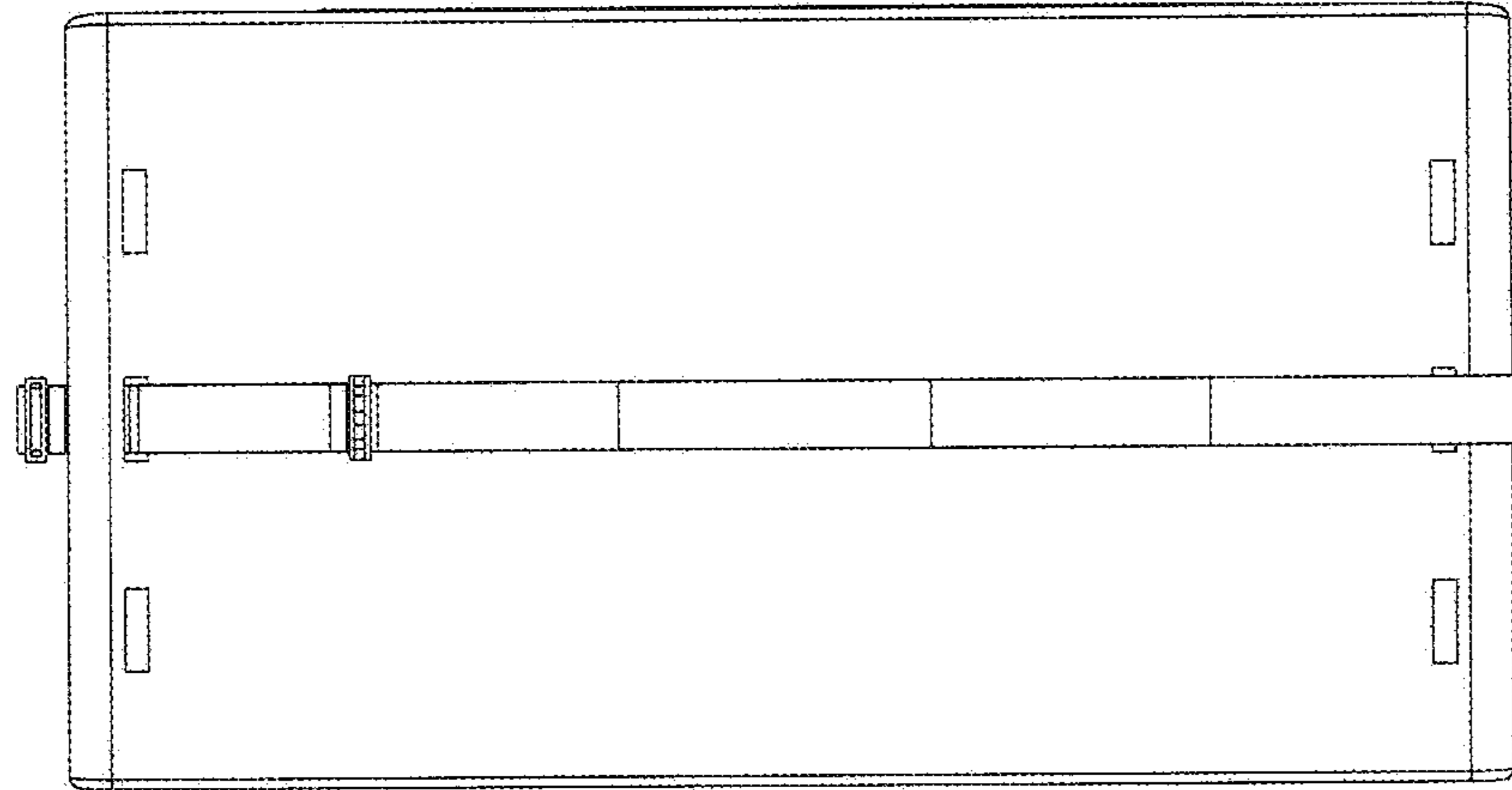


FIG. 10

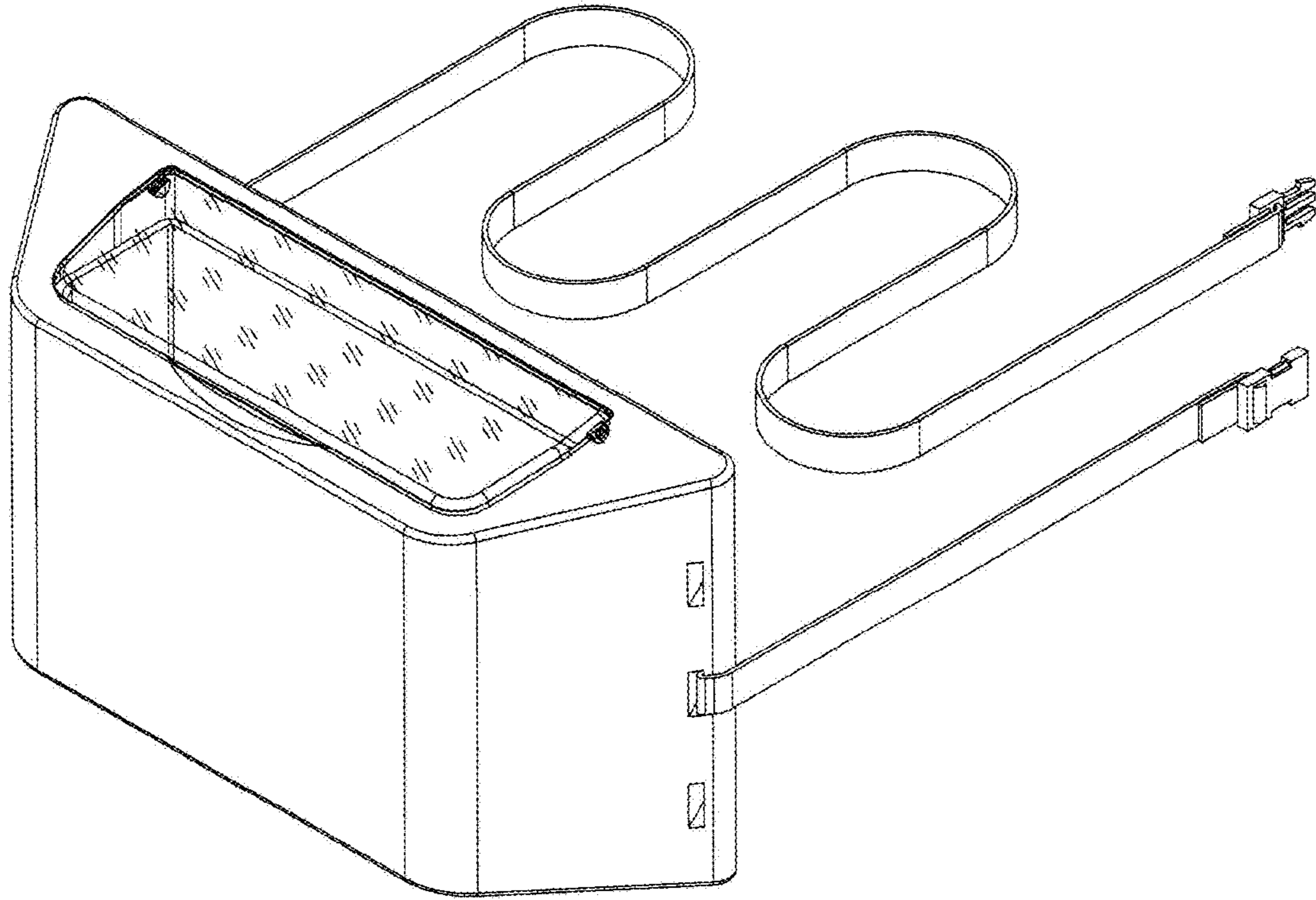


FIG. 11

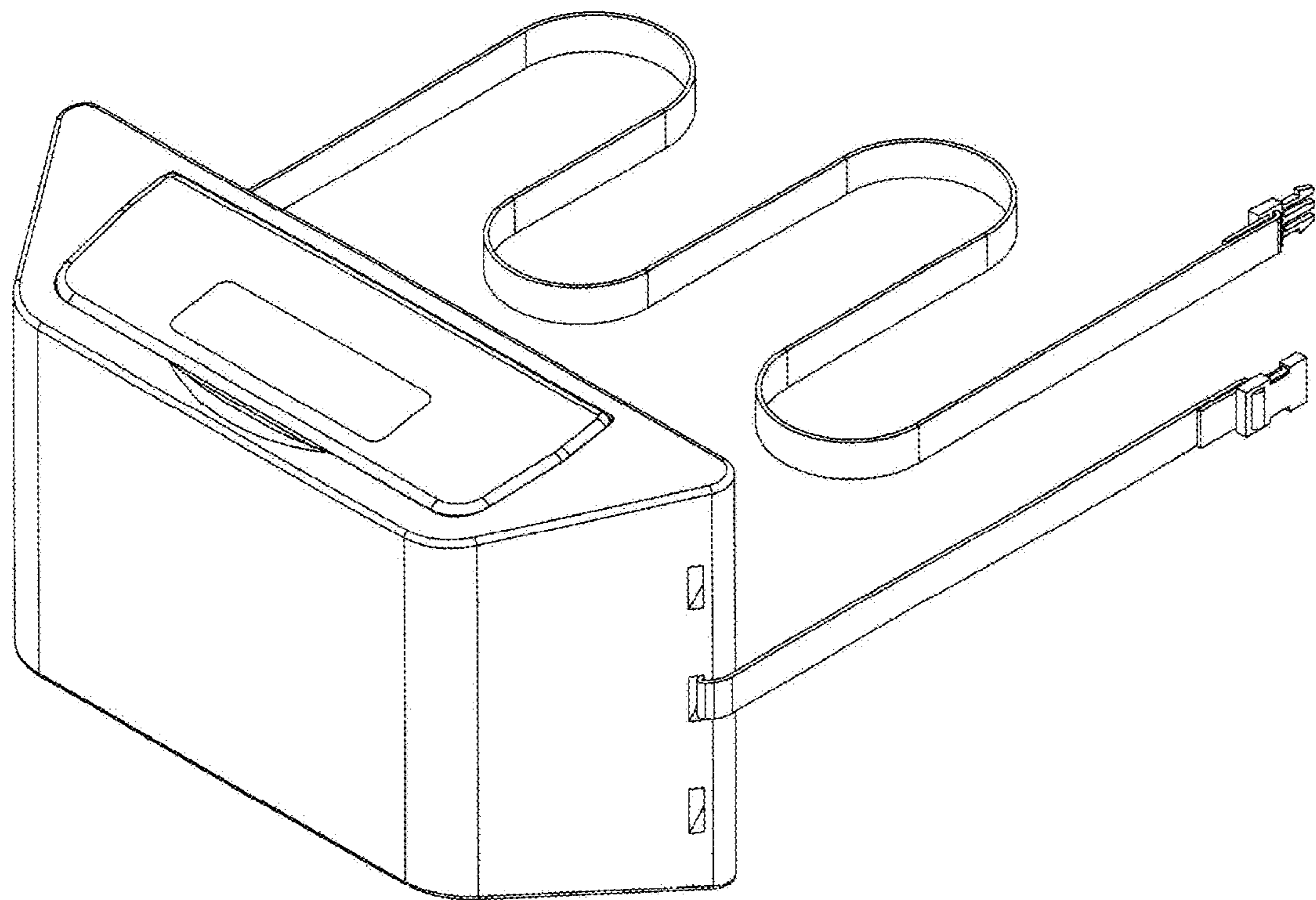


FIG. 12

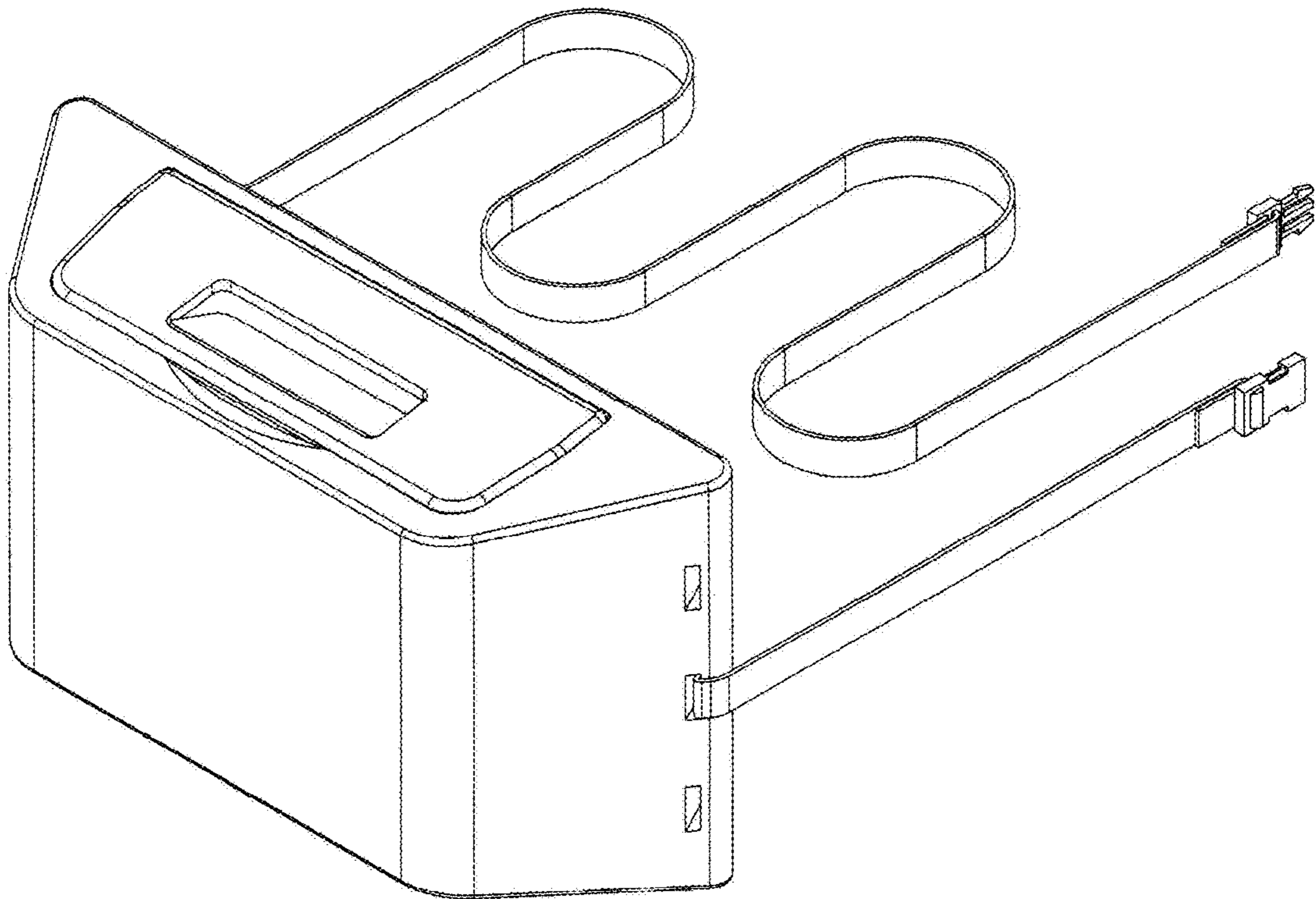


FIG. 13

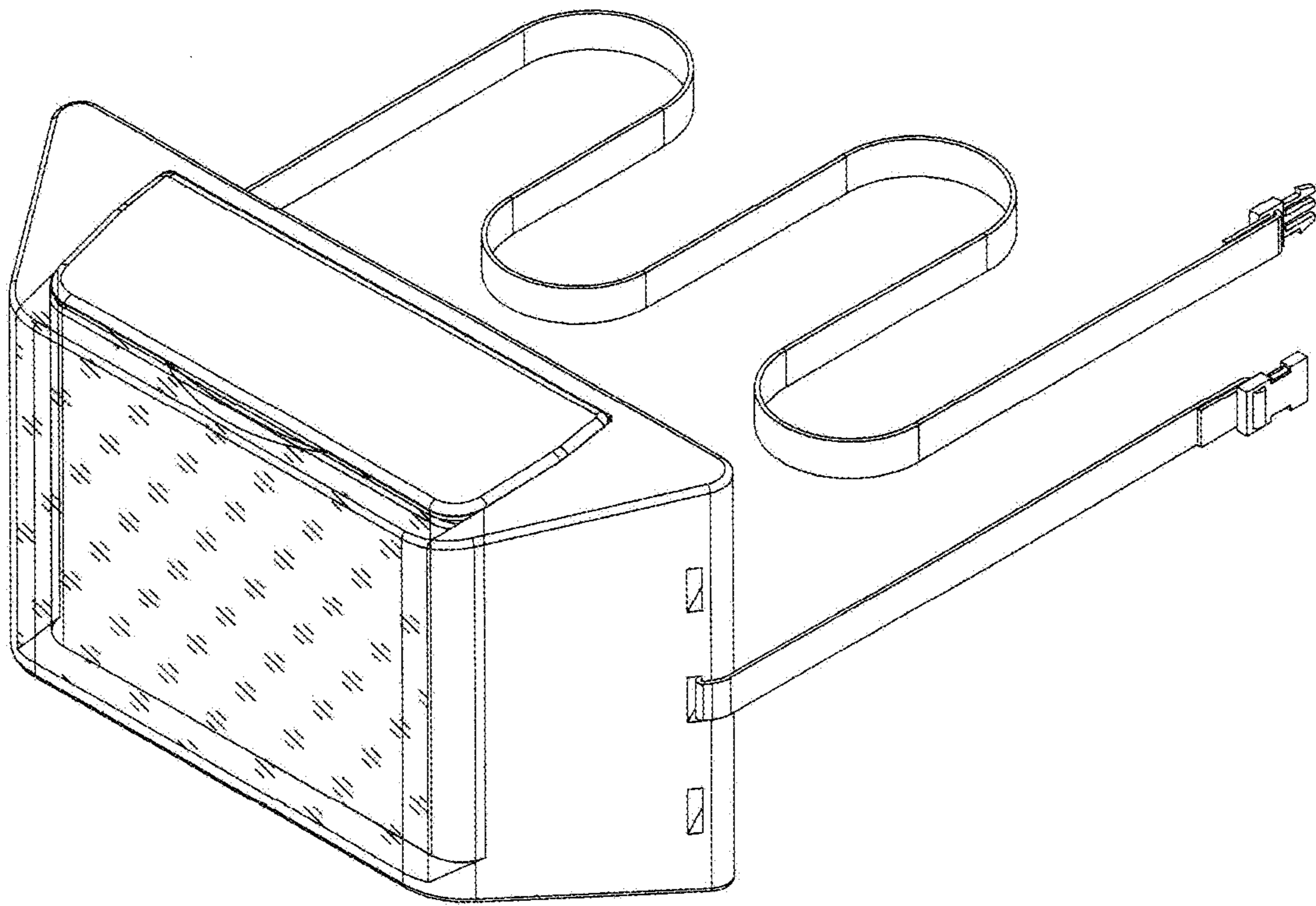


FIG. 14

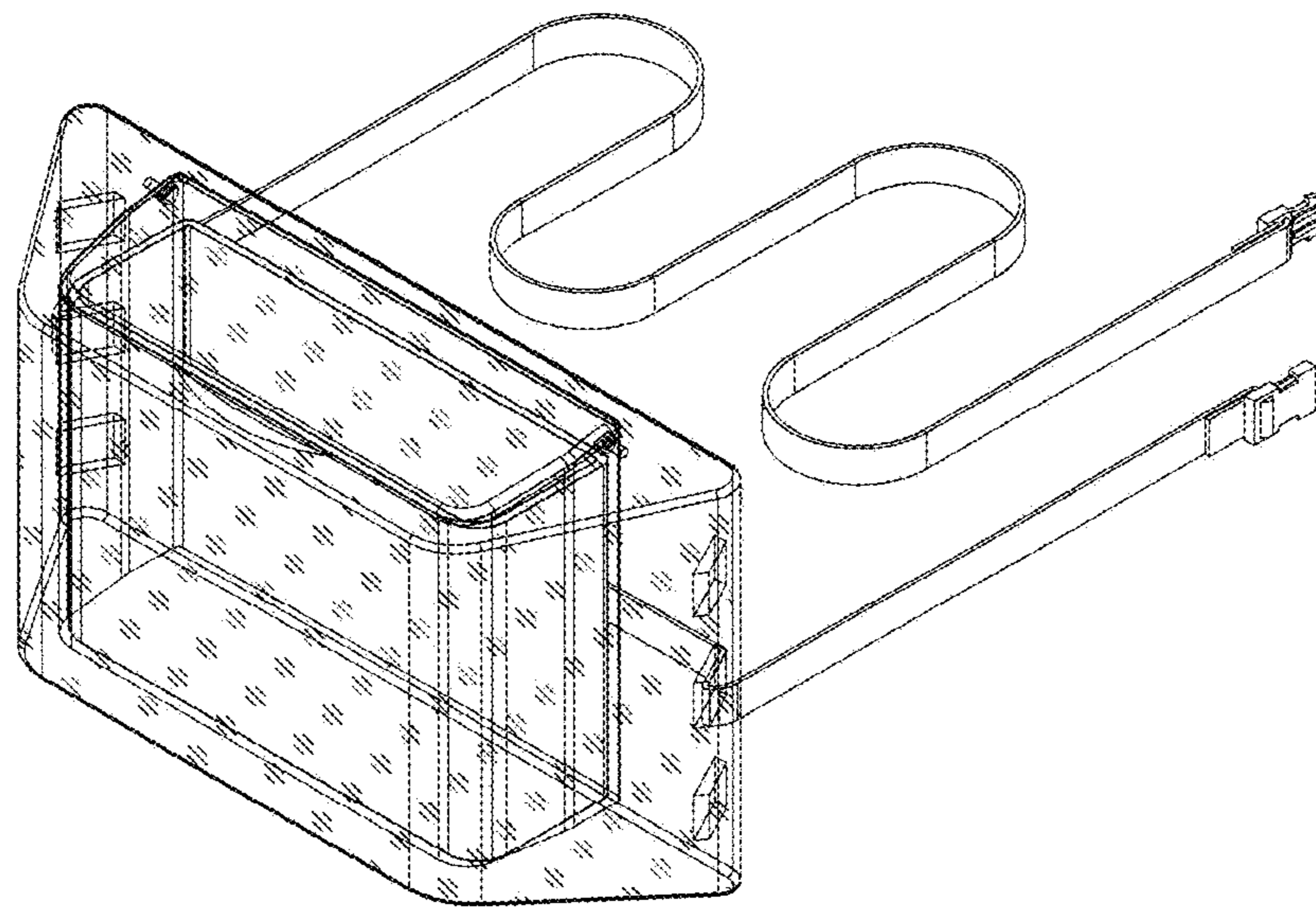


FIG. 15