



US00D786174S

(12) **United States Design Patent**
Godard et al.

(10) **Patent No.:** **US D786,174 S**

(45) **Date of Patent:** **** May 9, 2017**

(54) **CENTER CONSOLE FOR A MOTOR VEHICLE**

(71) Applicant: **Dr. Ing. h.c.F. Porsche Aktiengesellschaft**, Stuttgart (DE)

(72) Inventors: **Felix Godard**, Leonberg-Gebersheim (DE); **Thorsten Klein**, Grafenau (DE)

(73) Assignee: **DR. ING. H.C.F. PORSCHE AKTIENGESELLSCHAFT**, Stuttgart (DE)

(**) Term: **15 Years**

(21) Appl. No.: **29/547,256**

(22) Filed: **Dec. 2, 2015**

(30) **Foreign Application Priority Data**

Jun. 29, 2015 (DE) 40 2015 100 602

(51) **LOC (10) Cl.** **12-16**

(52) **U.S. Cl.**
USPC **D12/415**

(58) **Field of Classification Search**
USPC D12/415-420, 400, 191, 106, 195, 345, D12/96, 99
CPC B60R 7/04; B60R 7/08
See application file for complete search history.

(56) **References Cited**

U.S. PATENT DOCUMENTS

D359,266 S * 6/1995 Karp D12/419
6,616,206 B2 * 9/2003 Luginbill B60N 2/4646
224/539

D568,232 S * 5/2008 Motozaki D12/421
D713,324 S * 9/2014 Bose D12/415
D725,583 S * 3/2015 Seki D12/419
D739,337 S * 9/2015 Persson D12/415
9,199,579 B2 * 12/2015 Gillis B60R 7/04
D766,811 S * 9/2016 Shouno D12/419
D766,812 S * 9/2016 Kabata D12/423
D770,361 S * 11/2016 Chan D12/419
D773,380 S * 12/2016 Meissner D12/415

* cited by examiner

Primary Examiner — Katrina A Betton

(74) *Attorney, Agent, or Firm* — Gerald E. Hespos; Michael J. Porco; Matthew T. Hespos

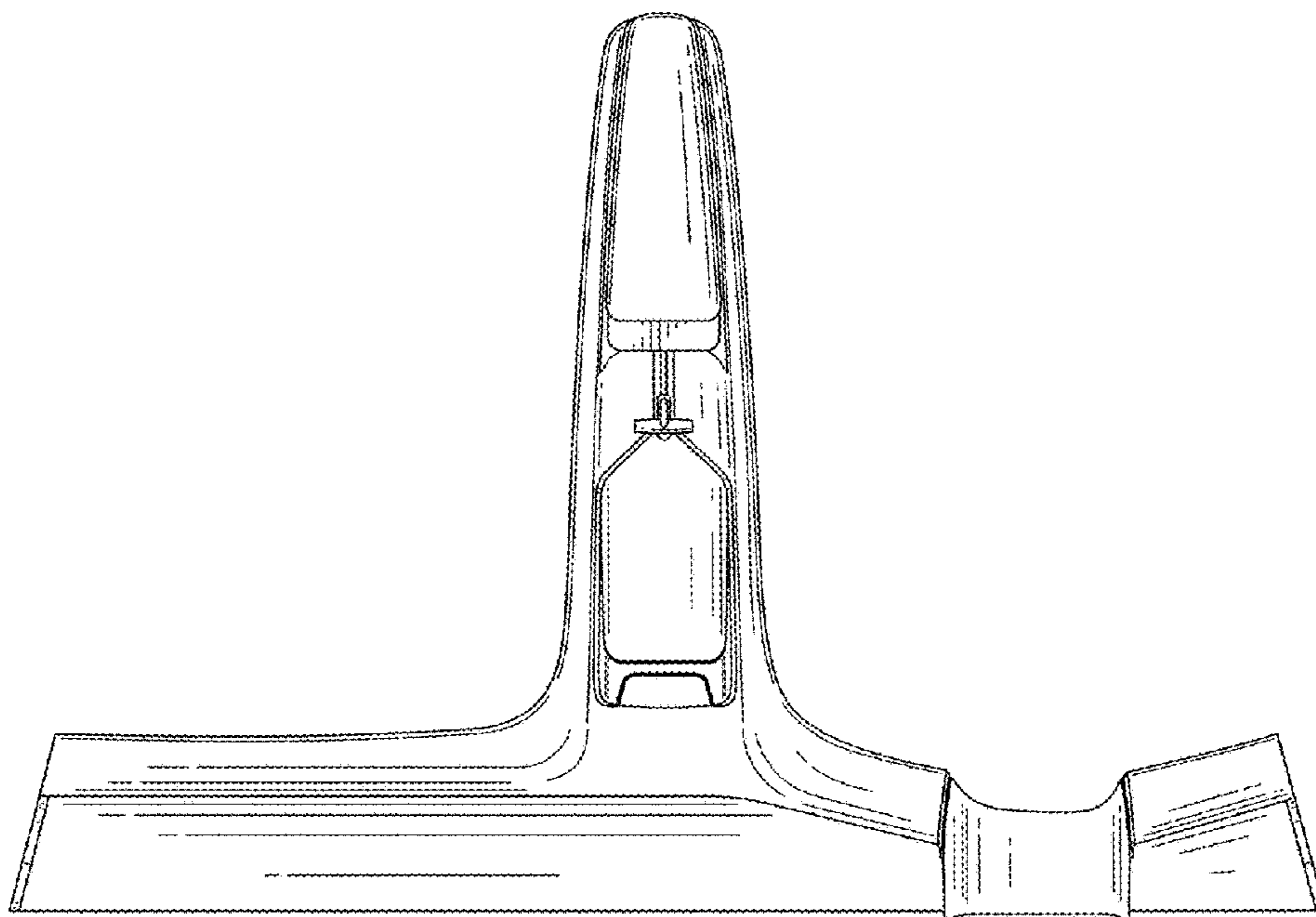
(57) **CLAIM**

The ornamental design of a center console for a motor vehicle, as shown and described.

DESCRIPTION

FIG. 1 is a front and side perspective of a center console for a motor vehicle in accordance with my design; FIG. 2 is a rear and side perspective thereof; FIG. 3 is a front elevational view thereof; FIG. 4 is a rear elevational view thereof; FIG. 5 is a side elevational view taken from the right side in FIG. 1; FIG. 6 is a side elevational view taken from the left side in FIG. 1; FIG. 7 is a top plan view thereof; and, FIG. 8 is a bottom plan view thereof.

1 Claim, 8 Drawing Sheets



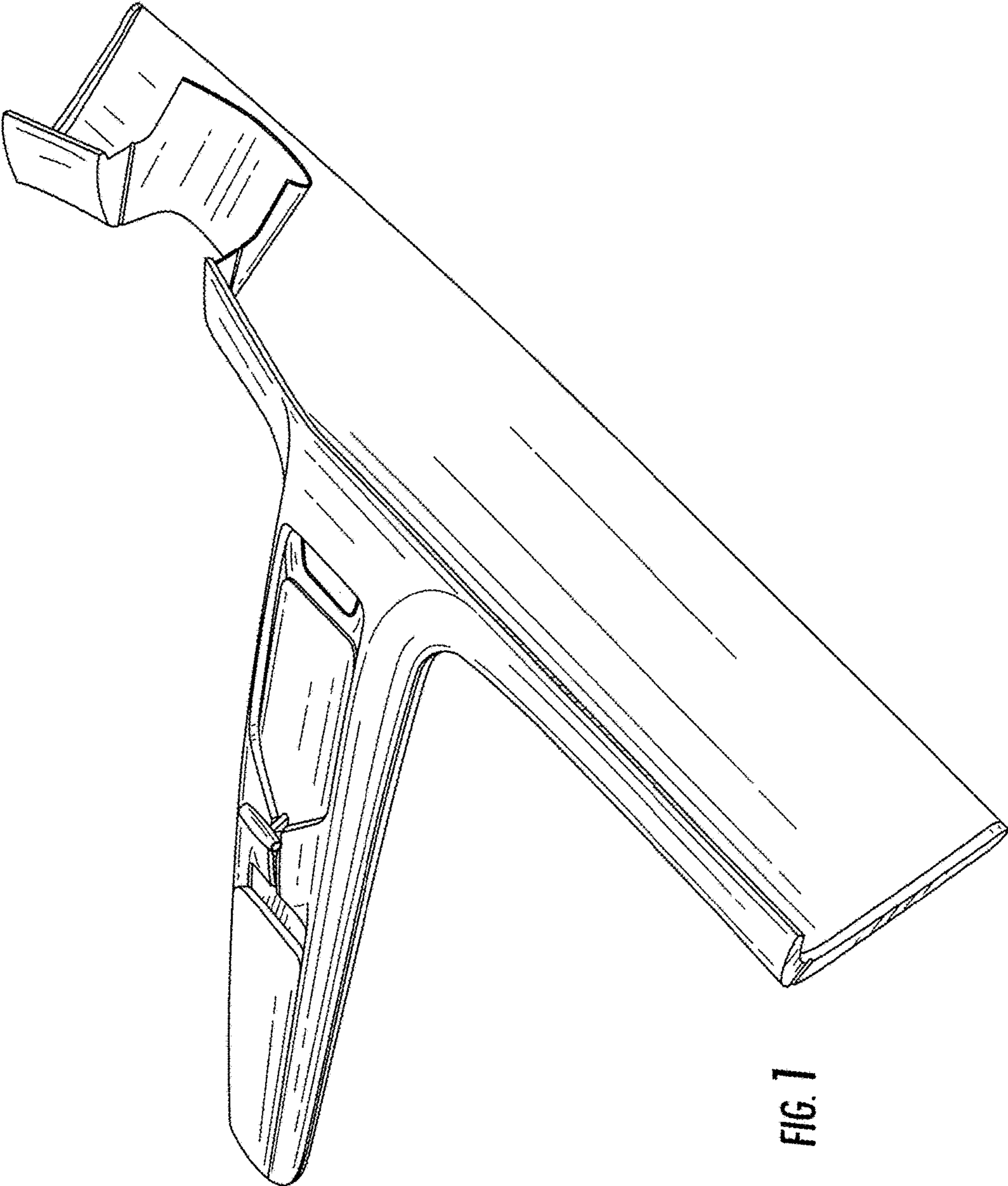


FIG. 1

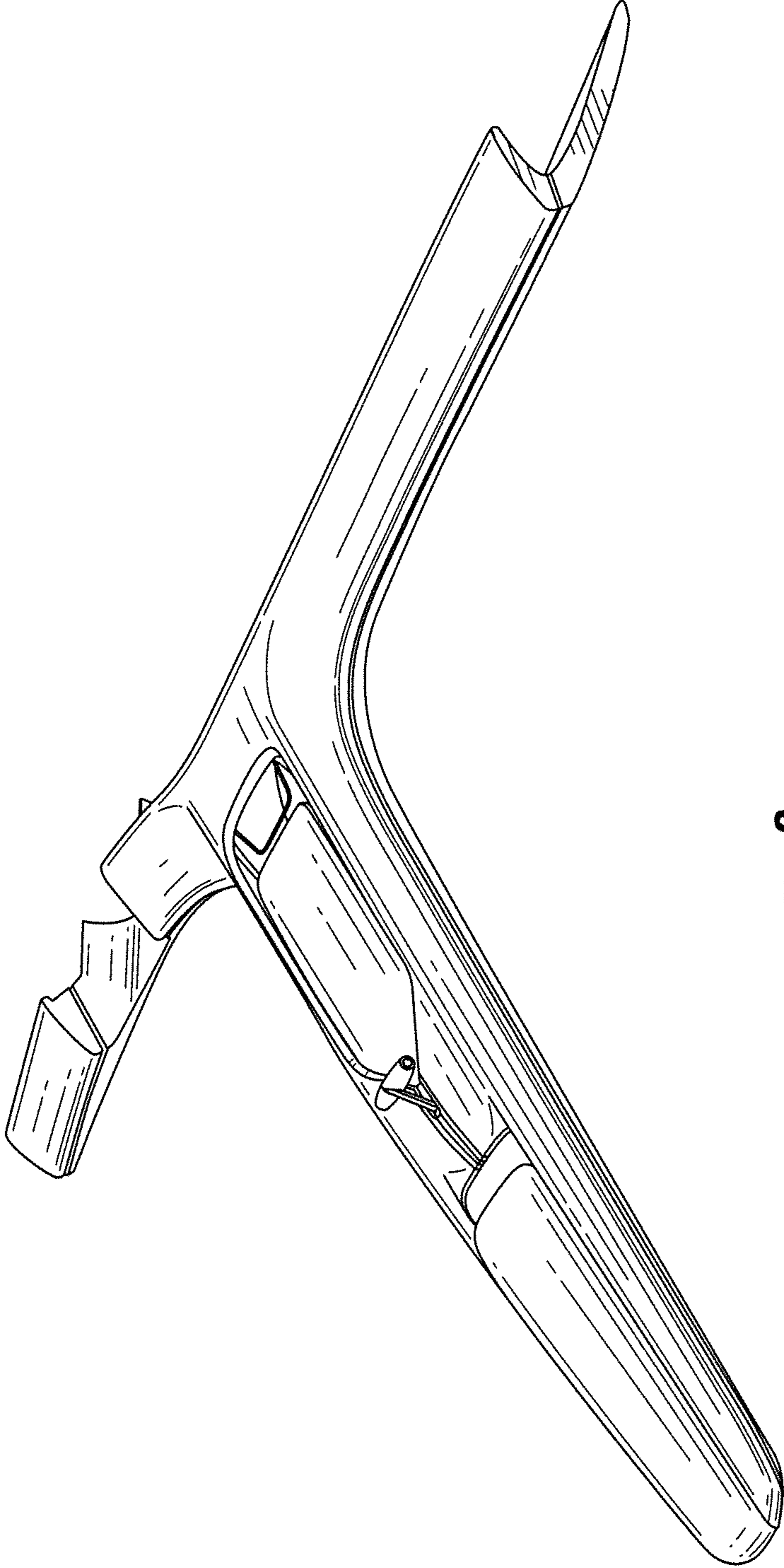


FIG. 2

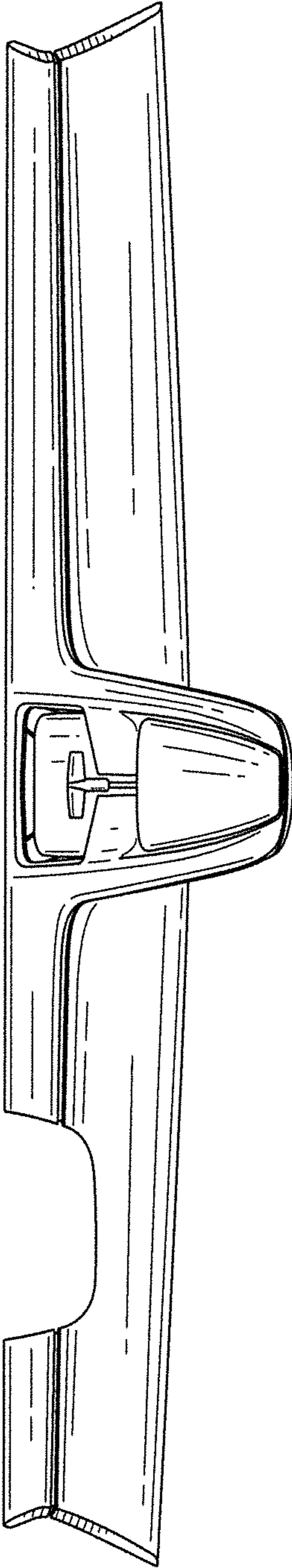


FIG. 3

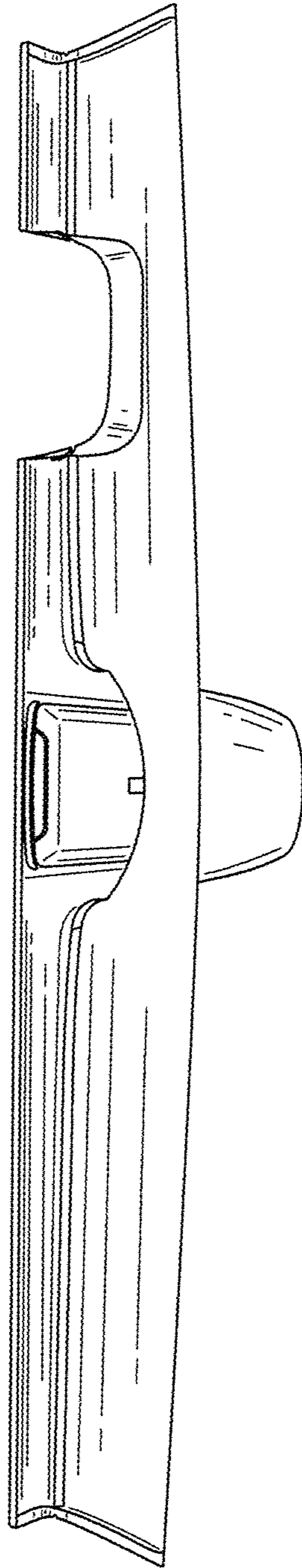


FIG. 4

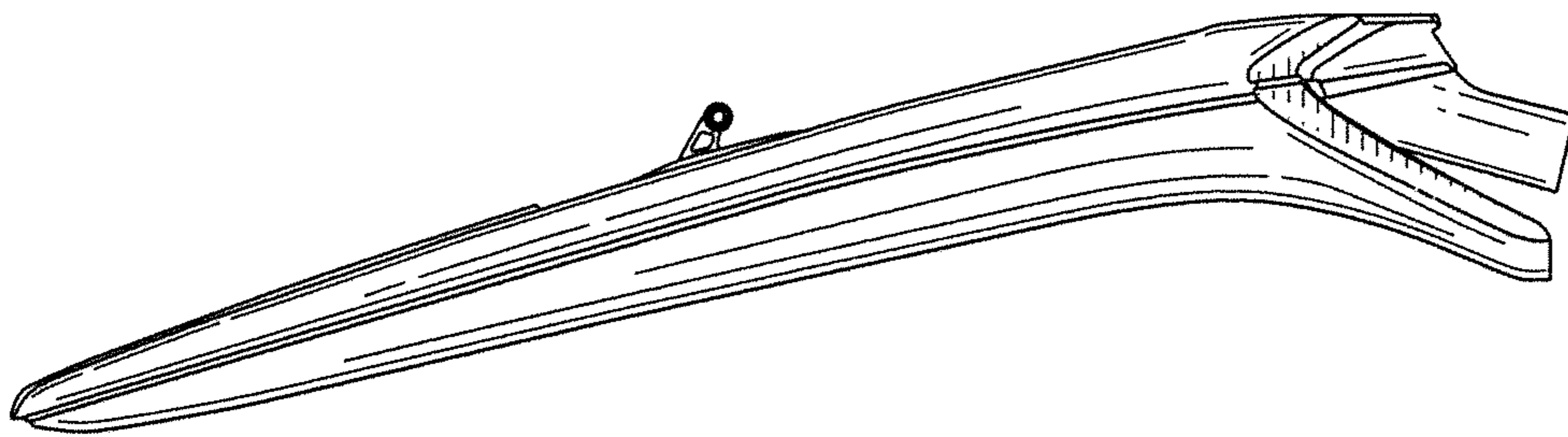


FIG. 5

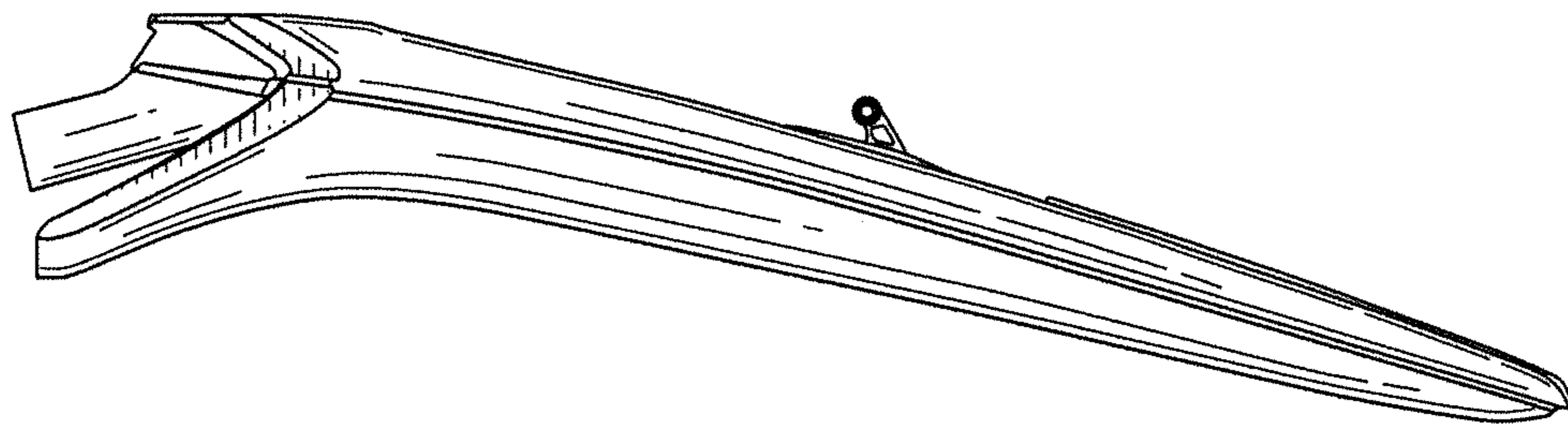


FIG. 6

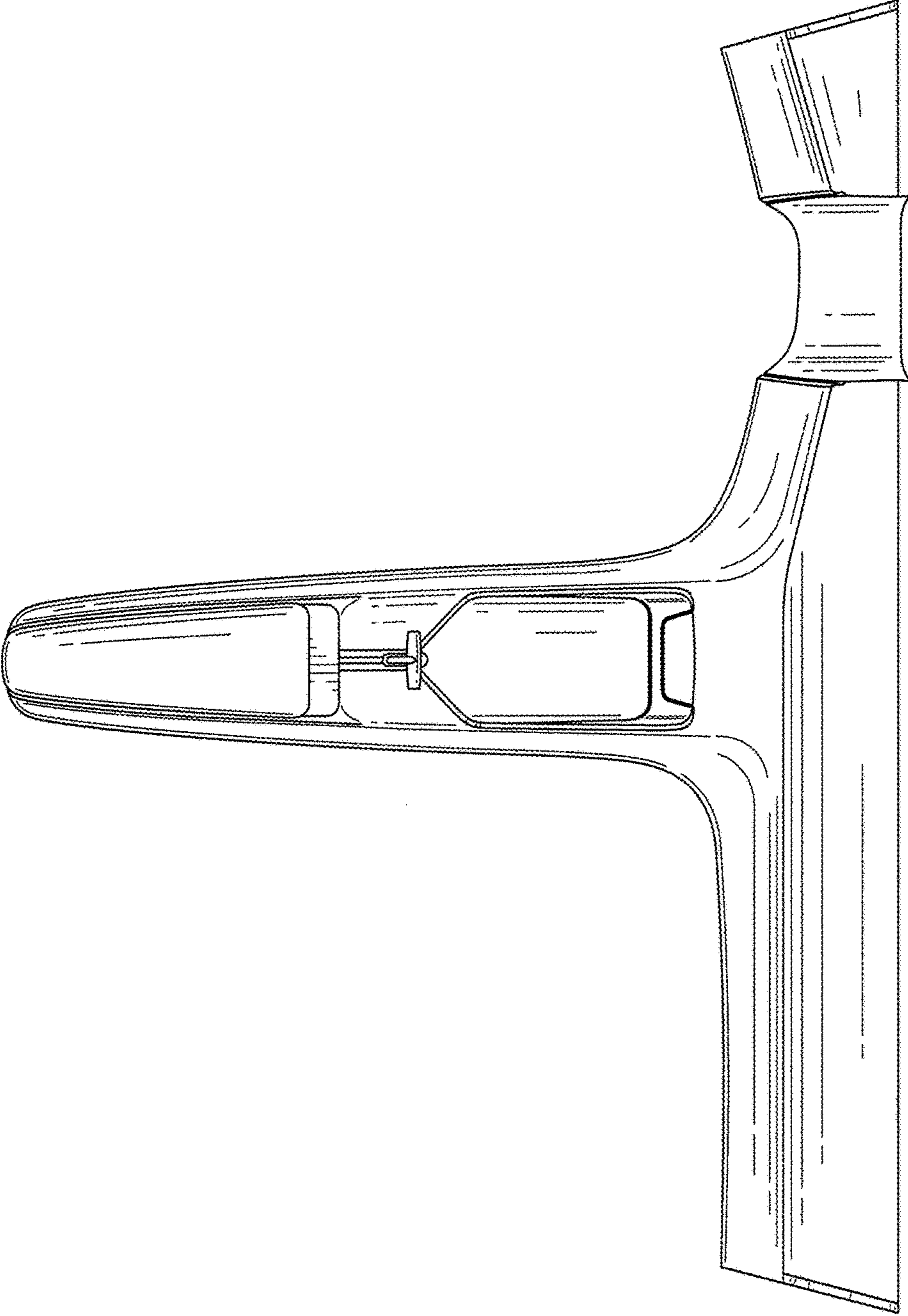


FIG. 7

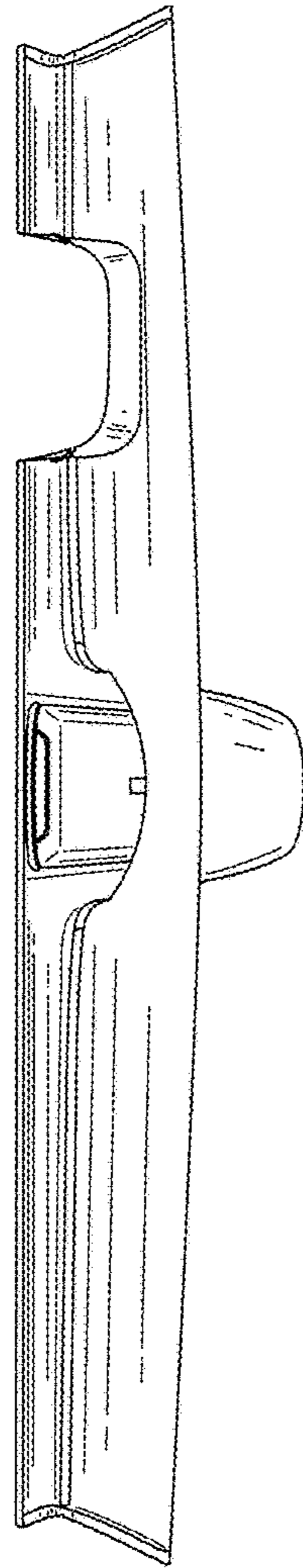


FIG. 8