



US00D786170S

(12) **United States Design Patent** (10) **Patent No.:** **US D786,170 S**
Corn (45) **Date of Patent:** **** May 9, 2017**

- (54) **BOATING ACCESSORY**
- (71) Applicant: **James F. Corn**, Kearney, MO (US)
- (72) Inventor: **James F. Corn**, Kearney, MO (US)
- (73) Assignee: **Sport Marine Technologies, Inc.**, Pilot Point, TX (US)
- (**) Term: **14 Years**
- (21) Appl. No.: **29/522,981**
- (22) Filed: **Apr. 6, 2015**

- 3,114,343 A 12/1963 Headrick et al.
- 3,139,853 A 7/1964 McCarthy et al.
- 3,209,716 A 10/1965 Hartley
- 3,211,119 A 10/1965 Kiekhaefer
- 3,343,512 A 9/1967 Ramussen
- 3,433,195 A 3/1969 Poole
- 3,765,356 A 10/1973 Cook

(Continued)

FOREIGN PATENT DOCUMENTS

- | | | |
|----|------------|---------|
| GB | 716879 | 10/1954 |
| SE | 226596 | 5/1969 |
| WO | 2007047257 | 4/2007 |

OTHER PUBLICATIONS

Portion of front of package insert, XRIII hydrofoil, dated 2007 from Marine Dynamics, Inc.

(Continued)

Primary Examiner — Cynthia M Chin

(74) *Attorney, Agent, or Firm* — Law Office of William Gustavson, PC

Related U.S. Application Data

- (62) Division of application No. 29/455,241, filed on May 17, 2013, now Pat. No. Des. 728,444.
- (51) **LOC (10) Cl.** **12-06**
- (52) **U.S. Cl.**
USPC **D12/317**
- (58) **Field of Classification Search**
USPC D12/300, 308, 309, 316, 317; 114/125, 114/126, 300, 312, 315, 322, 330-333, 114/337, 274-280, 281, 285-287; 440/6, 440/33, 42, 51, 65, 66, 71, 76, 80
CPC B63H 20/34; B63H 5/16; B63H 5/165; F02B 61/045; B63B 39/061; B63B 1/24; B63B 1/242; B63B 1/248; B63B 1/26; B63B 1/28
See application file for complete search history.

(57) **CLAIM**

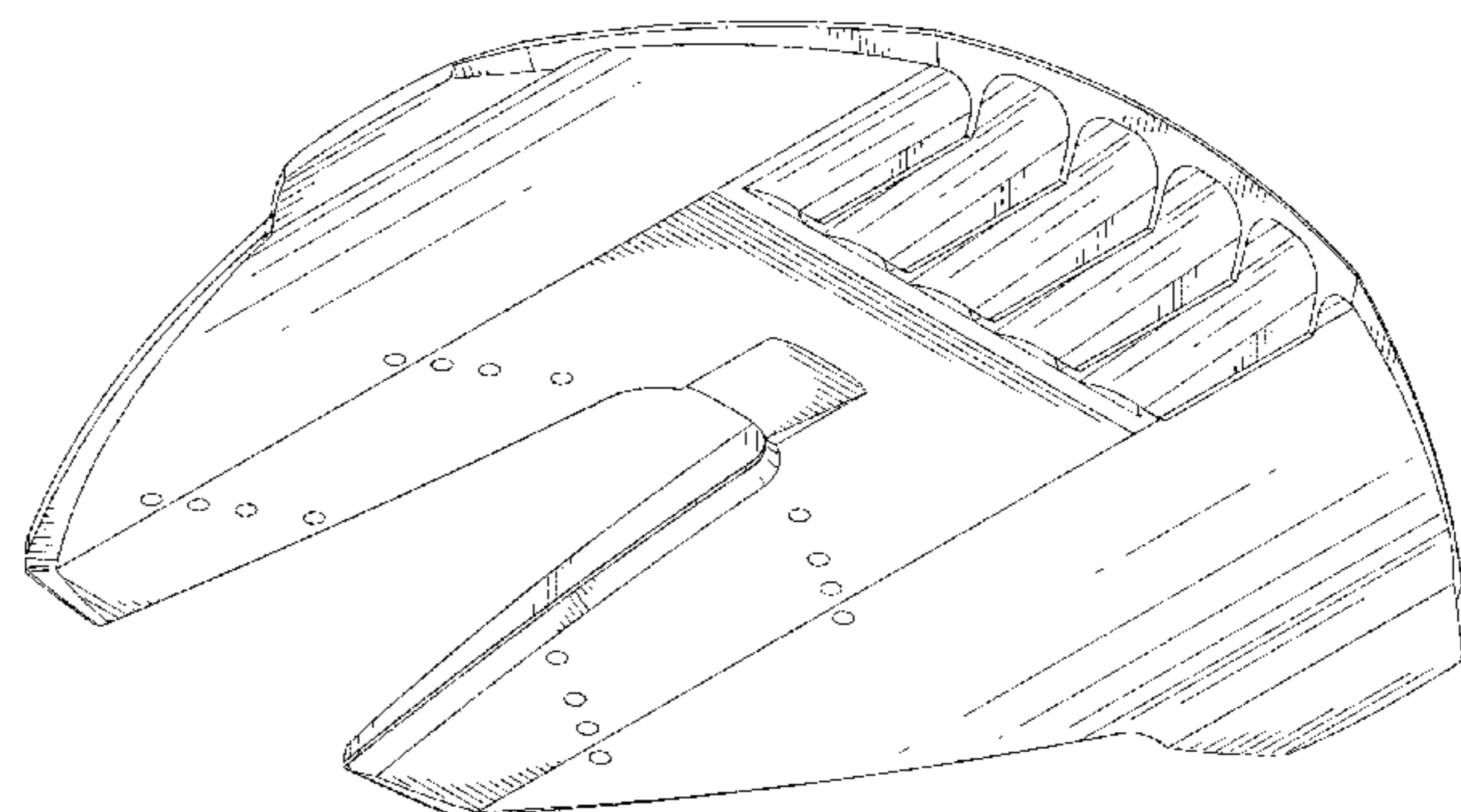
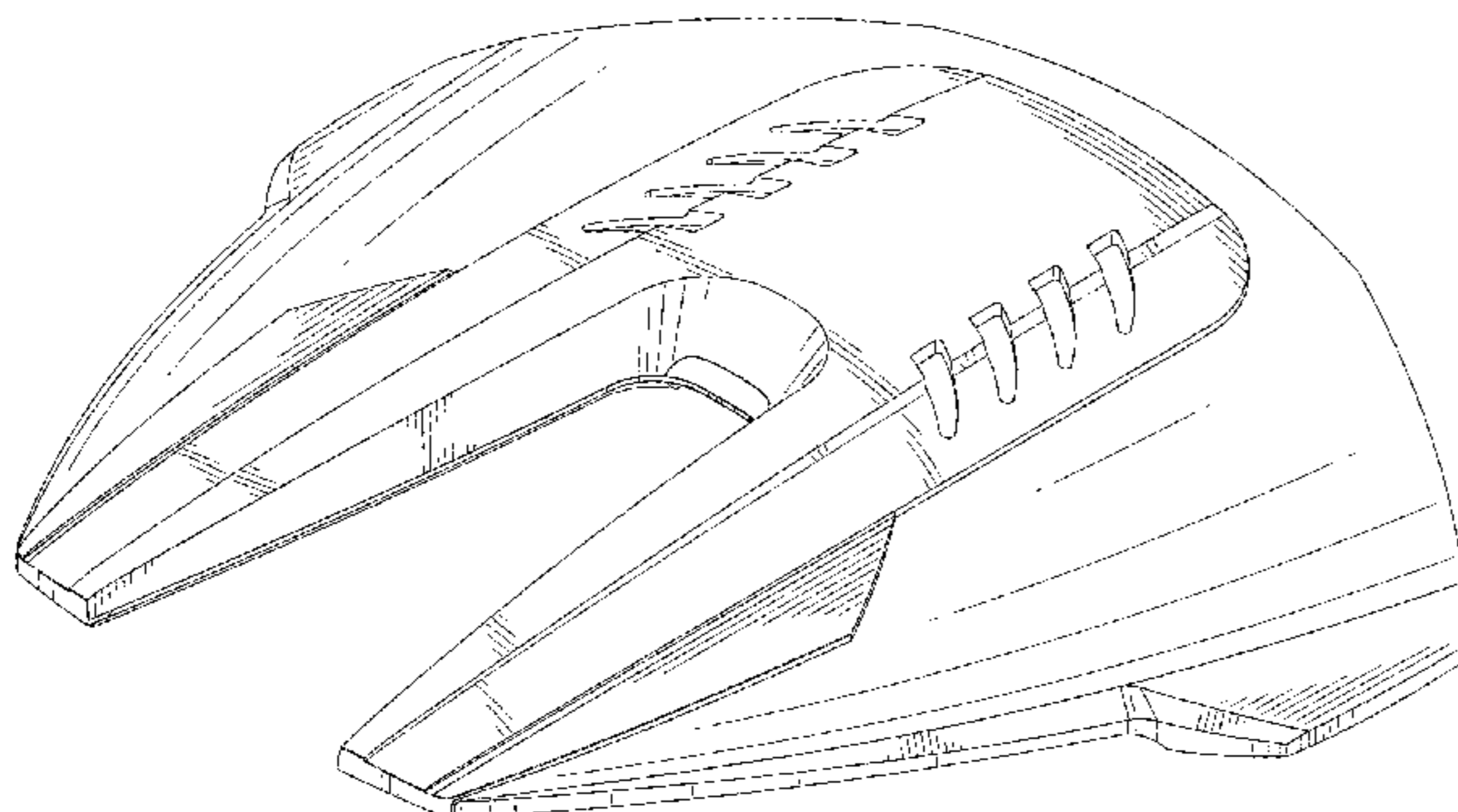
The ornamental design for a boating accessory, as shown and described.

DESCRIPTION

FIG. 1 is a perspective top view of a boating accessory embodying my design, the boating accessory for mounting on the anti-ventilation plate of an outboard motor, stemdrive, trolling motor or trolling plate;
 FIG. 2 is a front view thereof;
 FIG. 3 is a rear view thereof;
 FIG. 4 is a left side view thereof;
 FIG. 5 is a right side view thereof;
 FIG. 6 is a top view thereof;
 FIG. 7 is a bottom view thereof; and,
 FIG. 8 is a perspective bottom view thereof.

1 Claim, 6 Drawing Sheets

- (56) **References Cited**
U.S. PATENT DOCUMENTS
1,226,400 A 5/1917 Smith
2,319,640 A 5/1943 Sink
2,963,000 A 12/1960 Fester
2,983,246 A 5/1961 Manley
2,998,795 A 9/1961 Downie et al.
3,035,538 A 5/1962 Willard
3,099,240 A 7/1963 Montague, Jr.



(56)

References Cited

OTHER PUBLICATIONS

U.S. PATENT DOCUMENTS

3,817,202 A 6/1974 Holtermann
 3,955,527 A 5/1976 Holtermann
 3,964,417 A 6/1976 Williams et al.
 4,040,373 A 8/1977 Jones, Jr.
 4,100,876 A 7/1978 Feleus
 4,205,618 A 6/1980 Olsson
 4,304,557 A 12/1981 Henrich
 4,323,355 A 4/1982 Kondo
 D271,582 S 11/1983 Knowles
 4,487,152 A 12/1984 Larson
 4,597,742 A 7/1986 Finkl
 4,637,801 A 1/1987 Schultz
 4,680,017 A 7/1987 Eller
 4,708,672 A 11/1987 Bentz et al.
 4,738,644 A 4/1988 Happel
 4,744,779 A 5/1988 Koehler
 4,756,265 A 7/1988 Lane
 4,832,634 A 5/1989 Kearns
 D307,130 S 4/1990 Ellis
 D308,851 S 6/1990 Templeman
 D311,513 S 10/1990 Templeman
 4,968,275 A 11/1990 Carlson
 4,977,847 A 12/1990 Bartlett
 4,995,840 A 2/1991 Seale et al.
 5,048,449 A 9/1991 Templeman
 5,107,786 A 4/1992 Templeman
 D328,732 S 8/1992 Whitley et al.
 5,138,966 A 8/1992 Whitley et al.
 D331,738 S 12/1992 Simpson
 5,178,089 A 1/1993 Hodel
 5,203,275 A 4/1993 Brauner et al.
 5,231,950 A 8/1993 Poulos
 5,307,754 A 5/1994 Leonardis
 D351,129 S 10/1994 Templeman
 D352,023 S 11/1994 Corn
 5,396,860 A 3/1995 Cheng
 5,425,663 A 6/1995 Meisenburg et al.
 D363,914 S 11/1995 Corn
 5,493,990 A 2/1996 Dyer
 5,588,390 A 12/1996 French
 5,638,765 A 6/1997 Poulos
 5,673,643 A 10/1997 Poppa
 5,848,922 A 12/1998 Itima et al.
 6,503,110 B2 1/2003 Lamlli
 D487,245 S 3/2004 Geriene et al.
 D492,242 S 6/2004 Geriene et al.
 6,948,441 B2 9/2005 Levine
 7,011,559 B1 3/2006 Moldenhauer
 D533,497 S 12/2006 Templeman
 7,232,355 B2 6/2007 Woolley
 7,270,584 B1 9/2007 Mitchell
 D589,866 S 4/2009 Templeman et al.
 D590,760 S 4/2009 Templeman et al.
 7,520,238 B2 4/2009 Patterson
 D591,664 S 5/2009 Corn
 7,568,443 B2 8/2009 Walker
 D615,475 S 5/2010 Corn
 D640,179 S 6/2011 Corn
 8,043,135 B1 10/2011 Corn
 8,302,549 B2 * 11/2012 Templeman B63H 20/34
 114/274
 8,312,831 B2 * 11/2012 Templeman B63B 1/242
 114/274
 8,636,553 B1 1/2014 Corn
 9,120,534 B1 * 9/2015 Corn B63H 20/34
 D763,777 S * 8/2016 Templeman D12/317
 2009/0314195 A1 12/2009 Templeman et al.
 2011/0315063 A1 12/2011 Templeman et al.

Portion of back of package insert, XRIII hydrofoil, dated 2007 from Marine Dynamics, Inc.
 Internet catalog of Marine Dynamics, Inc. downloaded 2008.
 Article, Hydrofoils: How Good Are They? Trailer Boats, Apr. 1994; cover, pp. 64-69.
 Article, Hydrofoils: How Good Are They? by Jim Barron, 1994.
 Advertisement, Trailer Boats, p. 130 Sting Ray Hydrofoil Stabilizer, 1988.
 Advertisement, Bass Pro, p. 100, 1988.
 Advertisement, p. 36, 1991.
 Article, Rig for Range by John L. Beath, Trailer Boats, May 31, 2005.
 Article, Fin Fight by Jim Barron, Bass & Walleye Boats, Winter 1994 pp. 40-43.
 Article, 10 Cures for Poor Holedshot by John Tiger, Jr., Bass & Walleye Boats, Feb. 2000, pp. 54-56.
 Tech Letter re SE Sport hydrofoil, Trailer Boats, Aug. 2005, p. 76.
 Ad, SE Sport hydrofoil, Go Boating, Apr. 2006, p. 36.
 Ad, XR hydrofoil, Boating Life, Feb. 2006, p. 94.
 Atlantic Watercraft, Inc. Catalog entitled "Revised IMTEC Edition", Published 1994, Place of Publication United States.
 Advertisement, Doel-fin Boat Stabilizer, Doelcher Products, p. 5, Bass & Walleye Boat Magazine, Published Oct. 1994, Place of publication United States.
 Advertisement, Marine Dynamics, Inc., entitled "The Hydrofoil of Choice", p. 12, Bass & Walleye Boat Magazine, Published Oct. 1994, Place of publication United States.
 Advertisement, Sport Marine Technologies, Inc., p. 82, Bass & Walleye Boat Magazine, Published Oct. 1994, Place of publication United States.
 Advertisement, Sport Marine Technologies, Inc., Mar. 2011.
 Item 1, Marine Dynamics, Inc. 2009 Catalog, 16 pgs.
 IScreen shot from Internet of Perma Trim device. The Perma Trim device was commercially available in U.S. prior to 2010.
 Item 3, U.S. Appl. No. 60/728,345, filed Oct. 19, 2005, Inventor Templeman, 12 pgs.
 Item 4, Photograph of Cobra Edge device. The Cobra Edge device was commercially available in U.S. prior to 2010.
 Item 5, Two Photographs of modified Cobra Edge device downloaded from Internet, believed to have been uploaded to the Internet on May 14, 2009.
 Item 6A, Photographs of Turbo Lift device, Item 6B brochure of Turbo Lift device 4 pgs. and Item 6C, photographs and text. 16 pgs, of Turbo Lift device. The Turbo Lift device was commercially available in U.S. prior to 2010.
 Item 7A brochure Aug. 2005, 2 pgs, of Whale Tail device, and Item 7B photograph of Whale Tail device. The Whale Tail device was commercially available in U.S. prior to 2010.
 A page from Marine Industrial Supply catalog dated prior to 2010.
 Page 299 from Coast Distributors catalog dated prior to 2010.
 Ad from Marine Dynamics, Inc., date unknown.
 Advertisement, Sting Ray Hydrofoil Stabilizer, IMTEC 1994.
 Article, Build Your Own Ski Boat, Waterski, Nov./Dec. 1994, Author Pierce Hoover.
 Advertisement, Doel-fin Boat Stabilizer, Doelcher Products, Inc., 1979.
 Article, Doel fin Not Just Another Gadget, Jul. 1979.
 Advertisement, Break Through of Doel fin Stabilizer, 1979.
 Advertisement, Hydrofoil G.T., Hydrofoil International Corp. 1994.
 Advertisement, Sting Ray Hydrofoil Stabilizer, 1988, Marine Dynamics, Inc.
 Ad from Cabella's website for XR High Performance Hydrofoil Stabilizer, downloaded from Internet early 2006.

* cited by examiner

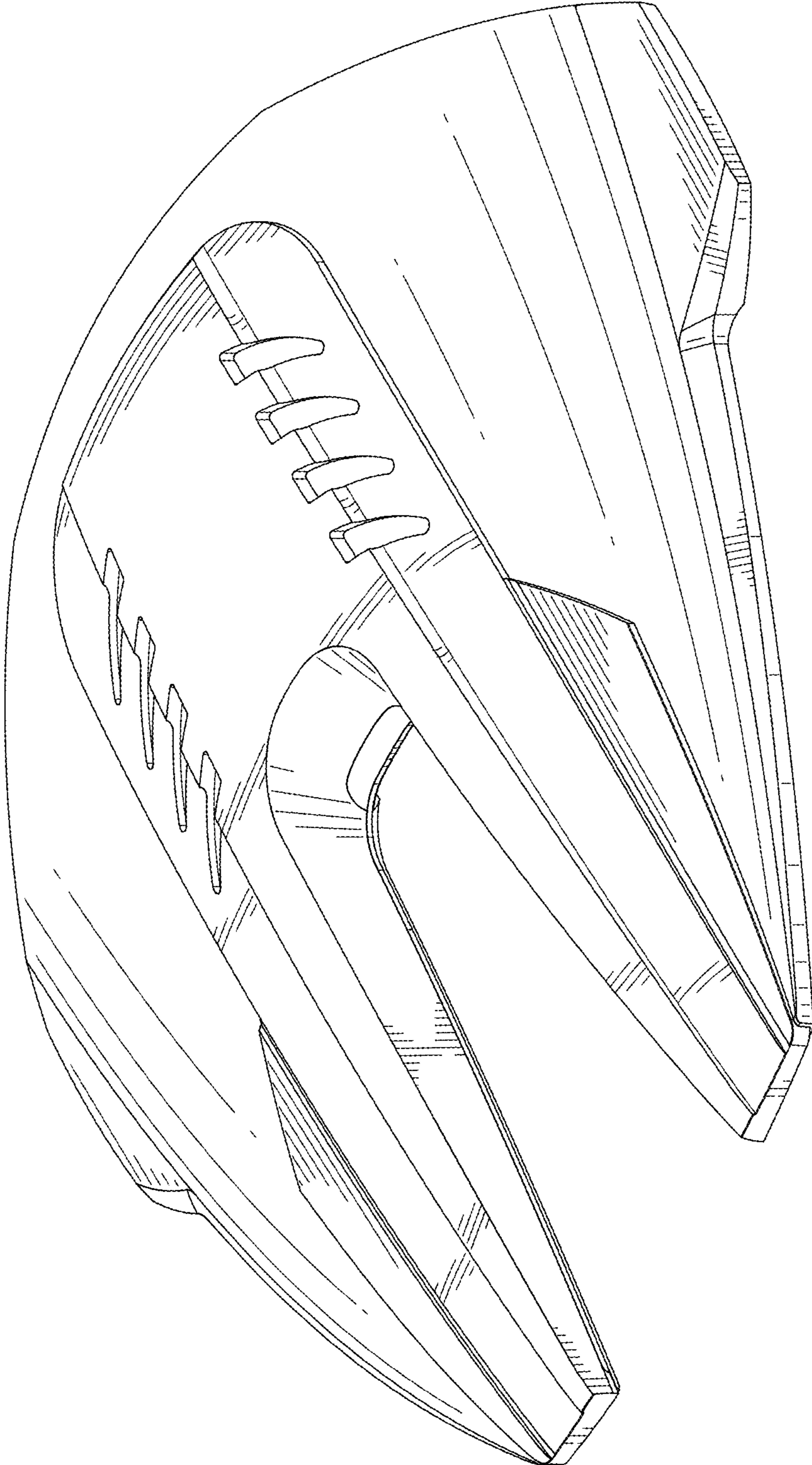


FIG. 1

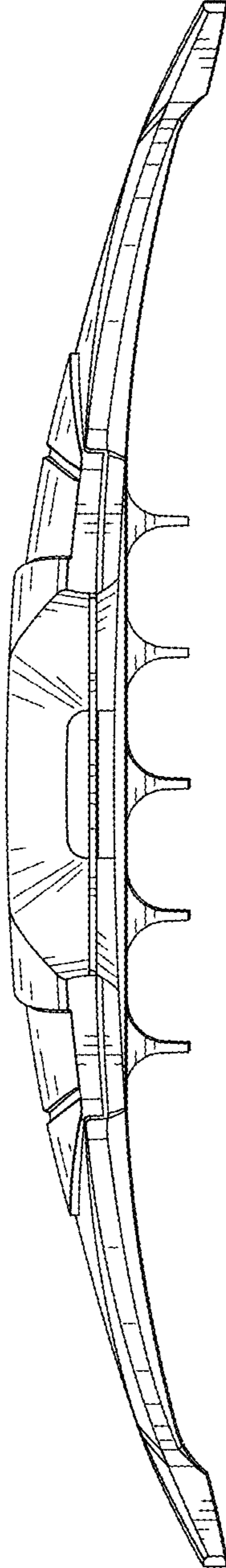


FIG. 2

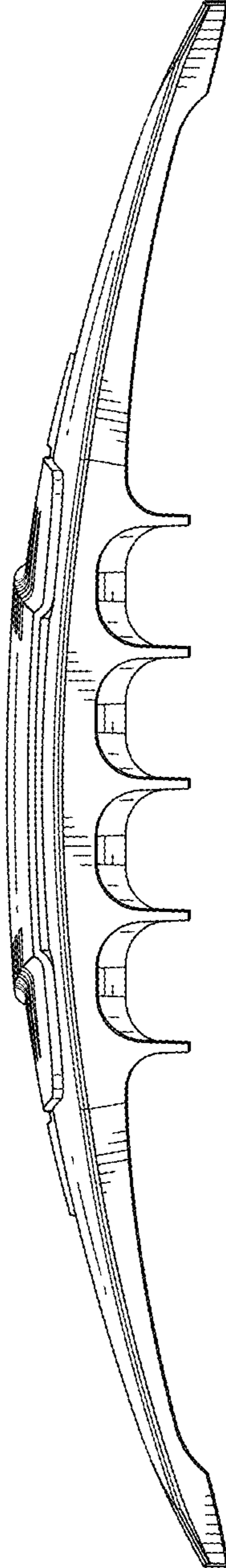


FIG. 3

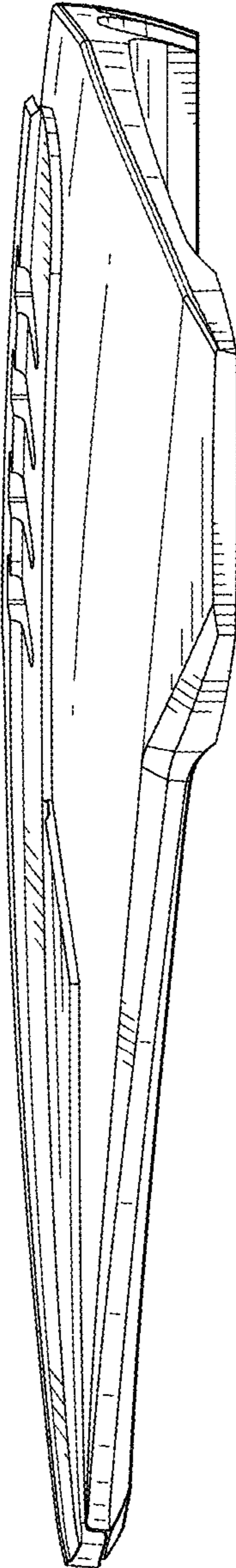


FIG. 4

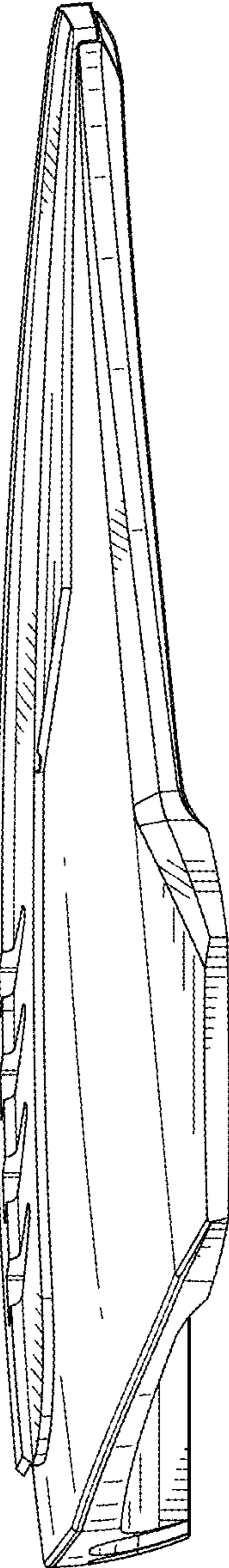


FIG. 5

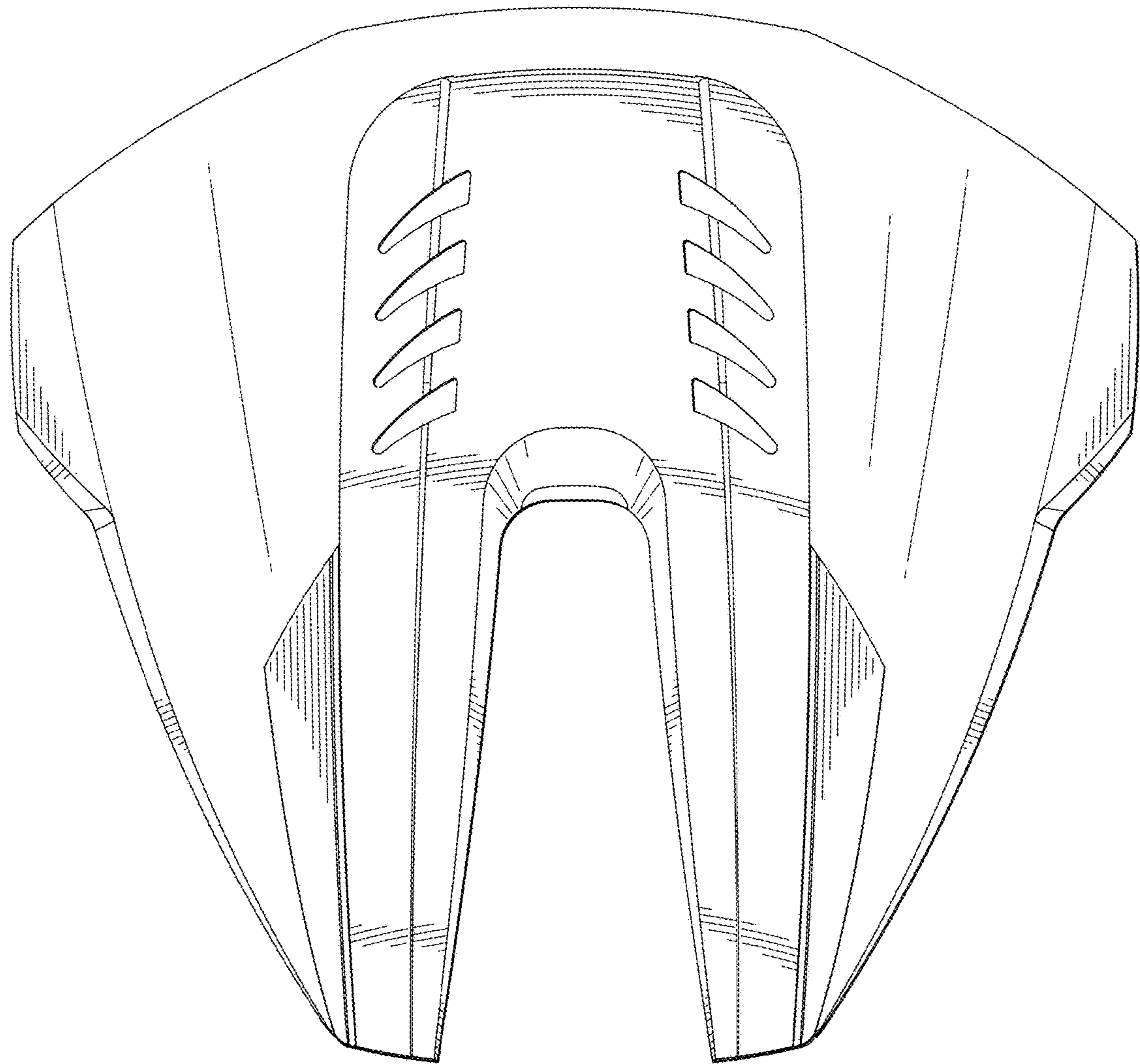


FIG. 6

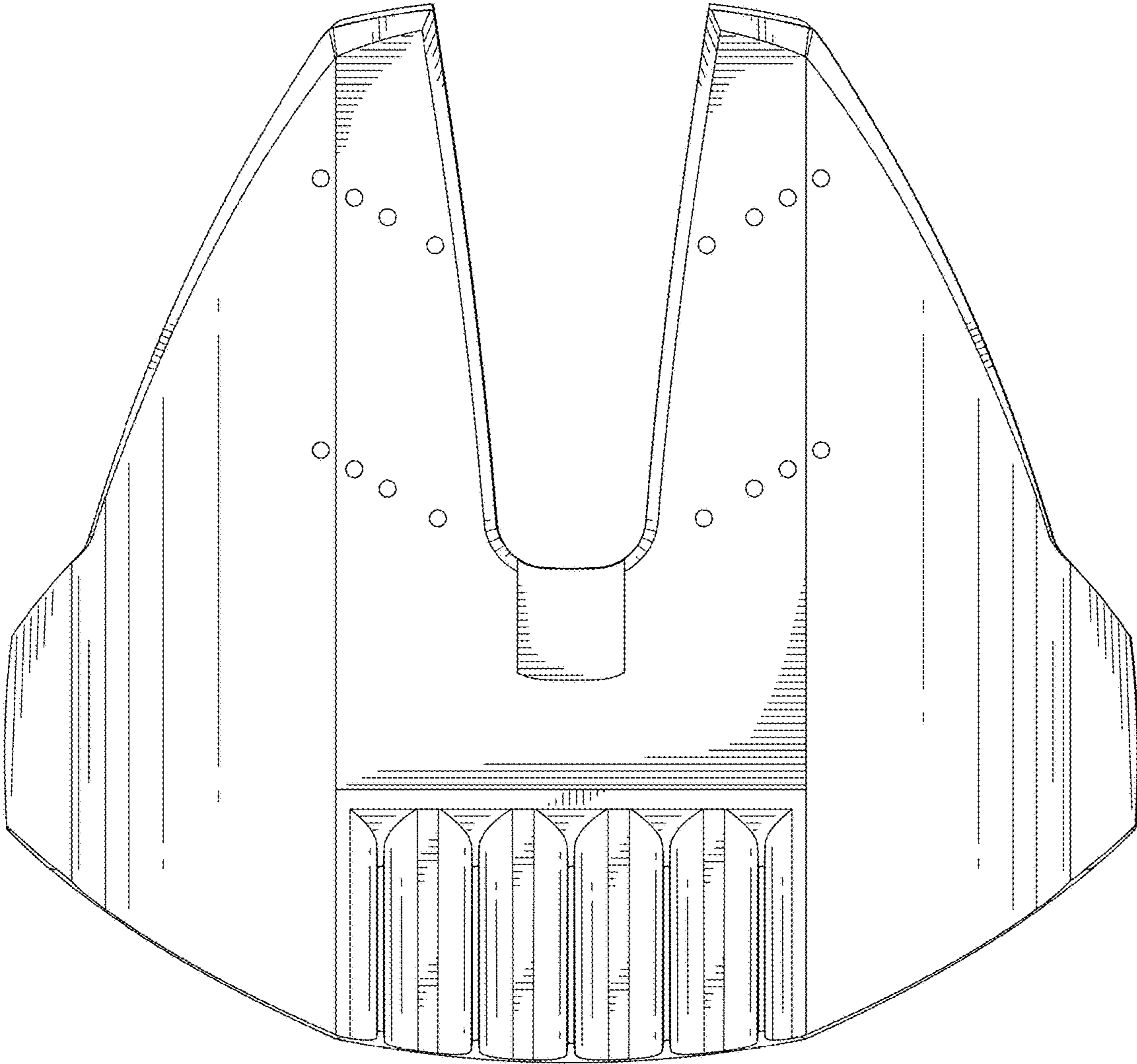


FIG. 7

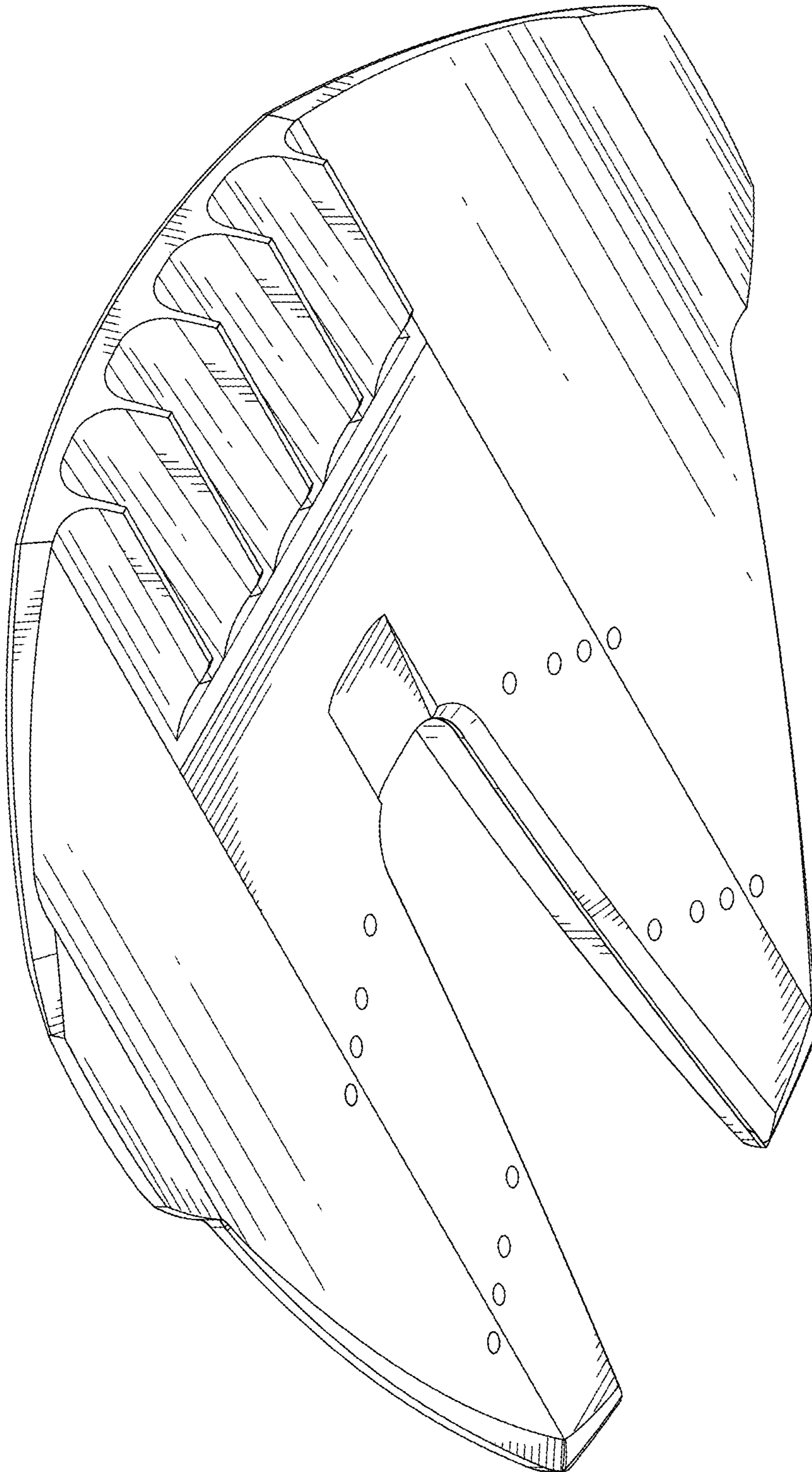


FIG. 8