



US00D786167S

(12) **United States Design Patent** (10) **Patent No.:** **US D786,167 S**
Chung (45) **Date of Patent:** **** May 9, 2017**

(54) **WHEEL PART**
(71) Applicant: **Wheel Pros, LLC**, Greenwood Village, CO (US)
(72) Inventor: **Suny Chung**, Anaheim, CA (US)
(**) Term: **15 Years**
(21) Appl. No.: **29/569,496**
(22) Filed: **Jun. 28, 2016**
(51) **LOC (10) Cl.** **12-16**
(52) **U.S. Cl.**
USPC **D12/213**
(58) **Field of Classification Search**
USPC D12/204-213
CPC B60B 7/00; B60B 7/02; B60B 7/04; B60B 7/01; B60B 7/06; B60B 3/02; B60B 3/04; B60B 3/06; B60B 3/10; B60B 1/00; B60B 1/08; B60B 1/10; B60B 1/12
See application file for complete search history.

D569,777 S 5/2008 Chung
D576,936 S 9/2008 Imai
D578,457 S 10/2008 Guidry
D598,357 S 8/2009 Chung
D638,767 S 5/2011 Groom
D669,009 S 10/2012 Chung
D695,193 S 12/2013 Kong
D698,300 S 1/2014 Chung
D712,333 S * 9/2014 Chung D12/211
D726,628 S 4/2015 Kong
D740,195 S * 10/2015 Perini D12/209
D747,253 S * 1/2016 Chung D12/211
D755,697 S * 5/2016 Tirado D12/209
D755,698 S * 5/2016 Tirado D12/209

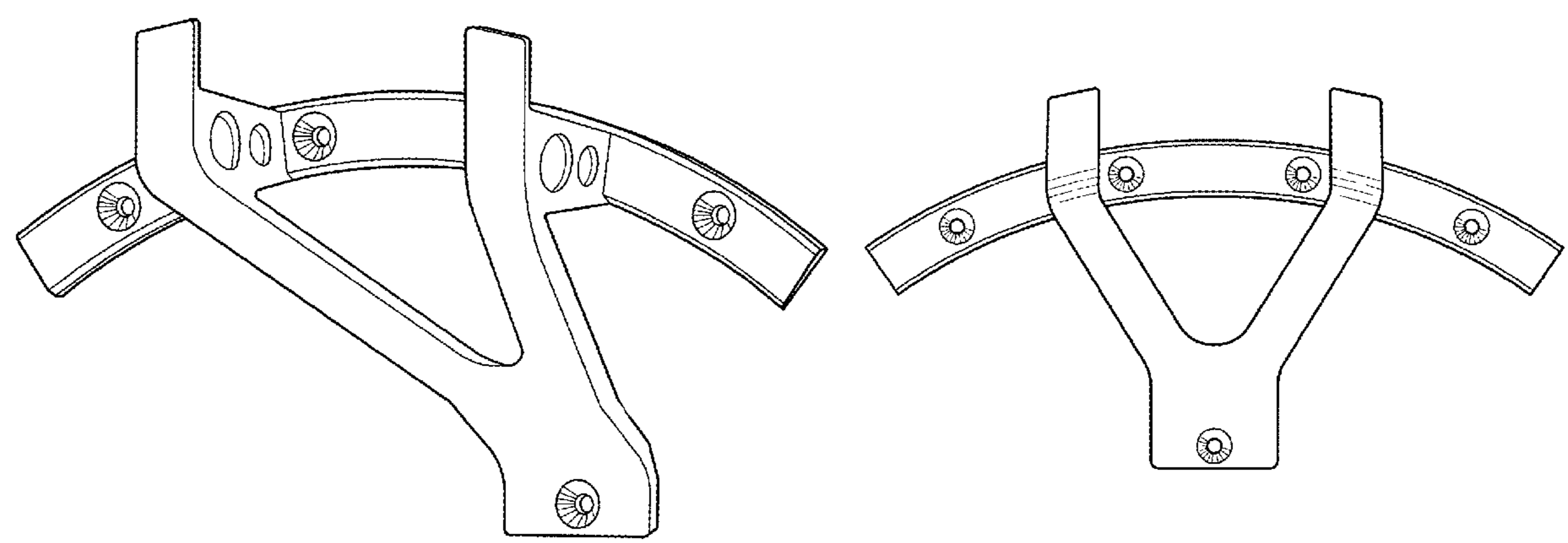
* cited by examiner
Primary Examiner — Stacia Cadmus
(74) *Attorney, Agent, or Firm* — Eric Hanscom; Todd J. Langford

(57) **CLAIM**
The ornamental design for a wheel part, as shown and described.

(56) **References Cited**
U.S. PATENT DOCUMENTS
D453,724 S 2/2002 Hodges
D464,010 S 10/2002 Chung
D466,854 S * 12/2002 Kern D12/211
D503,669 S * 4/2005 Bhambra D12/211
D508,884 S * 8/2005 Fridie D12/209
D512,011 S * 11/2005 Tirado D12/213
D516,001 S * 2/2006 Tirado D12/209

DESCRIPTION
FIG. 1 is a perspective view of a wheel part showing my new design;
FIG. 2 is a front view thereof;
FIG. 3 is a back view thereof;
FIG. 4 is a left-side view thereof; and,
FIG. 5 is a right-side view thereof.

1 Claim, 3 Drawing Sheets



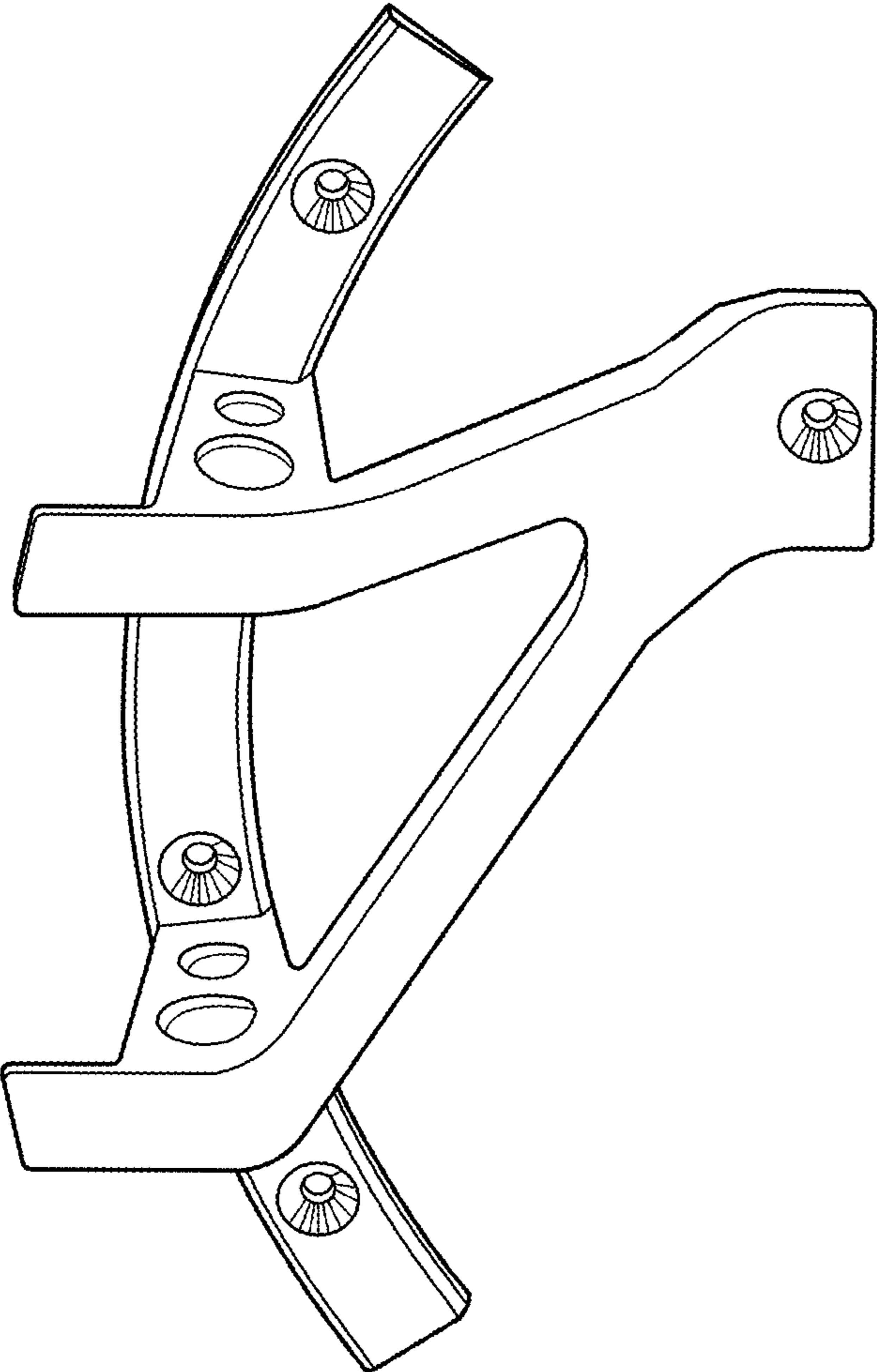


Figure 1

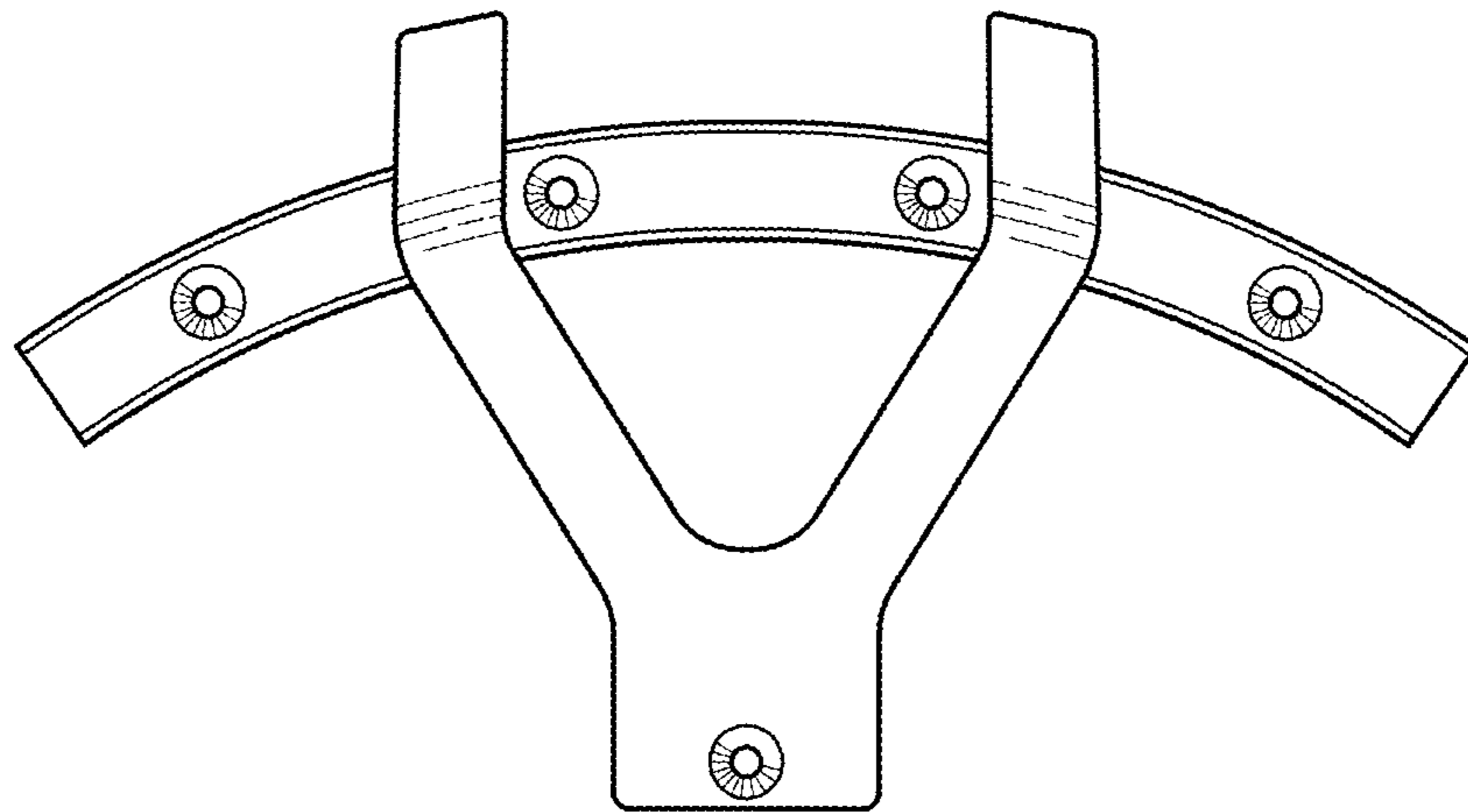


Figure 2

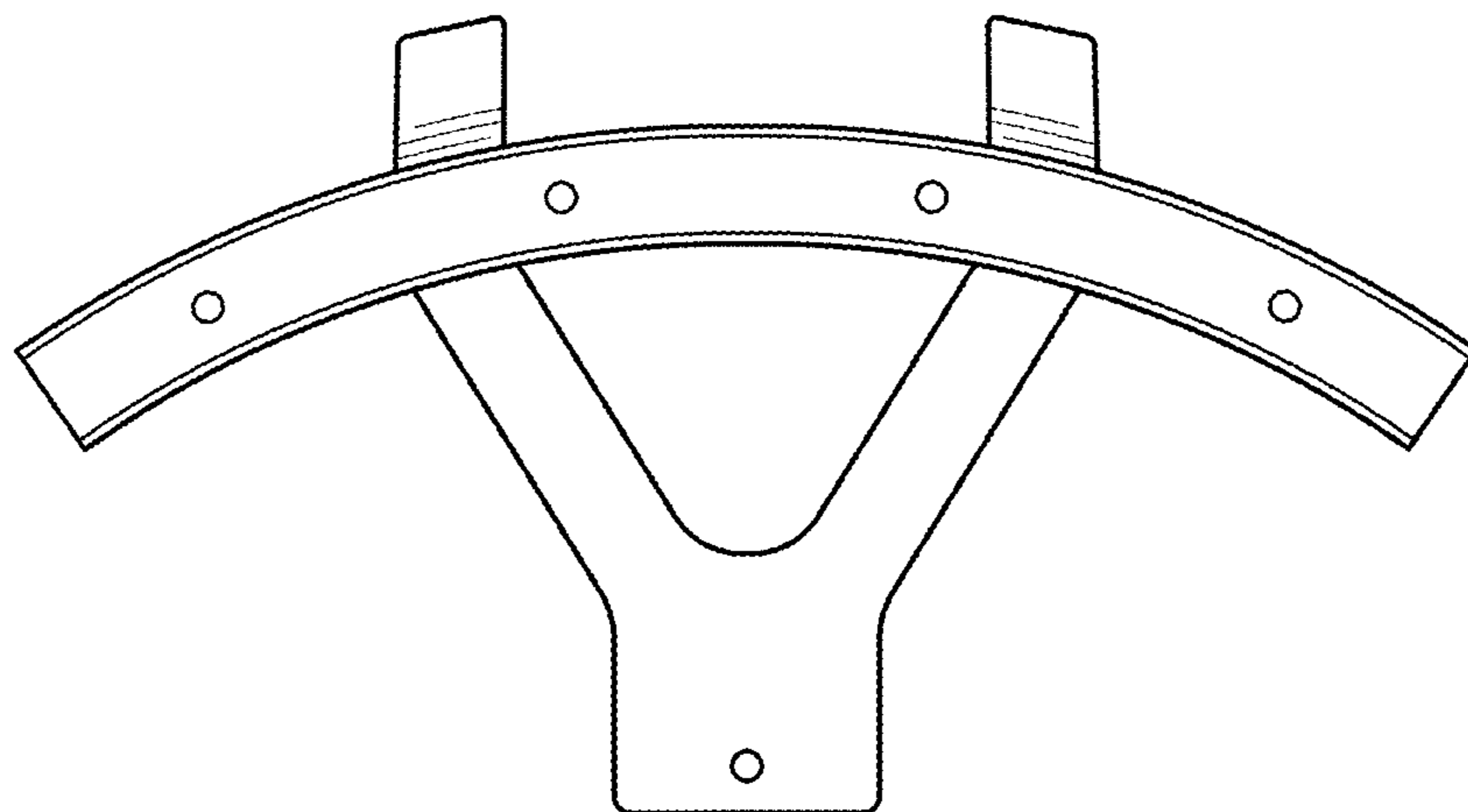


Figure 3

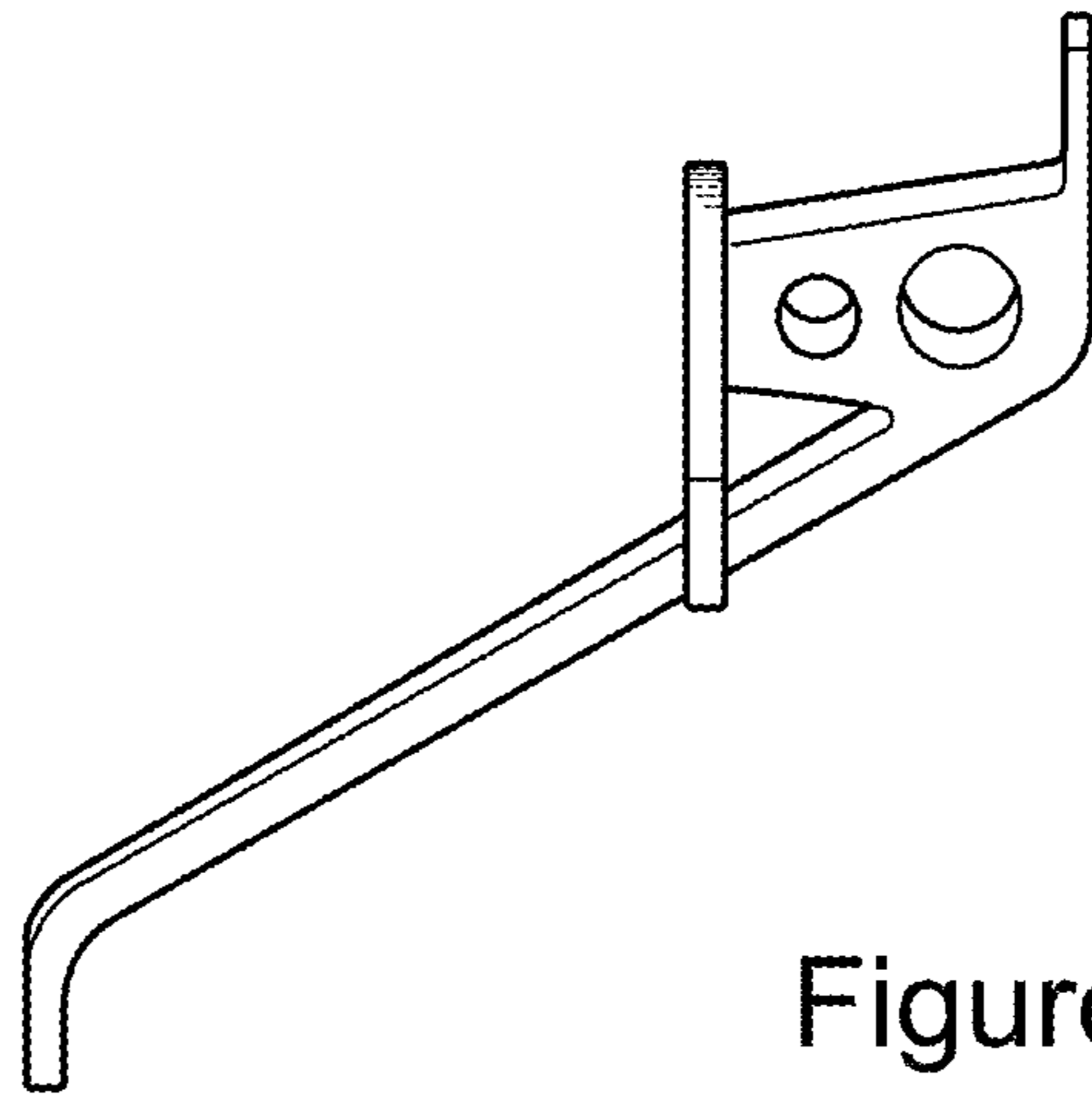


Figure 4

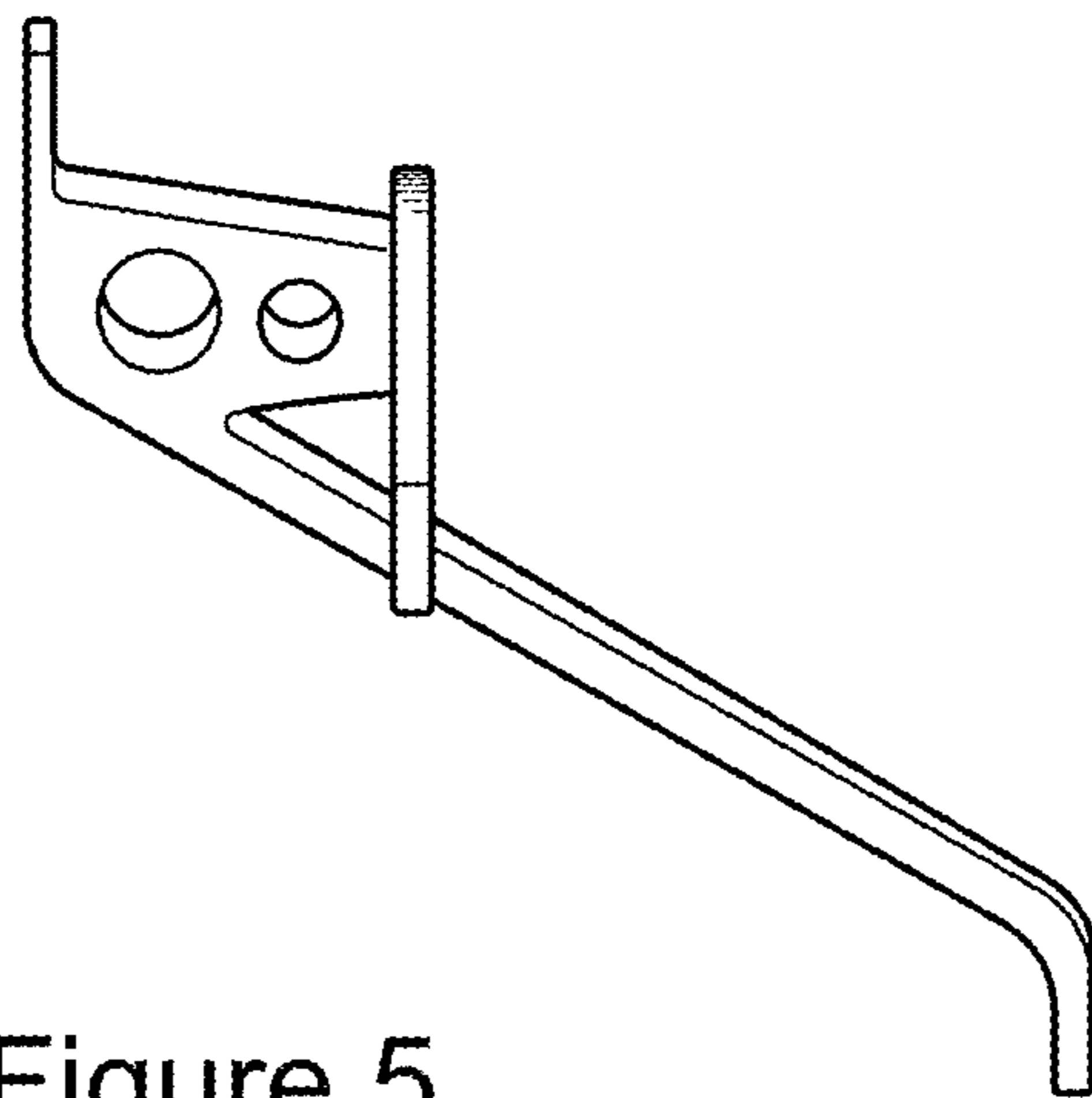


Figure 5