



US00D786164S

(12) **United States Design Patent**  
**Henderson**

(10) **Patent No.:** **US D786,164 S**

(45) **Date of Patent:** **\*\* May 9, 2017**

- (54) **VEHICLE WHEEL FRONT FACE**
- (71) Applicant: **MOBILE HI-TECH WHEELS,**  
Rancho Dominguez, CA (US)
- (72) Inventor: **Brian Henderson,** Seal Beach, CA  
(US)
- (73) Assignee: **Mobile Hi-Tech Wheels,** Rancho  
Dominquez, CA (US)
- (\*\*) Term: **15 Years**
- (21) Appl. No.: **29/568,989**
- (22) Filed: **Jun. 22, 2016**
- (51) **LOC (10) Cl.** ..... **12-16**
- (52) **U.S. Cl.**  
USPC ..... **D12/211**
- (58) **Field of Classification Search**  
USPC ..... D12/204–213  
CPC .... B60B 7/00; B60B 7/02; B60B 7/04; B60B  
7/01; B60B 7/06; B60B 3/02; B60B 3/04;  
B60B 3/06; B60B 3/10; B60B 1/00;  
B60B 1/08; B60B 1/10; B60B 1/12  
See application file for complete search history.

(56) **References Cited**

**U.S. PATENT DOCUMENTS**

- D417,646 S \* 12/1999 Baumgartner ..... D12/211
- D427,558 S \* 7/2000 Neeper ..... D12/211

- D539,724 S \* 4/2007 Muzzarelli ..... D12/211
- D605,574 S \* 12/2009 Abdallah ..... D12/211
- D606,921 S \* 12/2009 Thorsten ..... D12/211
- D620,862 S \* 8/2010 Pollmann ..... D12/209
- D624,861 S \* 10/2010 Zhao ..... D12/209
- D649,103 S \* 11/2011 Gallert ..... D12/211
- D675,143 S \* 1/2013 Gebert ..... D12/209
- D715,720 S \* 10/2014 Ender ..... D12/211
- D747,254 S \* 1/2016 Liu ..... D12/211
- D748,558 S \* 2/2016 Hans ..... D12/211
- D764,367 S \* 8/2016 Gallert ..... D12/209
- D780,657 S \* 3/2017 Welte ..... D12/211
- D780,658 S \* 3/2017 Welte ..... D12/211

\* cited by examiner

*Primary Examiner* — Stacia Cadmus

(74) *Attorney, Agent, or Firm* — Lewis Roca Rothgerber  
Christie LLP

(57) **CLAIM**

The ornamental design for vehicle wheel front face, as  
shown and described.

**DESCRIPTION**

FIG. 1 is a perspective view of a vehicle wheel front face  
according to my new design;

FIG. 2 is a front elevational view thereof; and,

FIG. 3 is a side elevational view thereof.

The broken lines showing the side of the wheel and the bolts  
and center cap in the central hub area are included for the  
purpose of illustrating environment and form no part of the  
claimed design.

**1 Claim, 3 Drawing Sheets**

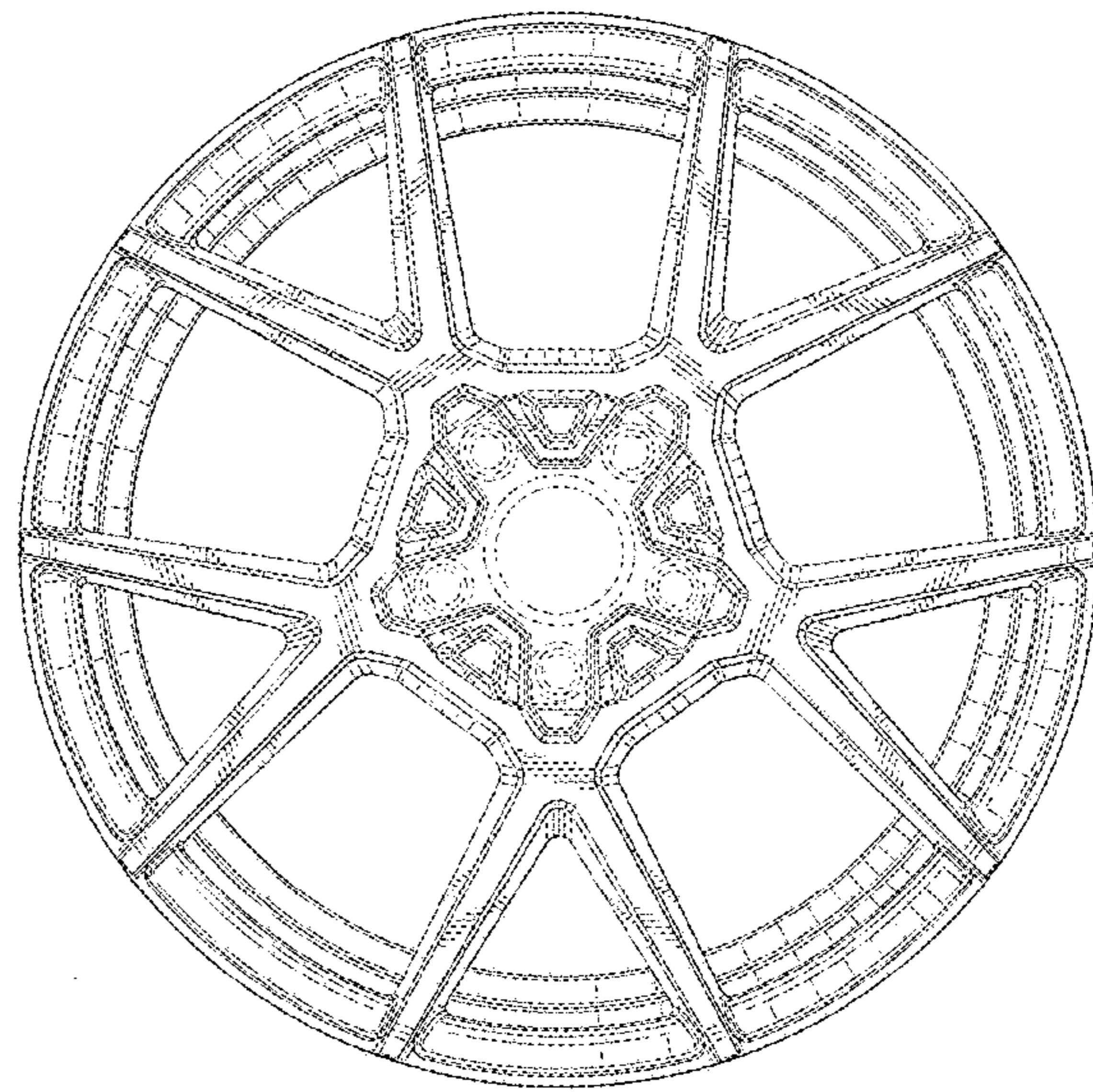
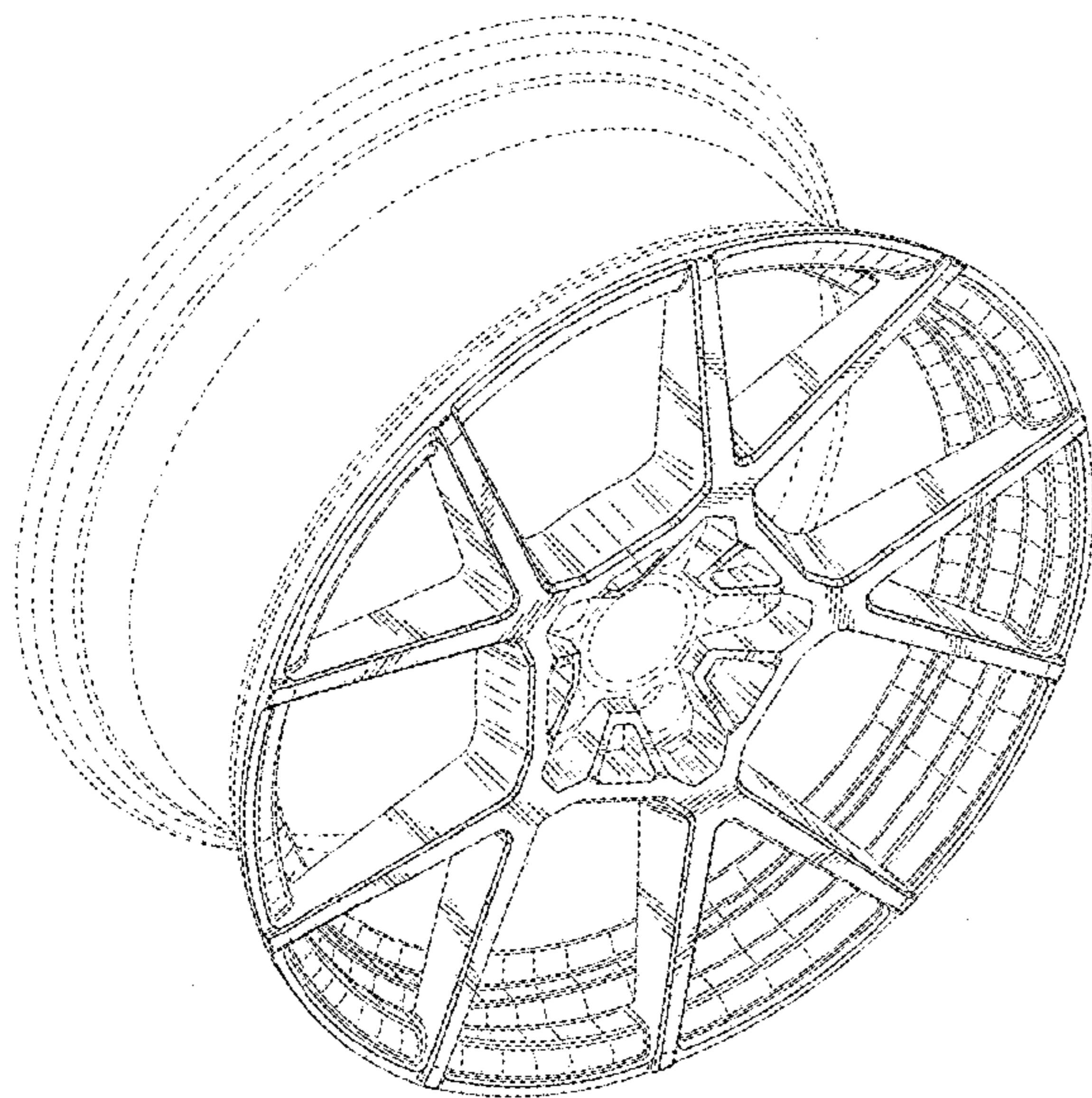




FIG. 1

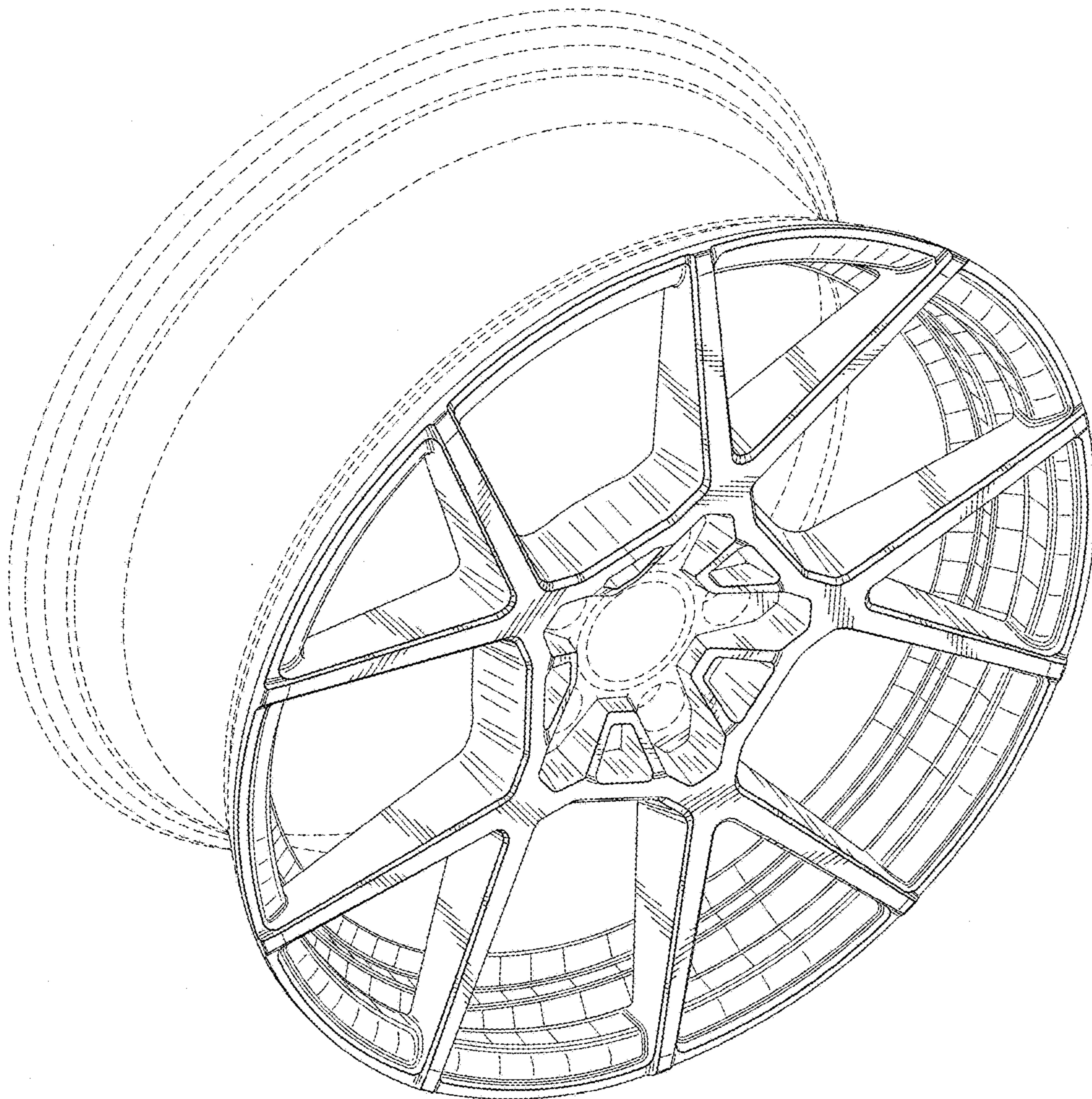


FIG. 2

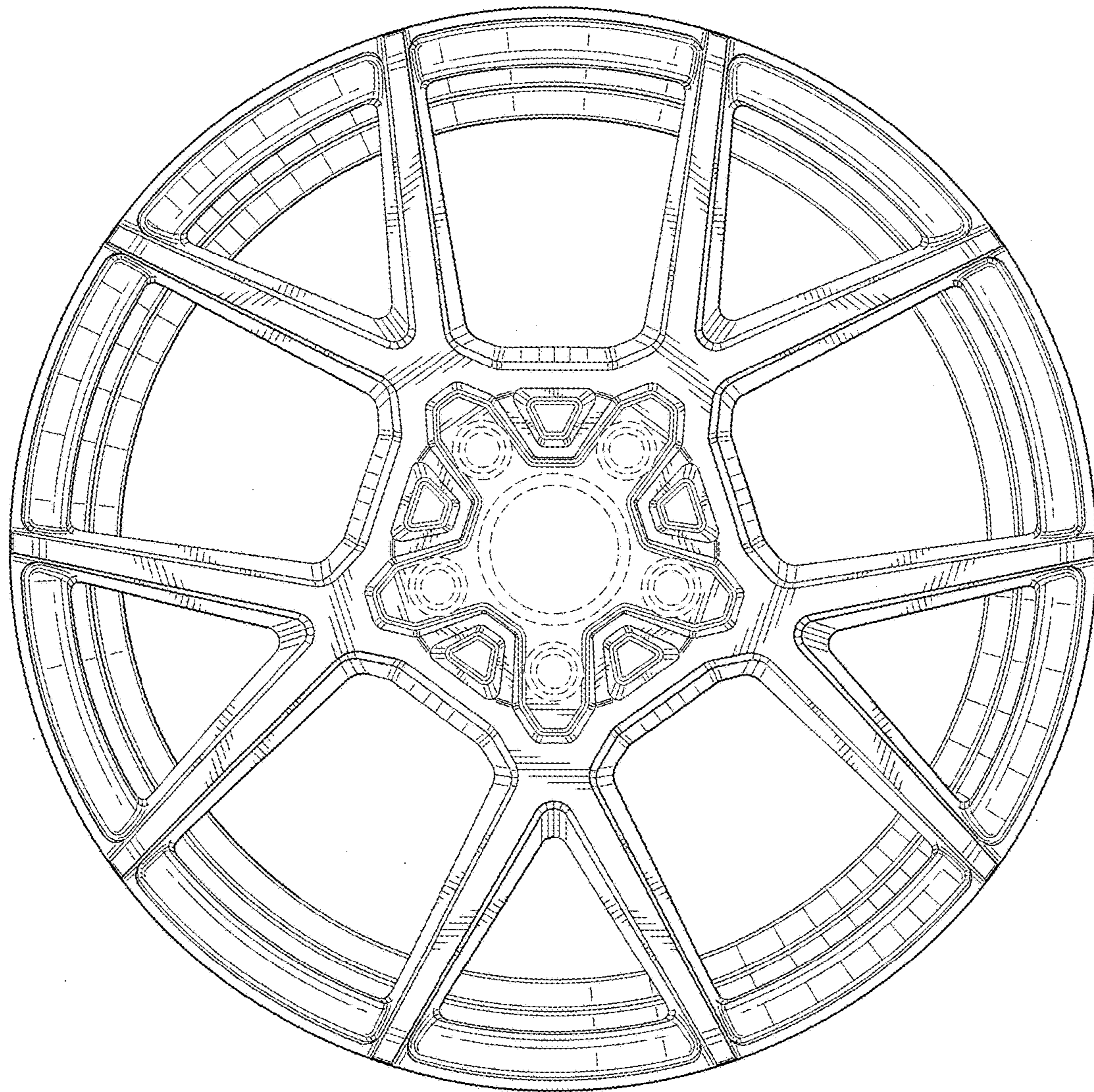




FIG. 3

