



US00D786163S

(12) **United States Design Patent**
Wuescher

(10) **Patent No.:** **US D786,163 S**

(45) **Date of Patent:** **** May 9, 2017**

(54) **WHEEL**

(71) Applicant: **Tredit Tire & Wheel Company, Inc.**,
Elkhart, IN (US)

(72) Inventor: **Andrew Wuescher**, Granger, IN (US)

(73) Assignee: **Tredit Tire & Wheel Company, Inc.**,
Elkhart, IN (US)

(**) Term: **15 Years**

(21) Appl. No.: **29/568,261**

(22) Filed: **Jun. 16, 2016**

(51) **LOC (10) Cl.** **12-16**

(52) **U.S. Cl.**
USPC **D12/211**

(58) **Field of Classification Search**
USPC D12/204–213
CPC B60B 7/00; B60B 7/02; B60B 7/04; B60B
7/01; B60B 7/06; B60B 3/02; B60B 3/04;
B60B 3/06; B60B 3/10; B60B 1/00;
B60B 1/08; B60B 1/10; B60B 1/12
See application file for complete search history.

(56) **References Cited**

U.S. PATENT DOCUMENTS

D197,840 S * 3/1964 Deaver D12/209
D286,278 S * 10/1986 Sandberg D12/211
D292,572 S * 11/1987 Schell D12/211

D292,692 S * 11/1987 Smith D12/211
D506,966 S * 7/2005 Kataoka D12/209
D528,496 S * 9/2006 Marji D12/211
D621,321 S * 8/2010 Groom D12/211
D651,152 S * 12/2011 McMath D12/211
D691,544 S * 10/2013 Ferrett D12/211
D706,199 S * 6/2014 Chung D12/211
D714,705 S * 10/2014 Kong D12/211
D714,706 S * 10/2014 Chung D12/211
D740,735 S * 10/2015 Matsumura D12/211

* cited by examiner

Primary Examiner — Stacia Cadmus

(74) *Attorney, Agent, or Firm* — Renner, Kenner, Greive,
Bobak, Taylor & Weber

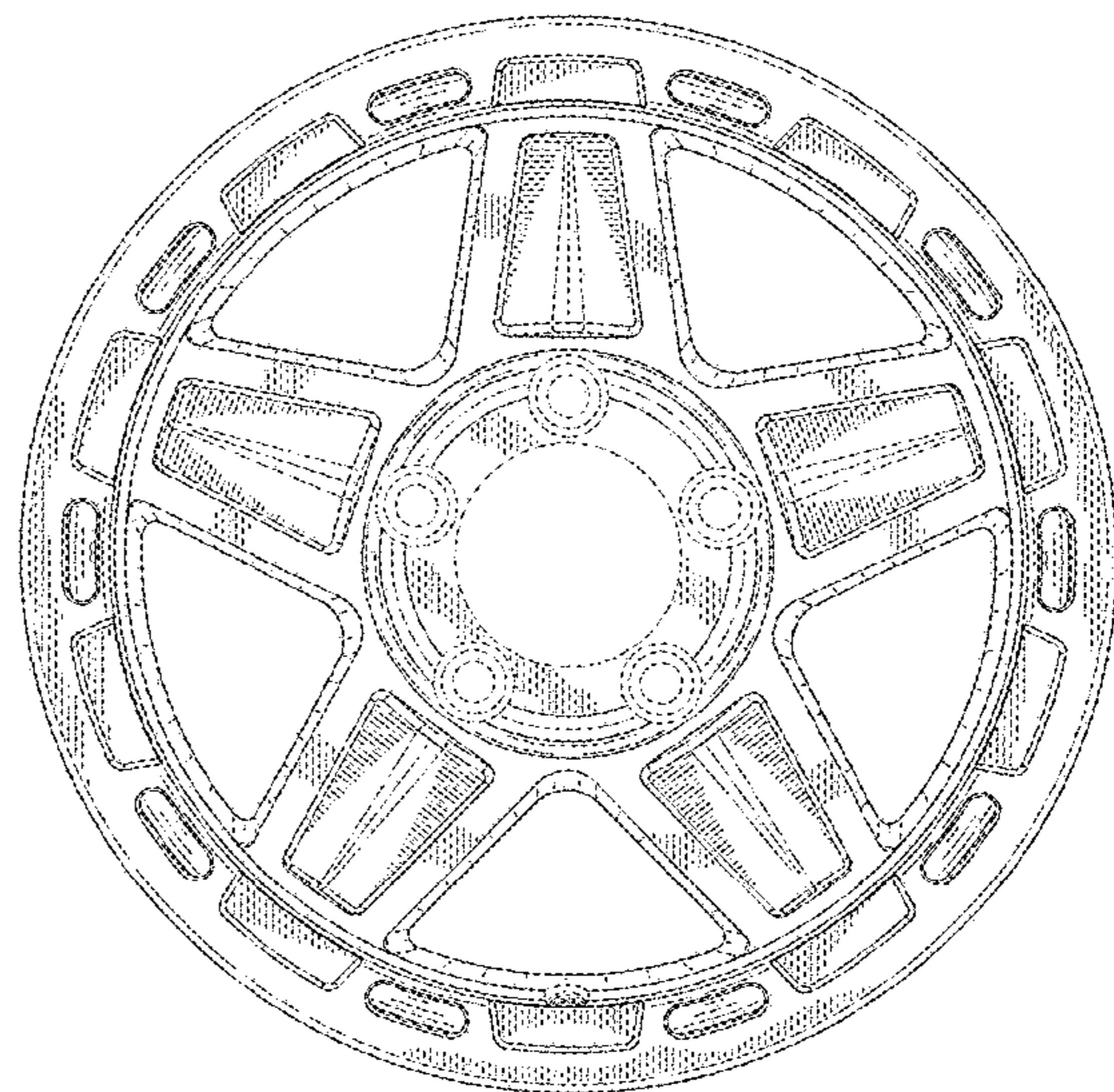
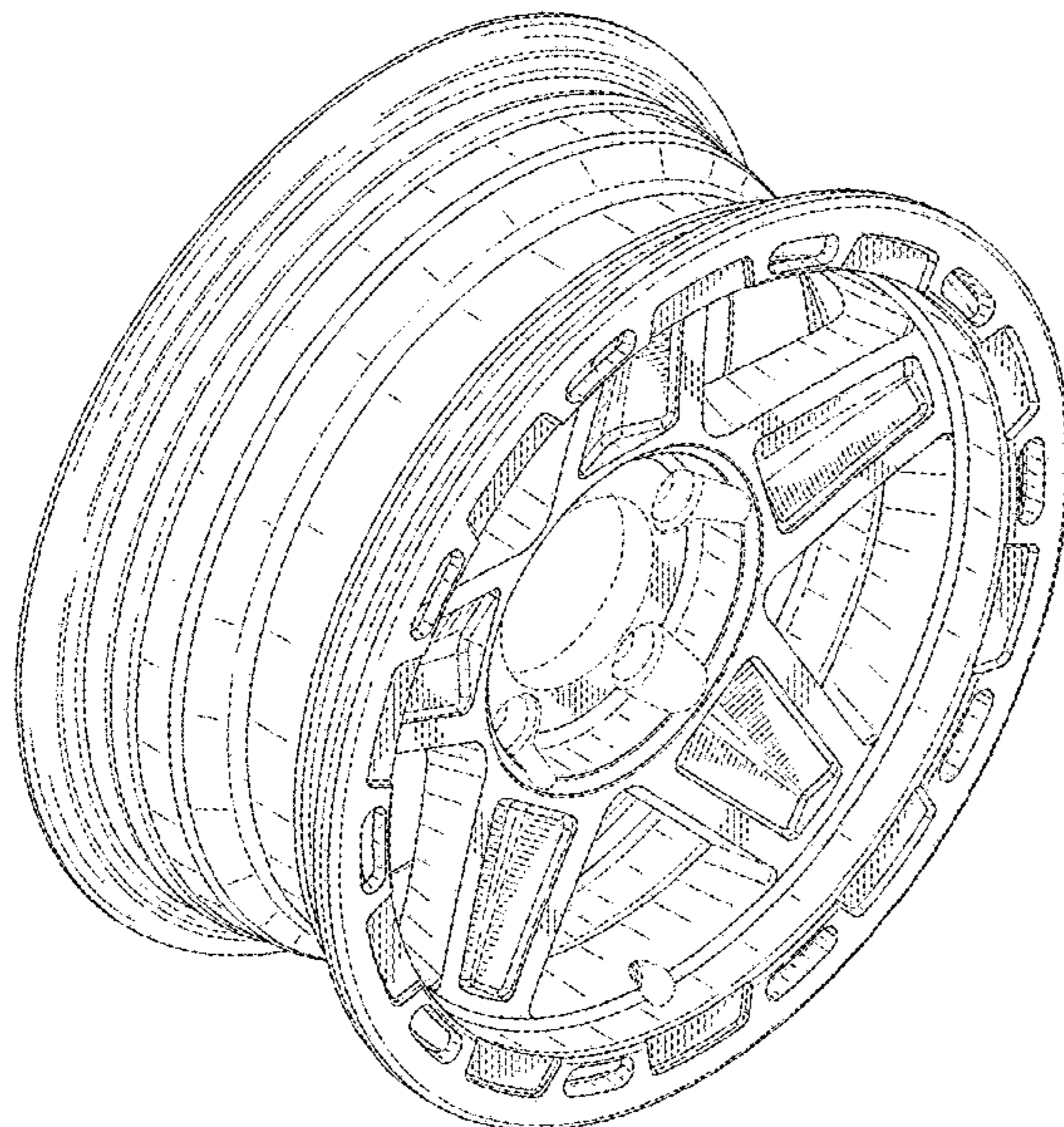
(57) **CLAIM**

The ornamental design for a wheel, as shown and described.

DESCRIPTION

FIG. 1 is a top, front, left side perspective view of a wheel showing my new design;
FIG. 2 is a top, rear, left side perspective view thereof;
FIG. 3 is a front elevational view thereof;
FIG. 4 is a rear elevational view thereof;
FIG. 5 is a left side elevational view thereof;
FIG. 6 is a right side elevational view thereof;
FIG. 7 is a top plan view thereof; and,
FIG. 8 is a bottom plan view thereof.
In the drawings, the broken lines depict environmental subject matter only and form no part of the claimed design.

1 Claim, 8 Drawing Sheets



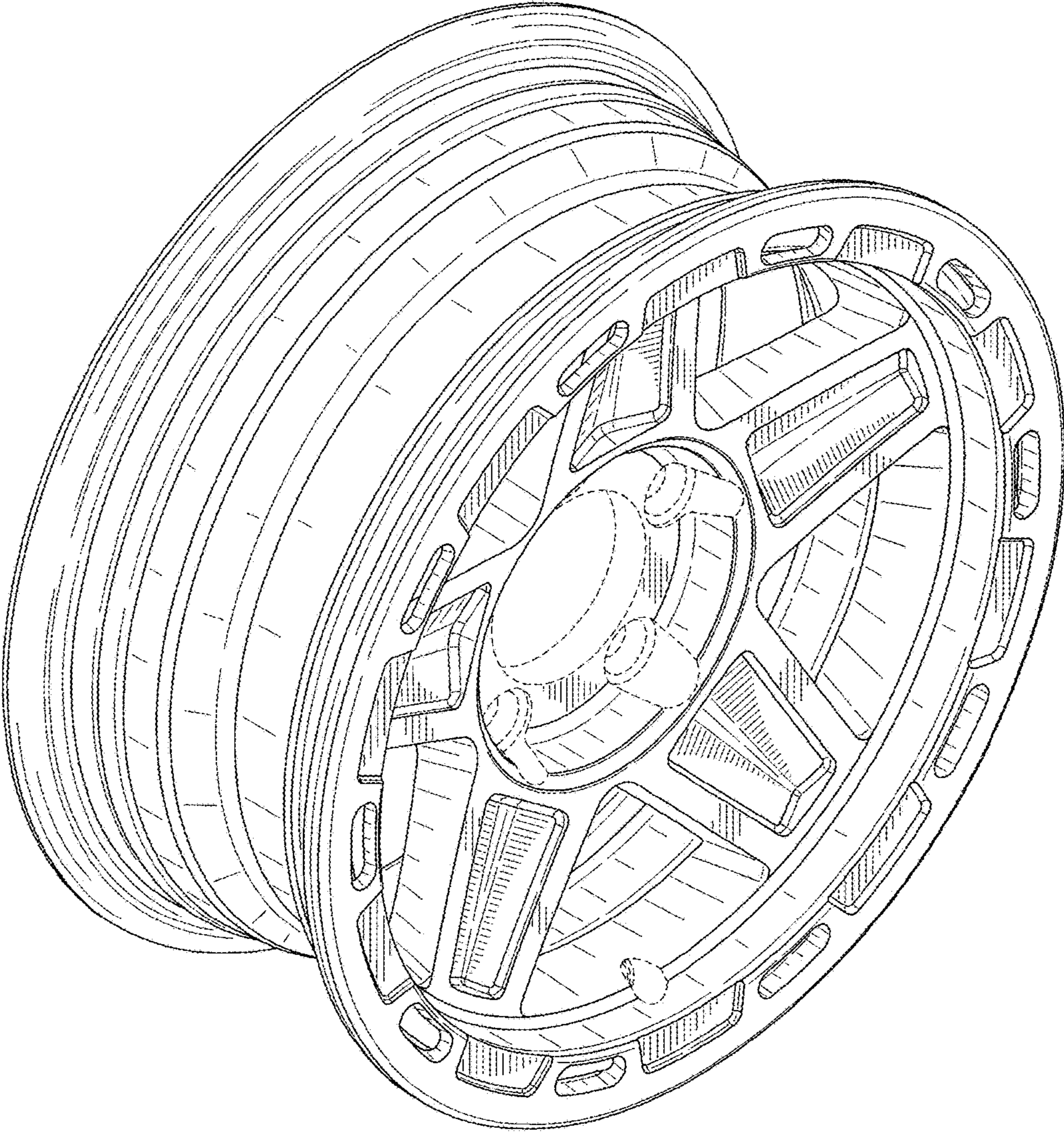


FIG. 1

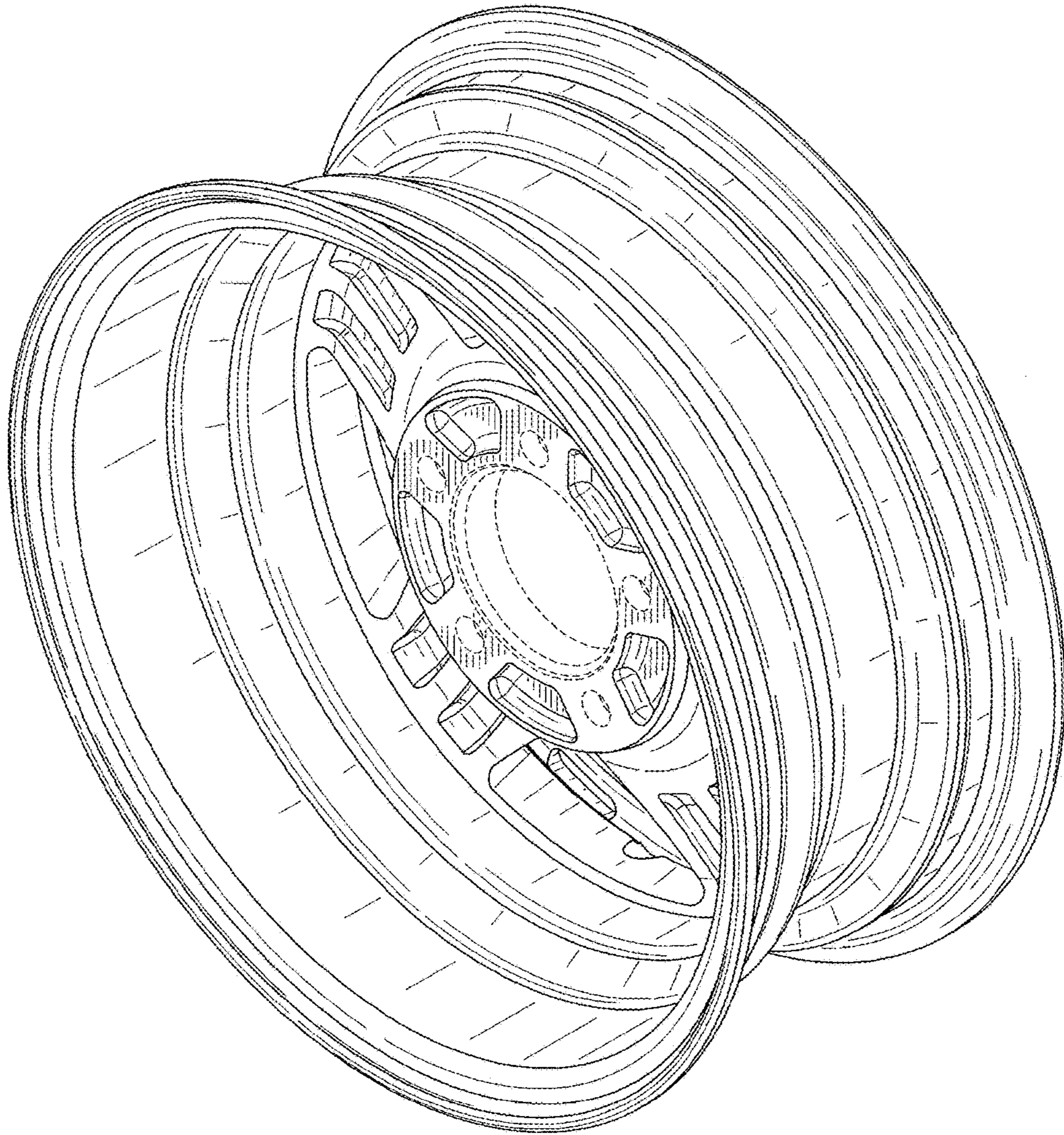


FIG. 2

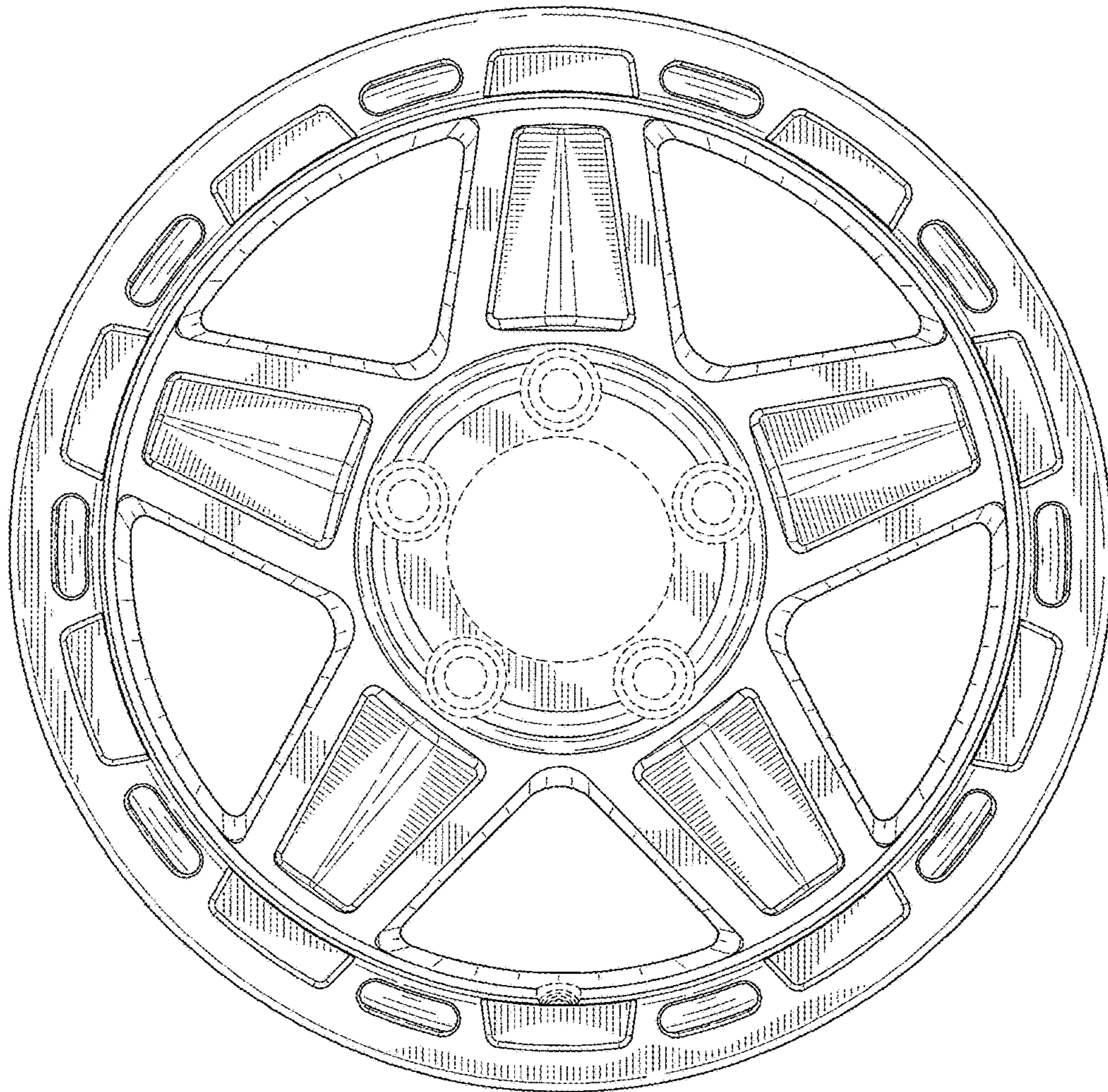


FIG. 3

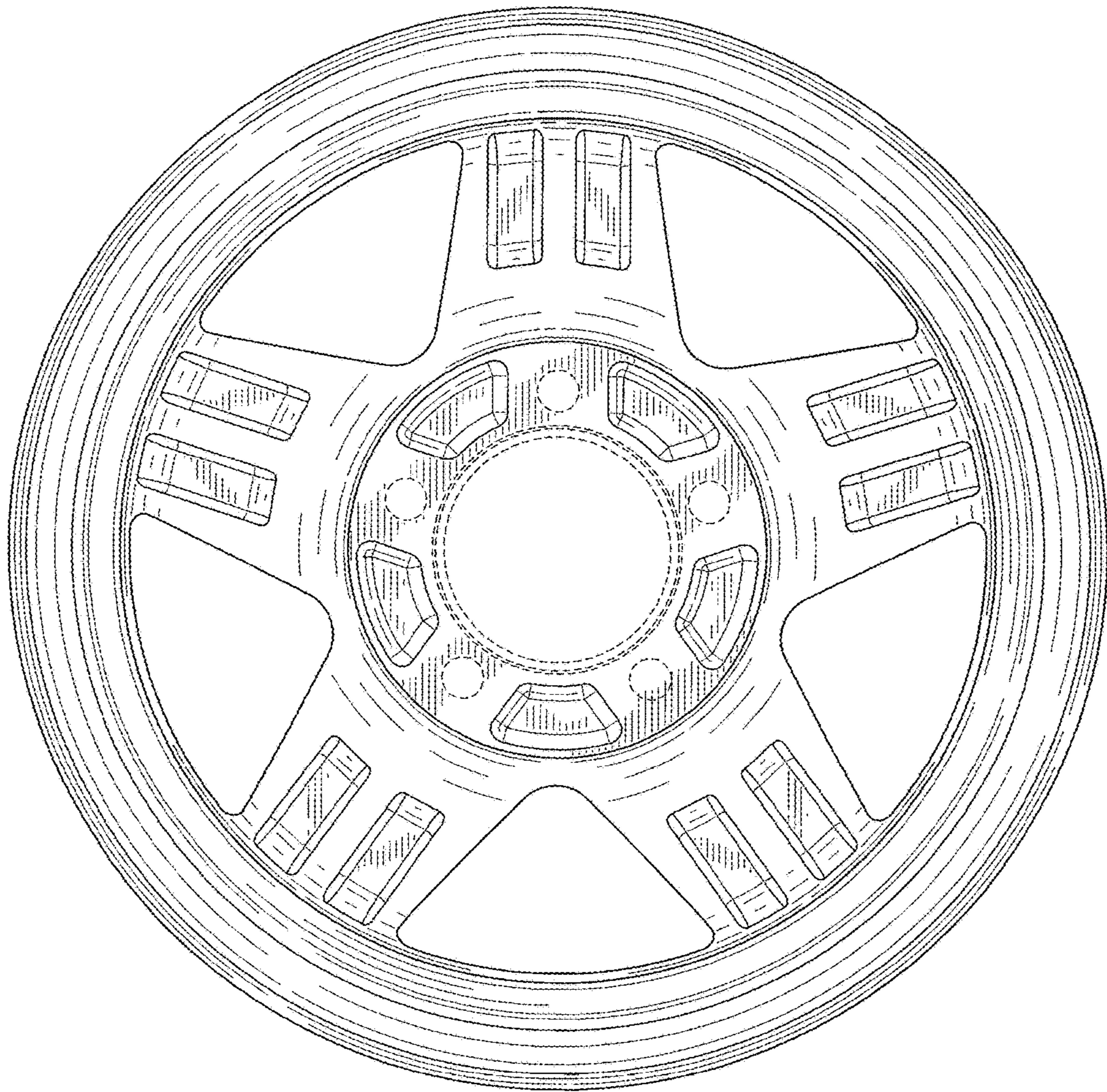


FIG. 4

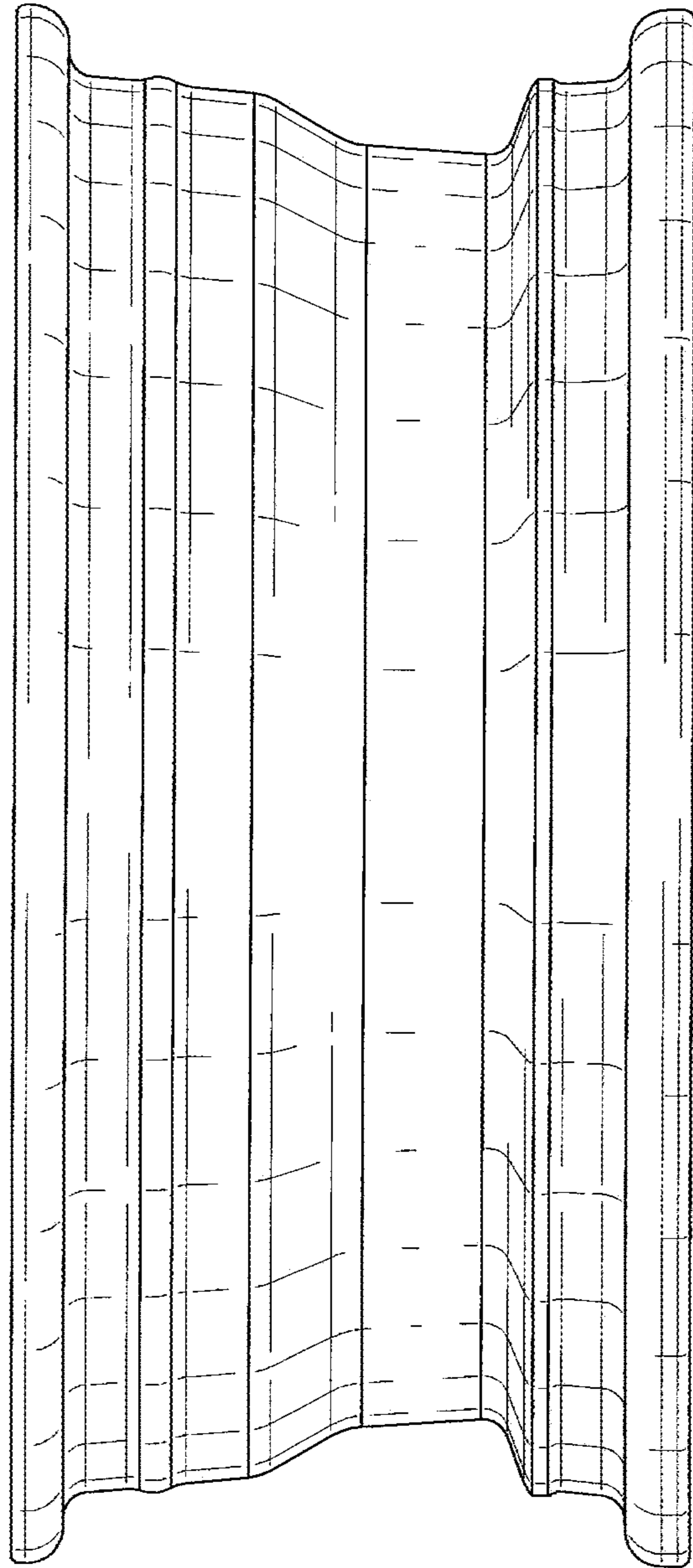


FIG. 5

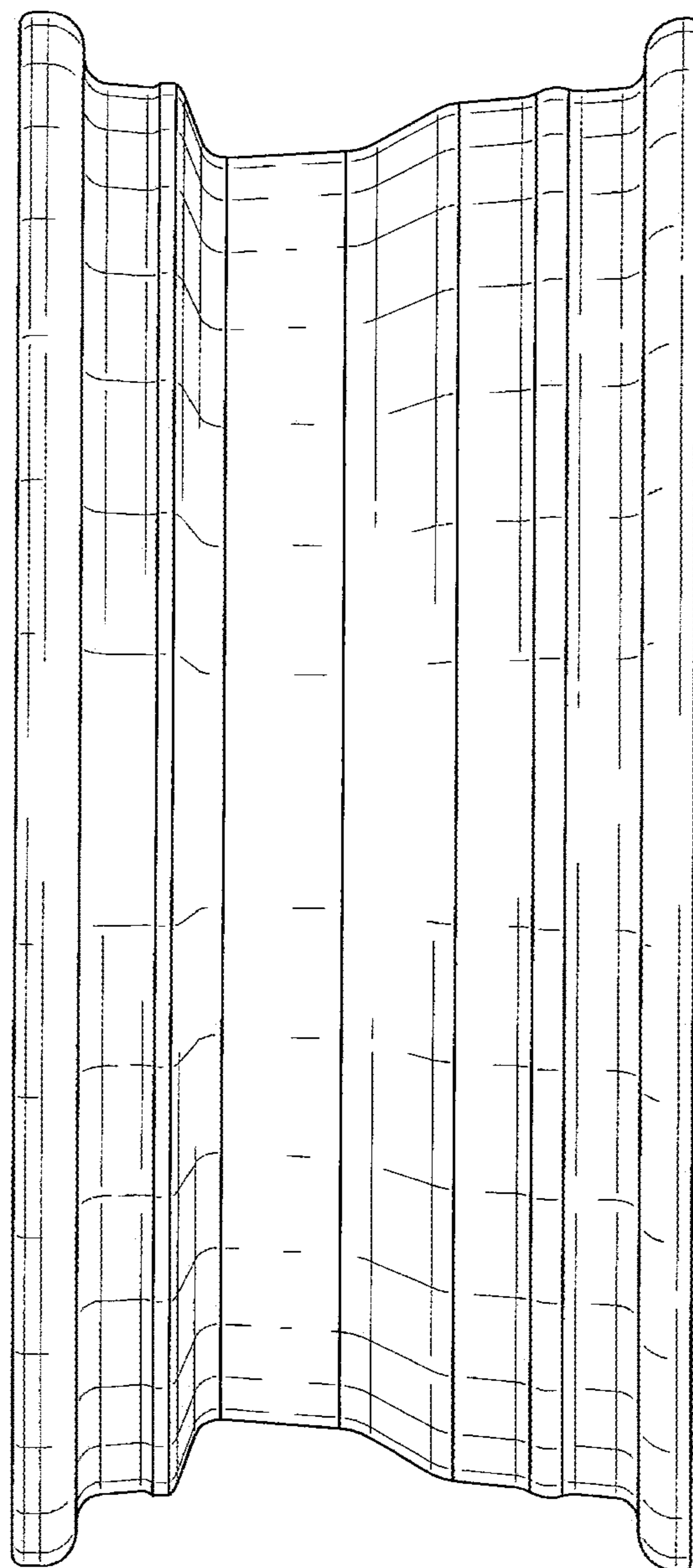


FIG. 6

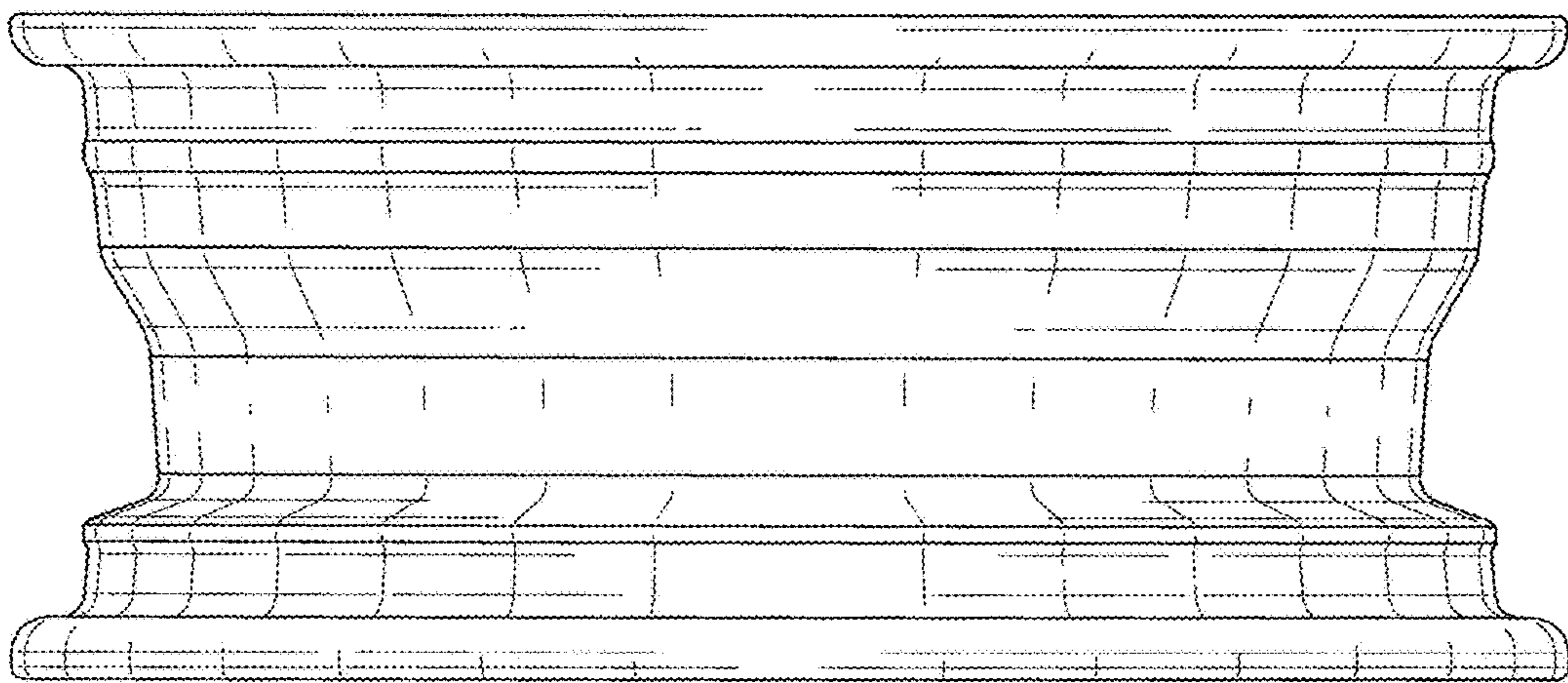


FIG. 7

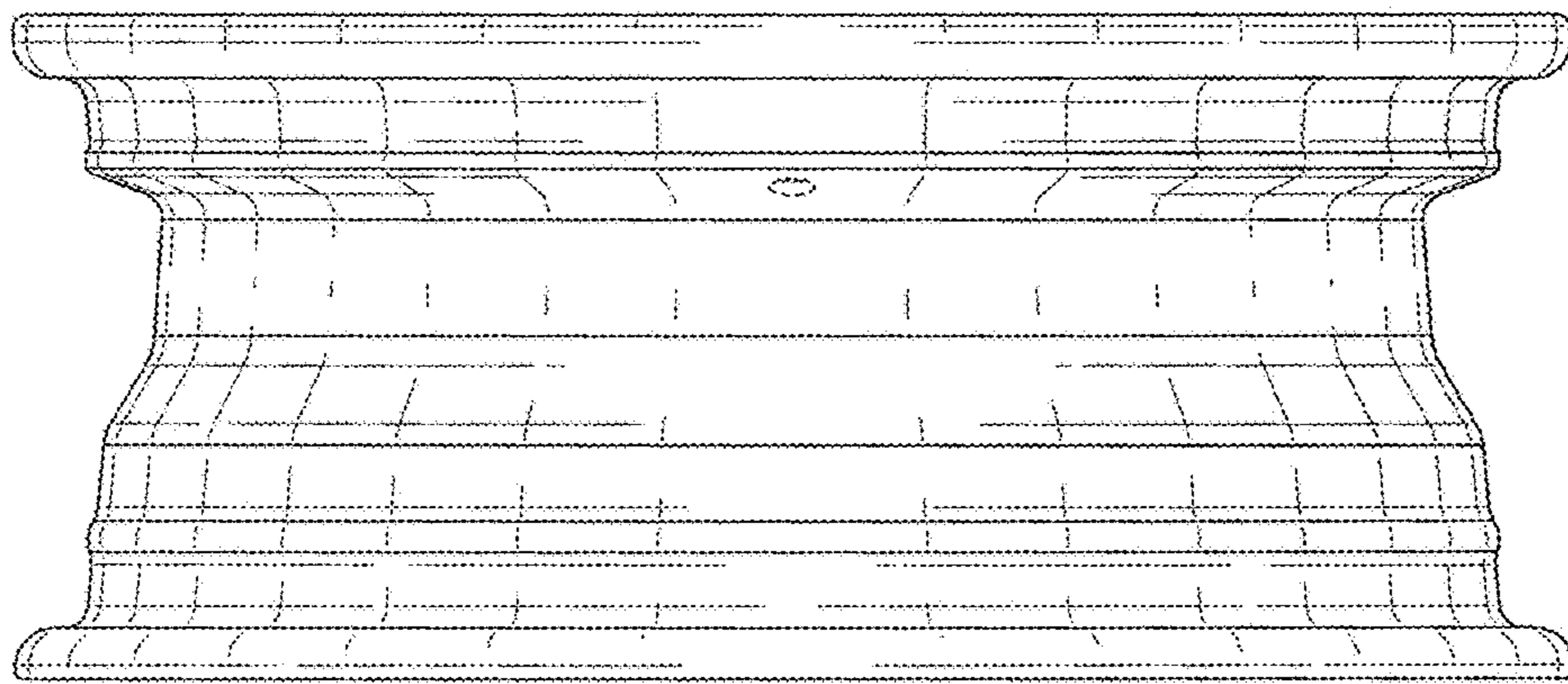


FIG. 8