



US00D786160S

(12) **United States Design Patent**  
**Youssef**

(10) **Patent No.:** **US D786,160 S**

(45) **Date of Patent:** **\*\* May 9, 2017**

(54) **WHEEL FOR AN AUTOMOBILE**

(71) Applicant: **Michael Youssef**, Sugar Land, TX (US)

(72) Inventor: **Michael Youssef**, Sugar Land, TX (US)

(\*\*) Term: **14 Years**

(21) Appl. No.: **29/519,773**

(22) Filed: **Mar. 6, 2015**

(51) **LOC (10) Cl.** ..... **12-16**

(52) **U.S. Cl.**  
USPC ..... **D12/211**

(58) **Field of Classification Search**  
USPC ..... D12/204–213  
CPC .... B60B 7/00; B60B 7/02; B60B 7/04; B60B  
7/01; B60B 7/06; B60B 3/02; B60B 3/04;  
B60B 3/06; B60B 3/10; B60B 1/00;  
B60B 1/08; B60B 1/10; B60B 1/12  
See application file for complete search history.

(56) **References Cited**

**U.S. PATENT DOCUMENTS**

1,129,617	A	*	2/1915	Woodworth	.....	B60B 3/02 301/64.102
D361,976	S	*	9/1995	Echazabal	.....	D12/211
D412,149	S	*	7/1999	Corioni	.....	D12/211
D500,727	S	*	1/2005	Thompson	.....	D12/211
D515,996	S	*	2/2006	Baumgartner	.....	D12/209
D540,733	S	*	4/2007	Castiglione	.....	D12/211
D638,767	S	*	5/2011	Groom	.....	D12/211
D639,220	S	*	6/2011	Zhao	.....	D12/209

D641,302	S	*	7/2011	Ettensberger	.....	D12/211
D651,957	S	*	1/2012	Chung	.....	D12/209
D671,061	S	*	11/2012	Dilber	.....	D12/211
D712,329	S	*	9/2014	Borkert	.....	D12/209
D720,271	S	*	12/2014	Mielke	.....	D12/209
D722,545	S	*	2/2015	Chung	.....	D12/209
D730,261	S	*	5/2015	Johnson	.....	D12/211
D741,241	S	*	10/2015	Hale, Jr.	.....	D12/211
D741,776	S	*	10/2015	Zhao	.....	D12/211
D742,295	S	*	11/2015	Zhao	.....	D12/211
D742,799	S	*	11/2015	Zhao	.....	D12/211
D749,030	S	*	2/2016	Zhao	.....	D12/211
D749,486	S	*	2/2016	Huang	.....	D12/211
D753,041	S	*	4/2016	Kim	.....	D12/209
D758,278	S	*	6/2016	Behmer	.....	D12/211
D764,366	S	*	8/2016	Zhao	.....	D12/208

\* cited by examiner

*Primary Examiner* — Stacia Cadmus

(74) *Attorney, Agent, or Firm* — Karen B. Tripp

(57) **CLAIM**

The ornamental design for a wheel for an automobile, as shown and described.

**DESCRIPTION**

FIG. 1 is a front view of a wheel for an automobile showing my new design.

FIG. 2 is an enlargement of a portion of FIG. 1.

FIG. 3 is a side view of the wheel of FIG. 1.

FIG. 4 is a left perspective view of the wheel of FIG. 1.

FIG. 5 is an enlargement of a portion of FIG. 4; and,

FIG. 6 is a right perspective view of the wheel of FIG. 1.

**1 Claim, 6 Drawing Sheets**

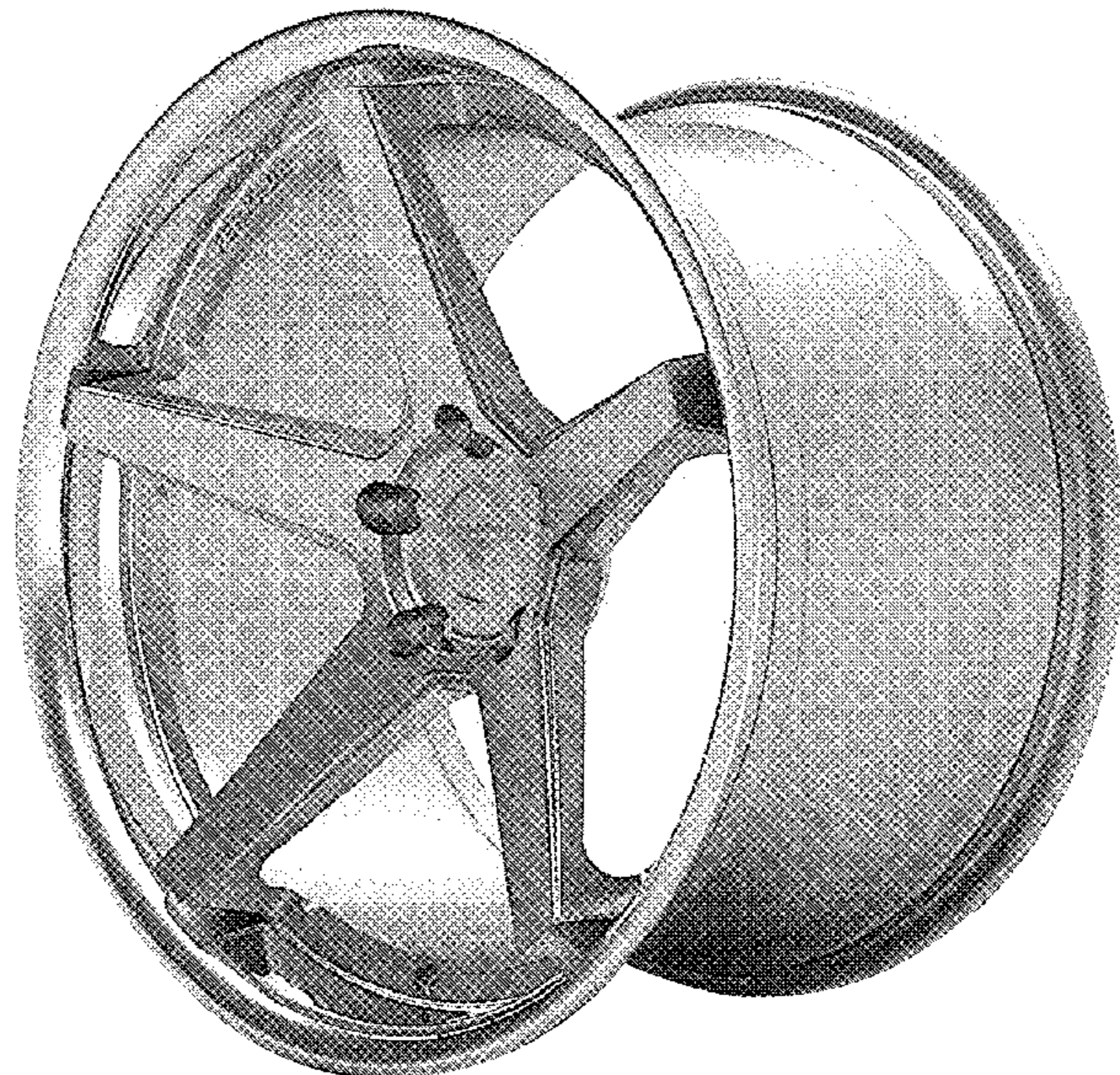
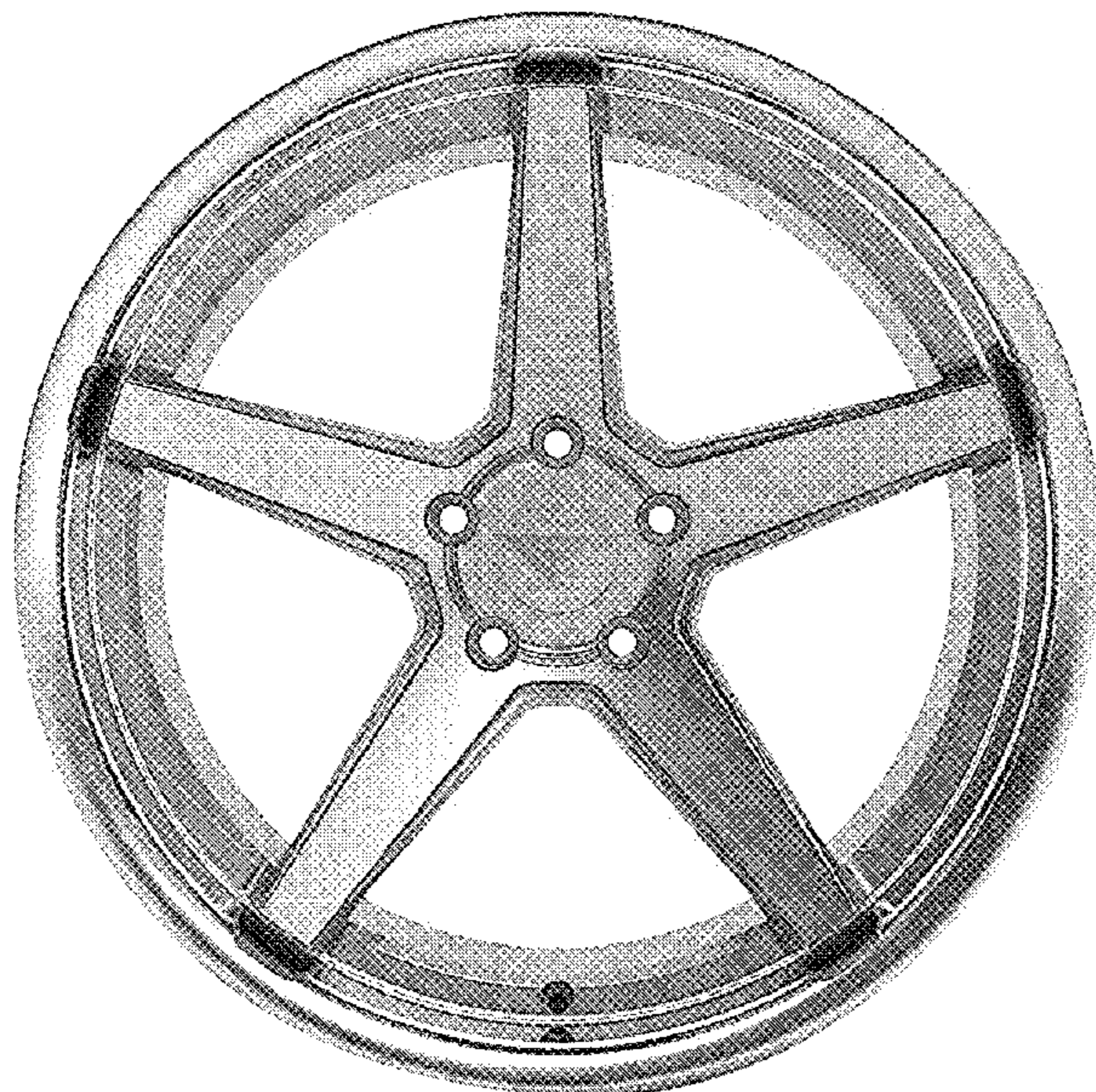




FIG 1



FIG 2

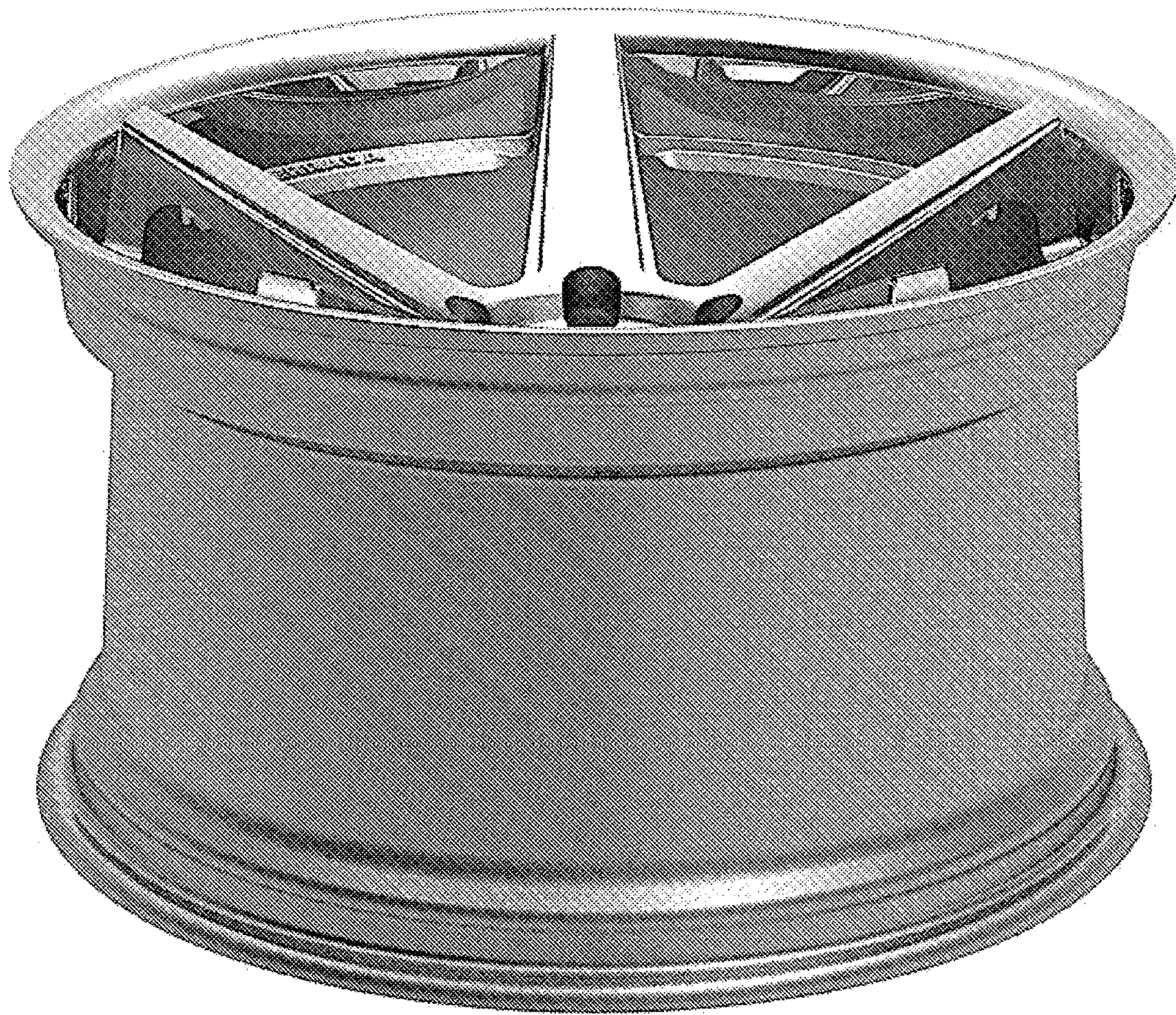


FIG 3



FIG 4

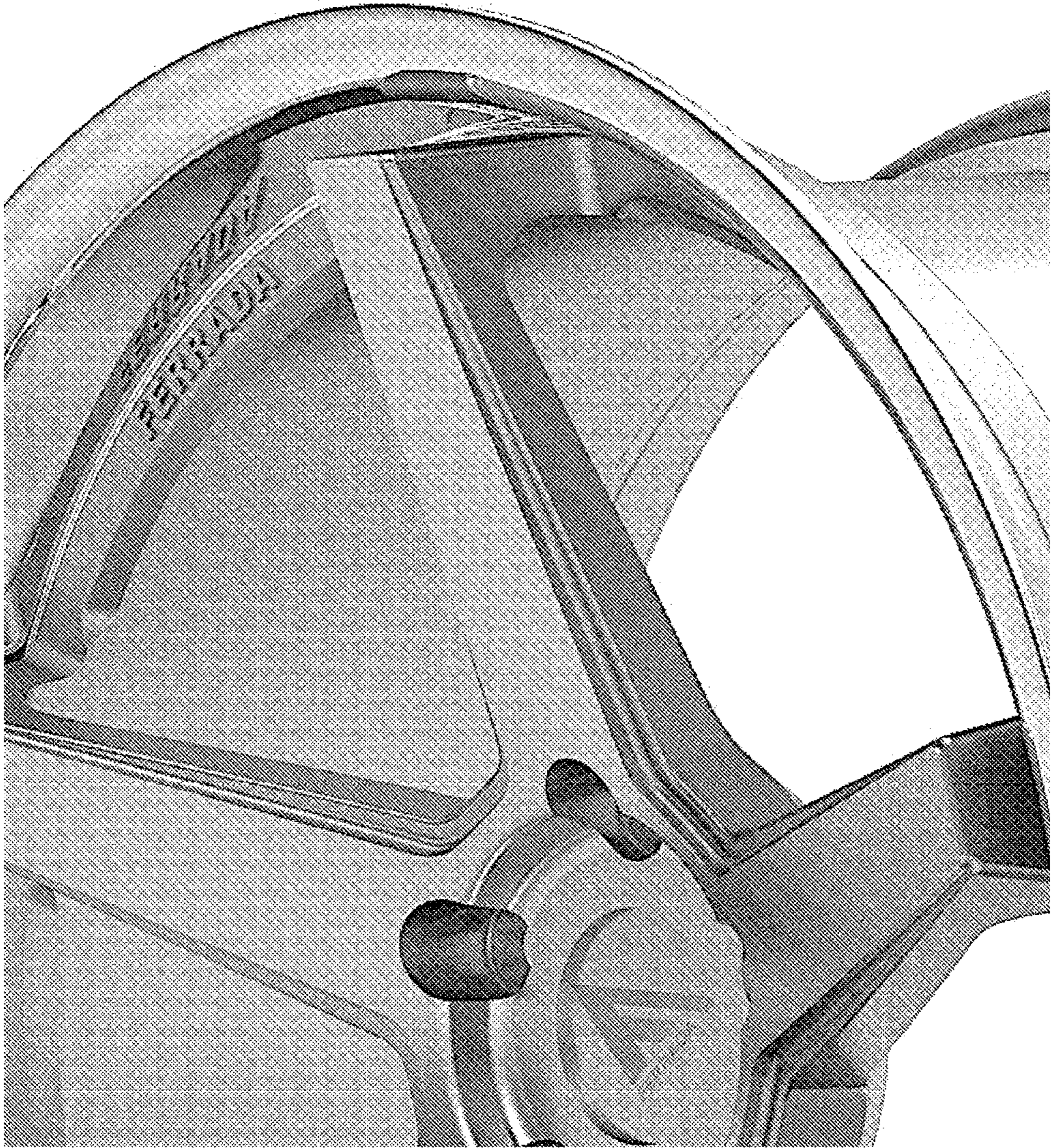


FIG 5



FIG 6