



US00D786159S

(12) **United States Design Patent**
Boyd

(10) **Patent No.:** **US D786,159 S**

(45) **Date of Patent:** **** May 9, 2017**

(54) **WHEEL**

(71) Applicant: **Lawrence Boyd**, Springfield, MO (US)

(72) Inventor: **Lawrence Boyd**, Springfield, MO (US)

(**) Term: **14 Years**

(21) Appl. No.: **29/506,108**

(22) Filed: **Oct. 13, 2014**

(51) **LOC (10) Cl.** **12-16**

(52) **U.S. Cl.**
USPC **D12/211**

(58) **Field of Classification Search**
USPC D12/204–213
CPC B60B 7/00; B60B 7/02; B60B 7/04; B60B
7/01; B60B 7/06; B60B 3/02; B60B 3/04;
B60B 3/06; B60B 3/10; B60B 1/00;
B60B 1/08; B60B 1/10; B60B 1/12
See application file for complete search history.

(56) **References Cited**

U.S. PATENT DOCUMENTS

| | | | | | |
|------------|---|---------|-----------|-------|---------|
| D432,974 S | * | 10/2000 | Jablonski | | D12/211 |
| D542,728 S | * | 5/2007 | Ichinose | | D12/211 |
| D552,525 S | * | 10/2007 | Celik | | D12/211 |
| D598,834 S | * | 8/2009 | Juergens | | D12/209 |
| D626,053 S | * | 10/2010 | Groom | | D12/211 |

| | | | | | |
|------------|---|---------|----------------|-------|---------|
| D663,668 S | * | 7/2012 | Pollmann | | D12/209 |
| D689,809 S | * | 9/2013 | Kim | | D12/209 |
| D697,008 S | * | 1/2014 | Juergens | | D12/209 |
| D718,206 S | * | 11/2014 | Song | | D12/211 |
| D726,626 S | * | 4/2015 | Mays | | D12/211 |
| D747,248 S | * | 1/2016 | Amezketta | | D12/209 |
| D748,034 S | * | 1/2016 | Hall | | D12/211 |
| D748,558 S | * | 2/2016 | Hans | | D12/211 |
| D749,029 S | * | 2/2016 | Wheel | | D12/211 |
| D753,574 S | * | 4/2016 | Mielke | | D12/211 |
| D755,690 S | * | 5/2016 | von Tardy-Tuch | | D12/209 |
| D759,559 S | * | 6/2016 | Mielke | | D12/209 |
| D762,155 S | * | 7/2016 | Juergens | | D12/211 |
| D763,765 S | * | 8/2016 | Boyd | | D12/211 |

* cited by examiner

Primary Examiner — Stacia Cadmus

(74) *Attorney, Agent, or Firm* — Donn K. Harms

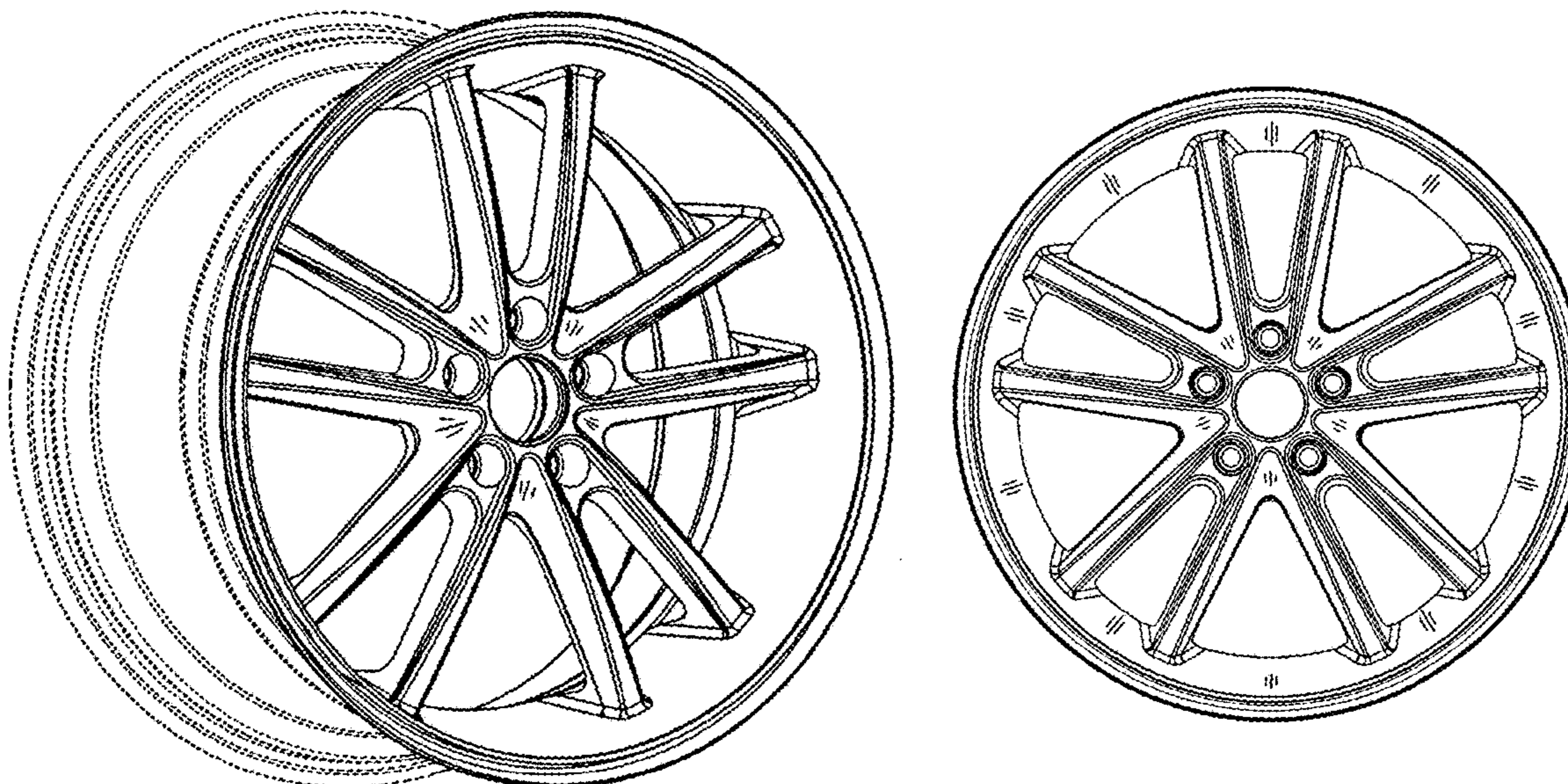
(57) **CLAIM**

The ornamental design for a wheel, as shown and described.

DESCRIPTION

FIG. 1 is a front perspective view of the wheel; and, FIG. 2 is a front view of the wheel, it being understood that the ornamental design of FIGS. 1 and 2 are not expressed in top, bottom and side views and thus they are omitted. The broken line showing of the rear portion of the wheel is included for the purpose of illustrating environment and forms no part of the claimed design.

1 Claim, 2 Drawing Sheets



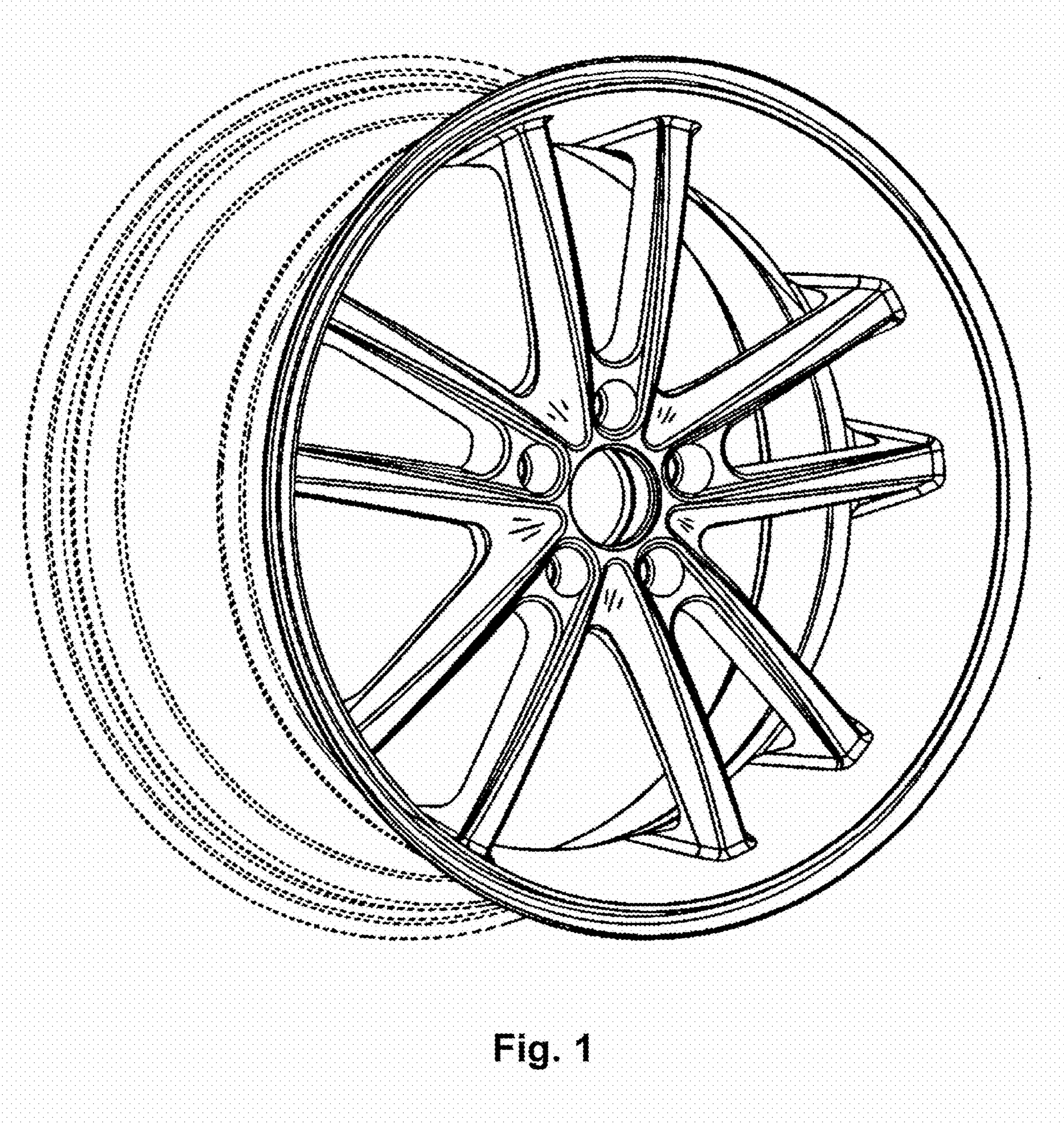


Fig. 1

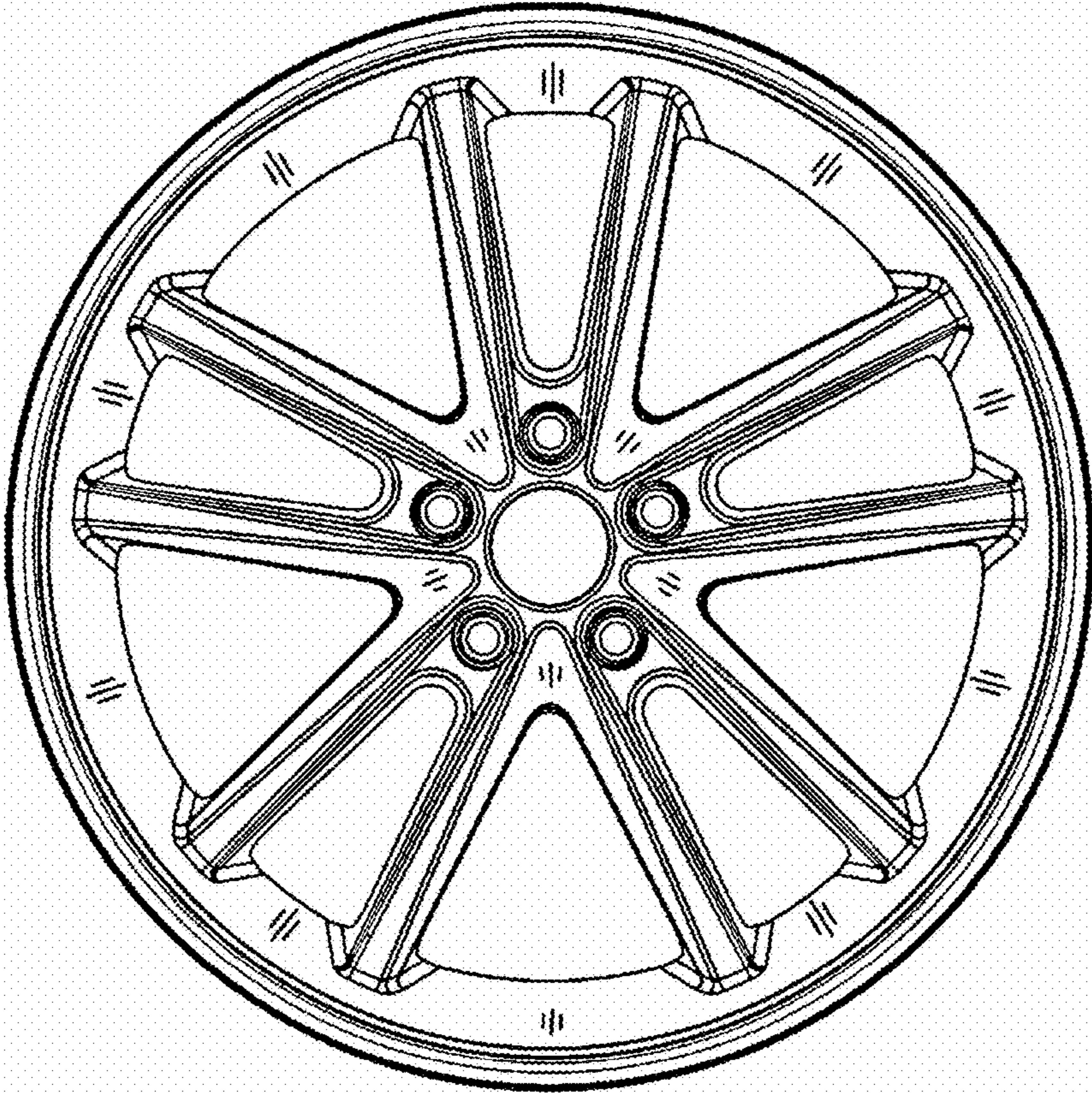


Fig. 2