



US00D786154S

(12) **United States Design Patent**
Castaman et al.

(10) **Patent No.:** **US D786,154 S**

(45) **Date of Patent:** **** May 9, 2017**

(54) **STEERING WHEEL**

(71) Applicant: **Tesla Motors, Inc.**, Palo Alto, CA (US)

(72) Inventors: **Rodrigo Castaman**, South Pasadena, CA (US); **Sahm Jafari**, Arcadia, CA (US); **Ivan Lampkin**, Redondo Beach, CA (US); **Franz Von Holzhausen**, Malibu, CA (US)

(73) Assignee: **Tesla, Inc.**, Palo Alto, CA (US)

(**) Term: **15 Years**

(21) Appl. No.: **29/559,720**

(22) Filed: **Mar. 30, 2016**

(51) **LOC (10) Cl.** **12-16**

(52) **U.S. Cl.**
USPC **D12/176**

(58) **Field of Classification Search**
USPC D12/175, 176; 74/552, 558, 558.5
CPC B60R 21/203; B60R 21/05; B62D 1/04
See application file for complete search history.

(56) **References Cited**

U.S. PATENT DOCUMENTS

D406,805 S * 3/1999 Sacco D12/176
D420,963 S * 2/2000 Conterno D12/176

D464,298 S * 10/2002 Bartholomai D12/176
D532,351 S * 11/2006 Saito D12/176
D651,542 S * 1/2012 Nagasawa D12/176
D700,118 S * 2/2014 Hardin D12/176
D735,099 S * 7/2015 Ritchie D12/176

* cited by examiner

Primary Examiner — Melody N Brown

(74) *Attorney, Agent, or Firm* — Garlick & Markison;
Bruce E. Garlick

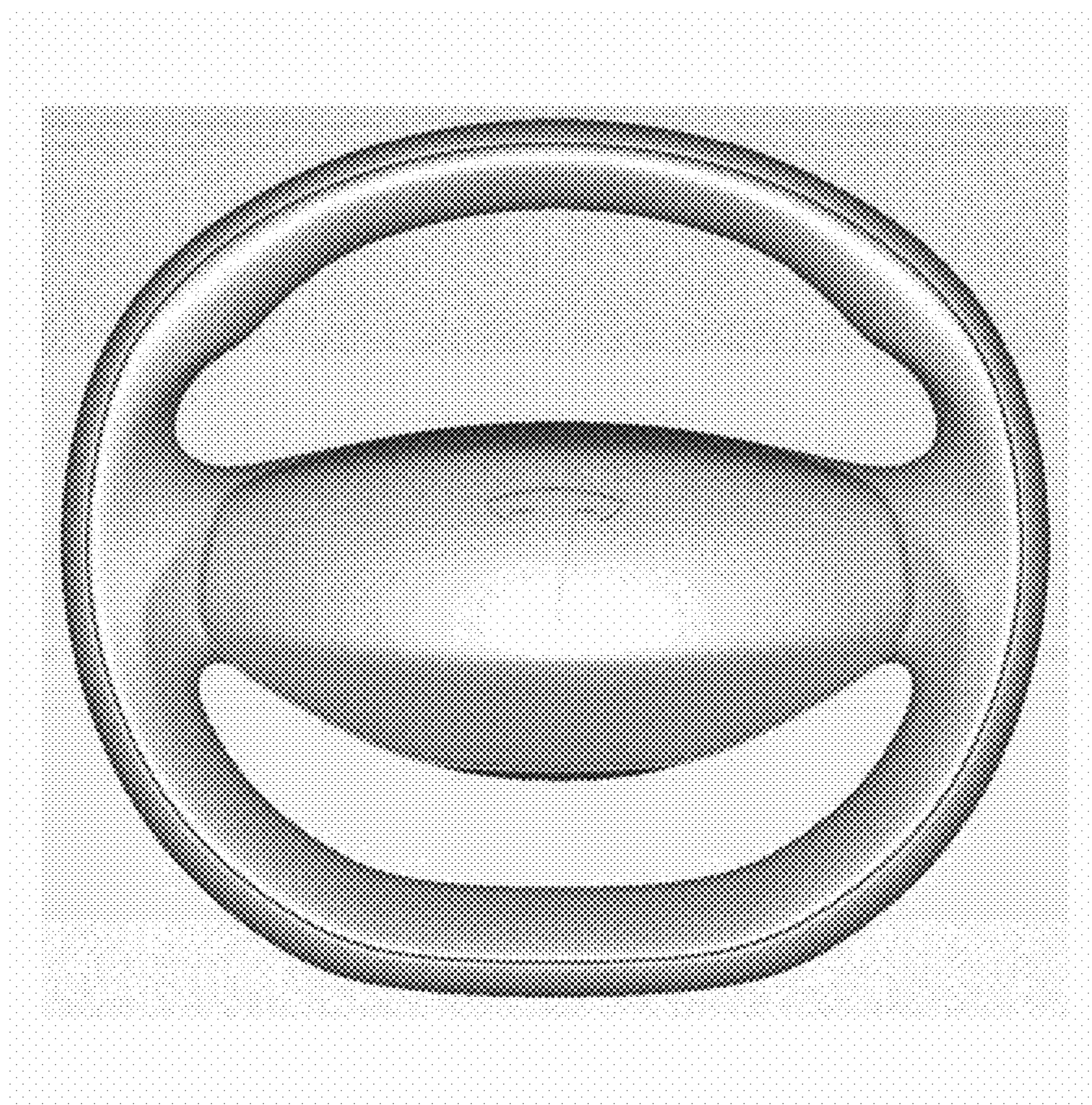
(57) **CLAIM**

The ornamental design for a steering wheel, substantially as shown and described.

DESCRIPTION

FIG. 1 is a front view of a steering wheel.
FIG. 2 is a perspective view thereof.
FIG. 3 is a top view thereof; and,
FIG. 4 is a side view thereof.
The symbol shown in the center of the steering wheel in FIGS. 1-2 is for illustrative purposes only and forms no part of the claimed design.

1 Claim, 4 Drawing Sheets



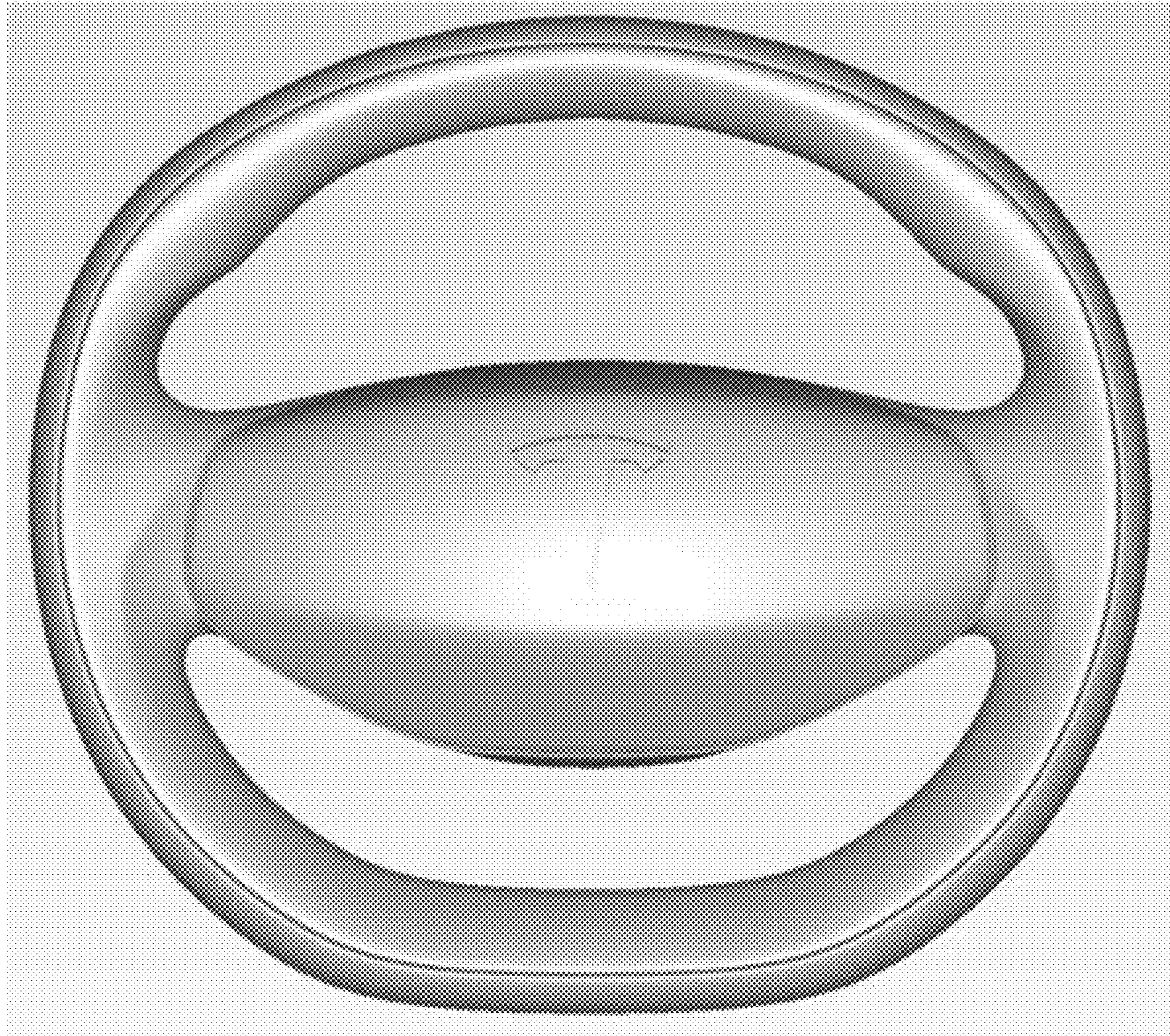


FIG. 1

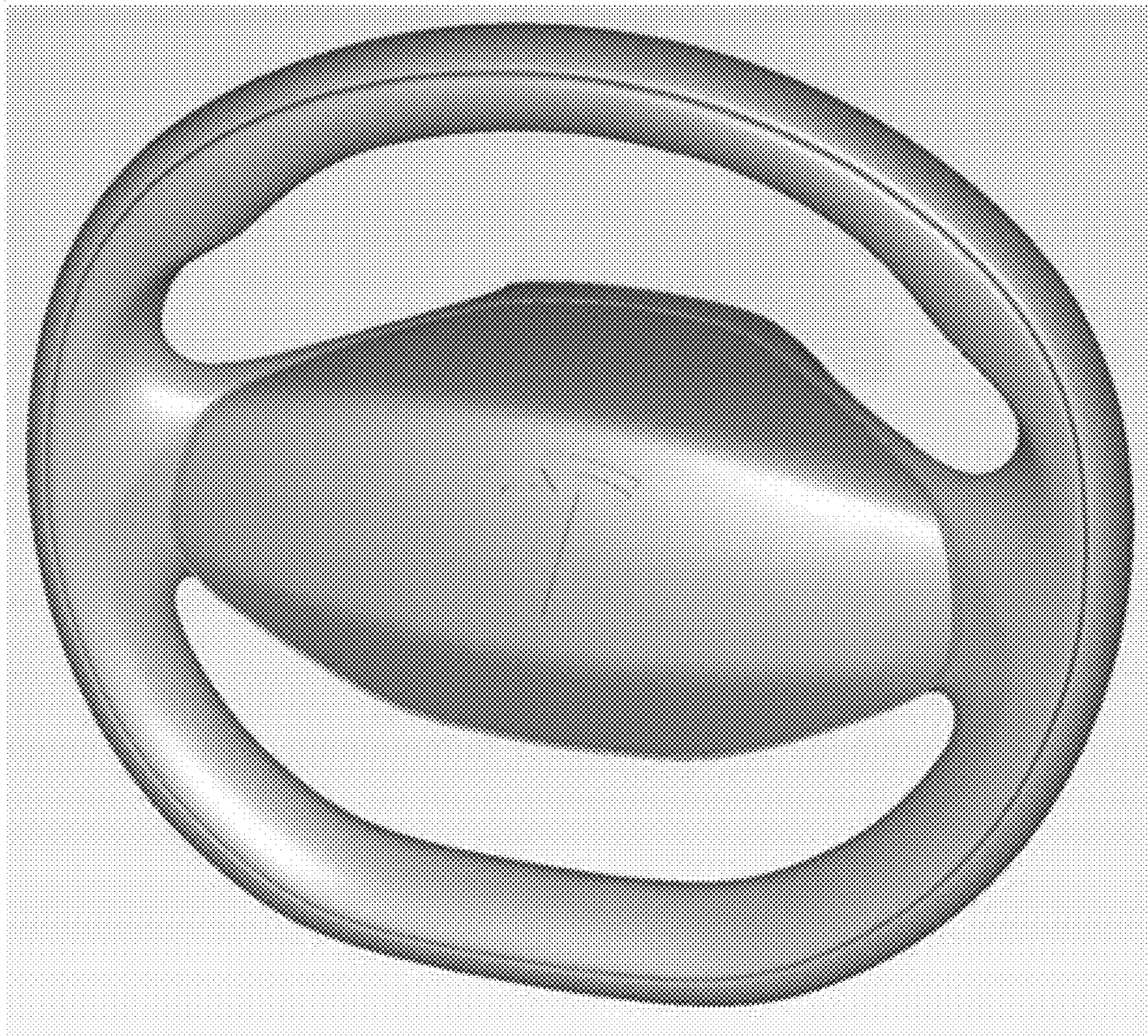


FIG. 2

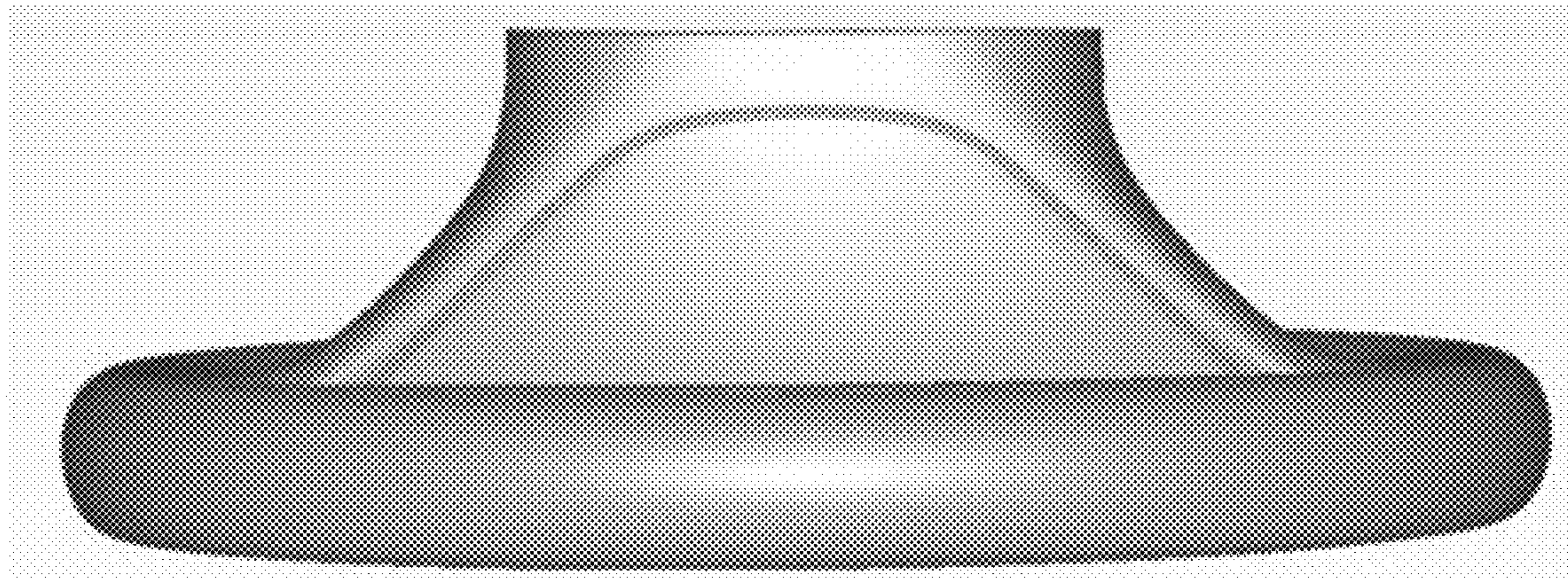


FIG. 3

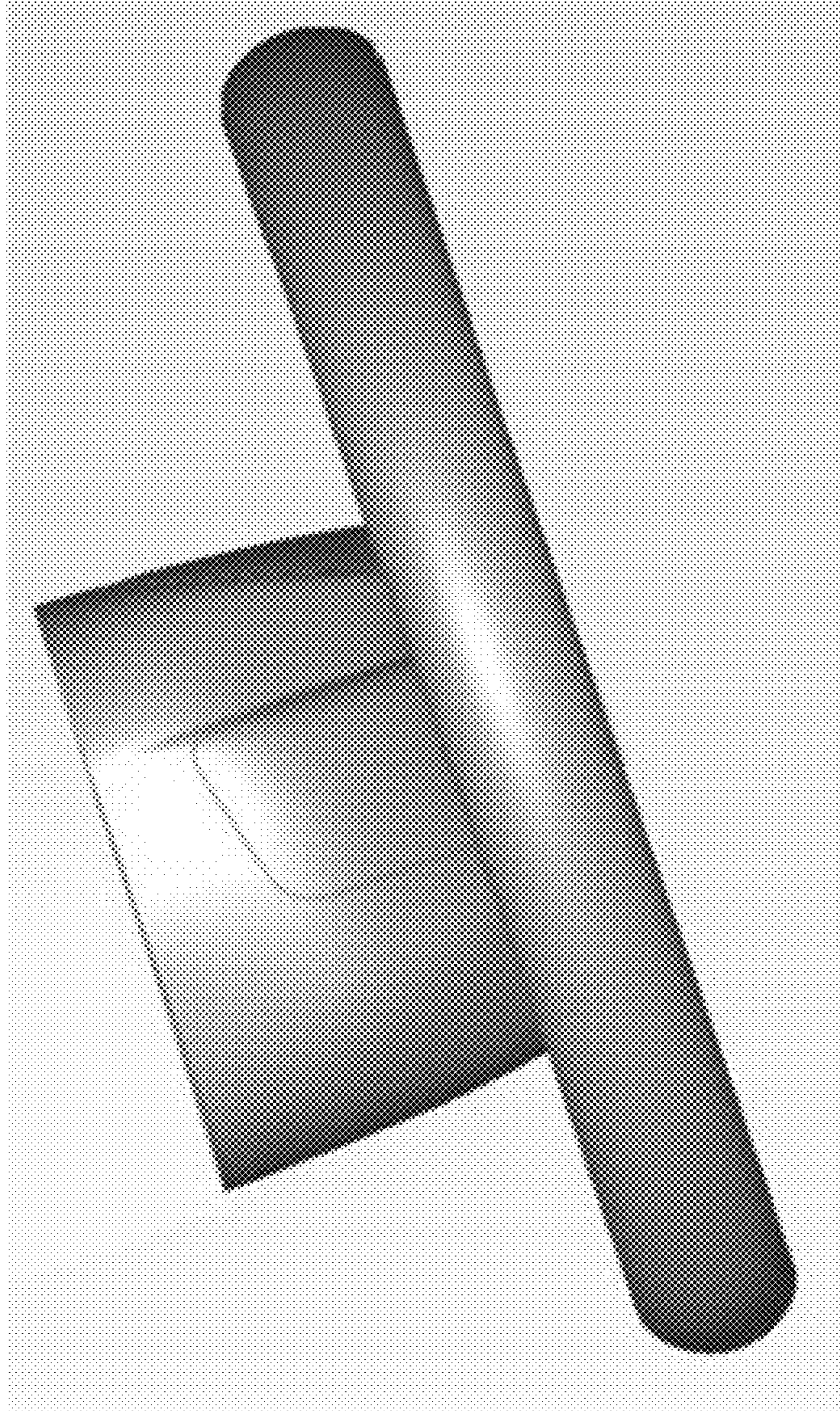


FIG. 4