



US00D786153S

(12) **United States Design Patent** (10) **Patent No.:** **US D786,153 S**  
**Callum et al.** (45) **Date of Patent:** **\*\* May 9, 2017**

(54) **VEHICLE STEERING WHEEL**  
(71) Applicant: **Ford Global Technologies, LLC**,  
Dearborn, MI (US)  
(72) Inventors: **Moray S. Callum**, Ann Arbor, MI  
(US); **Soo Kang-Morales**, Northville,  
MI (US); **Robert Gelardi**, Dearborn,  
MI (US); **John Ingle**, Grosse Pointe,  
MI (US); **David Woodhouse**, Troy, MI  
(US)  
(73) Assignee: **Ford Global Technologies, LLC**,  
Dearborn, MI (US)  
(\*\*) Term: **15 Years**  
(21) Appl. No.: **29/505,614**  
(22) Filed: **Dec. 23, 2015**  
(51) **LOC (10) Cl.** ..... **12-16**  
(52) **U.S. Cl.**  
USPC ..... **D12/176**  
(58) **Field of Classification Search**  
USPC ..... D12/175, 176; 74/552, 558, 558.5  
CPC ..... B60R 21/203; B60R 21/05; B62D 1/04  
See application file for complete search history.

D653,180 S \* 1/2012 Tanaka ..... D12/176  
D692,813 S \* 11/2013 Koyama ..... D12/175  
D706,186 S \* 6/2014 Fukaya ..... D12/176  
D706,187 S \* 6/2014 Tilscher ..... D12/176  
D741,759 S \* 10/2015 Persson ..... D12/176  
D773,968 S \* 12/2016 Blachere ..... D12/176

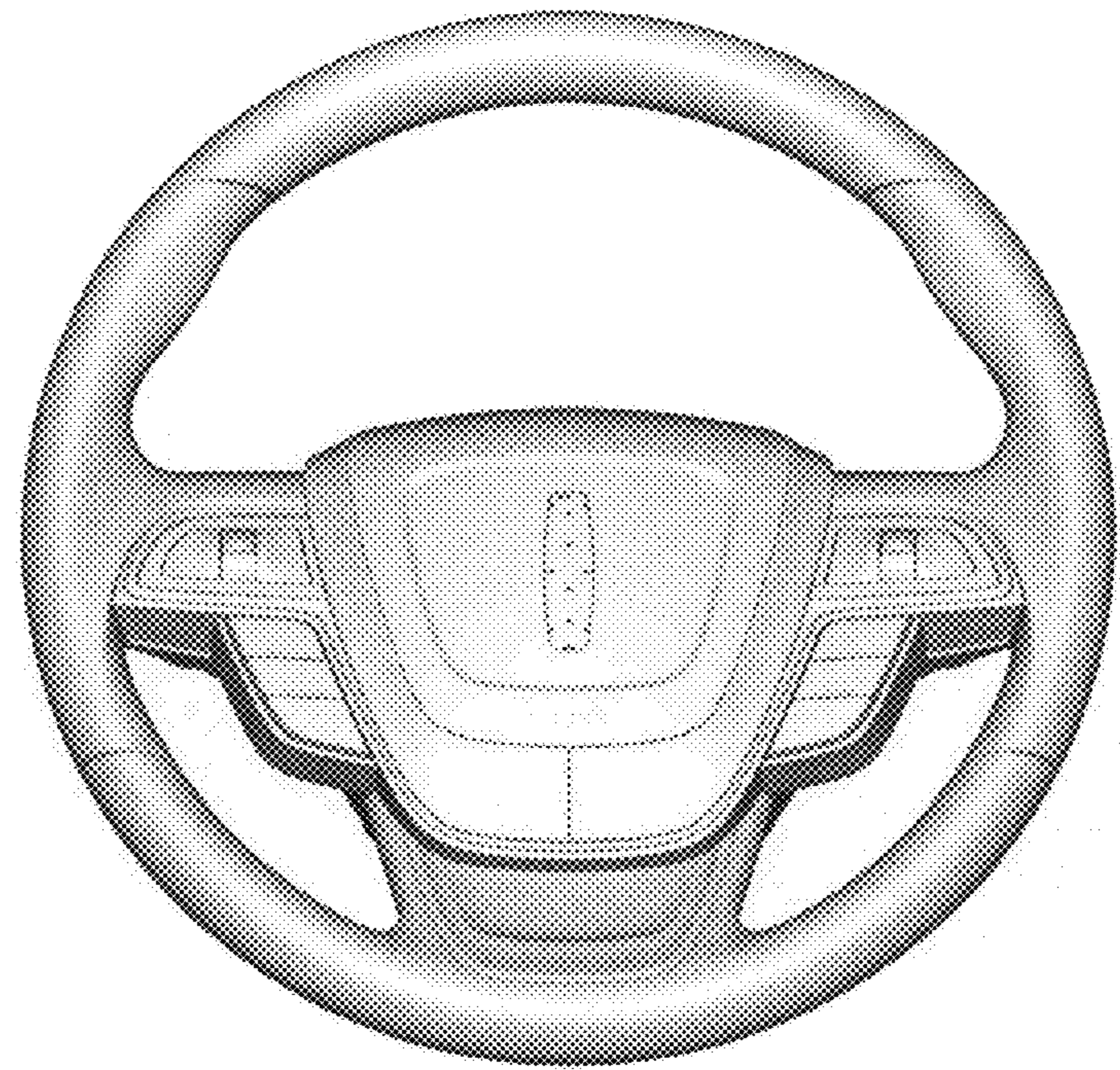
\* cited by examiner  
*Primary Examiner* — Melody N Brown  
(74) *Attorney, Agent, or Firm* — Damian Porcari

(57) **CLAIM**  
The ornamental design for a vehicle steering wheel, as  
shown and described.

**DESCRIPTION**  
FIG. 1 is a top right perspective view of a vehicle steering  
wheel;  
FIG. 2 is a bottom right perspective view of the vehicle  
steering wheel;  
FIG. 3 is a bottom left perspective view of the vehicle  
steering wheel;  
FIG. 4 is a front elevational view of the vehicle steering  
wheel;  
FIG. 5 is a rear elevational view of the vehicle steering  
wheel;  
FIG. 6 is a left side elevational view of the vehicle steering  
wheel;  
FIG. 7 is a right side elevational view of the vehicle steering  
wheel;  
FIG. 8 is a top plan view of the vehicle steering wheel; and,  
FIG. 9 is a bottom plan view of the vehicle steering wheel.

(56) **References Cited**  
U.S. PATENT DOCUMENTS  
D635,900 S \* 4/2011 Anzi ..... D12/176  
D640,619 S \* 6/2011 Araki ..... D12/176  
D651,542 S \* 1/2012 Nagasawa ..... D12/176  
D651,543 S \* 1/2012 Ali ..... D12/176

**1 Claim, 9 Drawing Sheets**



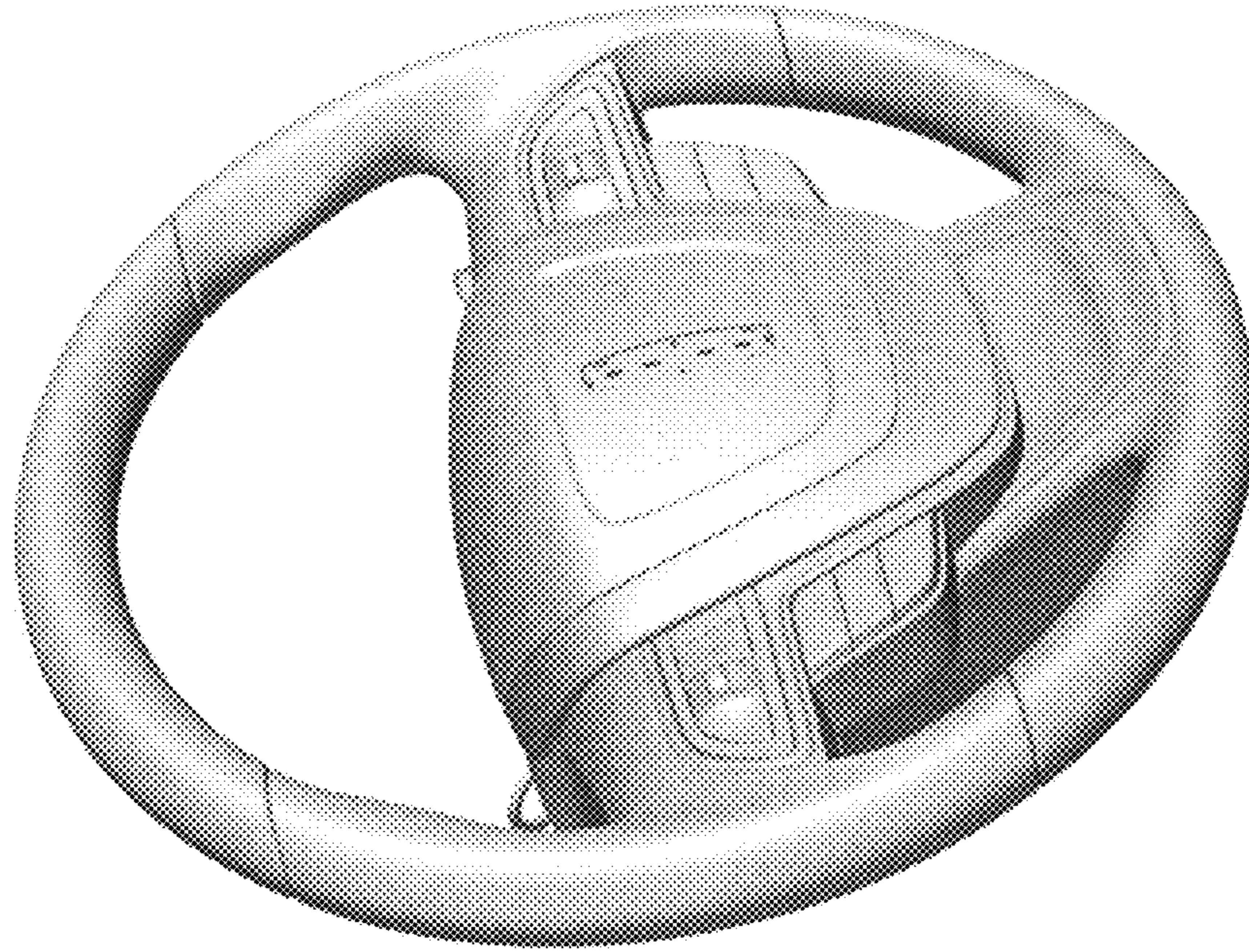


Figure 1

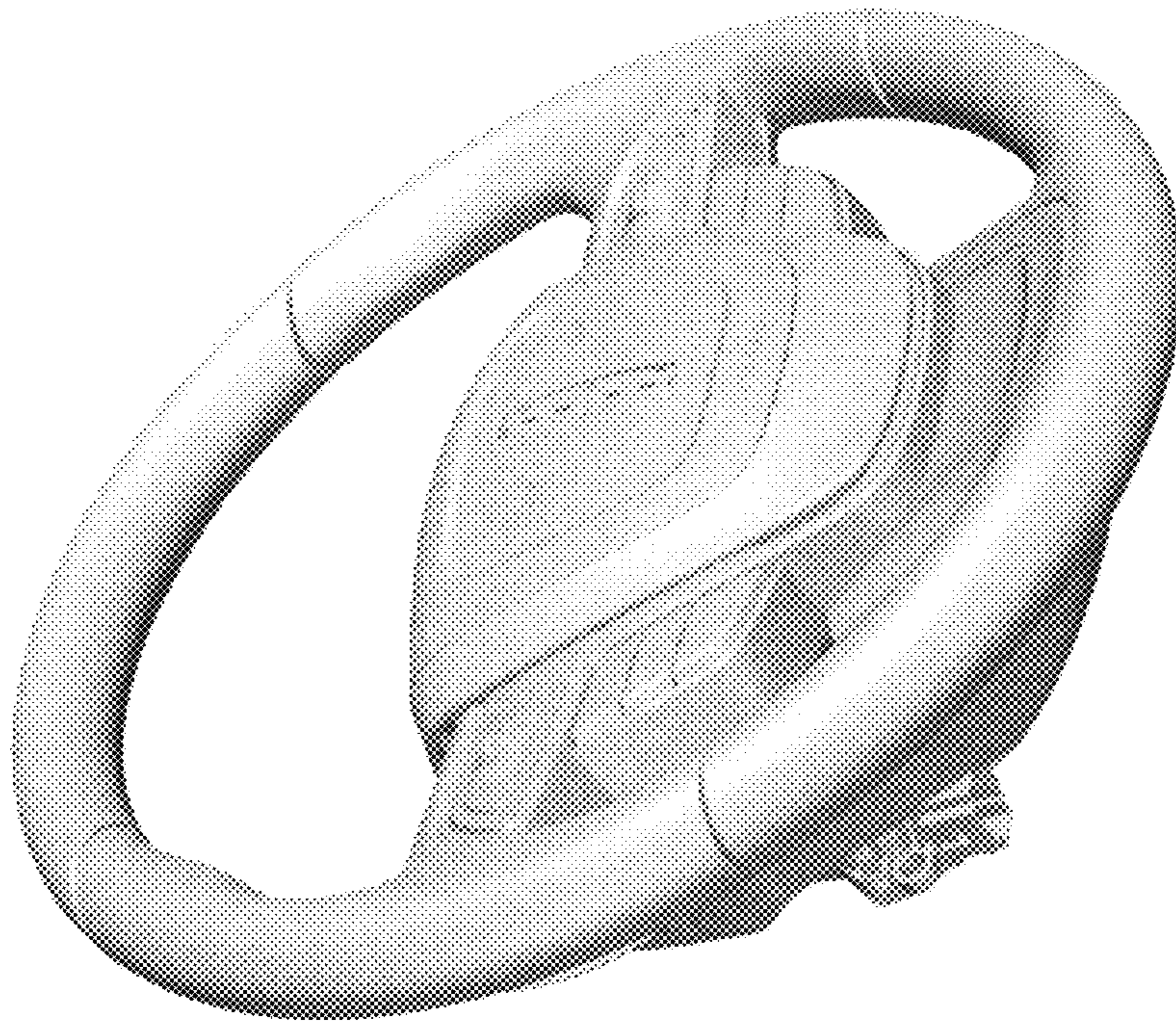


Figure 2

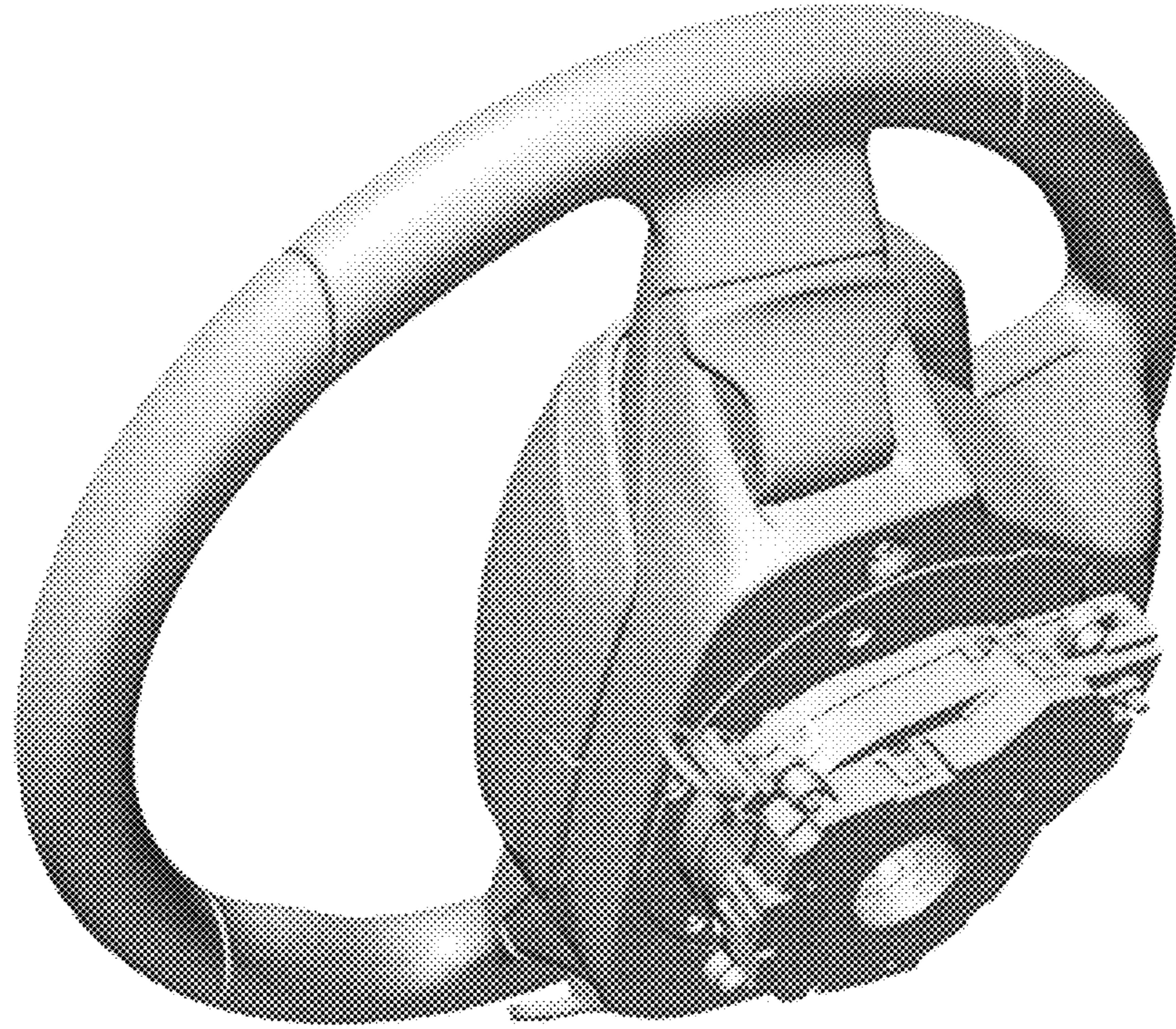


Figure 3

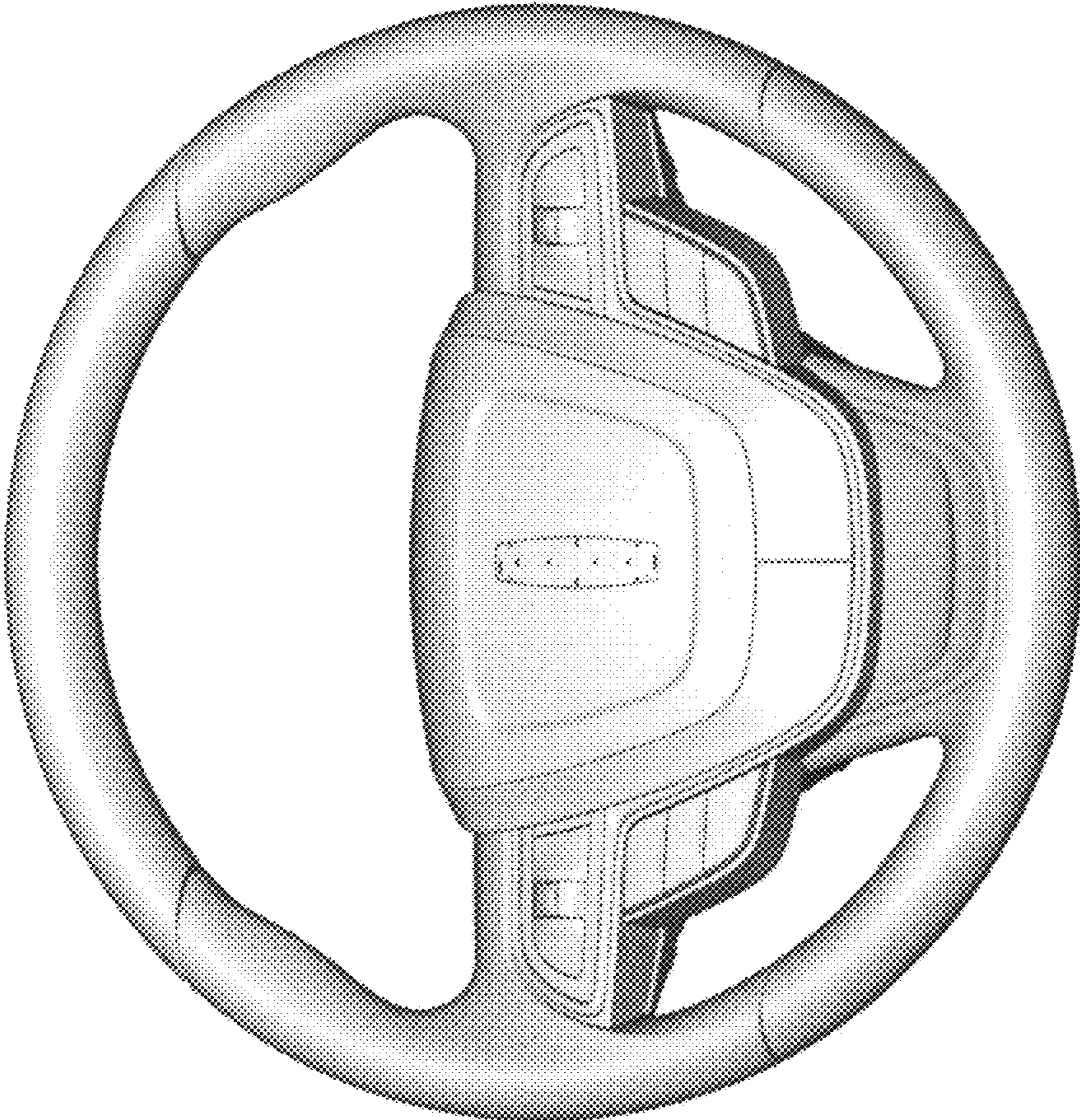


Figure 4

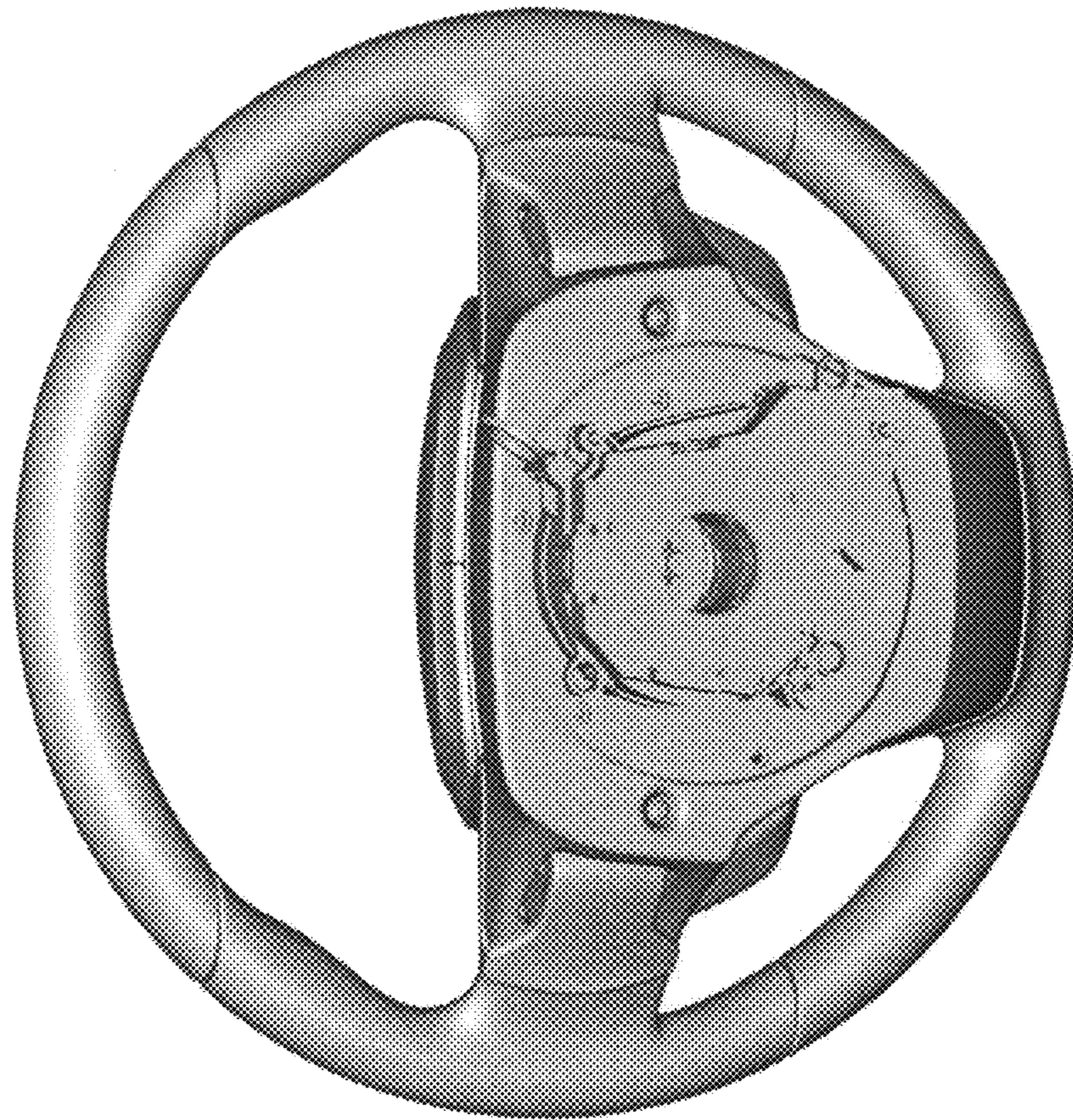


Figure 5

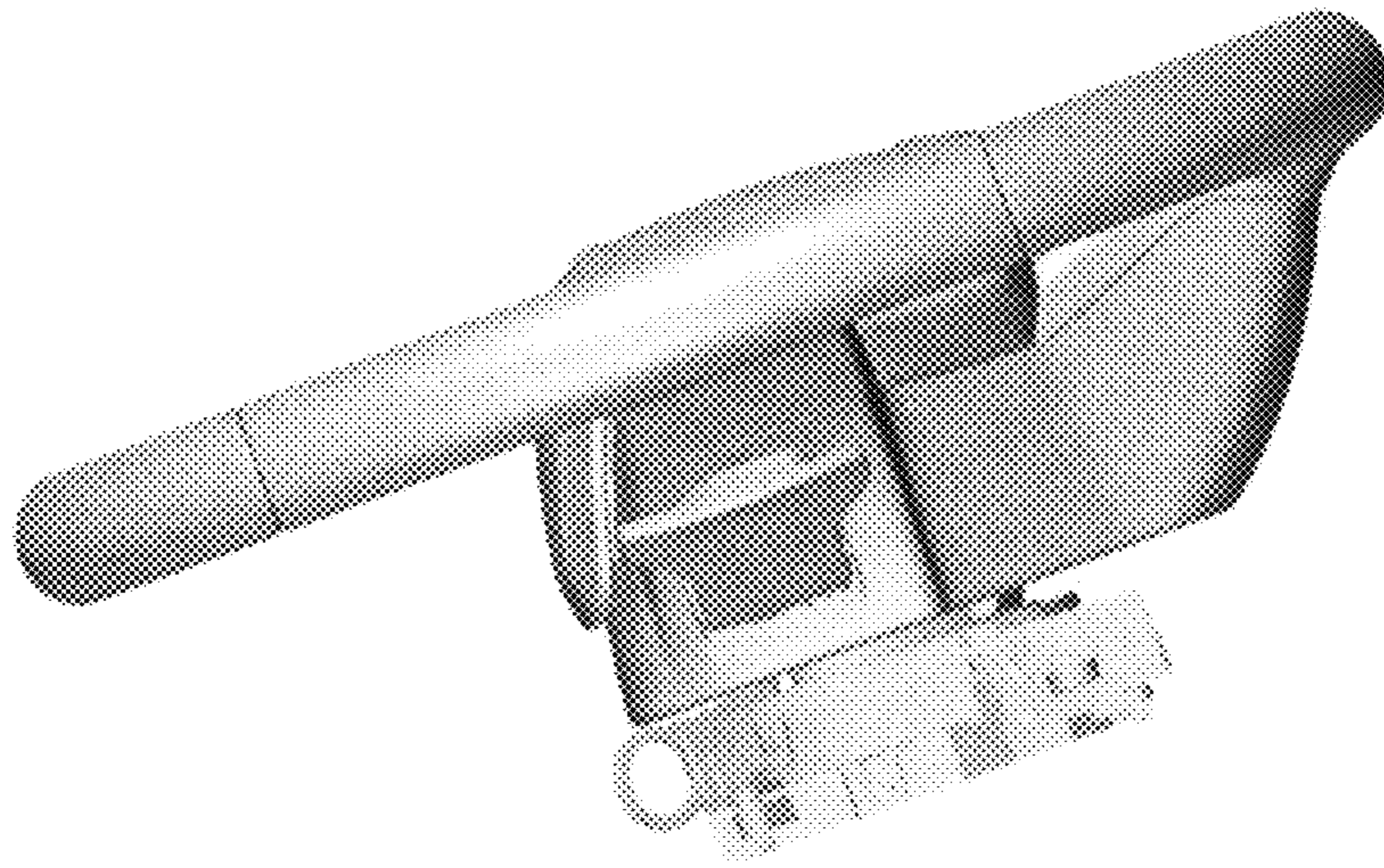


Figure 6

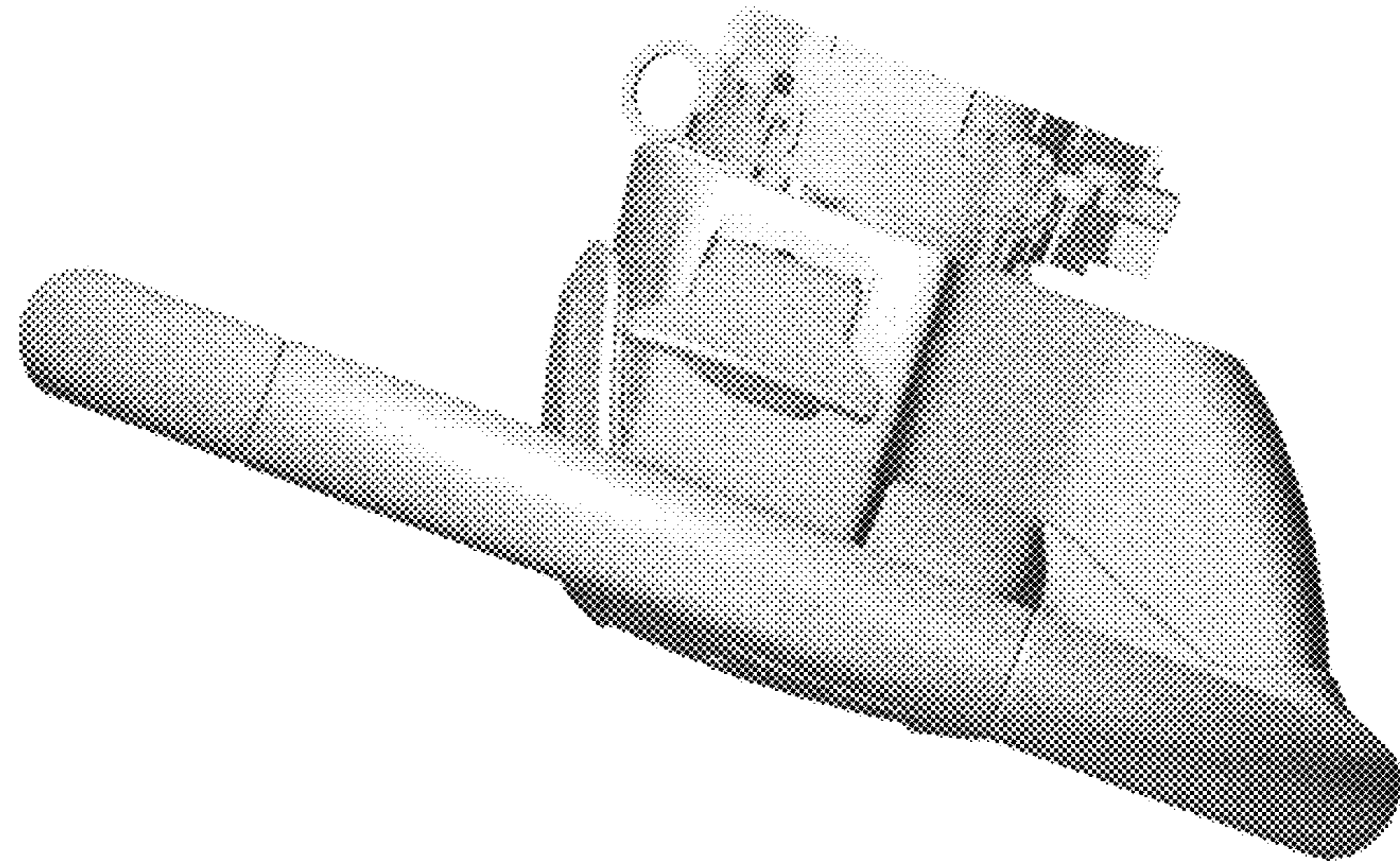


Figure 7



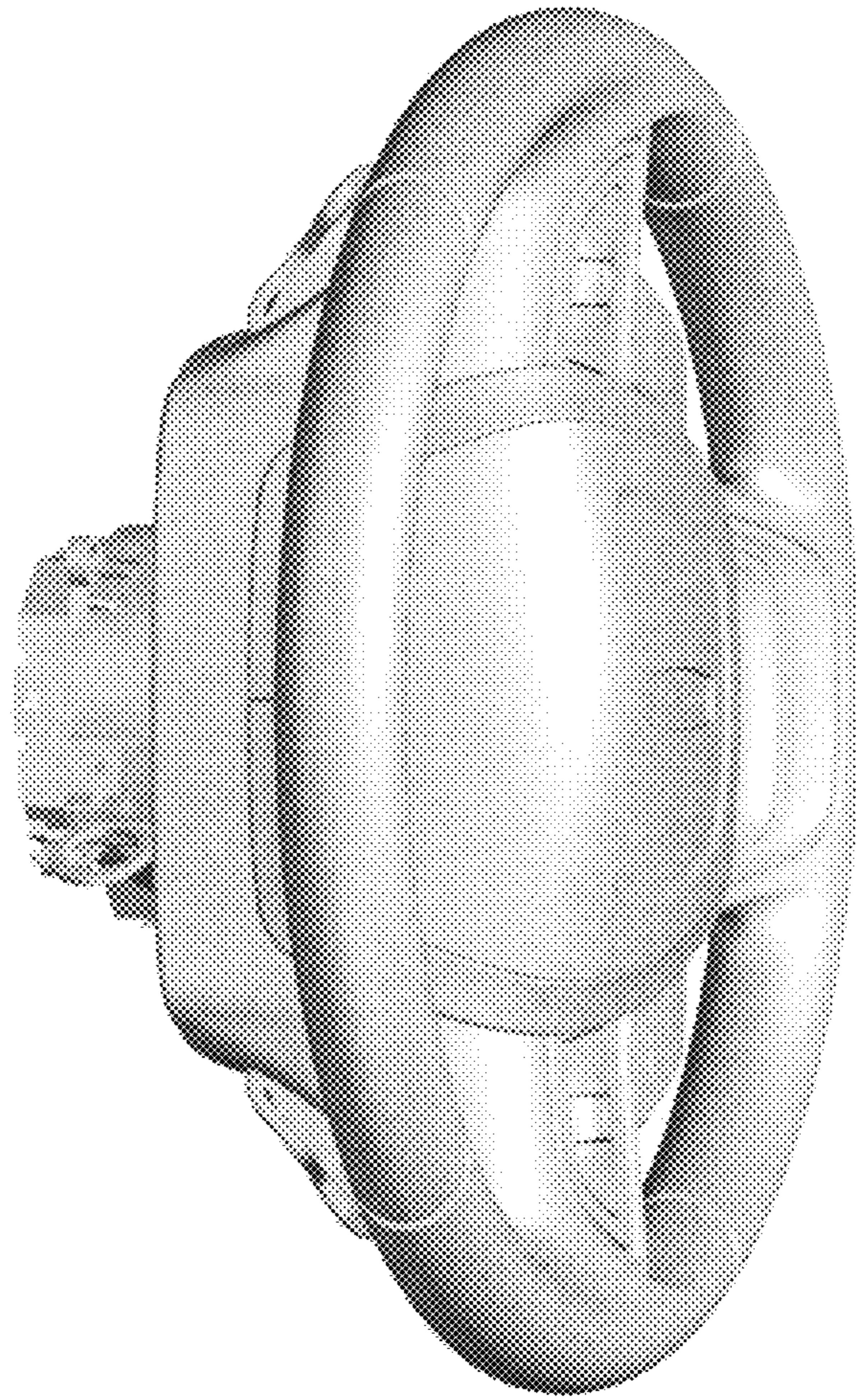


Figure 8

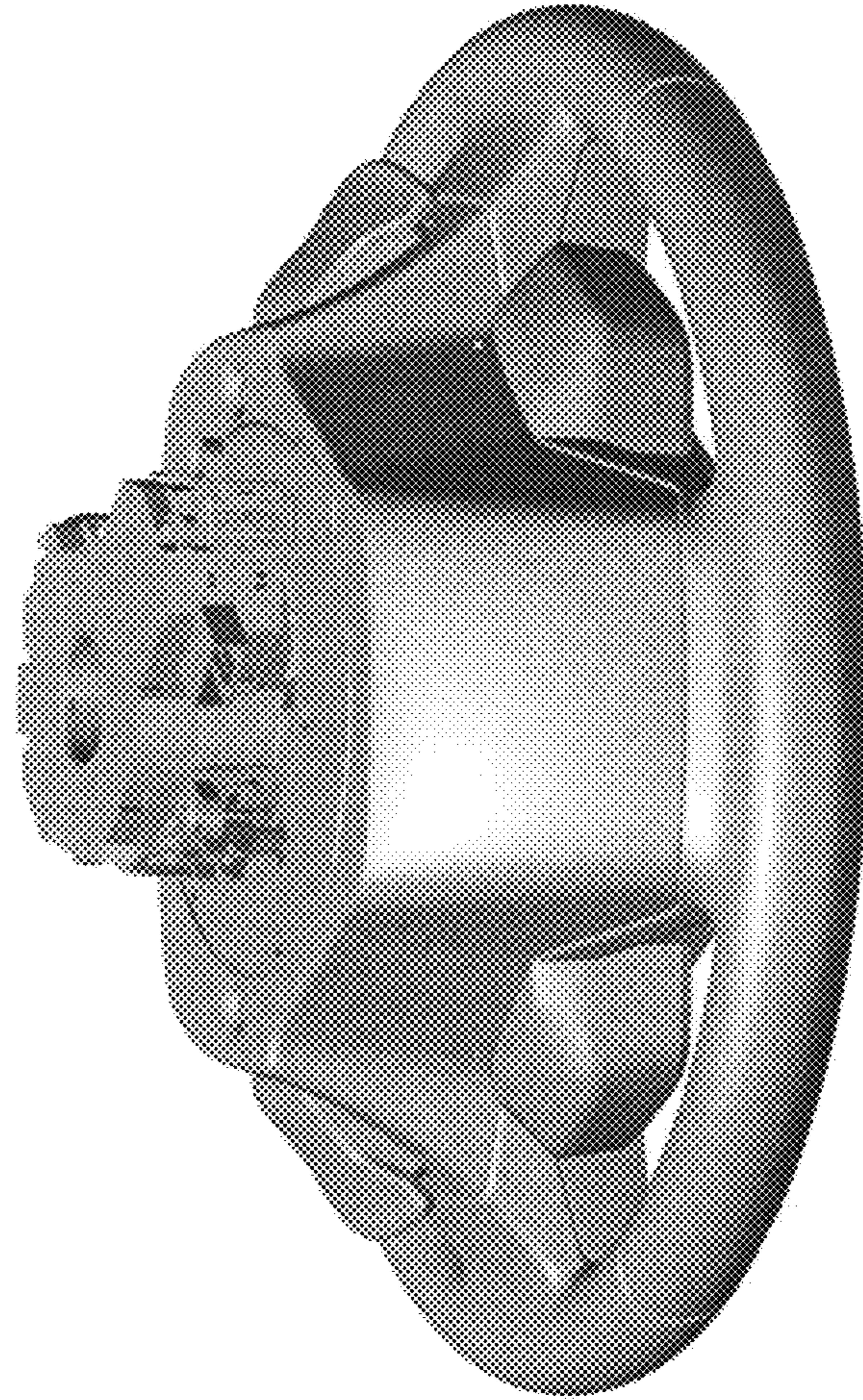


Figure 9