



US00D786152S

(12) **United States Design Patent** (10) **Patent No.:** **US D786,152 S**  
**Wotton et al.** (45) **Date of Patent:** **\*\* May 9, 2017**

(54) **RADIATOR GUARD**  
(71) Applicant: **Polaris Industries Inc.**, Medina, MN (US)  
(72) Inventors: **Geoffrey Wotton**, Battle Ground, MN (US); **Mark Powell**, Camas, MN (US)  
(73) Assignee: **Polaris Industries Inc.**, Medina, MN (US)

D528,481 S \* 9/2006 Taveras ..... D12/171  
D578,444 S \* 10/2008 Kuo ..... D12/163  
D615,007 S \* 5/2010 Kasai ..... D12/163  
D619,511 S \* 7/2010 Sullivan ..... D12/166  
D647,436 S \* 10/2011 Sullivan ..... D12/166  
D686,543 S \* 7/2013 Weil ..... D12/163  
D713,765 S \* 9/2014 Peltola ..... D12/163  
D717,218 S \* 11/2014 Tafe ..... D12/166  
D717,702 S \* 11/2014 McCardle ..... D12/166  
D746,732 S \* 1/2016 Pruitt ..... D12/166  
D751,472 S \* 3/2016 Pruitt ..... D12/166  
D770,335 S \* 11/2016 Walterscheid ..... D12/163

(\*\*) Term: **15 Years**

**OTHER PUBLICATIONS**

(21) Appl. No.: **29/543,868**  
(22) Filed: **Oct. 29, 2015**  
(51) **LOC (10) Cl.** ..... **12-16**  
(52) **U.S. Cl.**  
USPC ..... **D12/171; D12/163**  
(58) **Field of Classification Search**  
USPC ..... D12/86, 90, 91, 92, 163, 169, 196, 171,  
D12/216; D15/31; 180/68.1, 68.6;  
293/103, 115, 117, 120, 193.1, 193.11  
CPC . B60R 19/52; B60R 2019/525; B60K 11/085;  
B62D 25/084; H01Q 1/32  
See application file for complete search history.

Image 1: Radiator guard with KTM logo; circa Oct. 2, 2015;  
<https://www.bulletproofdesigns.com/products/type/radiator-guards.html>.  
Image 2: Radiator guard with SRT Logo; circa Oct. 2, 2015;  
<http://www.srtoffroad.com/taxonomy/term/12>.

\* cited by examiner

*Primary Examiner* — Darlington Ly  
(74) *Attorney, Agent, or Firm* — Faegre Baker Daniels LLP

(57) **CLAIM**

The ornamental design for a radiator guard, as shown.

(56) **References Cited**

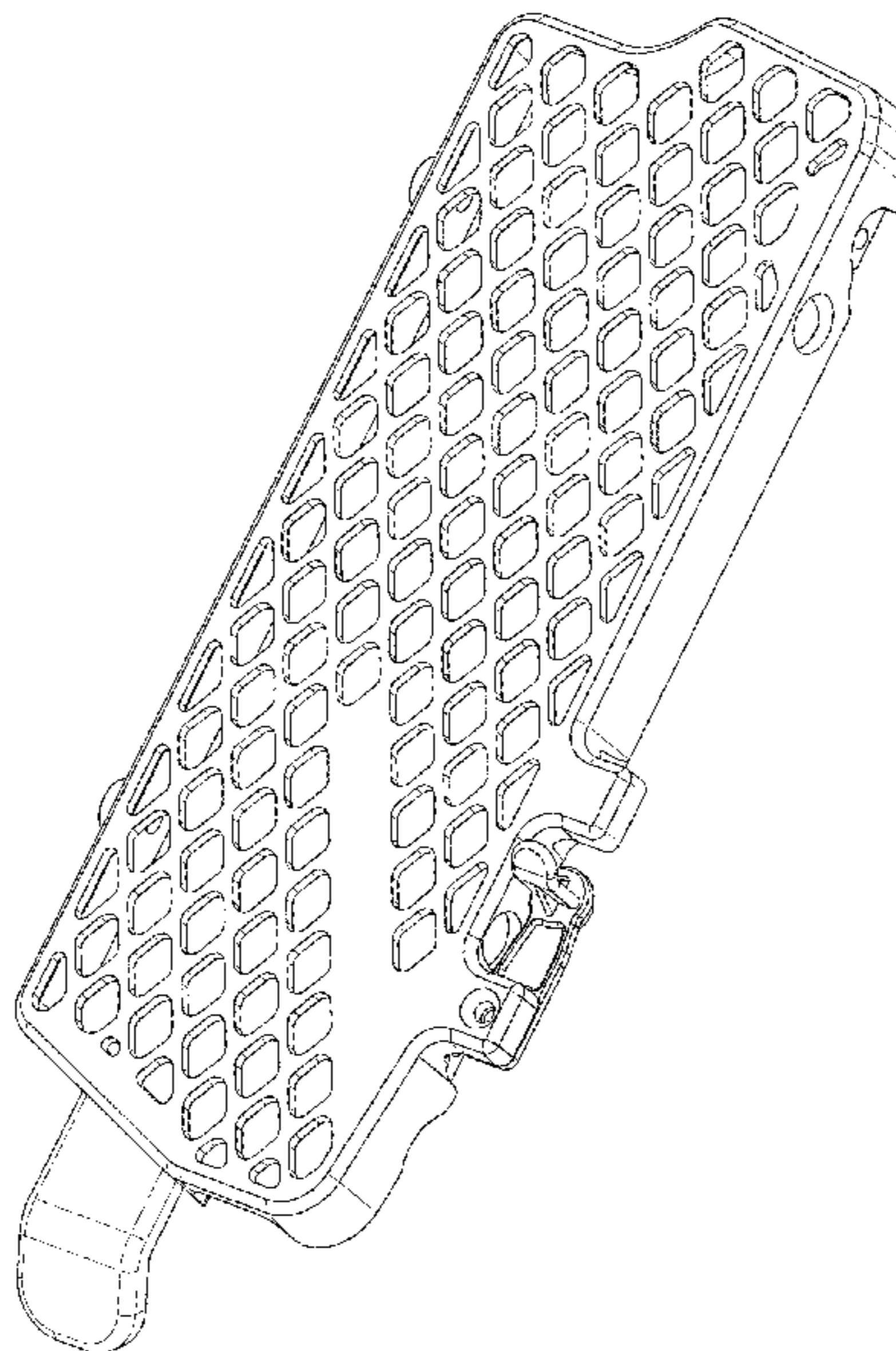
**DESCRIPTION**

**U.S. PATENT DOCUMENTS**

D259,873 S \* 7/1981 Milner ..... D12/171  
D317,585 S \* 6/1991 Uchida ..... D12/163  
D319,205 S \* 8/1991 Heck ..... D12/171  
5,613,551 A \* 3/1997 Rhodes ..... F28F 9/001  
165/149  
D410,219 S \* 5/1999 Bangle ..... D12/163  
D423,661 S \* 4/2000 Pelonis ..... D23/395  
D429,195 S \* 8/2000 Gabath ..... D12/163  
D506,167 S \* 6/2005 Wu ..... D12/163  
D515,987 S \* 2/2006 Yamamoto ..... D12/163

FIG. 1 is a perspective view of a radiator guard showing our new design;  
FIG. 2 is a top view thereof;  
FIG. 3 is a front view thereof;  
FIG. 4 is a right side view thereof;  
FIG. 5 is a left side view thereof;  
FIG. 6 is a bottom view thereof; and,  
FIG. 7 is a back view thereof.

**1 Claim, 7 Drawing Sheets**



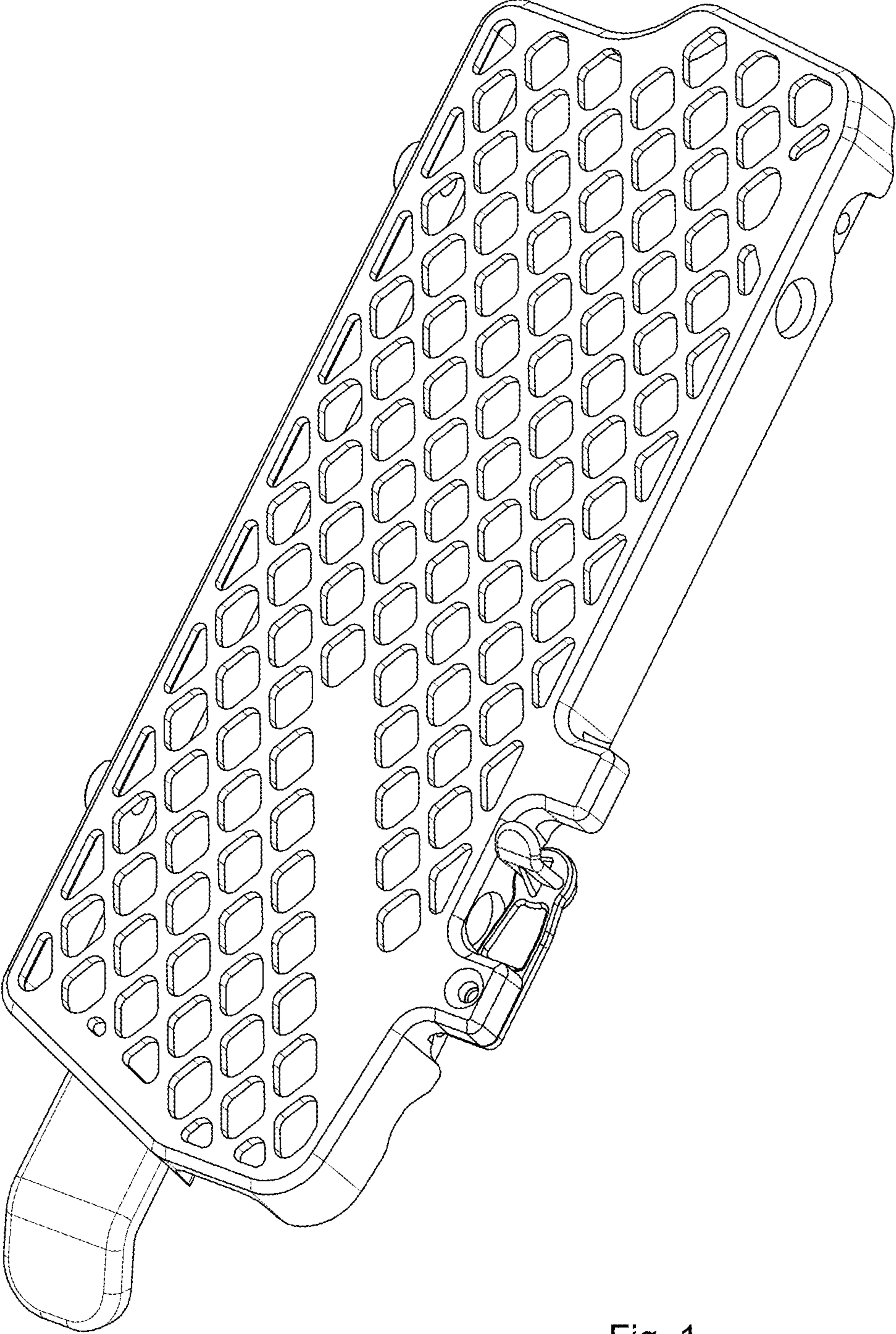


Fig. 1

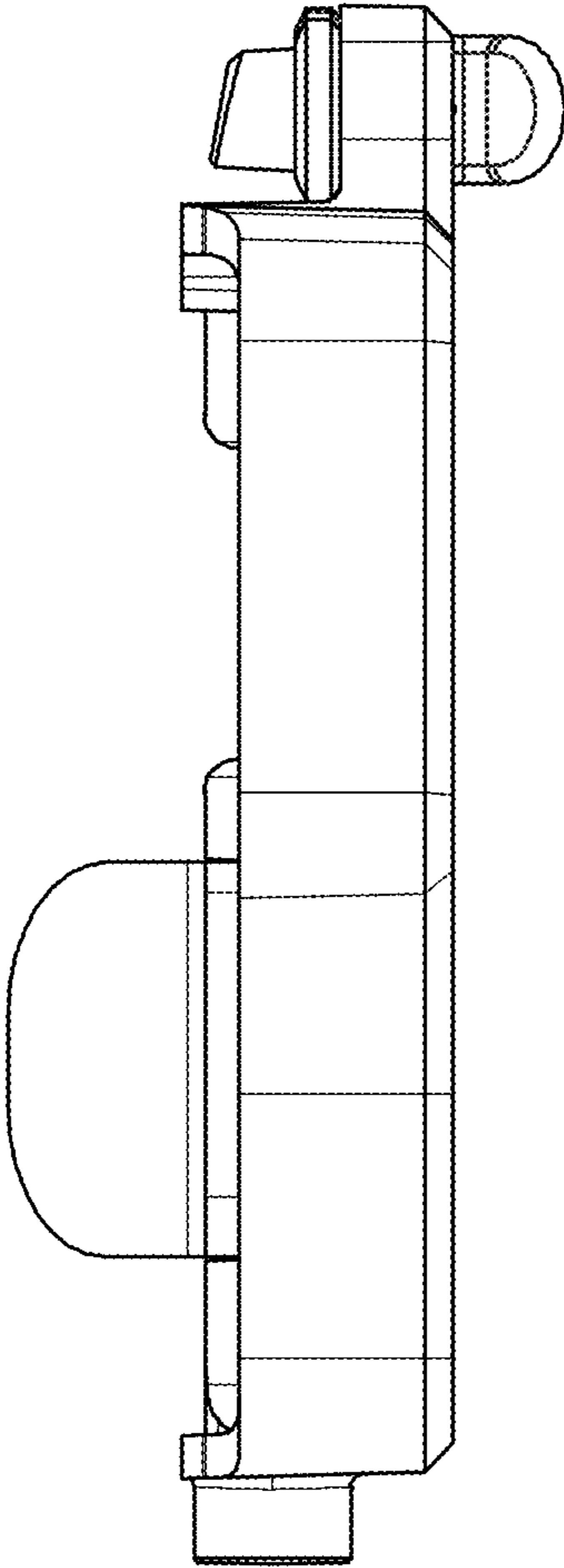


Fig. 2



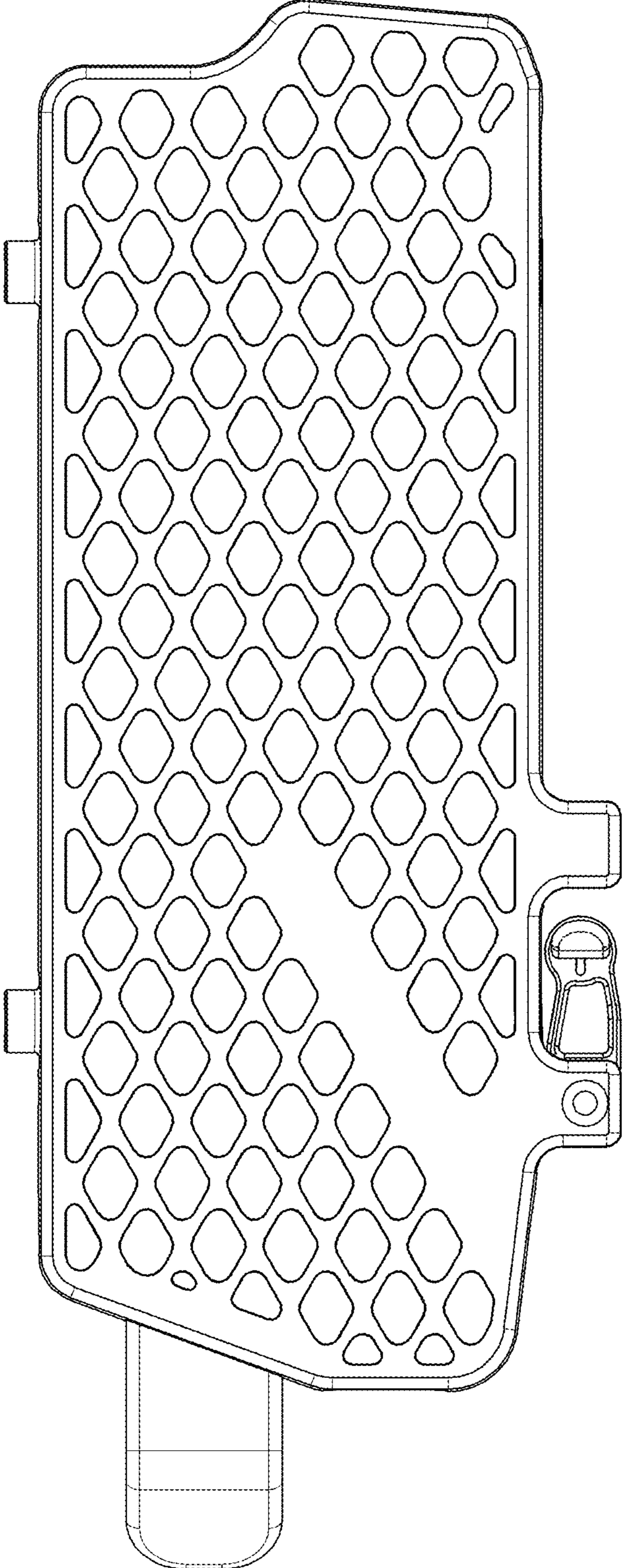


Fig. 3

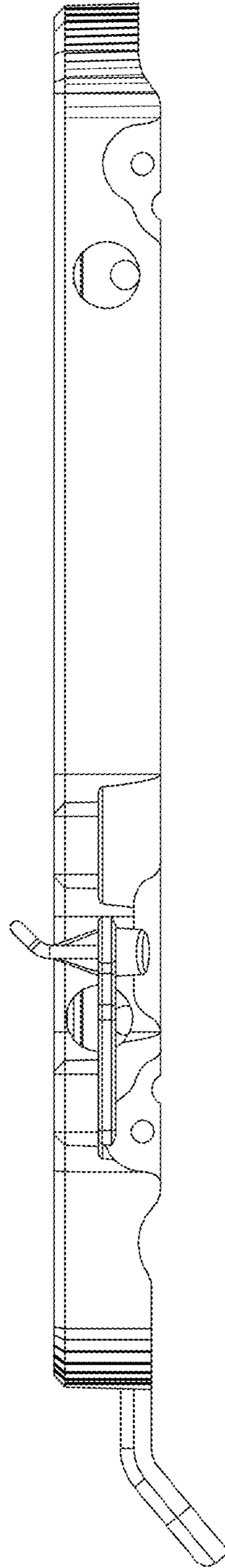


Fig. 4

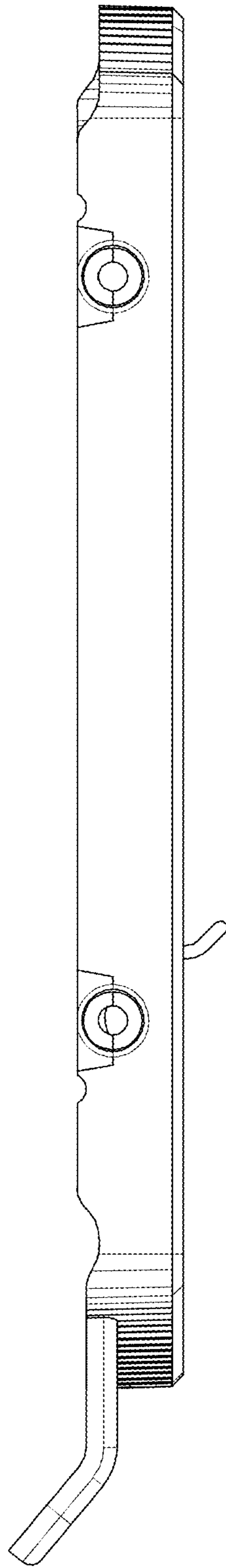


Fig. 5

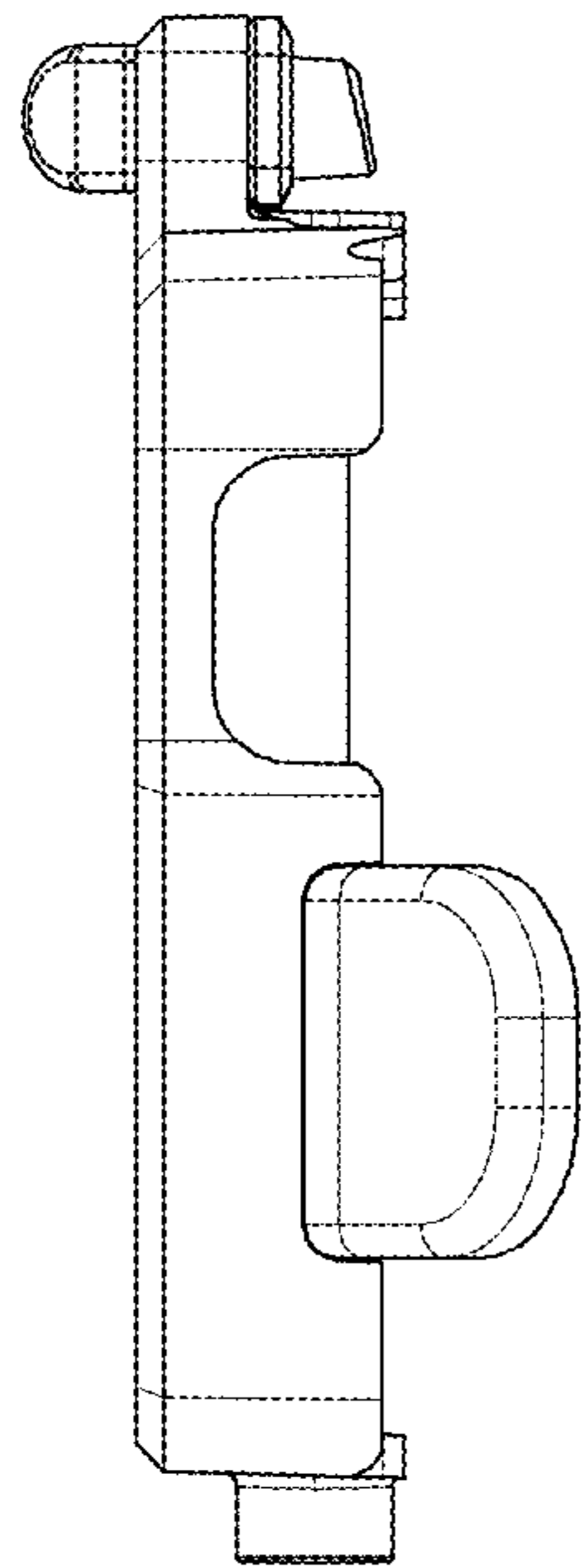


Fig. 6

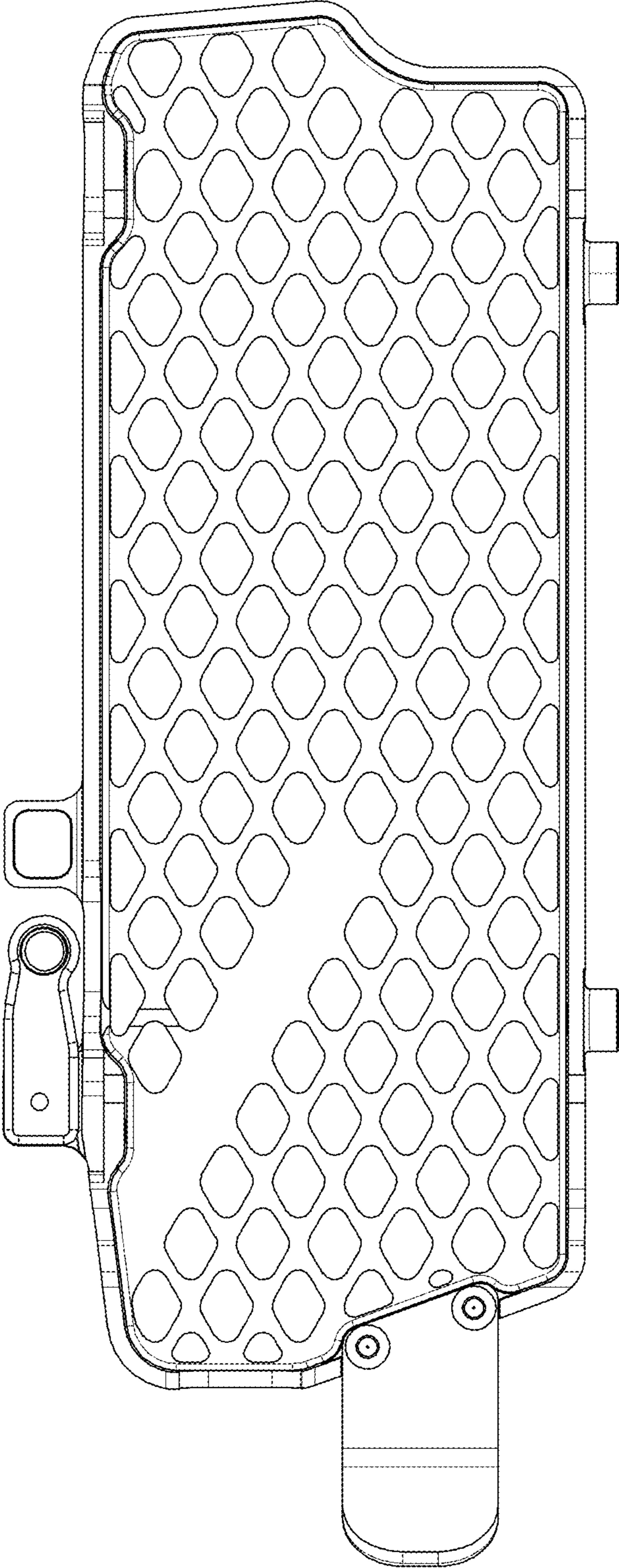


Fig. 7



UNITED STATES PATENT AND TRADEMARK OFFICE  
**CERTIFICATE OF CORRECTION**

PATENT NO. : D786,152 S  
APPLICATION NO. : 29/543868  
DATED : May 9, 2017  
INVENTOR(S) : Geoffrey Wotton and Mark Powell

Page 1 of 1

It is certified that error appears in the above-identified patent and that said Letters Patent is hereby corrected as shown below:

On the Title Page

Item (72), should read:  
Geoffrey Wotton, Battle Ground, WA  
Mark Powell, Camas, WA

Signed and Sealed this  
Twenty-seventh Day of June, 2017



Joseph Matal  
*Performing the Functions and Duties of the  
Under Secretary of Commerce for Intellectual Property and  
Director of the United States Patent and Trademark Office*